



US00D535310S

(12) **United States Design Patent**  
**Kuwae et al.**

(10) **Patent No.:** **US D535,310 S**  
(45) **Date of Patent:** **\*\* Jan. 16, 2007**

(54) **CABIN OF A TRACTOR**  
(75) Inventors: **Junta Kuwae**, Sakai (JP); **Tomeo Umemoto**, Osaka (JP); **Koichi Hasegawa**, Kobe (JP)  
(73) Assignee: **Kubota Corporation**, Osaka (JP)  
(\*\*) Term: **14 Years**

D297,142 S \* 8/1988 Funabashi et al. .... D15/30  
D297,329 S \* 8/1988 Monehaie et al. .... D15/30  
D304,589 S \* 11/1989 Lanphere et al. .... D15/30  
D312,827 S \* 12/1990 Boddin et al. .... D15/30  
D317,011 S \* 5/1991 Boddin et al. .... D15/30  
D384,358 S \* 9/1997 Smith ..... D15/30  
D439,586 S \* 3/2001 Moehle et al. .... D15/33  
D497,920 S \* 11/2004 Antonetti ..... D15/30

\* cited by examiner

(21) Appl. No.: **29/241,506**  
(22) Filed: **Oct. 27, 2005**

*Primary Examiner*—Mitchell Siegel  
*Assistant Examiner*—Mark Goodwin  
(74) *Attorney, Agent, or Firm*—The Webb Law Firm

(30) **Foreign Application Priority Data**

Sep. 28, 2005 (JP) ..... 2005-028071

(51) **LOC (8) Cl.** ..... **15-03**  
(52) **U.S. Cl.** ..... **D15/30**  
(58) **Field of Classification Search** ..... D15/10,  
D15/22–26, 28, 30, 31; 180/89.11, 89.12,  
180/89.13, 89.19, 900; 296/190.01, 190.08,  
296/210, 190, 202

See application file for complete search history.

(57) **CLAIM**

The ornamental design for a cabin of a tractor, as shown and described.

**DESCRIPTION**

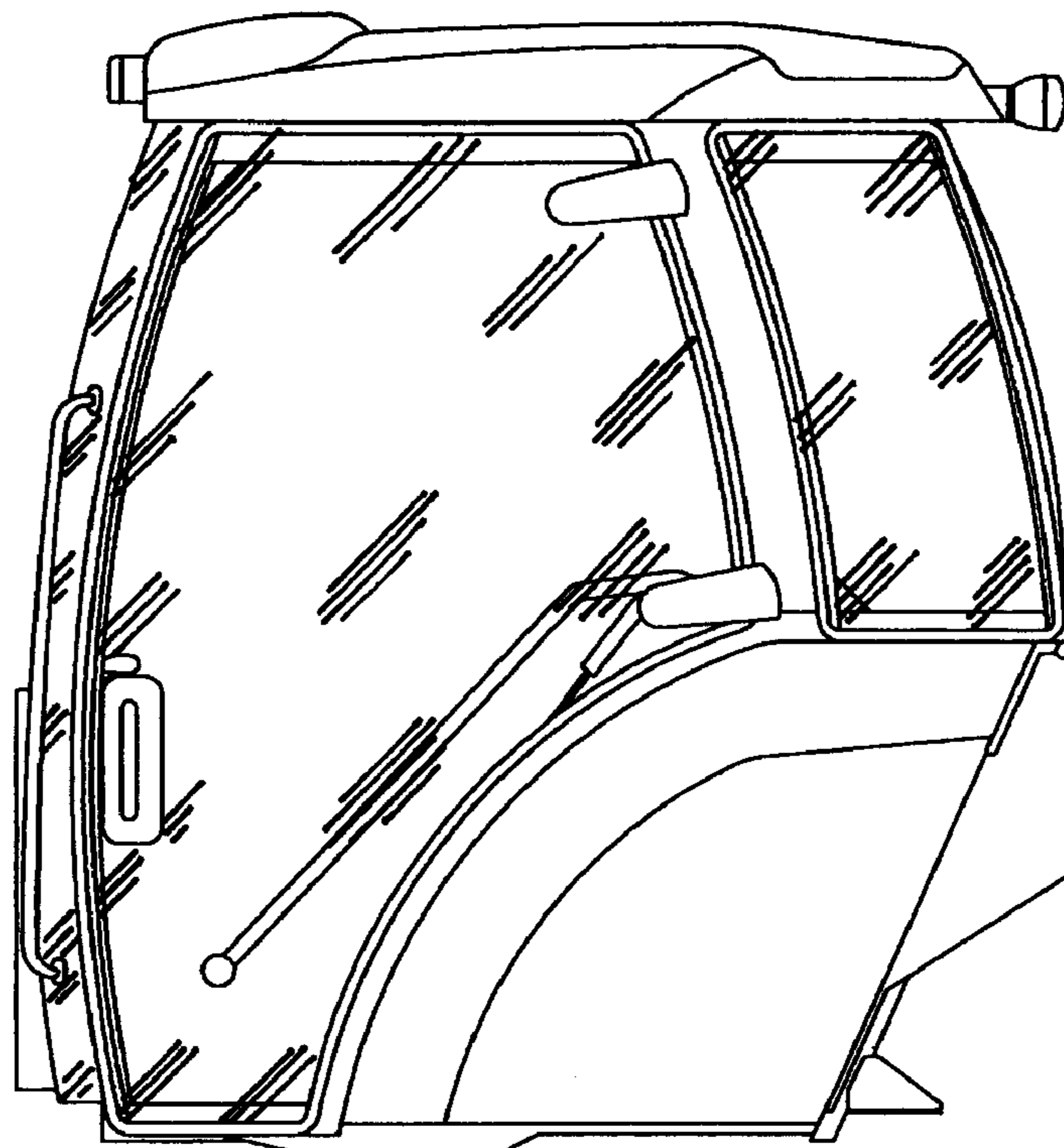
FIG. 1 is a right side view of a cabin of a tractor showing our new design; the left side view being a mirror image thereof; FIG. 2 is a front view thereof; FIG. 3 is a rear view thereof; FIG. 4 is a top view thereof; FIG. 5 is a bottom view thereof; and, FIG. 6 is a right side view with broken lines illustrating the environment in which the cabin is used. The broken lines showing the tractor in FIG. 6 are for illustrative purposes only and form no part of the claimed design.

(56) **References Cited**

**U.S. PATENT DOCUMENTS**

D245,697 S \* 9/1977 Skyer et al. .... D15/30  
D245,698 S \* 9/1977 Skyer et al. .... D15/30  
D249,523 S \* 9/1978 Segales ..... D15/30  
D258,823 S \* 4/1981 Skyer et al. .... D15/30  
D275,199 S \* 8/1984 Schmidt et al. .... D15/30

**1 Claim, 6 Drawing Sheets**



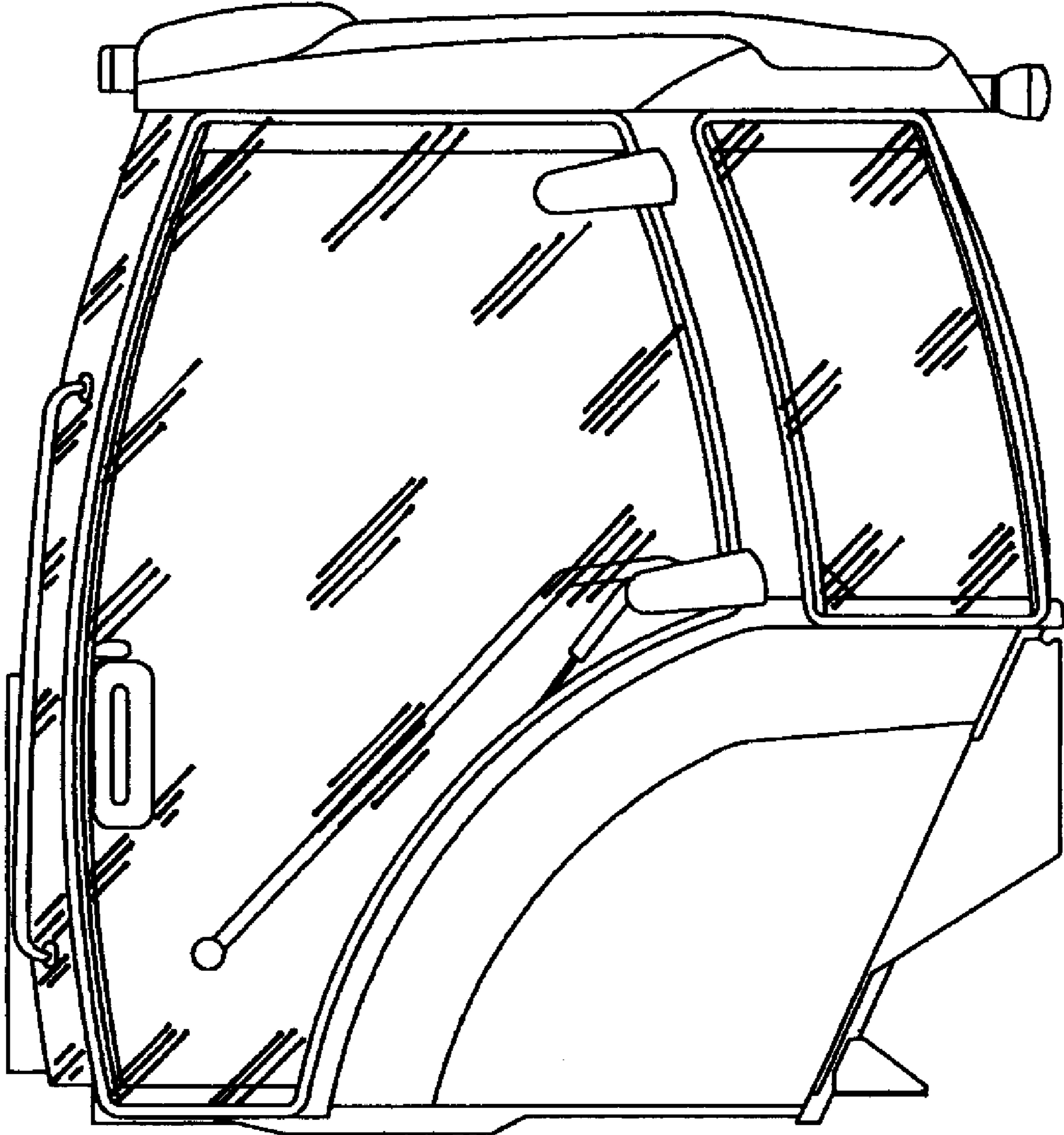


Fig. 1

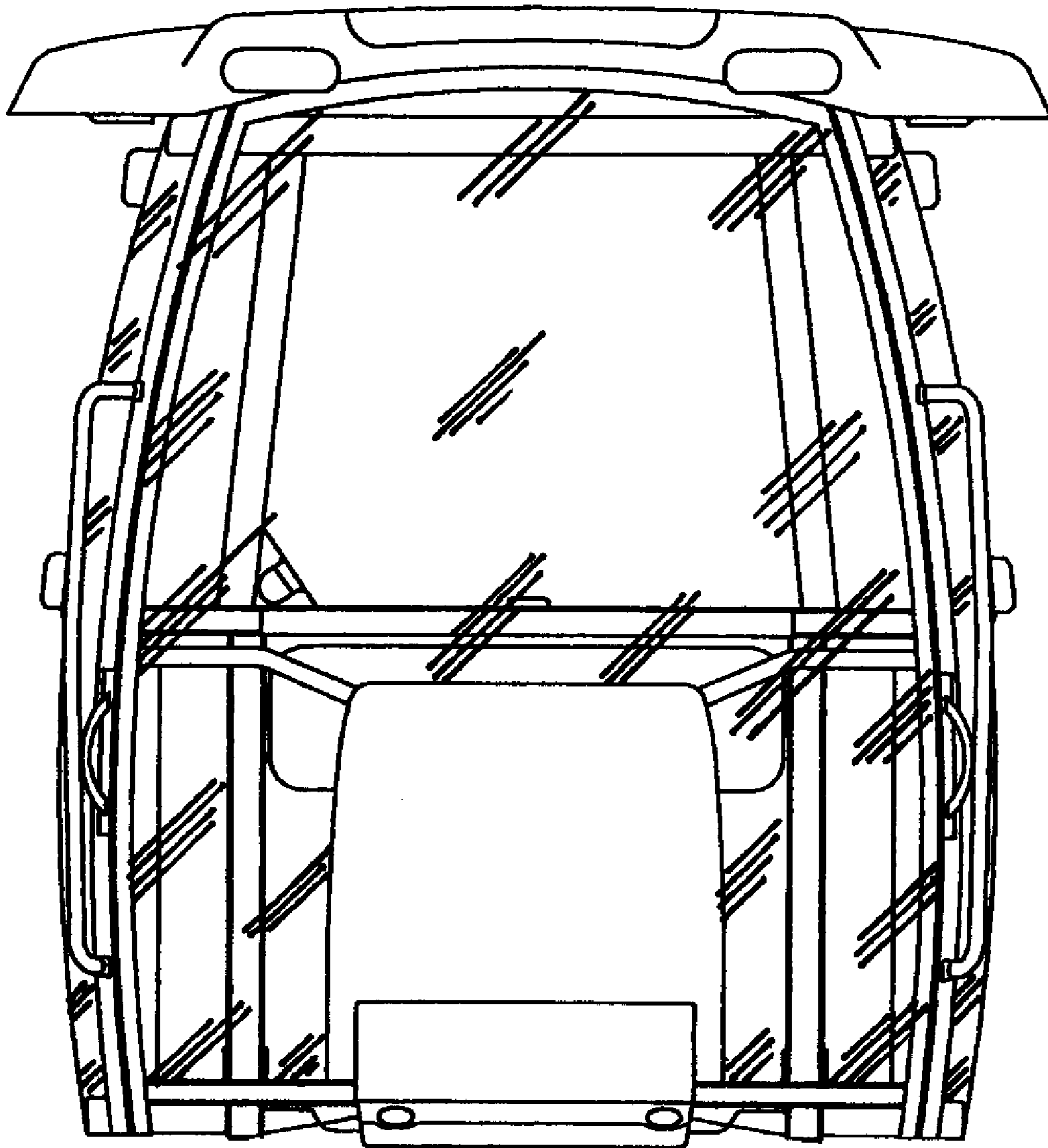


Fig.2

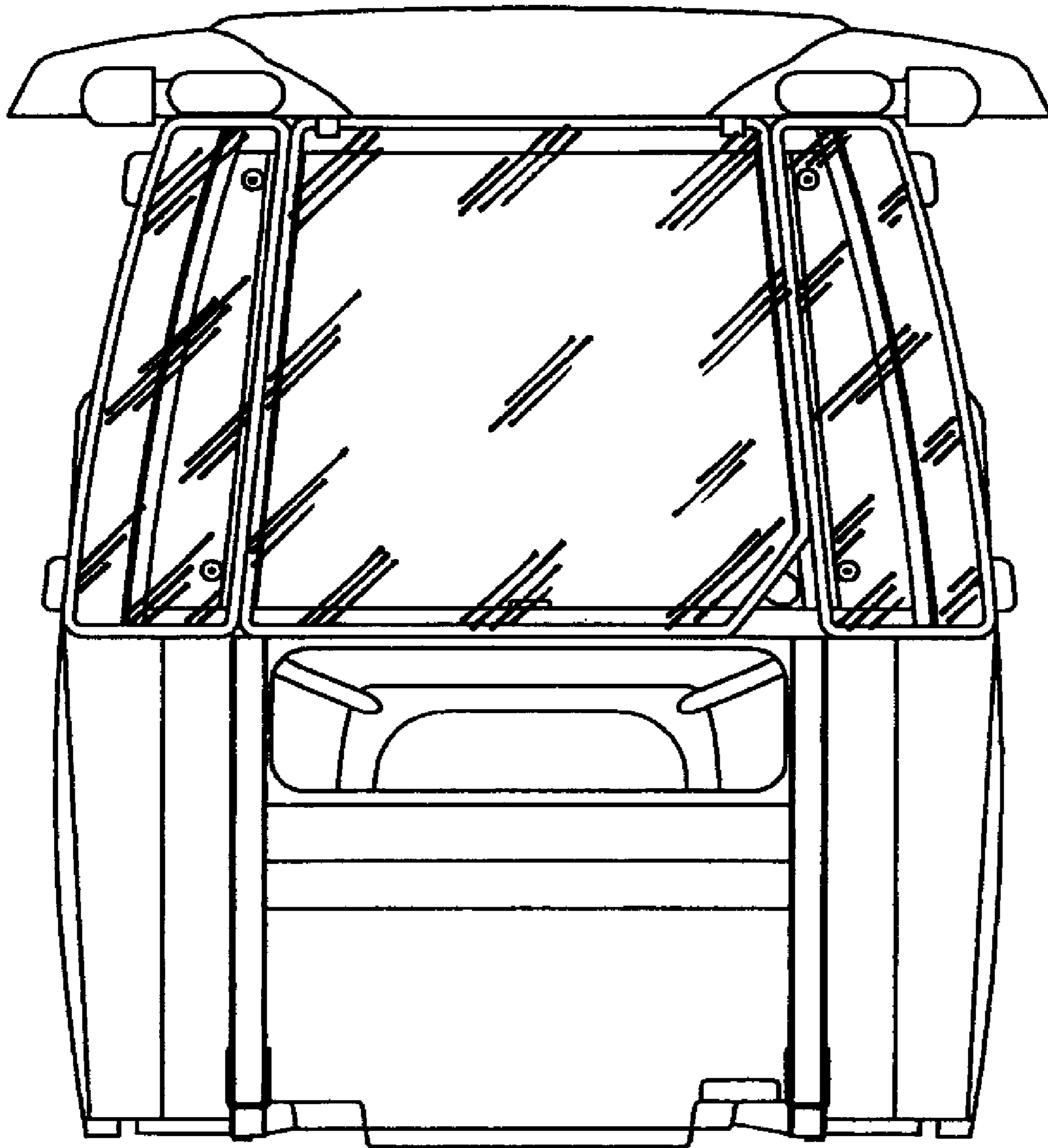


Fig. 3

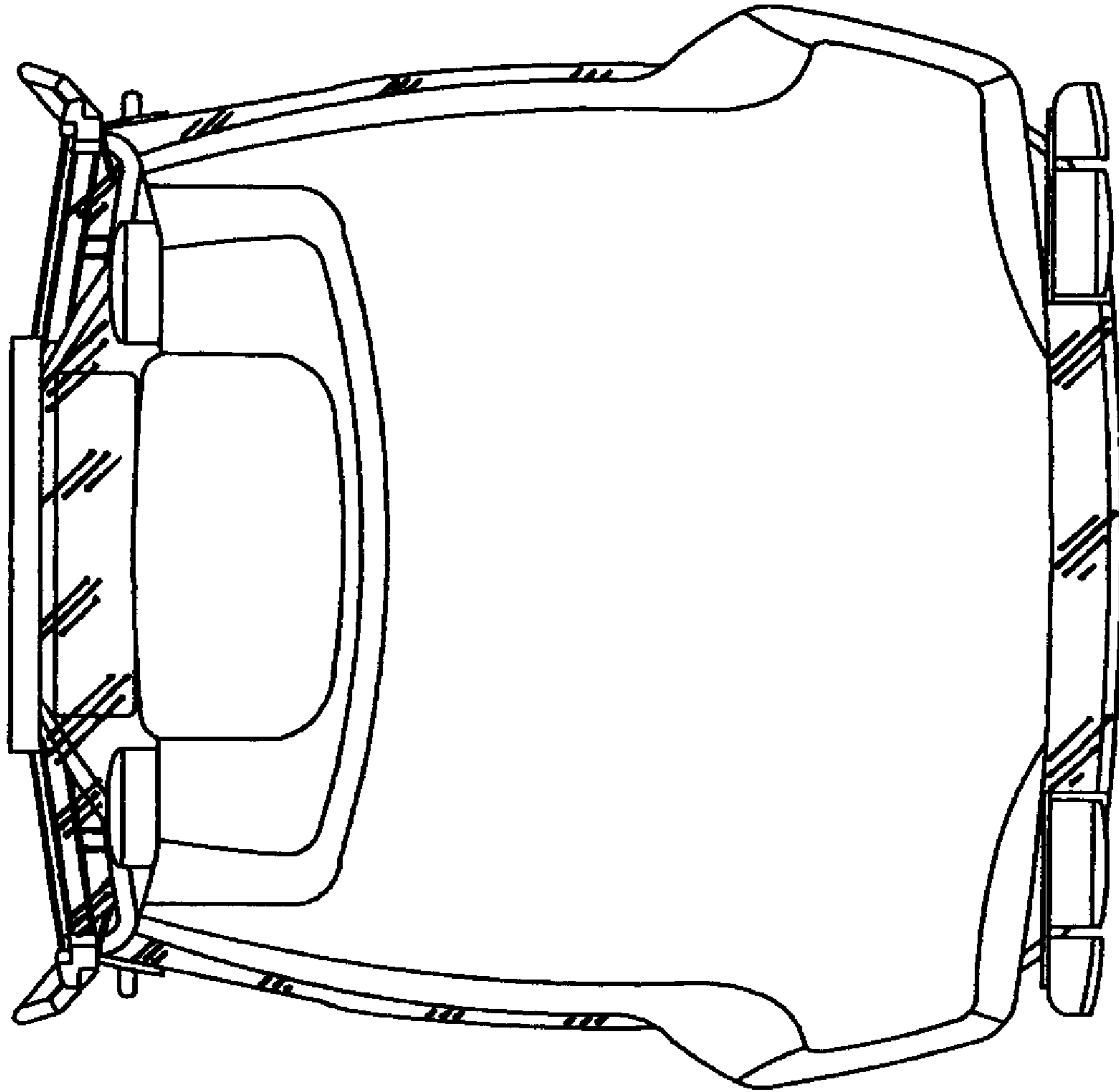


Fig. 4

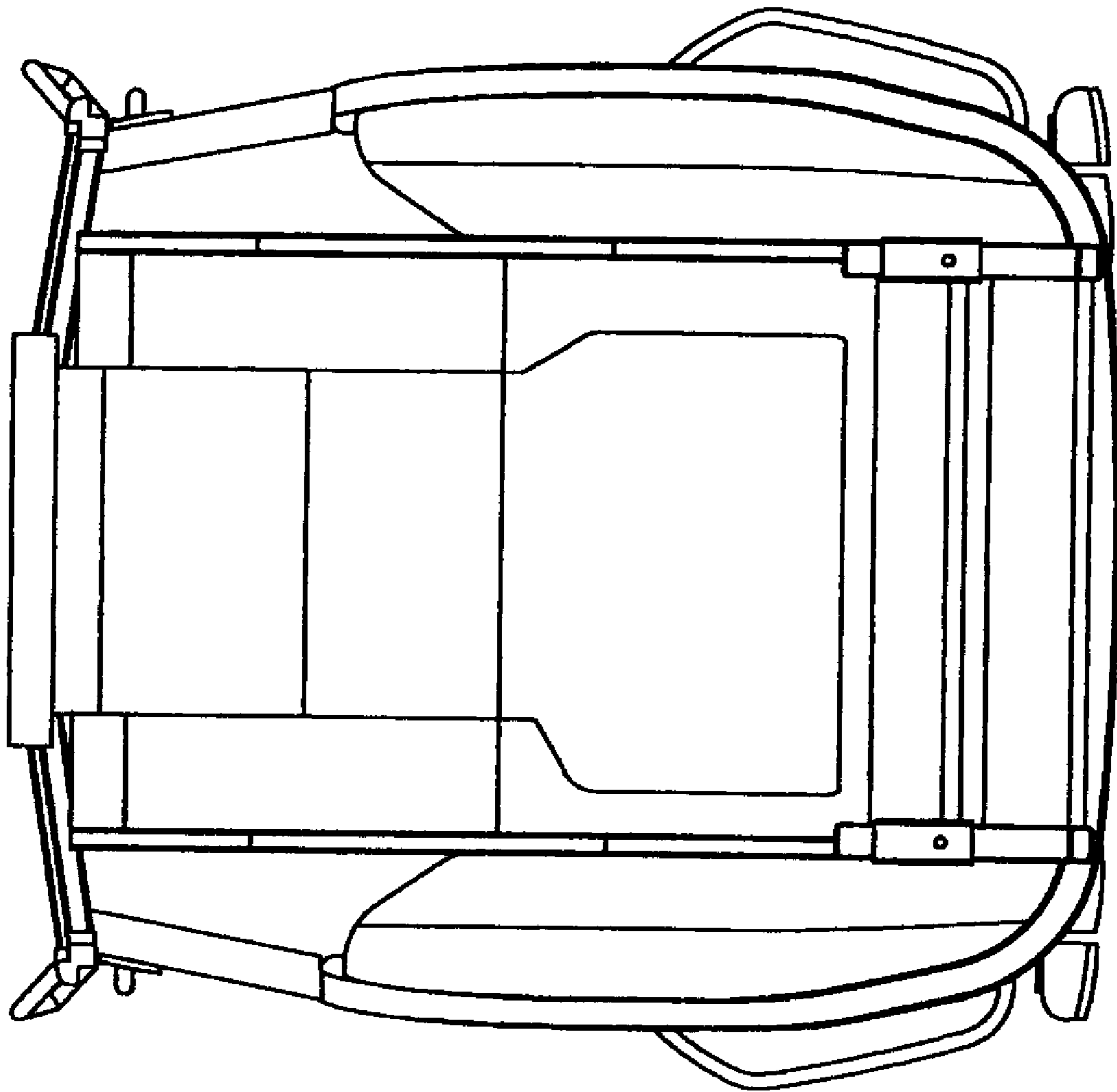


Fig. 5

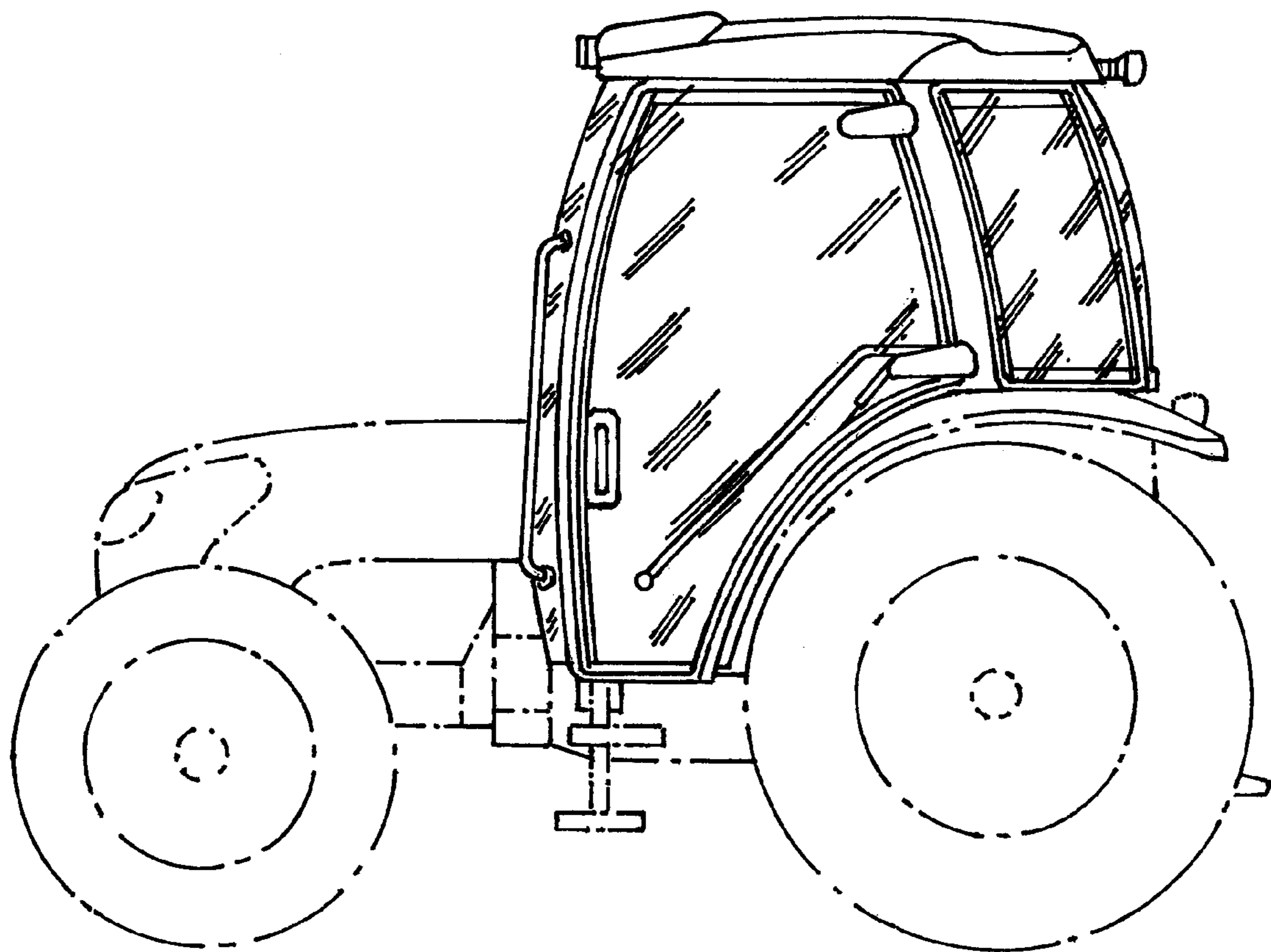


Fig. 6