

US00D535309S

(12) **United States Design Patent**  
**Breecham et al.**

(10) **Patent No.:** **US D535,309 S**

(45) **Date of Patent:** **\*\* Jan. 16, 2007**

(54) **AIR COMPRESSOR SHROUD**

D446,792 S \* 8/2001 Matthew et al. .... D15/9  
D508,497 S \* 8/2005 Leasure et al. .... D15/9  
D519,126 S \* 4/2006 Leasure et al. .... D15/9

(75) Inventors: **Larry Breecham**, Lexington, TN (US);  
**Ann-Marie Conrado**, Oak Park, IL  
(US); **Pat McCormick**, Clarendon  
Hills, IL (US); **Jack Salzman**, Chicago,  
IL (US)

\* cited by examiner

*Primary Examiner*—Ralf Seifert

(74) *Attorney, Agent, or Firm*—Greer, Burns & Crain, Ltd.

(73) Assignee: **Midwest Air Technologies, Inc.**,  
Lincolnshire, IL (US)

(57) **CLAIM**

The ornamental design for an air compressor shroud, as  
shown and described.

(\*\*) Term: **14 Years**

**DESCRIPTION**

(21) Appl. No.: **29/243,784**

FIG. 1 is an elevated perspective view of the present air  
compressor shroud;

(22) Filed: **Nov. 30, 2005**

FIG. 2 is a front view thereof;

(51) **LOC (8) Cl.** ..... **15-02**

FIG. 3 is a rear view thereof;

(52) **U.S. Cl.** ..... **D15/9**

FIG. 4 is a right side view thereof;

(58) **Field of Classification Search** ..... D15/7-9;  
D23/232, 231; 417/359, 415-416, 410.1,  
417/321, 265, 405

FIG. 5 is a left side view thereof;

FIG. 6 is a top view thereof; and,

FIG. 7 is a bottom view thereof.

See application file for complete search history.

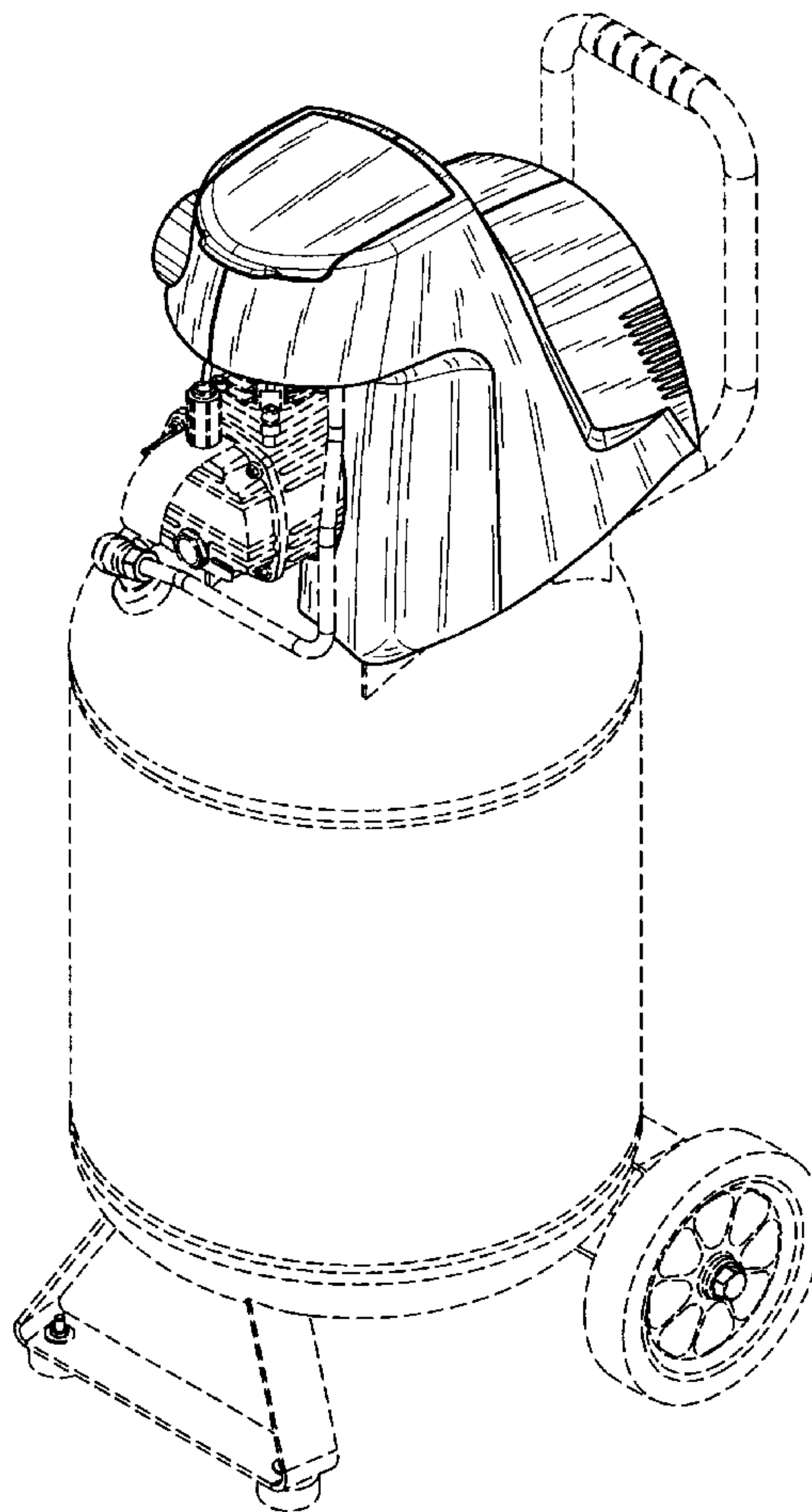
The broken line showing of FIGS. 1-7 is for illustrative  
purposes only and forms no part of the claimed design or a  
specified embodiment thereof.

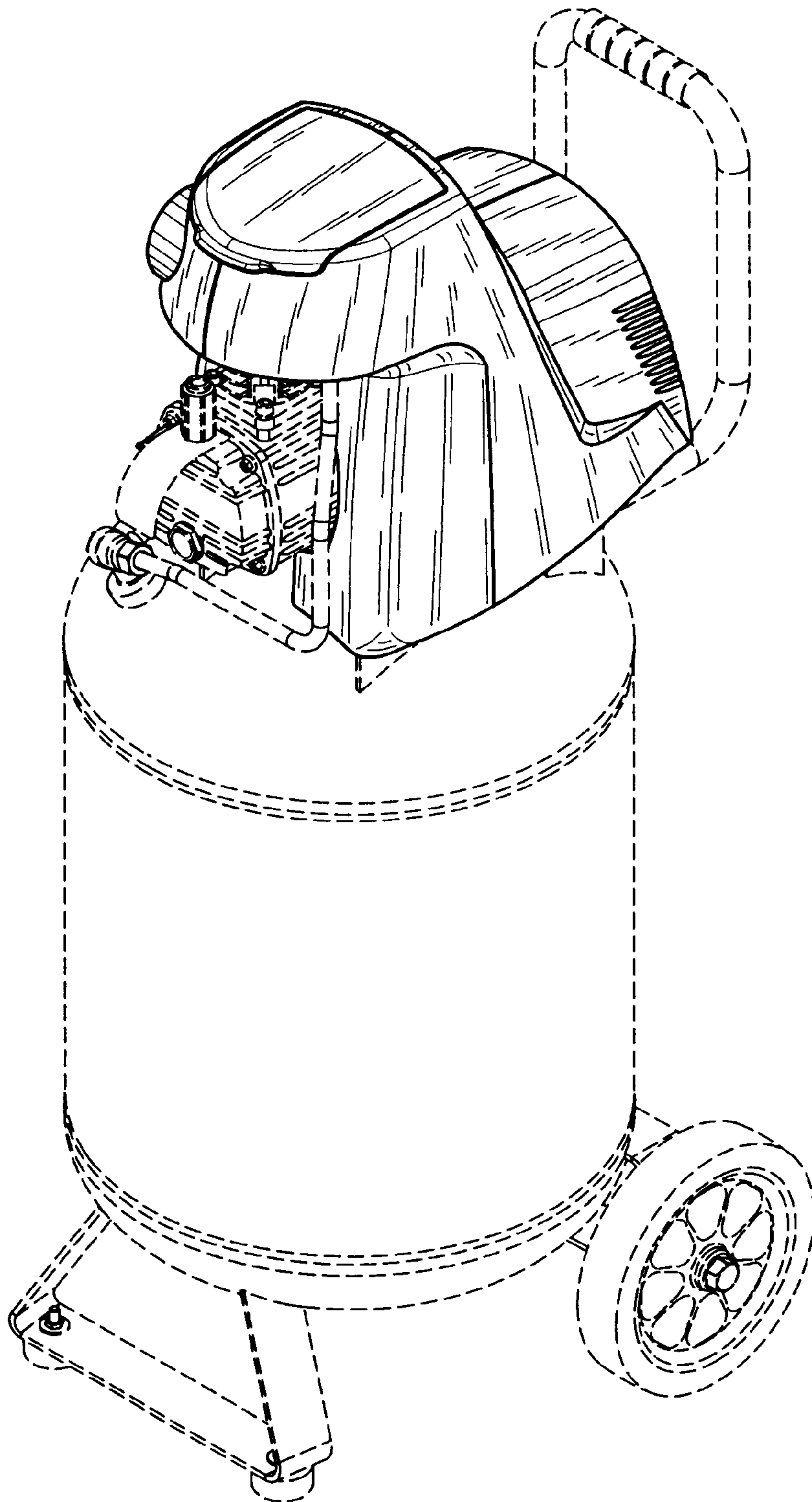
(56) **References Cited**

**U.S. PATENT DOCUMENTS**

D273,011 S \* 3/1984 Dudley ..... D15/9

**1 Claim, 6 Drawing Sheets**





**FIG. 1**

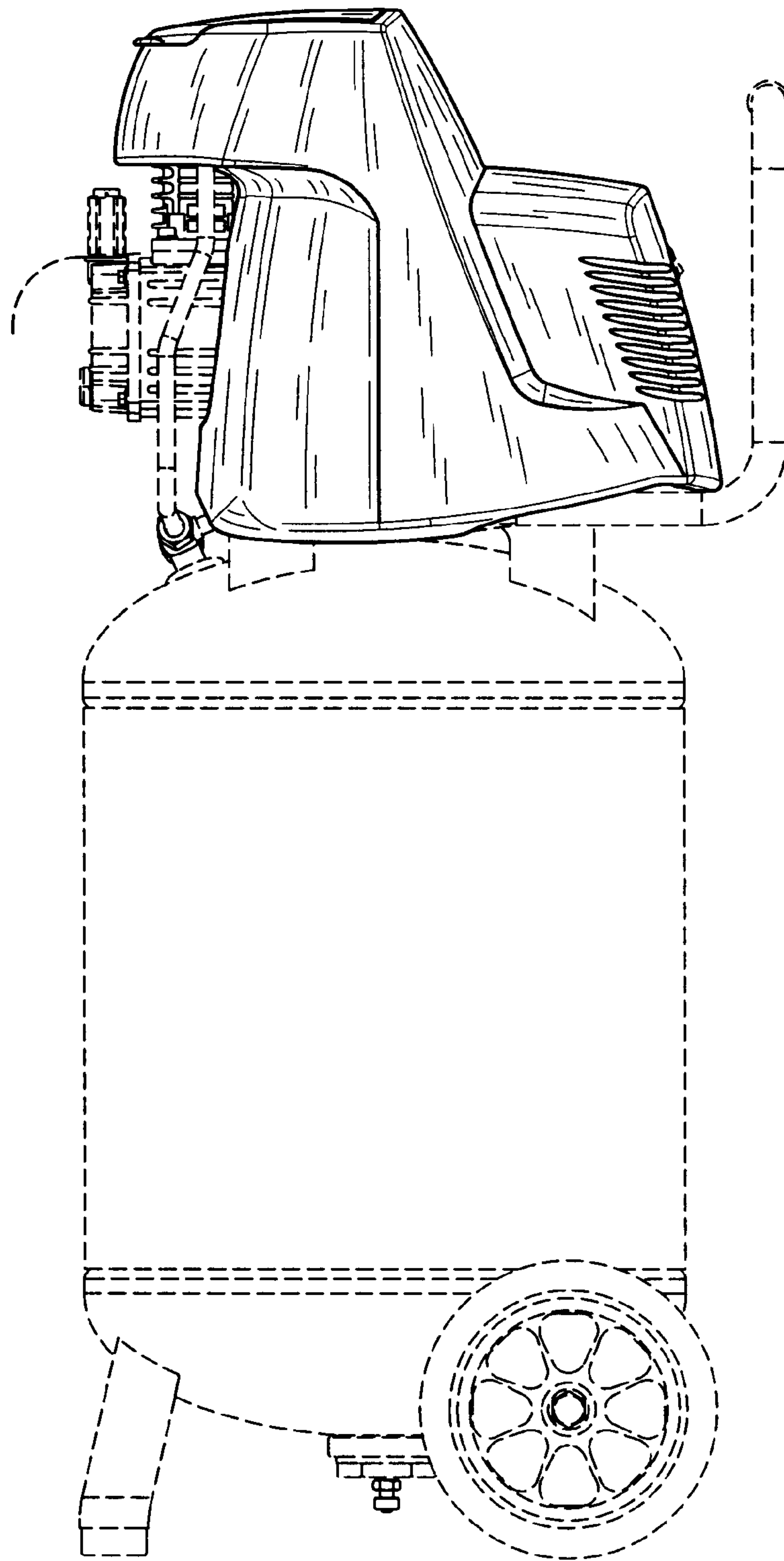


FIG. 2

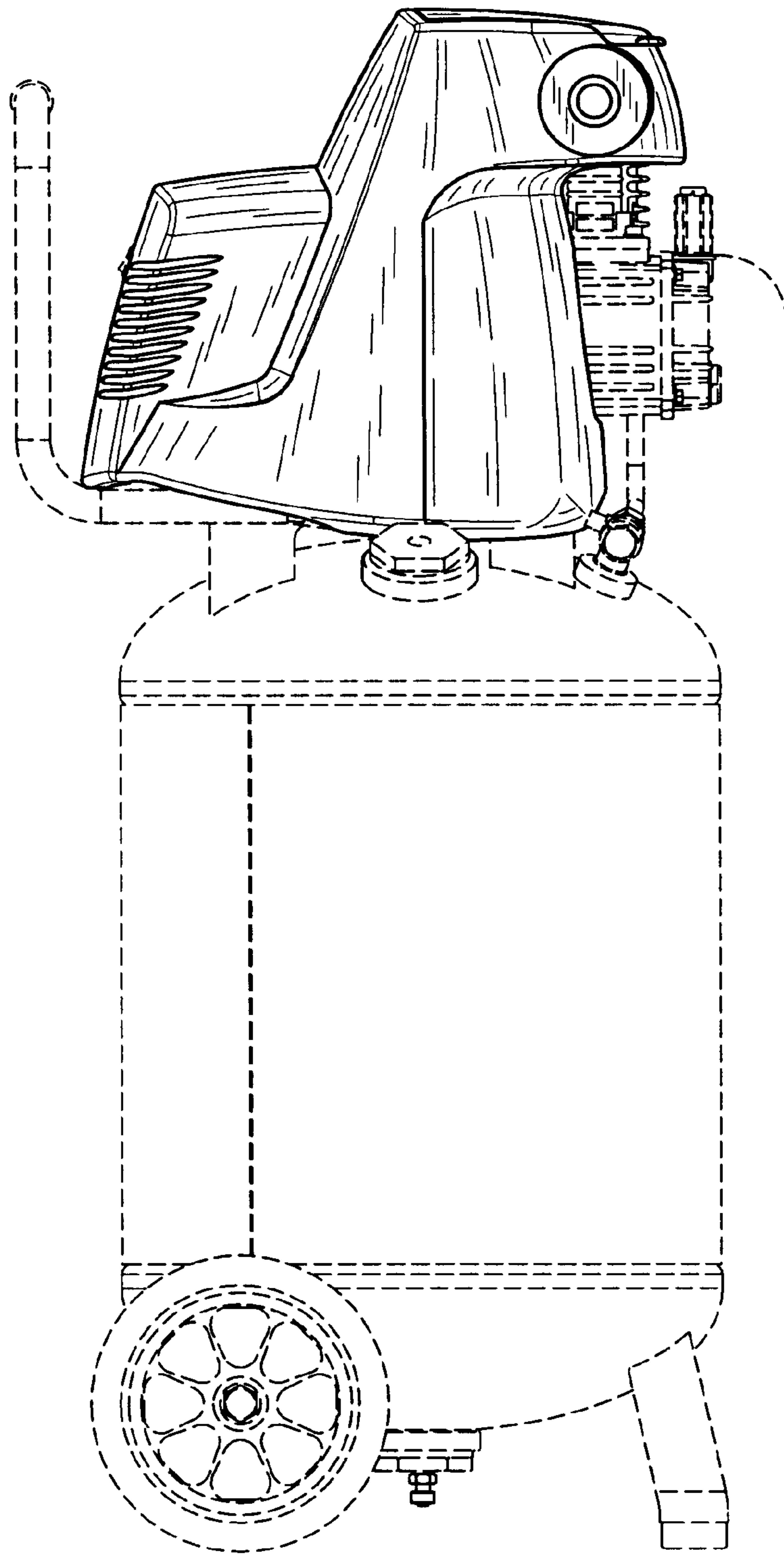


FIG. 3

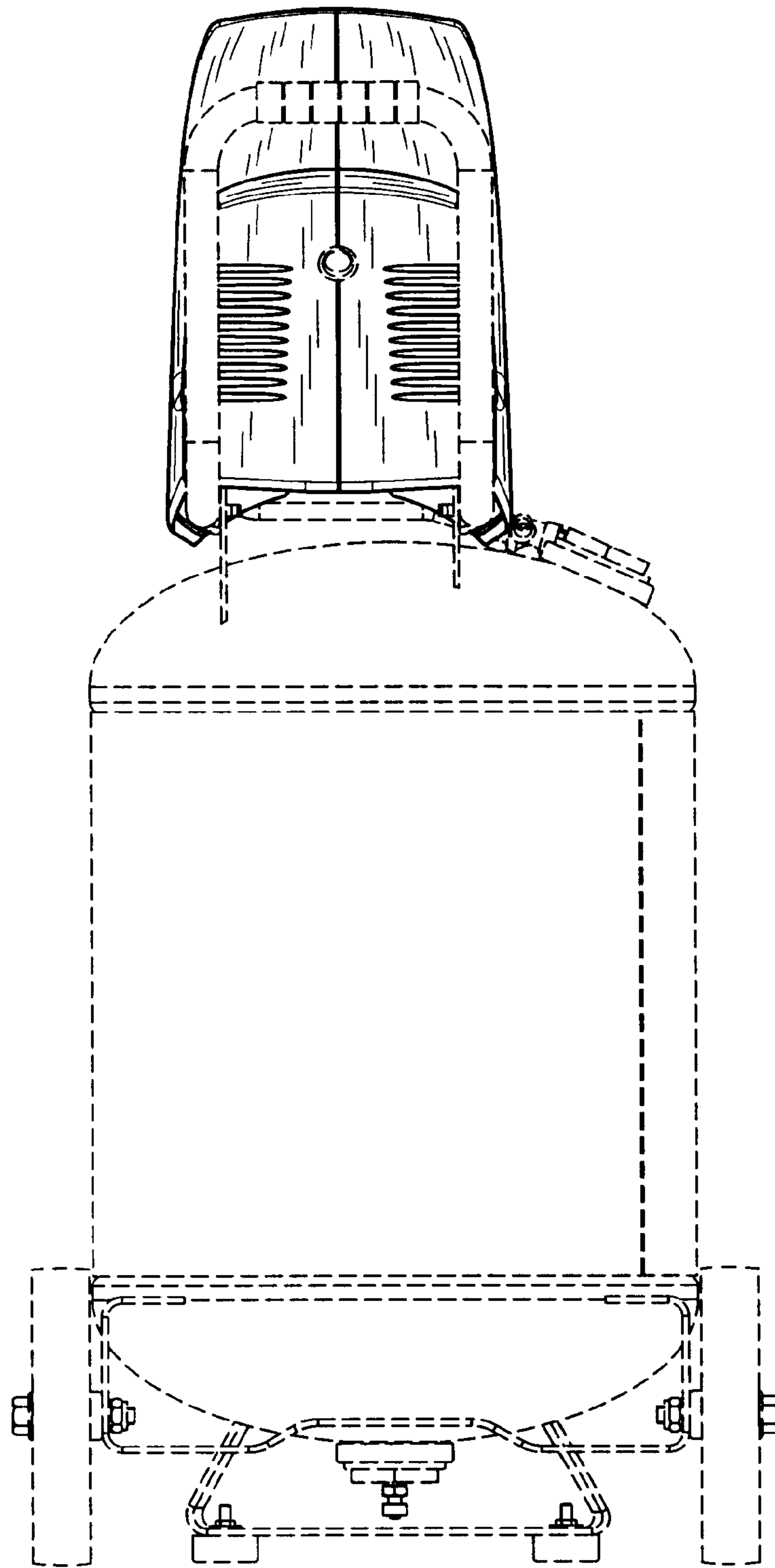


FIG. 4



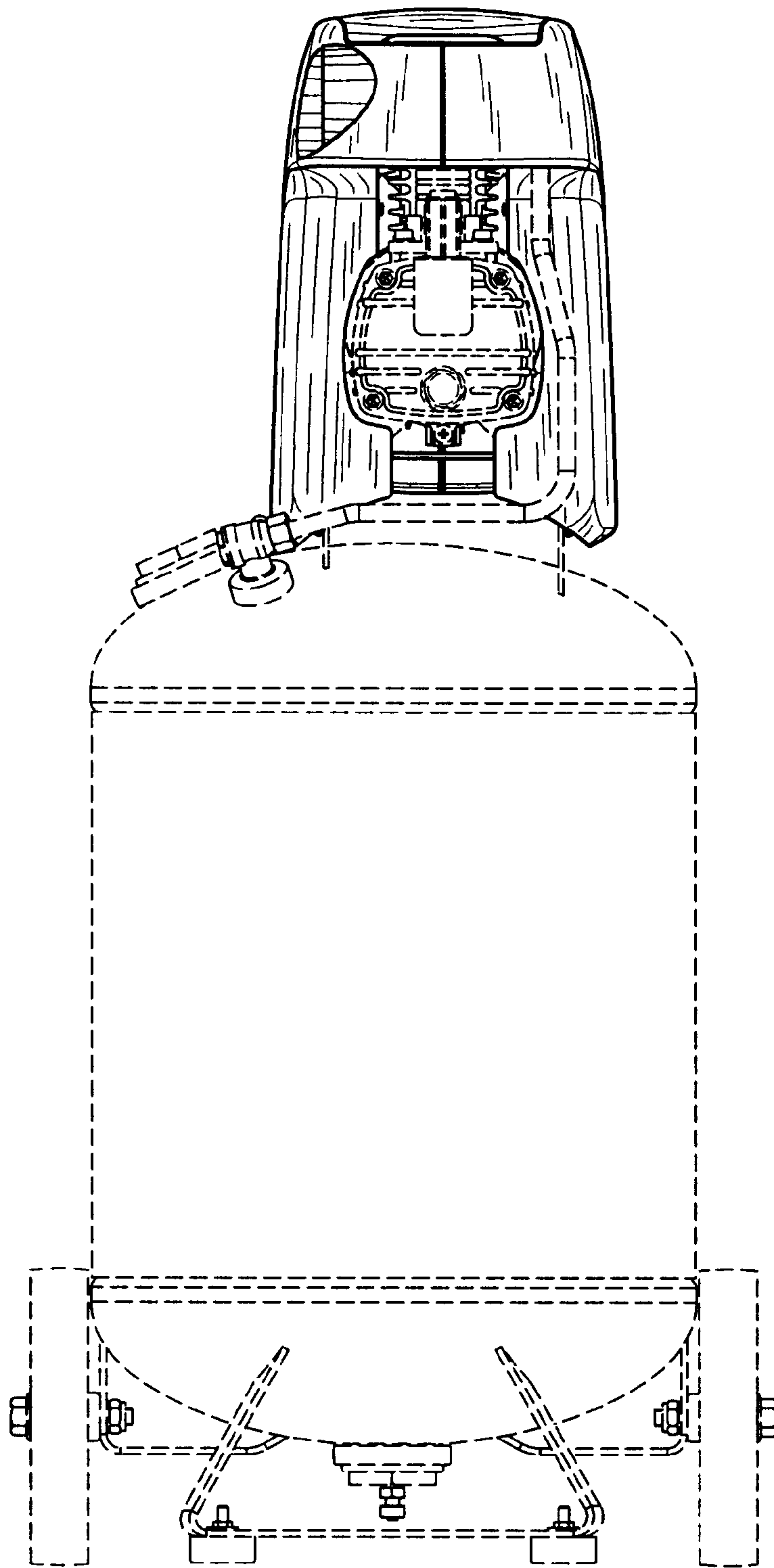


FIG. 5

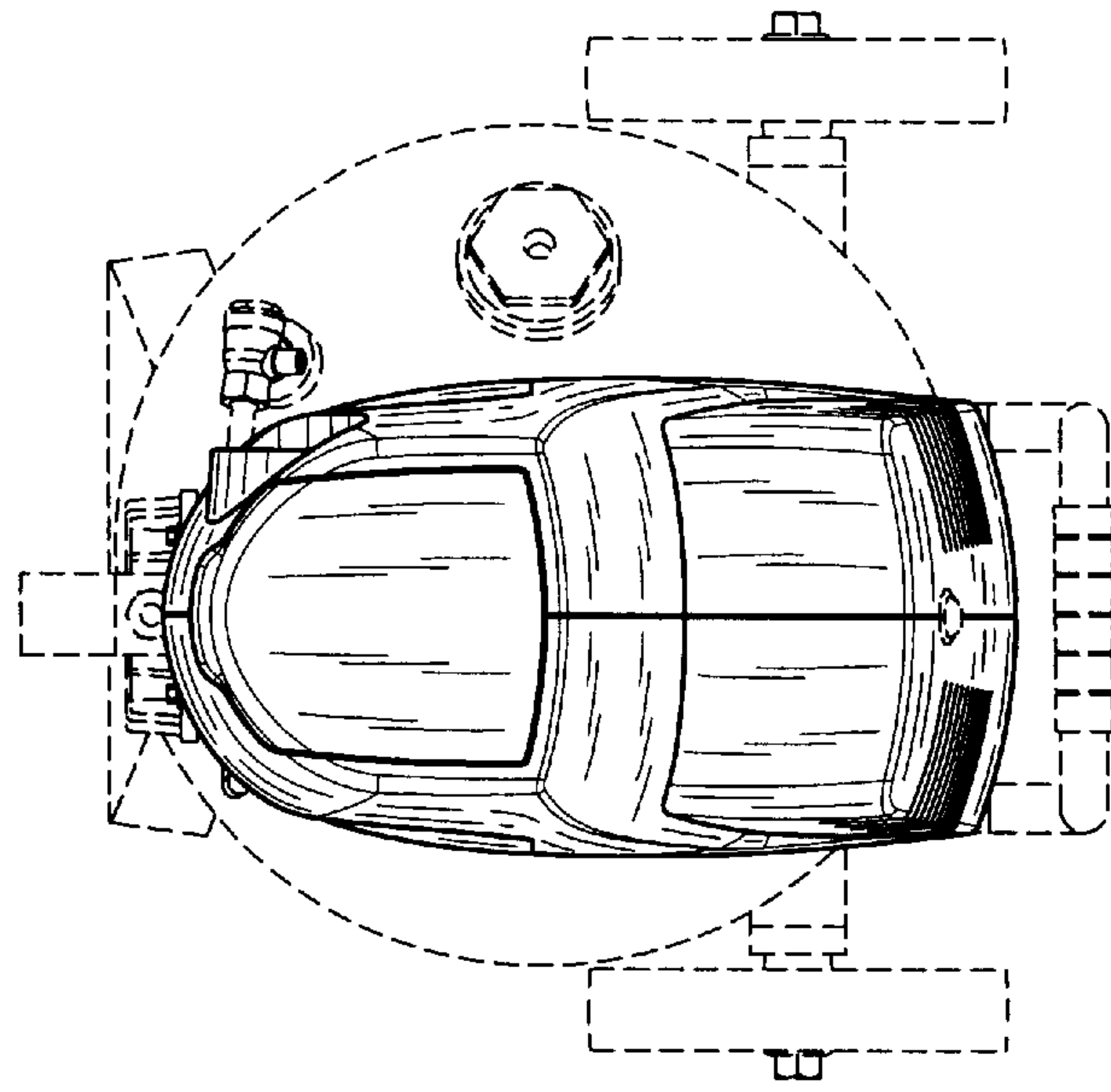


FIG. 6

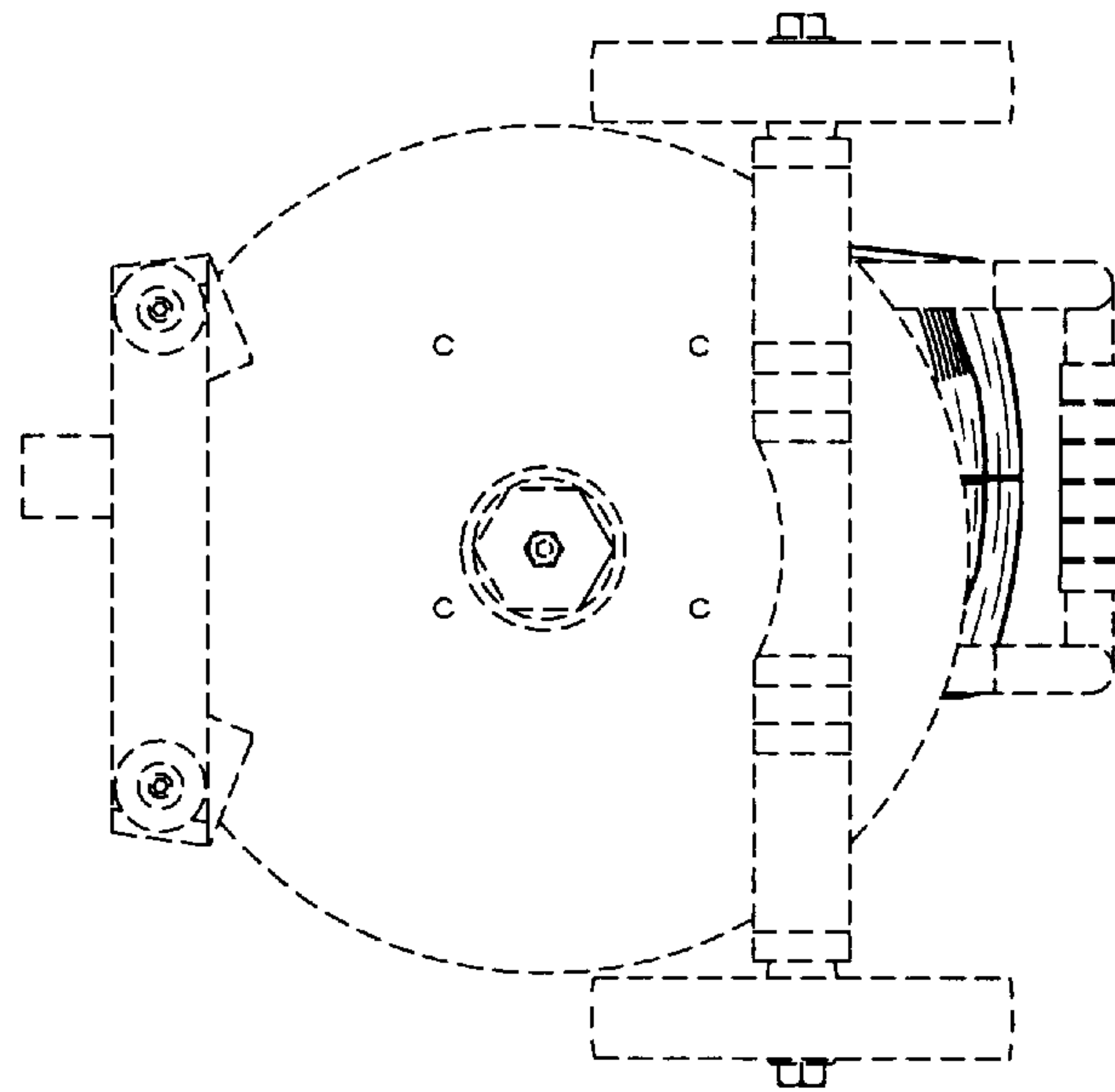


FIG. 7