



US00D535308S

(12) **United States Design Patent**  
**Andre et al.**

(10) **Patent No.:** **US D535,308 S**  
(45) **Date of Patent:** **\*\* Jan. 16, 2007**

(54) **MEDIA DEVICE**

5,859,594 A 1/1999 King et al.  
6,122,526 A 9/2000 Parulski et al.  
6,671,567 B1 12/2003 Dwyer et al.

(75) Inventors: **Bartley K. Andre**, Menlo Park, CA (US); **Daniel J. Coster**, San Francisco, CA (US); **Daniele De Iuliis**, San Francisco, CA (US); **Richard P. Howarth**, San Francisco, CA (US); **Steve Jobs**, Palo Alto, CA (US); **Jonathan P. Ive**, San Francisco, CA (US); **Duncan Robert Kerr**, San Francisco, CA (US); **Shin Nishibori**, San Francisco, CA (US); **Matthew Dean Rohrbach**, San Francisco, CA (US); **Douglas B. Satzger**, Menlo Park, CA (US); **Calvin Q. Seid**, Palo Alto, CA (US); **Christopher J. Stringer**, Portola Valley, CA (US); **Eugene Antony Whang**, San Francisco, CA (US); **Rico Zörkendörfer**, San Francisco, CA (US)

(Continued)

**FOREIGN PATENT DOCUMENTS**

JP D1085073 9/2000  
JP D1085080 9/2000

(Continued)

**OTHER PUBLICATIONS**

“Notification of Reason(s) for Refusal,” in corresponding Japanese Design Application No. 2005–11833.

(Continued)

*Primary Examiner*—Prabhakar Deshmukh  
(74) *Attorney, Agent, or Firm*—Beyer Weaver & Thomas, LLP

(73) Assignee: **Apple Computer, Inc.**, Cupertino, CA (US)

(57) **CLAIM**

We claim the ornamental design for a media device, substantially as shown and described.

(\*\*) Term: **14 Years**

(21) Appl. No.: **29/257,238**

**DESCRIPTION**

(22) Filed: **Mar. 31, 2006**

**Related U.S. Application Data**

(63) Continuation of application No. 29/220,038, filed on Dec. 23, 2004.

(51) **LOC (8) Cl.** ..... **14-03**

(52) **U.S. Cl.** ..... **D14/496**

(58) **Field of Classification Search** ..... D14/496,  
D14/483, 156–158, 135, 136, 160–165, 192,  
D14/217, 474; 369/1, 6, 12, 83, 24.01, 273,  
369/75.11; 370/342–345; 455/344–351; 273/148 B;  
463/1, 43–47

See application file for complete search history.

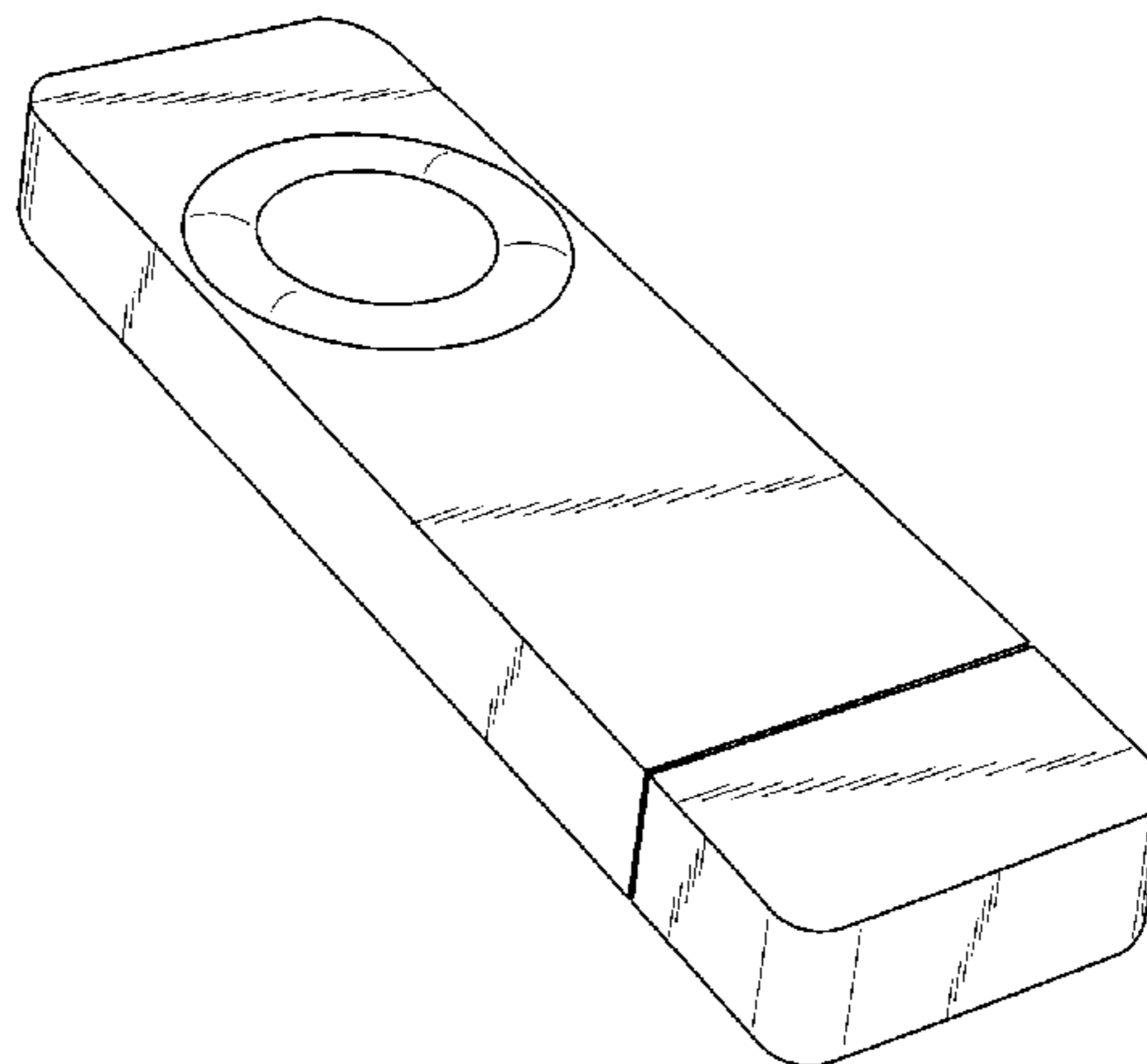
FIG. 1 is a perspective view of a media device showing our new design;  
FIG. 2 is an exploded perspective view thereof;  
FIG. 3 is a front elevational view thereof;  
FIG. 4 is a rear elevational view thereof;  
FIG. 5 is an exploded front elevational view thereof, with the cap removed;  
FIG. 6 is a left side elevational view thereof;  
FIG. 7 is a right side elevational view thereof;  
FIG. 8 is an exploded left side elevational view thereof, with the cap removed;  
FIG. 9 is a top plan view thereof;  
FIG. 10 is a bottom plan view, with the cap removed;  
FIG. 11 is a bottom plan view thereof, with the cap connected; and,  
FIG. 12 is a top plan view of the cap, showing it's inside.

(56) **References Cited**

**U.S. PATENT DOCUMENTS**

5,825,408 A 10/1998 Yuyama et al.

**1 Claim, 2 Drawing Sheets**



# US D535,308 S

Page 2

## U.S. PATENT DOCUMENTS

D494,188	S	8/2004	Huang	
6,791,907	B1	9/2004	Berhan	
D500,302	S	12/2004	Deguchi	
D500,485	S	1/2005	Deguchi	
D506,476	S	6/2005	Andre et al.	
D507,277	S	7/2005	Sitoh	
6,920,344	B1	7/2005	Jang	
D508,495	S	8/2005	Bone et al.	
D511,347	S	11/2005	Naruki	
D511,510	S	* 11/2005	Beasley et al.	D14/149
D513,011	S	* 12/2005	Johnson	D14/496
D516,576	S	3/2006	Andre et al.	
2004/0233646	A1	* 11/2004	Yen	361/752
2005/0109841	A1	* 5/2005	Ryan et al.	235/380
2006/0094301	A1	* 5/2006	Lee et al.	439/660

## FOREIGN PATENT DOCUMENTS

JP	D1089527	10/2000
JP	D1089528	10/2000
JP	D1089529	10/2000
JP	D1105429	4/2001
JP	D1106452	4/2001
JP	D1121650	9/2001
JP	D1123108	10/2001
JP	D1129386	12/2001
JP	D1129387	12/2001
JP	D1106151	8/2002
JP	D1089530	10/2002
JP	D1131037	10/2002

JP	D1154927	10/2002
JP	D1174623	6/2003
JP	D1174710	6/2003
JP	D1185408	9/2003
JP	D1188267	10/2003
JP	D1191223	12/2003
JP	D1193941	1/2004
JP	D1211811	7/2004
JP	D1211812	7/2004

## OTHER PUBLICATIONS

“ASCII” weekly publication issued on Jul. 29, 2003, No. 450, Design of USB Memory Audio Player (JPO Design No. HA15013509) by the National Center for Industrial Property Information.

U.S. Patent Application, Andre et al., *Media Device*, filed Feb. 25, 2005, U.S. Appl. No. 29/224,220.

Office Action from the Taiwanese Intellectual Property Office re: Taiwanese Design Application No. 94302098, Mar. 1, 2006.

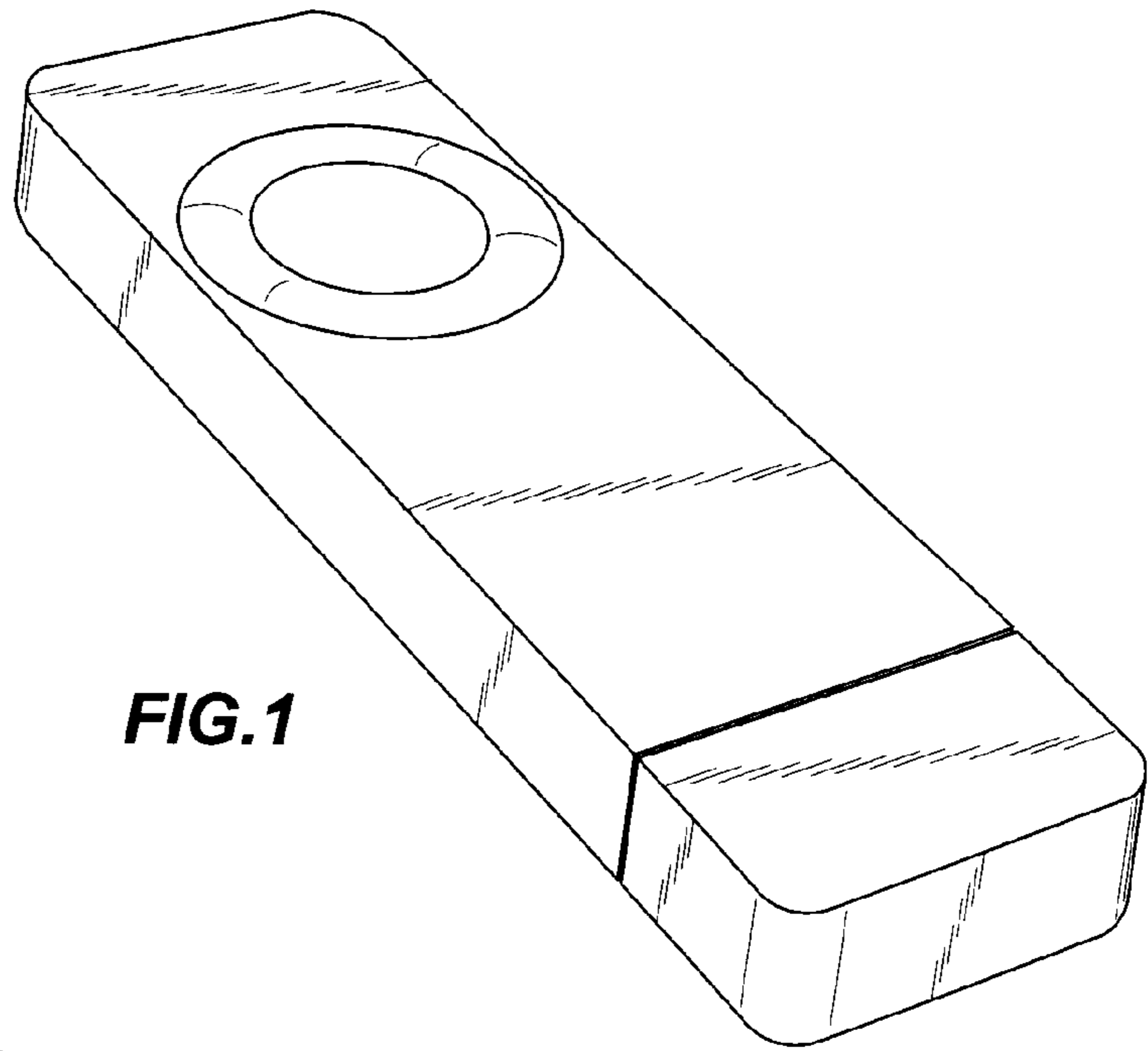
“PC2000,” May 2002, p. 84.

U.S. Patent Application, Andre et al., *Electronic Device*, filed Dec. 23, 2004, U.S. Appl. No. 29/220,120.

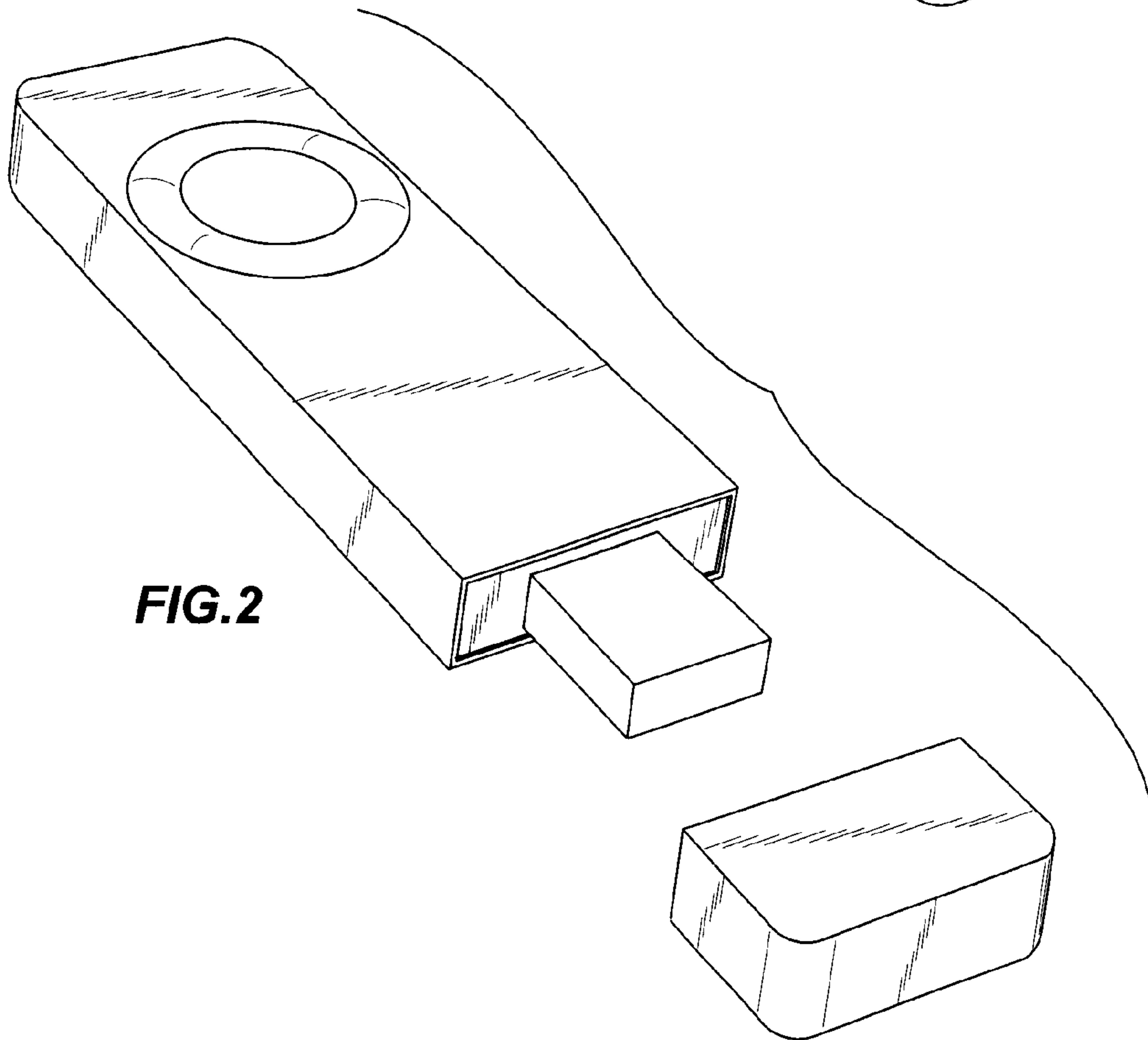
U.S. Patent Application, Andre et al., *Media Device*, filed Dec. 23, 2004, U.S. Appl. No. 29/220,038.

U.S. Patent Application, Andre et al., *Electronic Device*, filed Dec. 23, 2004, U.S. Appl. No. 29/220,035.

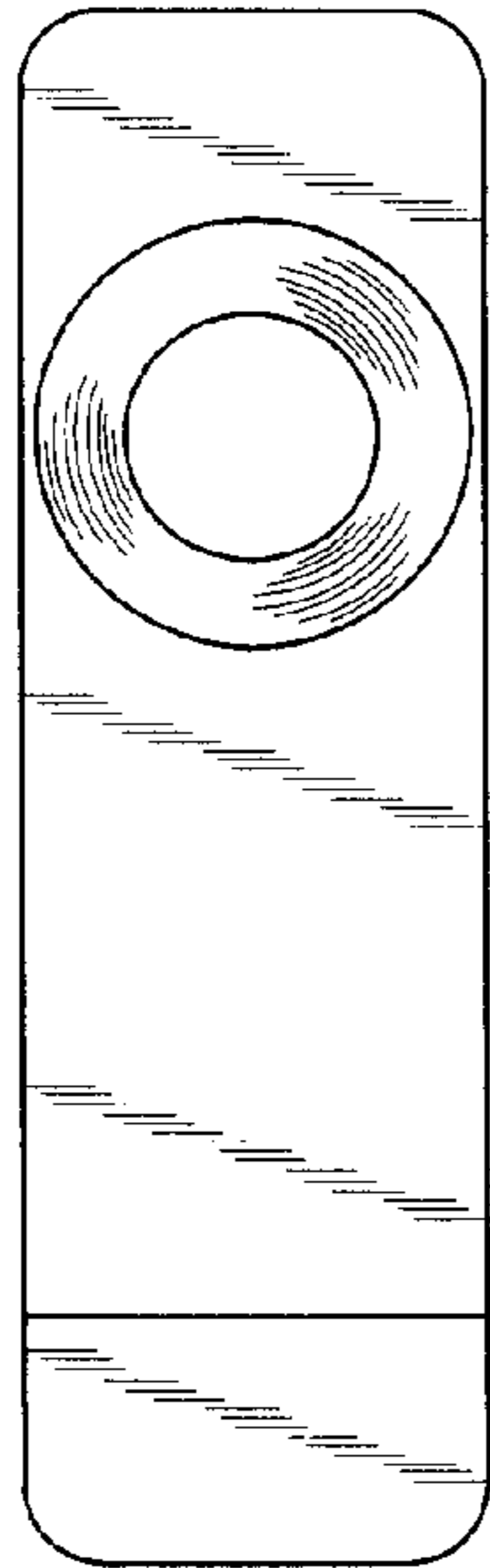
\* cited by examiner



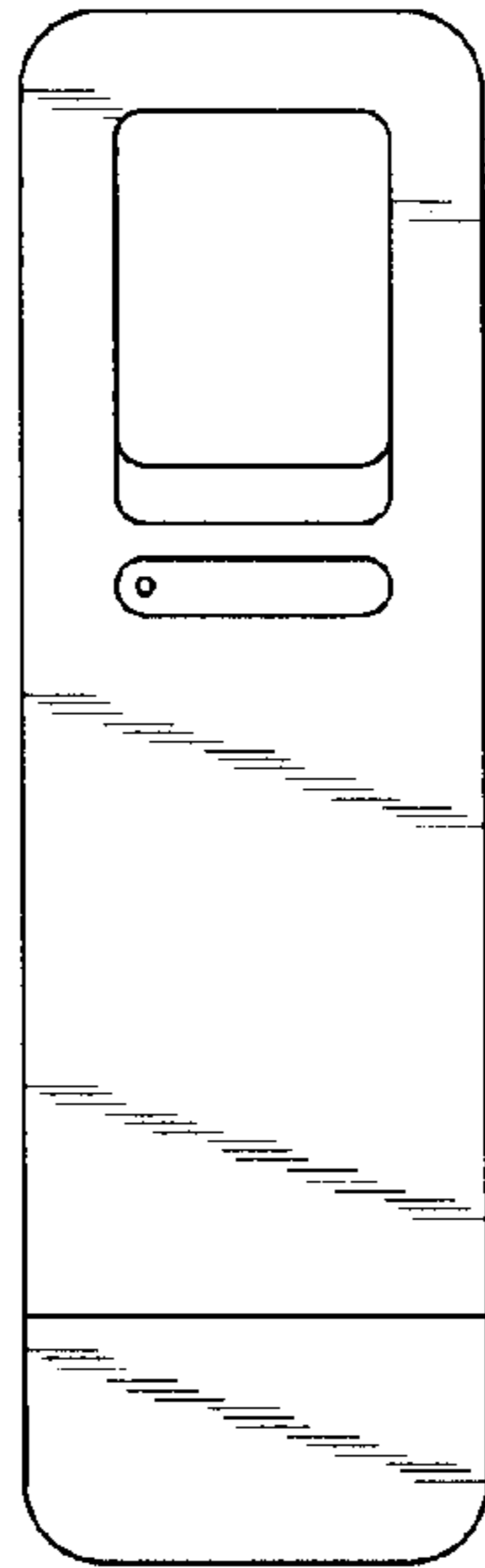
**FIG. 1**



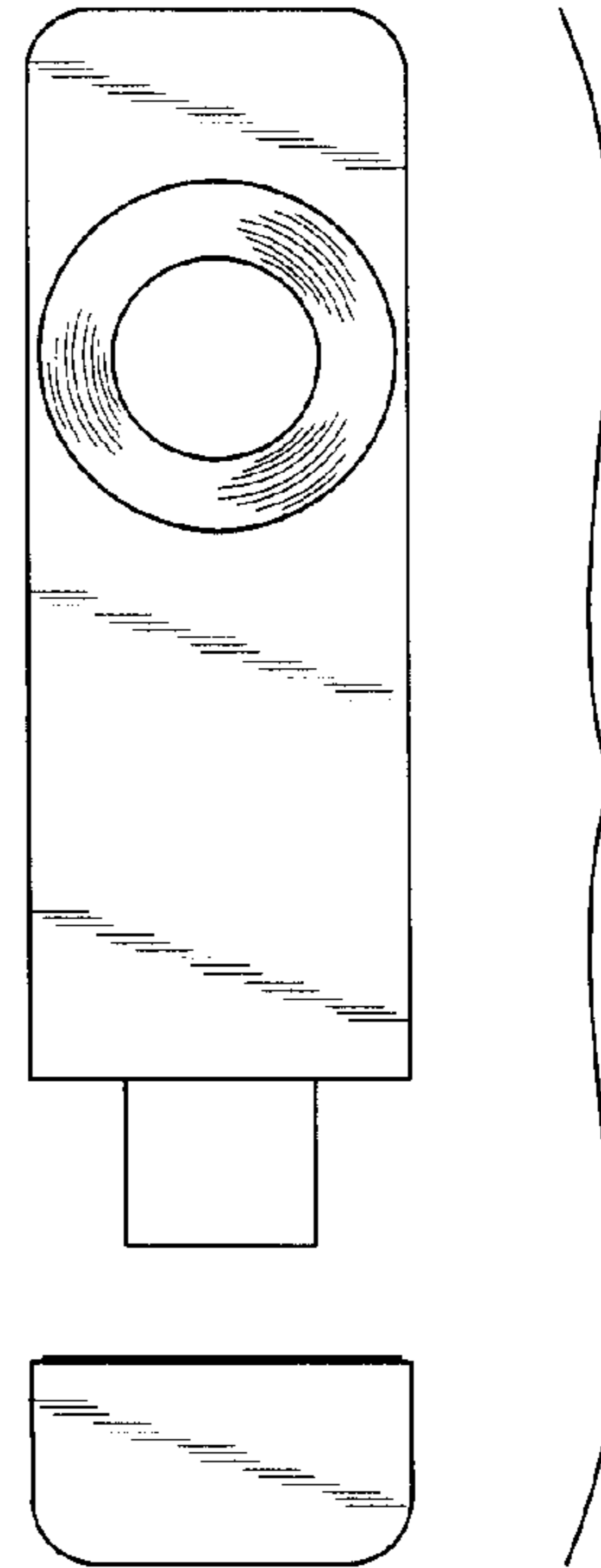
**FIG. 2**



**FIG. 3**



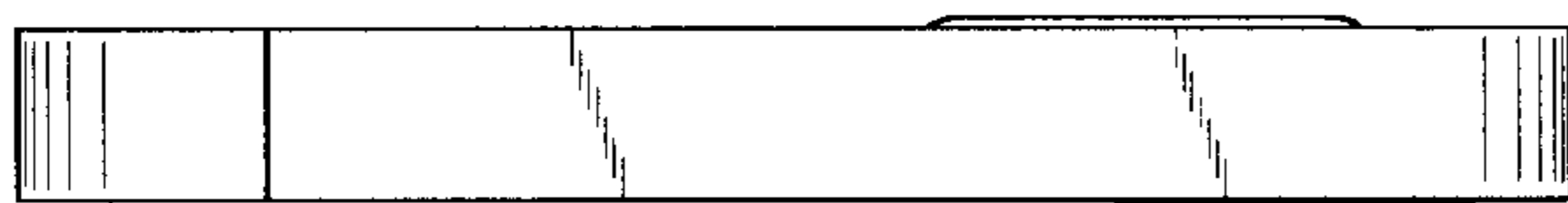
**FIG. 4**



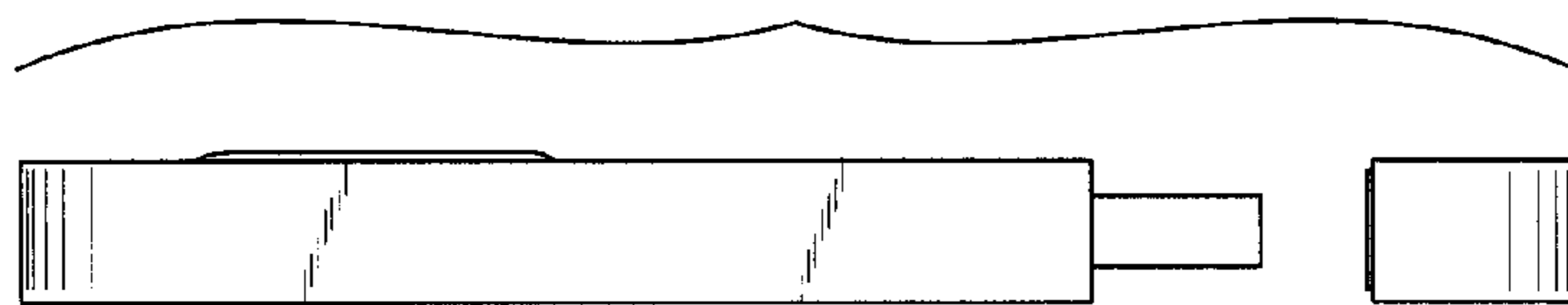
**FIG. 5**



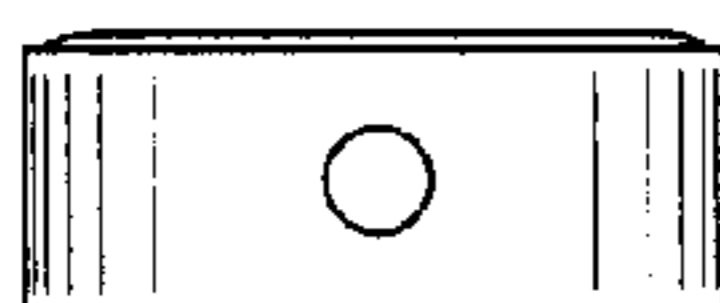
**FIG. 6**



**FIG. 7**



**FIG. 8**



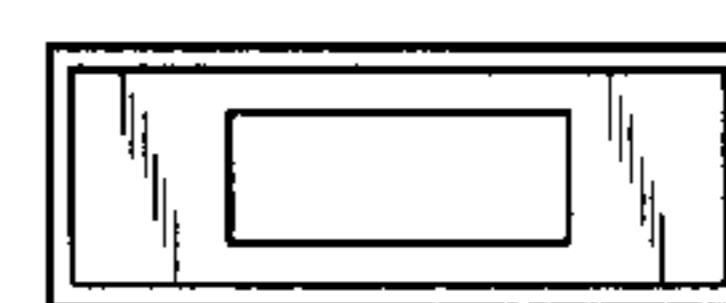
**FIG. 9**



**FIG. 10**



**FIG. 11**



**FIG. 12**