



US00D535307S

(12) **United States Design Patent**
Yagi

(10) **Patent No.:** **US D535,307 S**
(45) **Date of Patent:** **** Jan. 16, 2007**

(54) **MEMORY CARD AUDIO PLAYER WITH A RADIO TUNER**

(75) Inventor: **Ryoichi Yagi**, Ibaraki (JP)

(73) Assignee: **Matsushita Electric Industrial Co., Ltd.**, Osaka (JP)

(**) Term: **14 Years**

(21) Appl. No.: **29/241,063**

(22) Filed: **Oct. 21, 2005**

(30) **Foreign Application Priority Data**

May 18, 2005 (JP) 2005-014207

(51) **LOC (8) Cl.** **14-03**

(52) **U.S. Cl.** **D14/496; D14/188; D14/157; D14/167**

(58) **Field of Classification Search** D14/496, D14/188, 135, 156, 157, 167, 168, 474, 265; 369/1, 2, 75.11, 86, 99; 455/344-351; 711/1, 711/100; 370/342-344; 700/94
See application file for complete search history.

(56) **References Cited**

U.S. PATENT DOCUMENTS

- 4,976,435 A * 12/1990 Shatford et al. 463/36
- 5,661,632 A * 8/1997 Register 361/683
- 5,825,408 A * 10/1998 Yuyama et al. 348/14.01
- D410,463 S * 6/1999 Hattori D14/156
- D415,757 S * 10/1999 Takahashi et al. D14/156
- D451,488 S * 12/2001 Foster D14/156
- D463,393 S 9/2002 Kataoka
- D467,891 S 12/2002 Tokioka et al.
- D469,109 S 1/2003 Andre et al.
- D472,245 S 3/2003 Andre et al.
- 6,595,860 B1 * 7/2003 Yamamoto et al. 463/43

- 6,671,567 B1 * 12/2003 Dwyer et al. 700/94
- D486,813 S 2/2004 Chun
- D488,456 S 4/2004 Isshiki
- D488,483 S 4/2004 Hu
- D489,052 S 4/2004 Shiraki et al.
- D489,731 S 5/2004 Huang
- D494,188 S 8/2004 Huang
- 6,769,603 B1 * 8/2004 Nagai et al. 235/375
- D511,347 S * 11/2005 Naruki D14/496
- D514,589 S * 2/2006 Chen D14/496
- D521,023 S * 5/2006 Kim et al. D14/496

OTHER PUBLICATIONS

Panasonic, "Personal Audio", *Parasonic Consumer Electronics Company* publication, May 2005, 2 pages.

* cited by examiner

Primary Examiner—Prabhakar Deshmukh

(74) *Attorney, Agent, or Firm*—Brinks Hofer Gilson & Lione

(57) **CLAIM**

I claim the ornamental design for a memory card audio player with a radio tuner, as shown and described.

DESCRIPTION

FIG. 1 is a top perspective view of a memory card audio player with a radio tuner of the present invention; FIG. 2 is a front view thereof; FIG. 3 is a first side view thereof; FIG. 4 is a second side view thereof; FIG. 5 is a top view thereof; FIG. 6 is a bottom view thereof; and, FIG. 7 is a rear view thereof.

Any broken lines in the drawings are for illustrative purposes only and form no part of the claimed design.

1 Claim, 3 Drawing Sheets

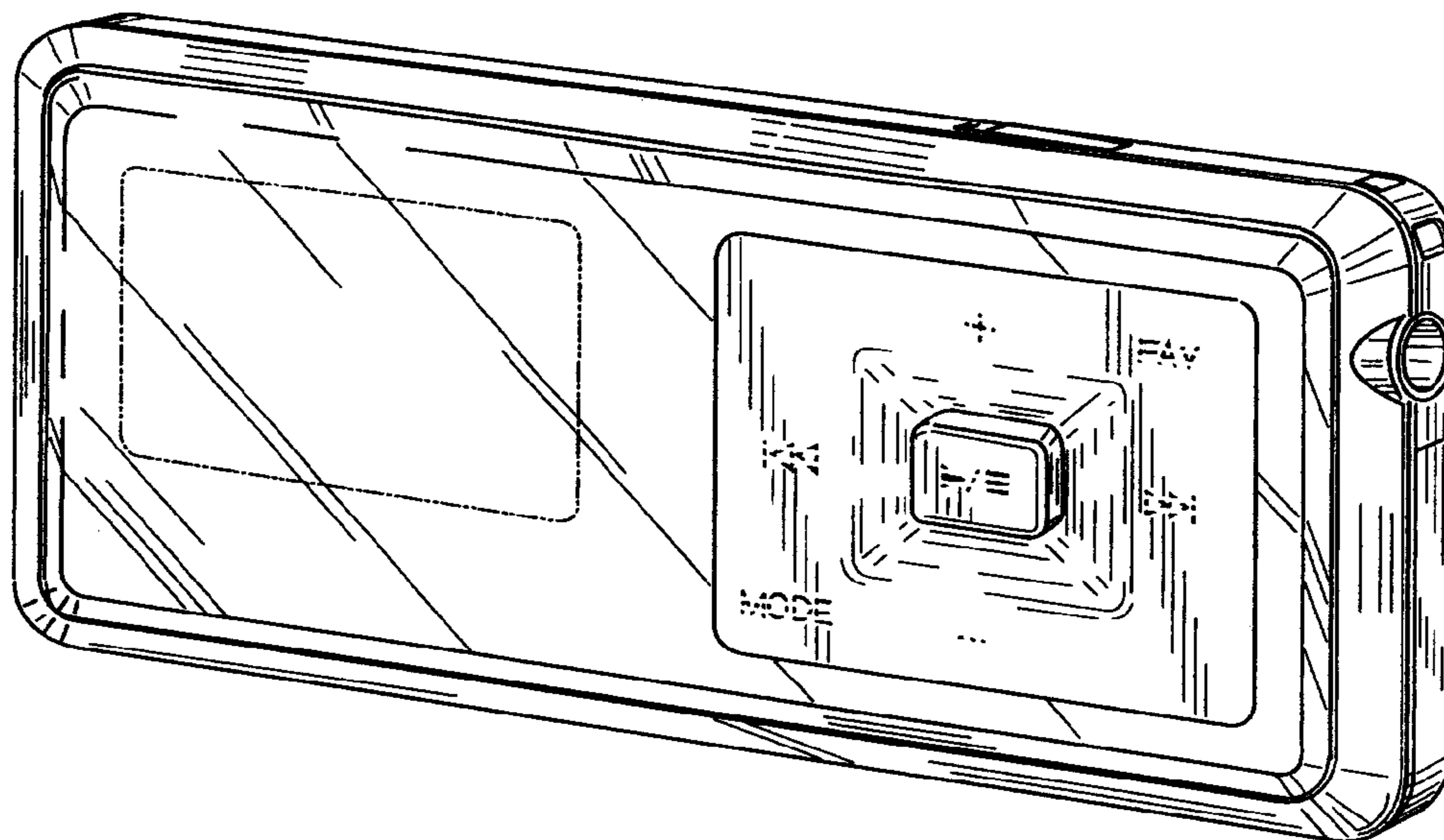


FIG. 1

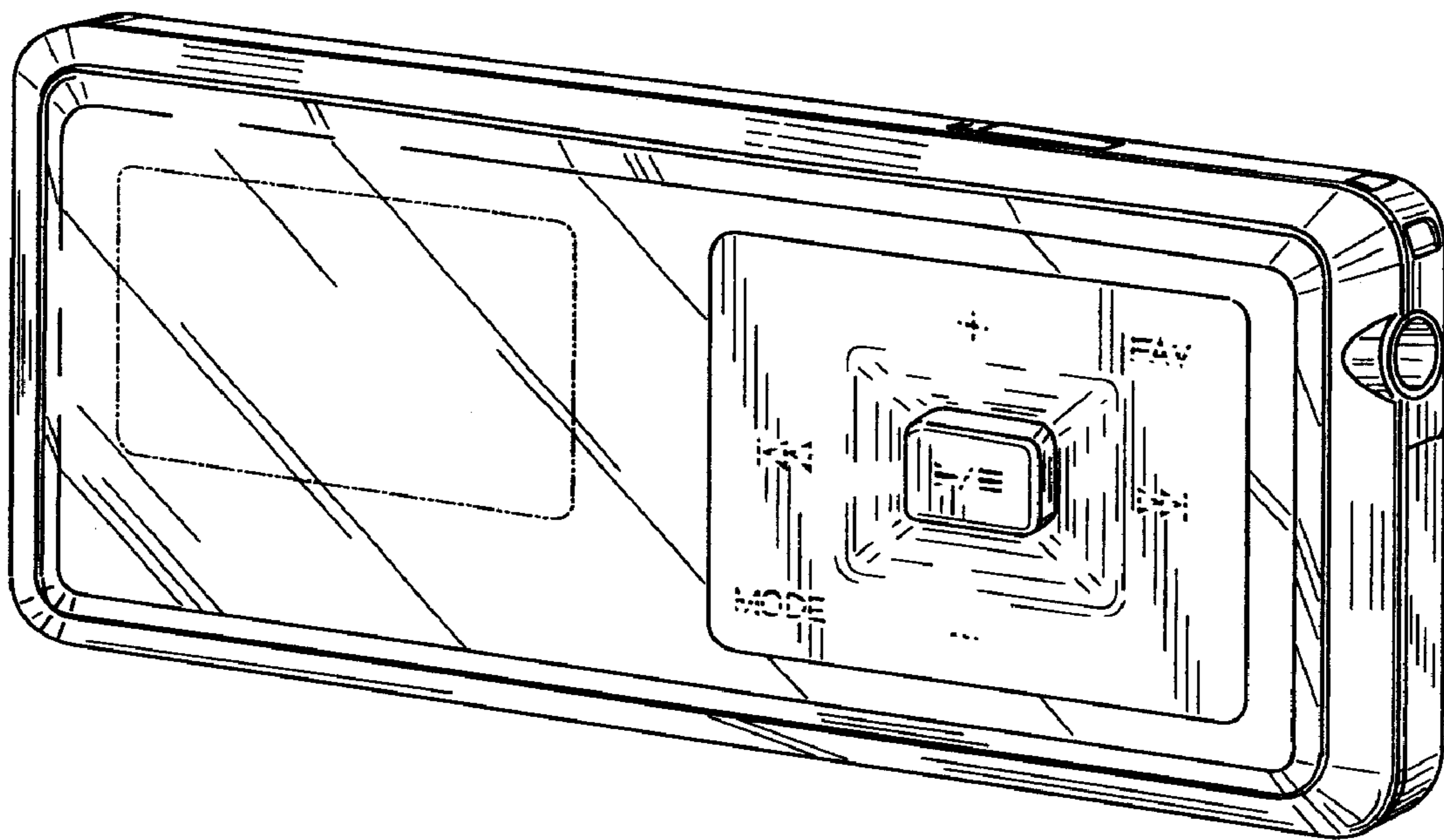


FIG.2

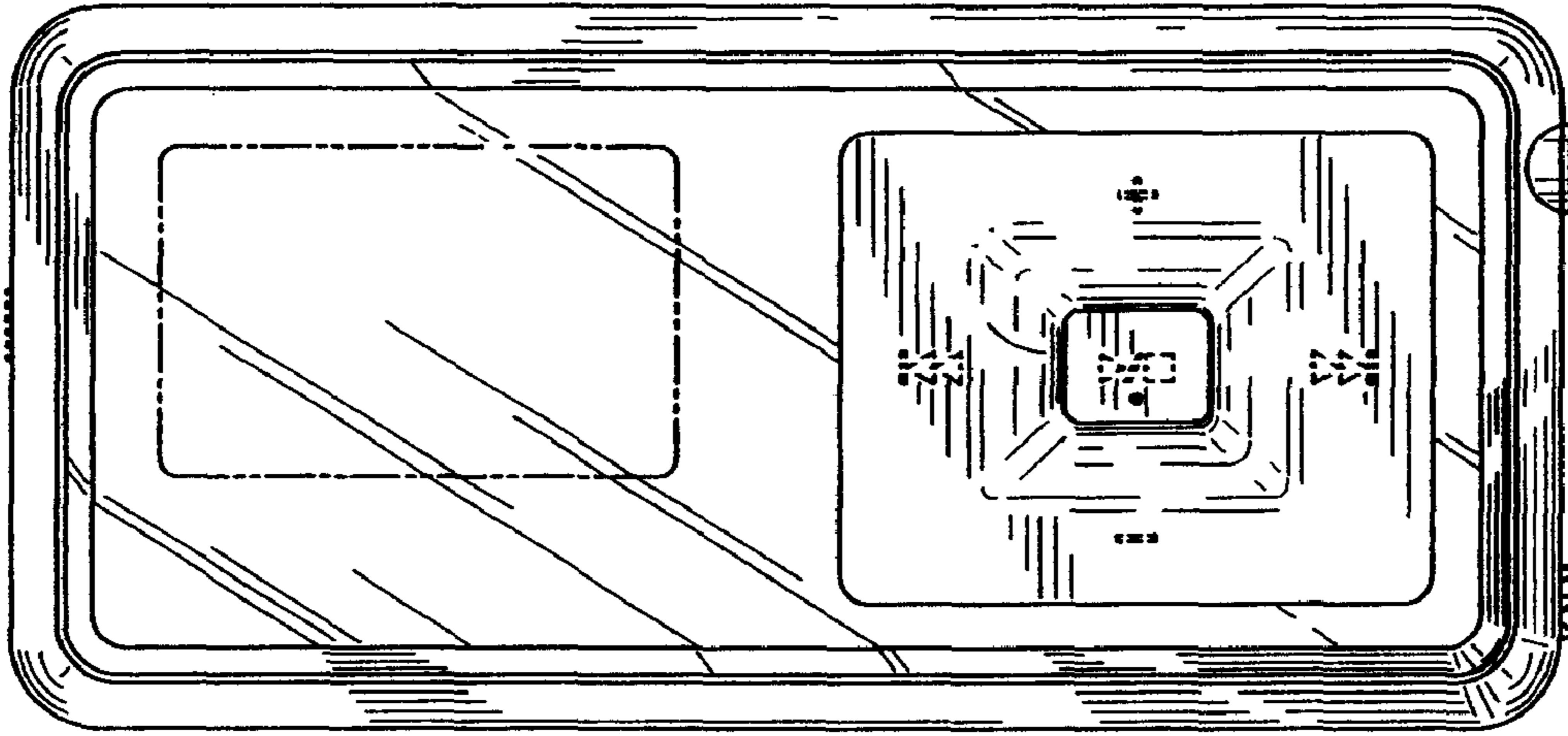


FIG.3



FIG.4



FIG.5

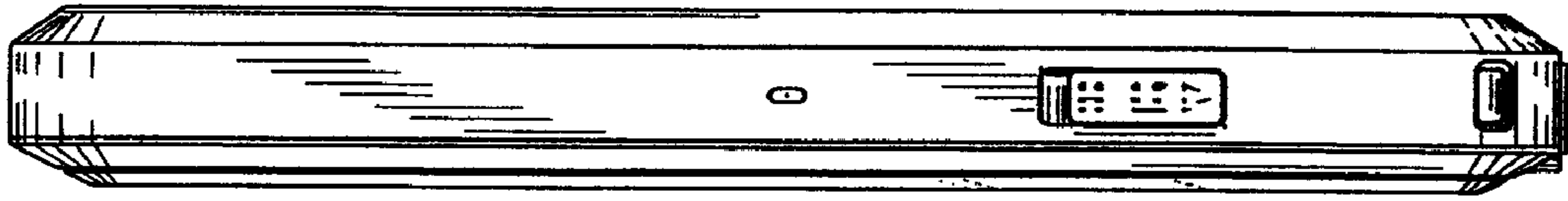


FIG.6

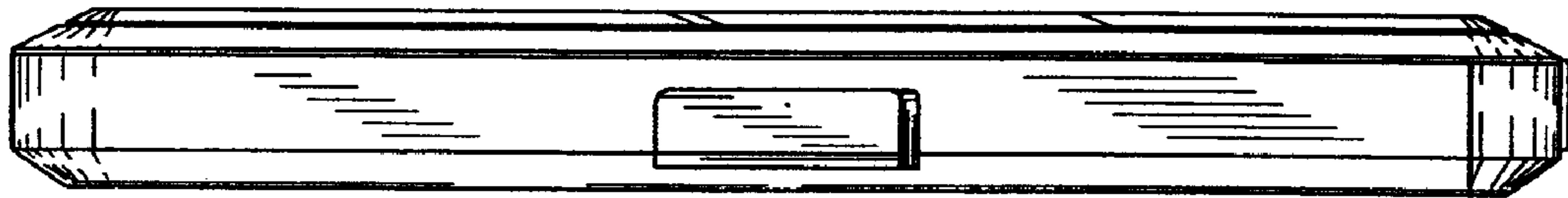


FIG.7

