



US00D535298S

(12) **United States Design Patent**
Cochrane

(10) **Patent No.:** **US D535,298 S**

(45) **Date of Patent:** **** Jan. 16, 2007**

(54) **FACE PLATE FOR PORTABLE HARD DISK DRIVE CONTAINER**

D461,815 S * 8/2002 Yuhan D14/444
6,565,163 B1 * 5/2003 Behl et al. 312/223.1
D489,727 S * 5/2004 Chien-Bin et al. D14/444
D491,570 S * 6/2004 Fan et al. D14/445

(75) Inventor: **Paul Douglas Cochrane**, Union City, CA (US)

* cited by examiner

(73) Assignee: **Stealthdrive LLC**, Alexandria, VA (US)

Primary Examiner—Freda S. Nunn

(74) *Attorney, Agent, or Firm*—Dort Patent Corp.; David Bogart Dort

(**) Term: **14 Years**

(21) Appl. No.: **29/216,893**

(22) Filed: **Nov. 9, 2004**

(57) **CLAIM**

The ornamental design for face plate for portable hard disk drive container, as shown and described.

Related U.S. Application Data

DESCRIPTION

(63) Continuation-in-part of application No. 10/711,104, filed on Aug. 23, 2004, now abandoned, and a continuation-in-part of application No. 10/924,339, filed on Aug. 23, 2004.

FIG. 1 is a top, front perspective view of a face plate for portable hard disk drive container showing my new design; FIG. 2 is a top view thereof; and, FIG. 3 is a front view thereof.

(51) **LOC (8) Cl.** **14-02**

(52) **U.S. Cl.** **D14/444**

(58) **Field of Classification Search** D14/441-446;
D13/162, 184, 199; 312/223.1; 361/680-686,
361/690-696

See application file for complete search history.

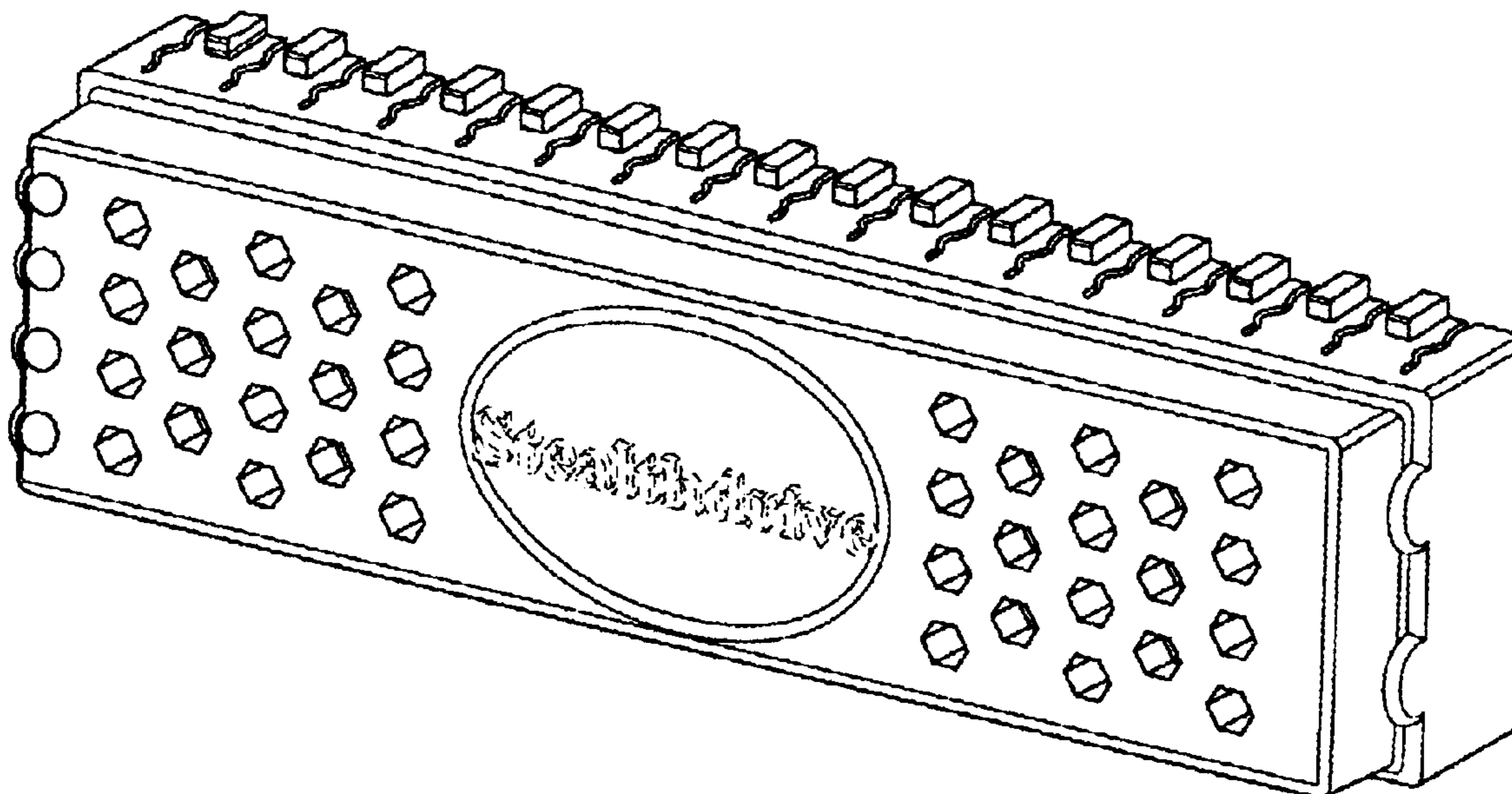
The logo is shown in broken lines in the views for illustrative purposes only and forms no part of the claimed design. When viewing the drawings, artisans should consider that the area shown inside the center circle or oval shape of the portable disk drive container cover (or front plate) shows the assignee's logo "STEALTHDRIVE" is for illustrative purposes only and not intended to be limited to such. Any particular logo is specially missing from the design claims, such that the claims cover any manufacturer or distributor's logo in the center indicated circle of such a portable hard drive face plate.

(56) **References Cited**

U.S. PATENT DOCUMENTS

D387,751 S * 12/1997 Lain D14/444
D415,747 S * 10/1999 Wu D14/442
D450,055 S * 11/2001 Yang D14/444

1 Claim, 3 Drawing Sheets



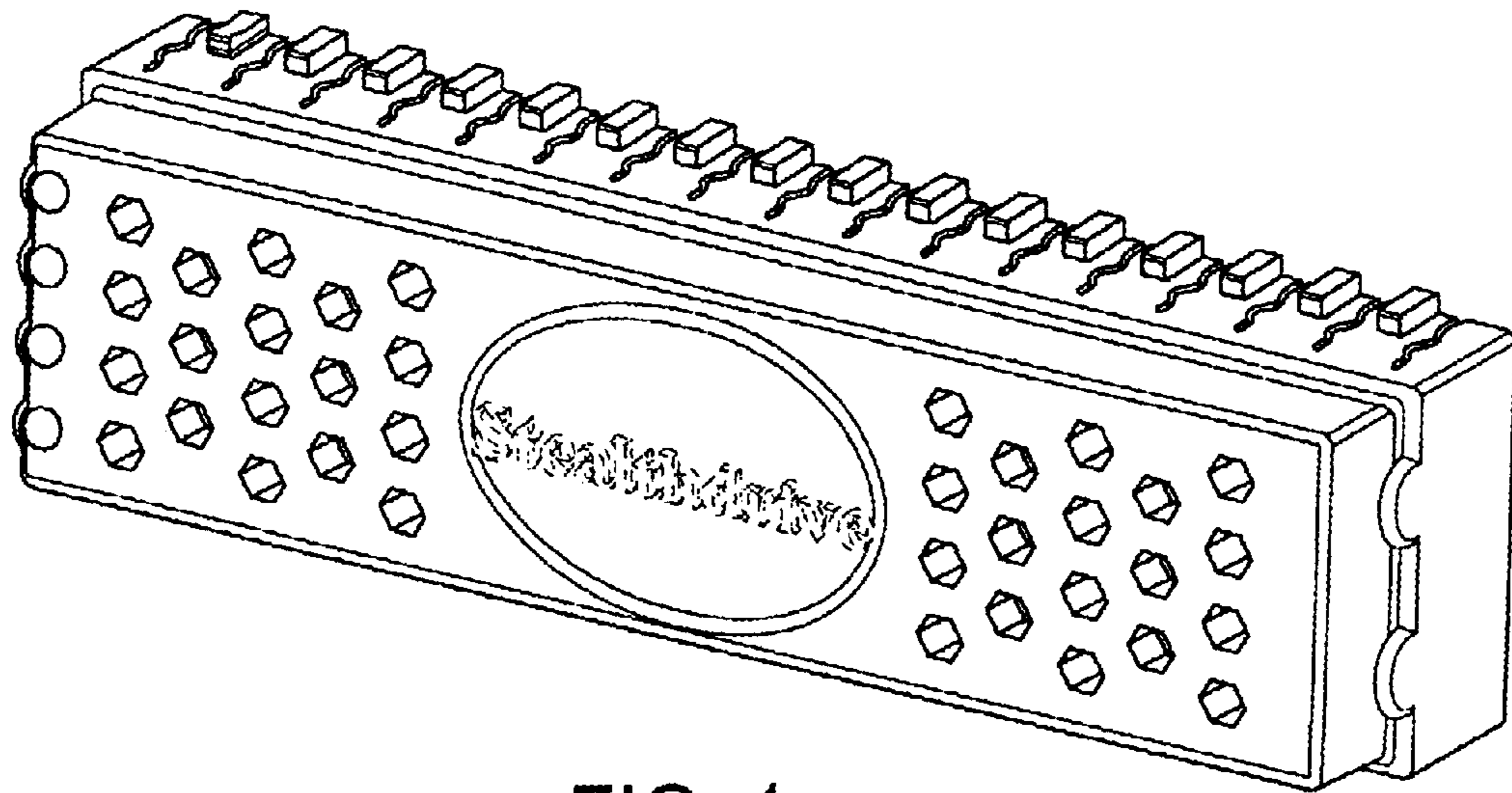


FIG. 1

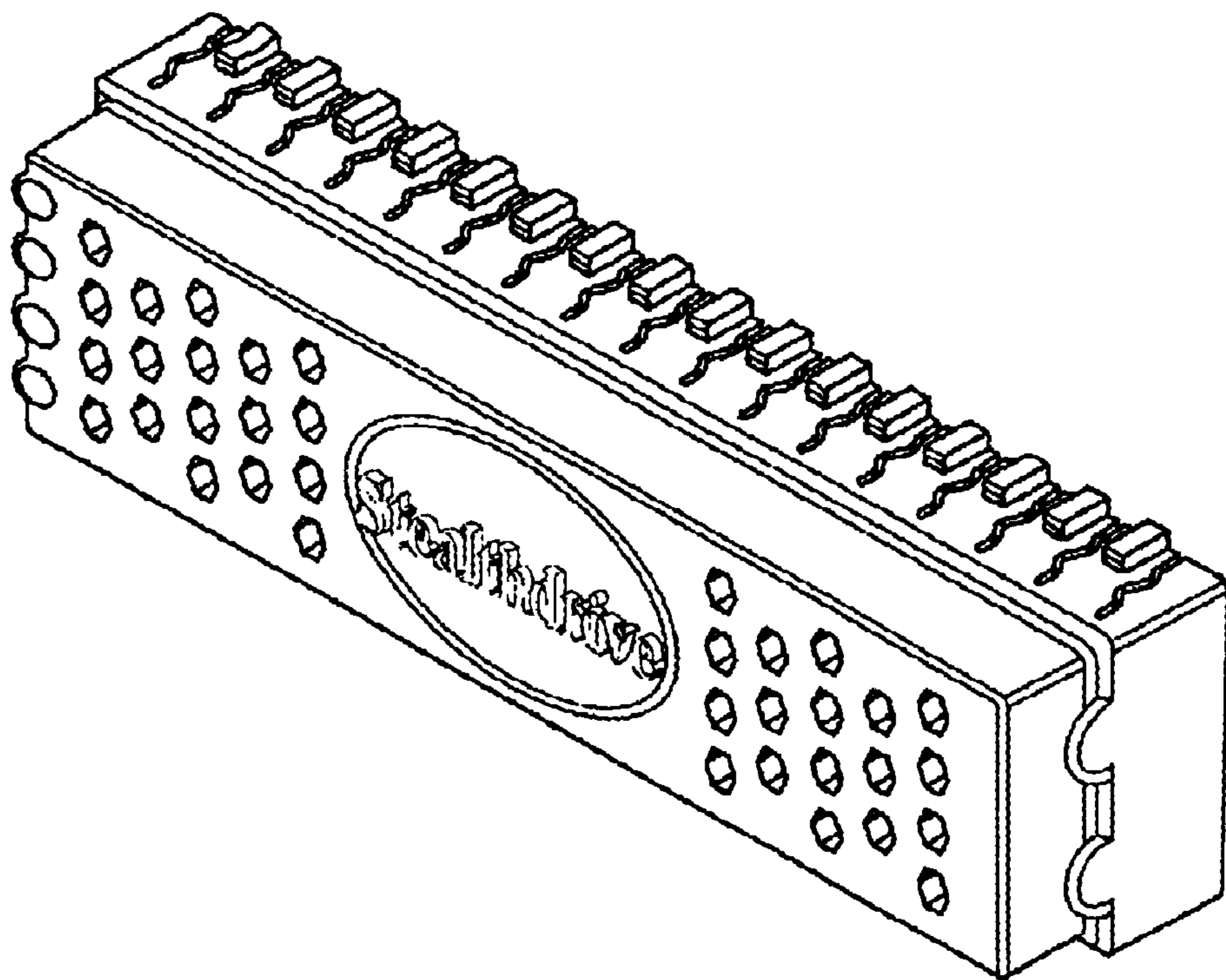


FIG. 2

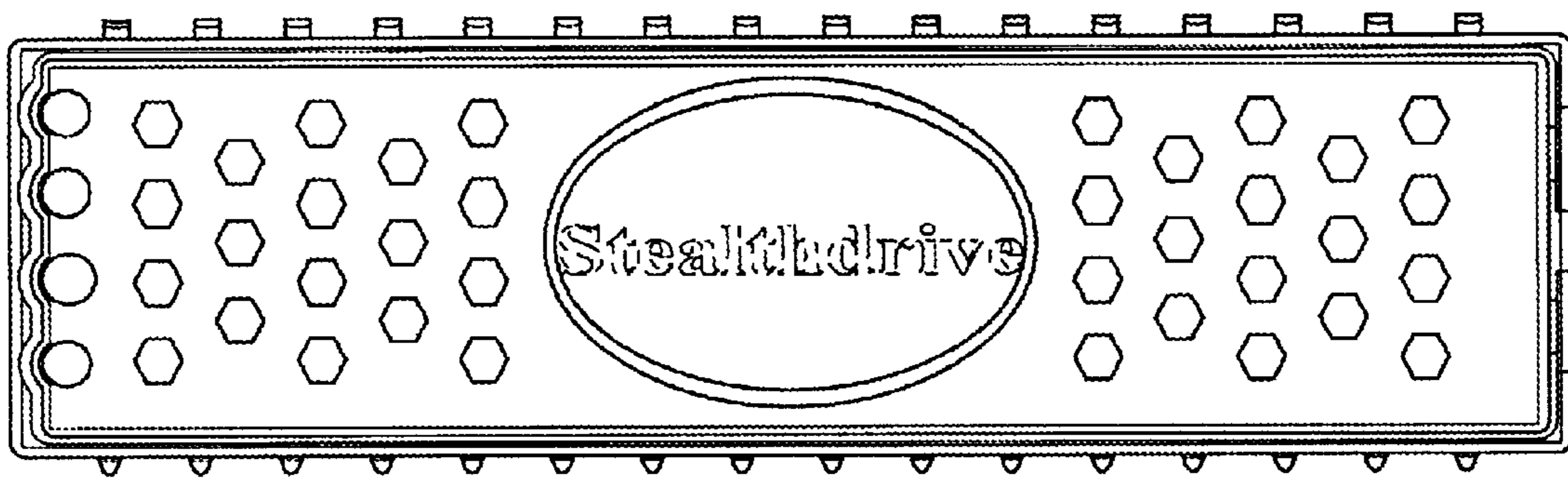


FIG. 3