



US00D535292S

(12) **United States Design Patent**
Shi et al.

(10) **Patent No.:** **US D535,292 S**
(45) **Date of Patent:** **** Jan. 16, 2007**

(54) **NOTEBOOK COMPUTER**

(75) Inventors: **Zheng Shi**, Shenzhen (CN); **Chien-Li Tsai**, Tu-Cheng (TW); **Wen-Kang Lo**, Tu-Cheng (TW); **Yue-Hai Zhang**, Shenzhen (CN); **Jun Zhang**, Shenzhen (CN)

(73) Assignee: **Hon Hai Precision Industry Co. Ltd.**, Taipei Hsien (TW)

(**) Term: **14 Years**

(21) Appl. No.: **29/241,519**

(22) Filed: **Oct. 28, 2005**

(30) **Foreign Application Priority Data**

Jun. 24, 2005 (CN) 200530062667

(51) **LOC (8) Cl.** **14-02**

(52) **U.S. Cl.** **D14/315**

(58) **Field of Classification Search** D14/315-328;
D18/1, 2, 7; 235/145 A, 145 R; 345/104,
345/156, 168, 173, 901-905; 341/22, 23;
361/680-686; 400/486, 489

See application file for complete search history.

(56) **References Cited**

U.S. PATENT DOCUMENTS

5,375,076 A * 12/1994 Goodrich et al. 361/681

D356,072 S * 3/1995 Mundt D14/320
D358,374 S * 5/1995 Yamazaki et al. D14/320
D416,003 S * 11/1999 Schiefer et al. D14/326
6,067,224 A * 5/2000 Nobuchi 361/683
6,351,372 B1 * 2/2002 Kim 361/683
D491,176 S * 6/2004 Shimano et al. D14/318

* cited by examiner

Primary Examiner—Freda S. Nunn

(74) *Attorney, Agent, or Firm*—Jeffrey T. Knapp

(57) **CLAIM**

The ornamental design for a notebook computer, as shown and described.

DESCRIPTION

FIG. 1 is a perspective view of a notebook computer showing our new design;

FIG. 2 is a front elevational view thereof;

FIG. 3 is a rear elevational view thereof;

FIG. 4 is a left-side, elevational view thereof;

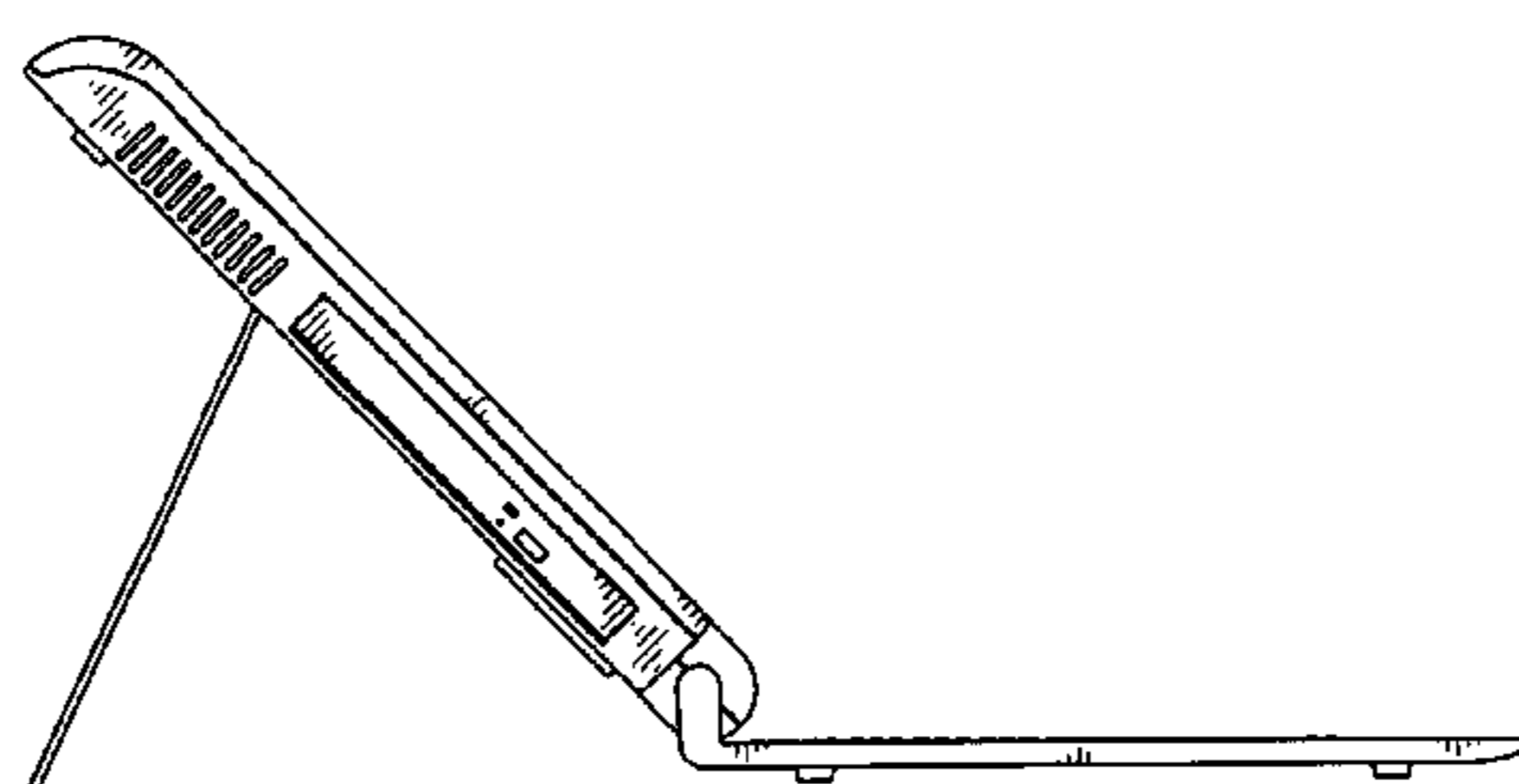
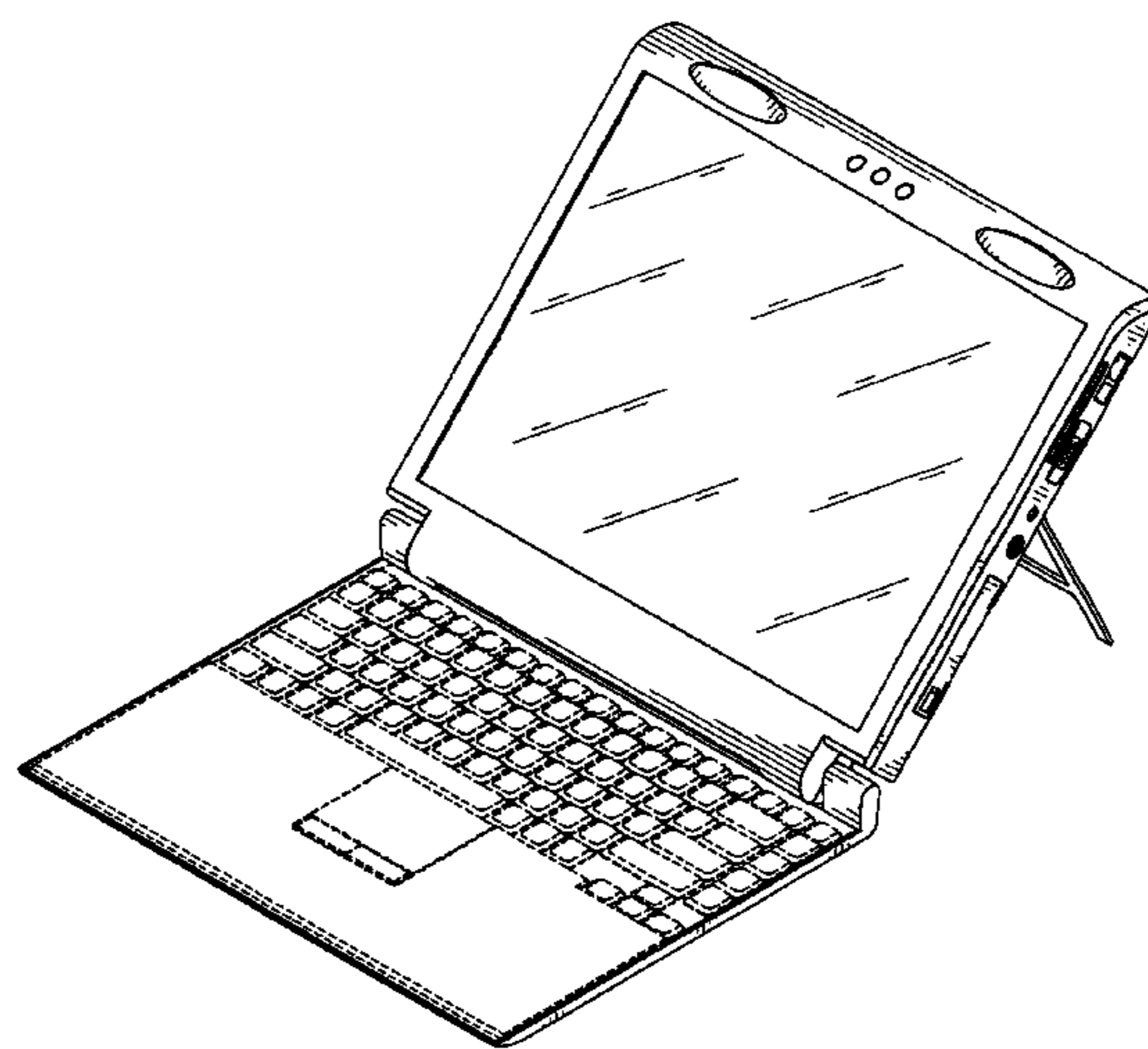
FIG. 5 is a right-side, elevational view thereof;

FIG. 6 is a top plan view thereof; and,

FIG. 7 is a bottom plan view thereof.

(Broken line portions are indicated only to illustrate an intended use environment and do not constitute a part of the claimed subject matter.)

1 Claim, 7 Drawing Sheets



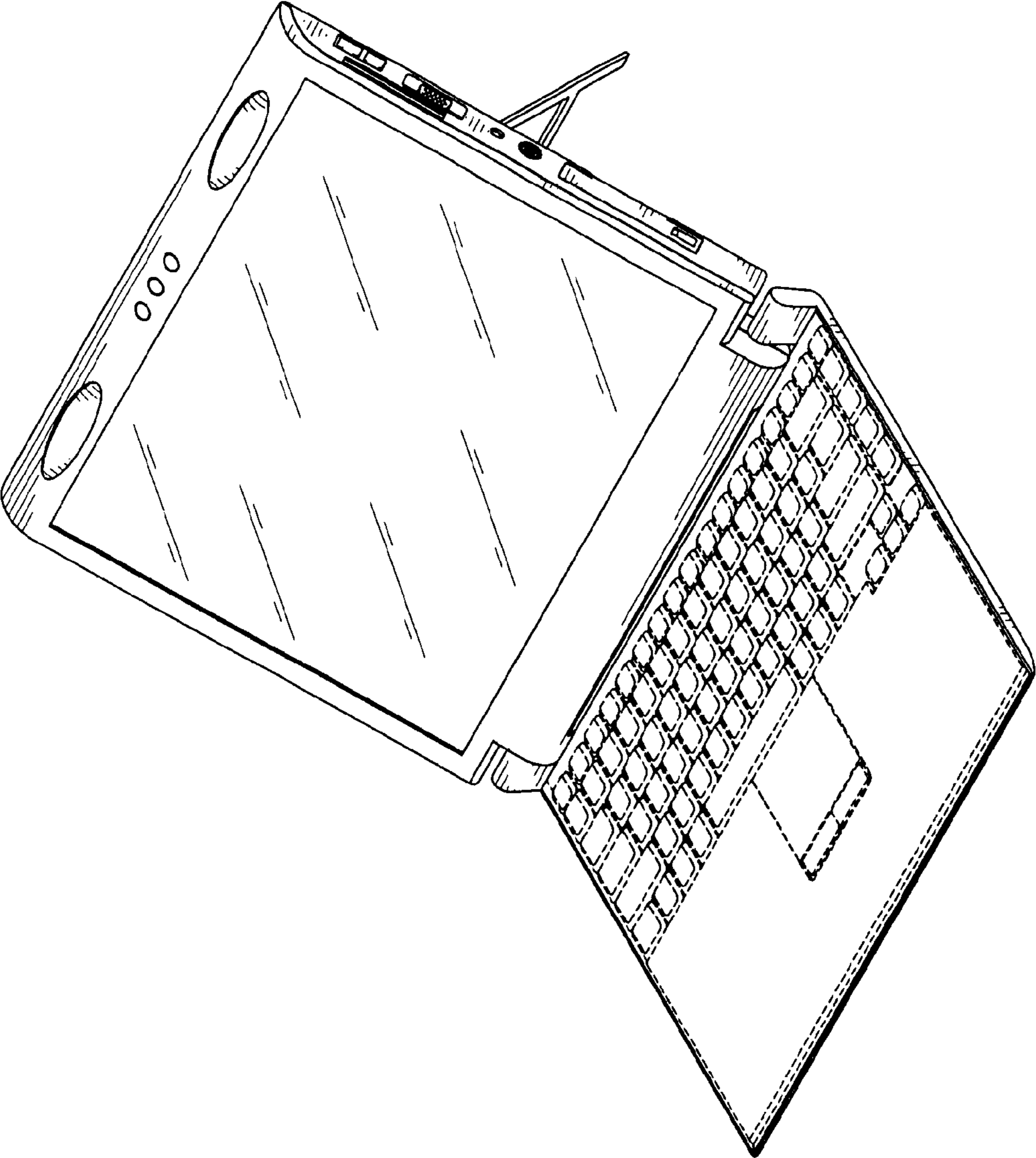


FIG. 1

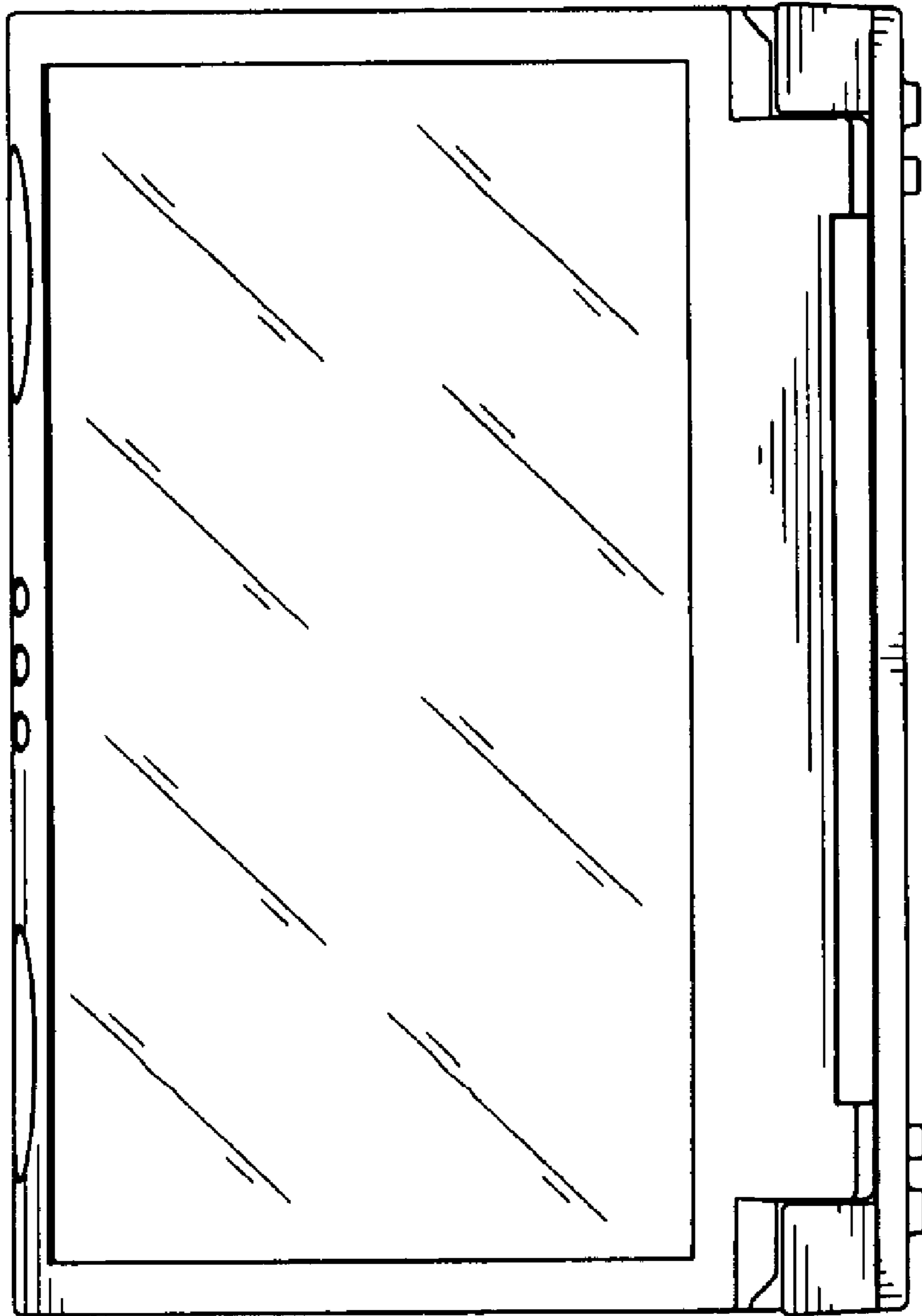


FIG. 2

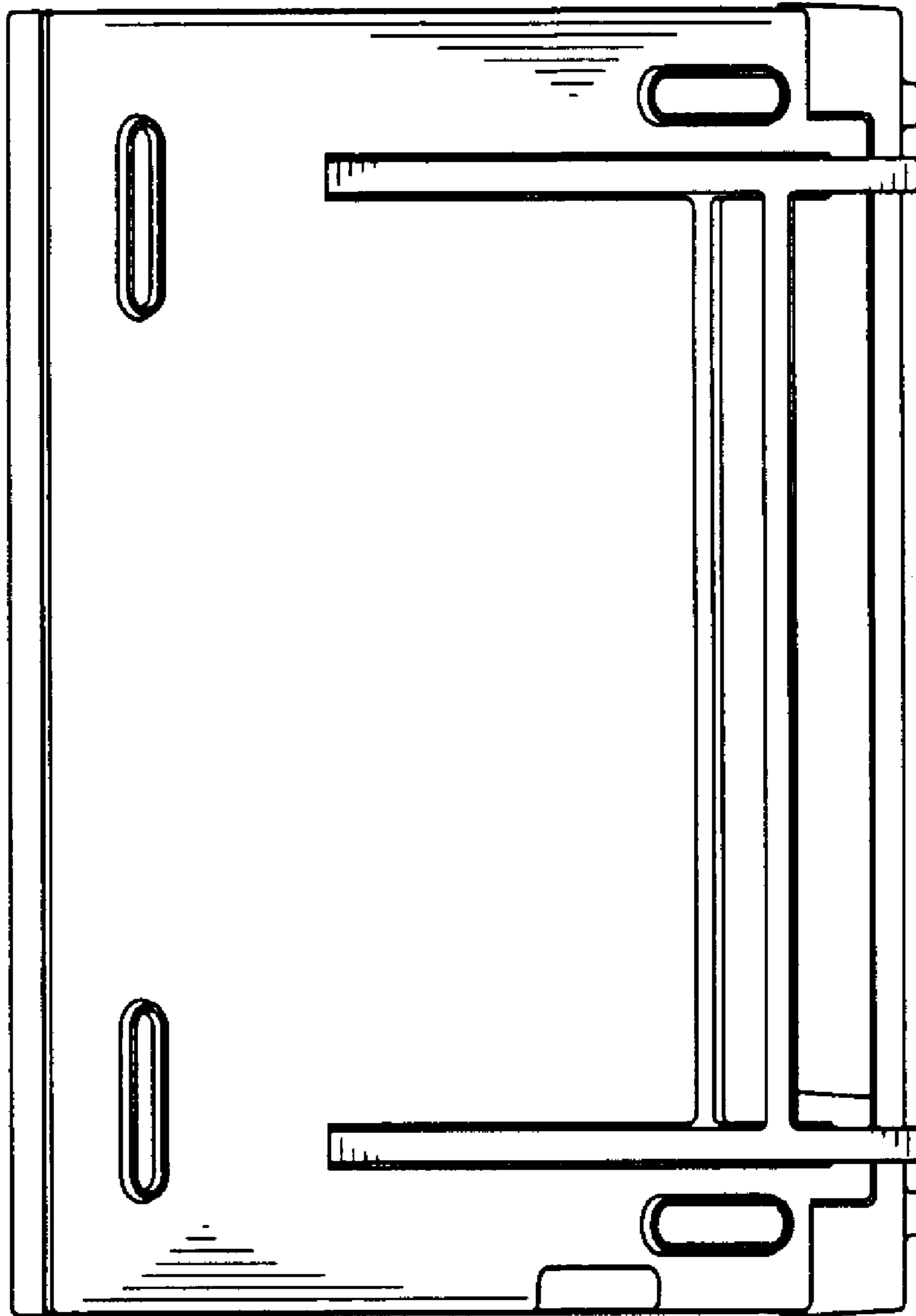


FIG. 3

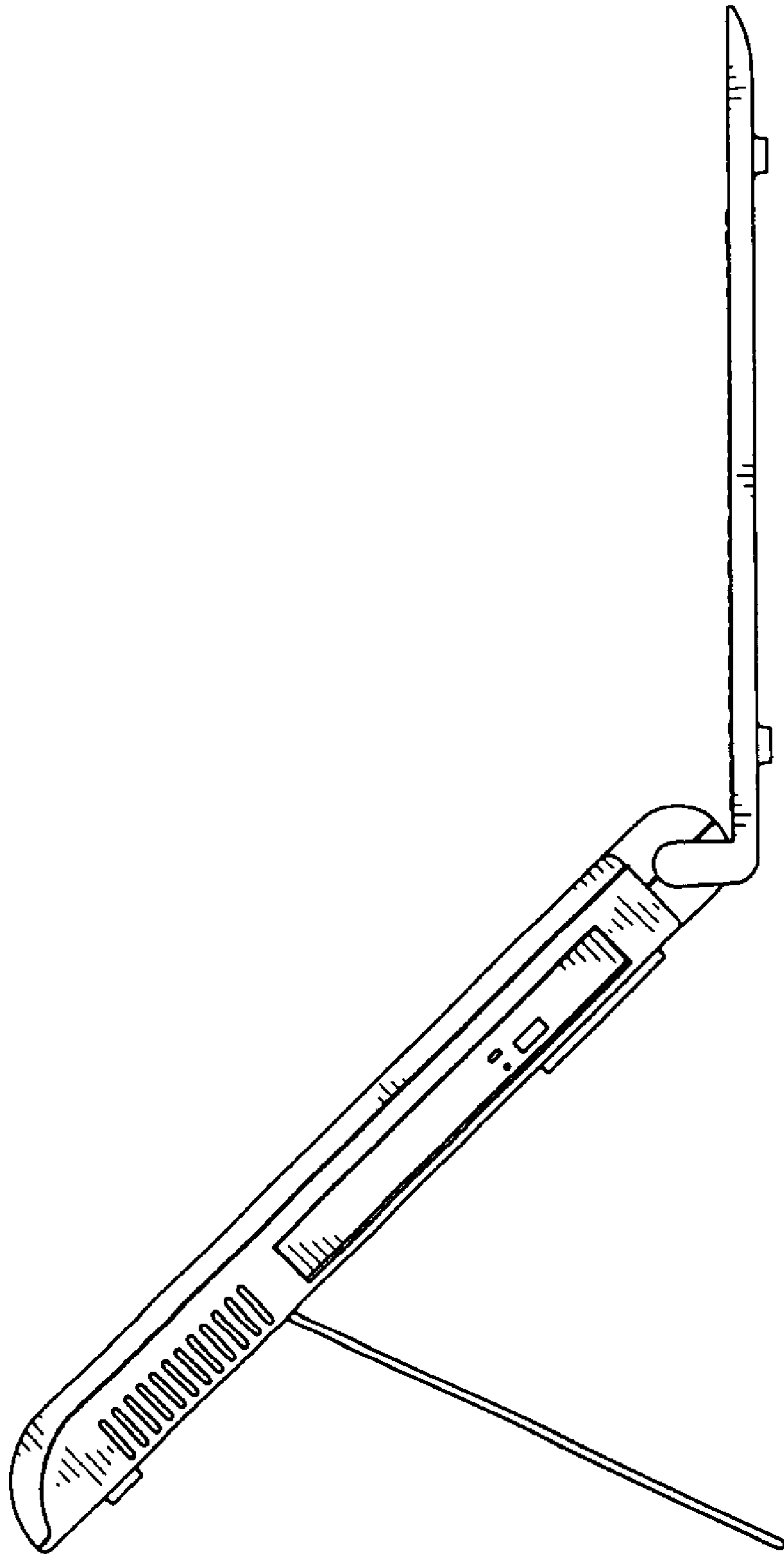


FIG. 4

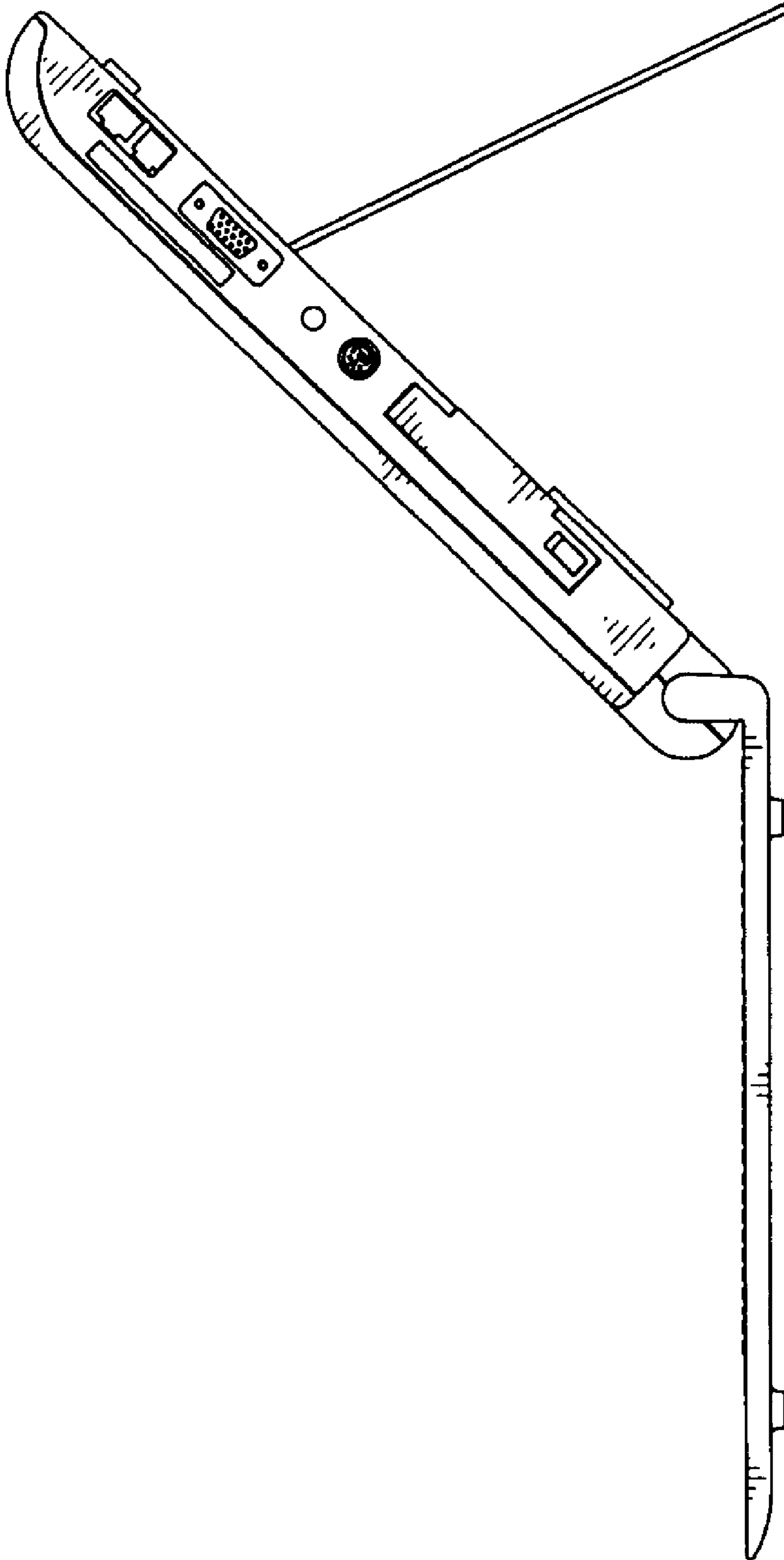


FIG. 5

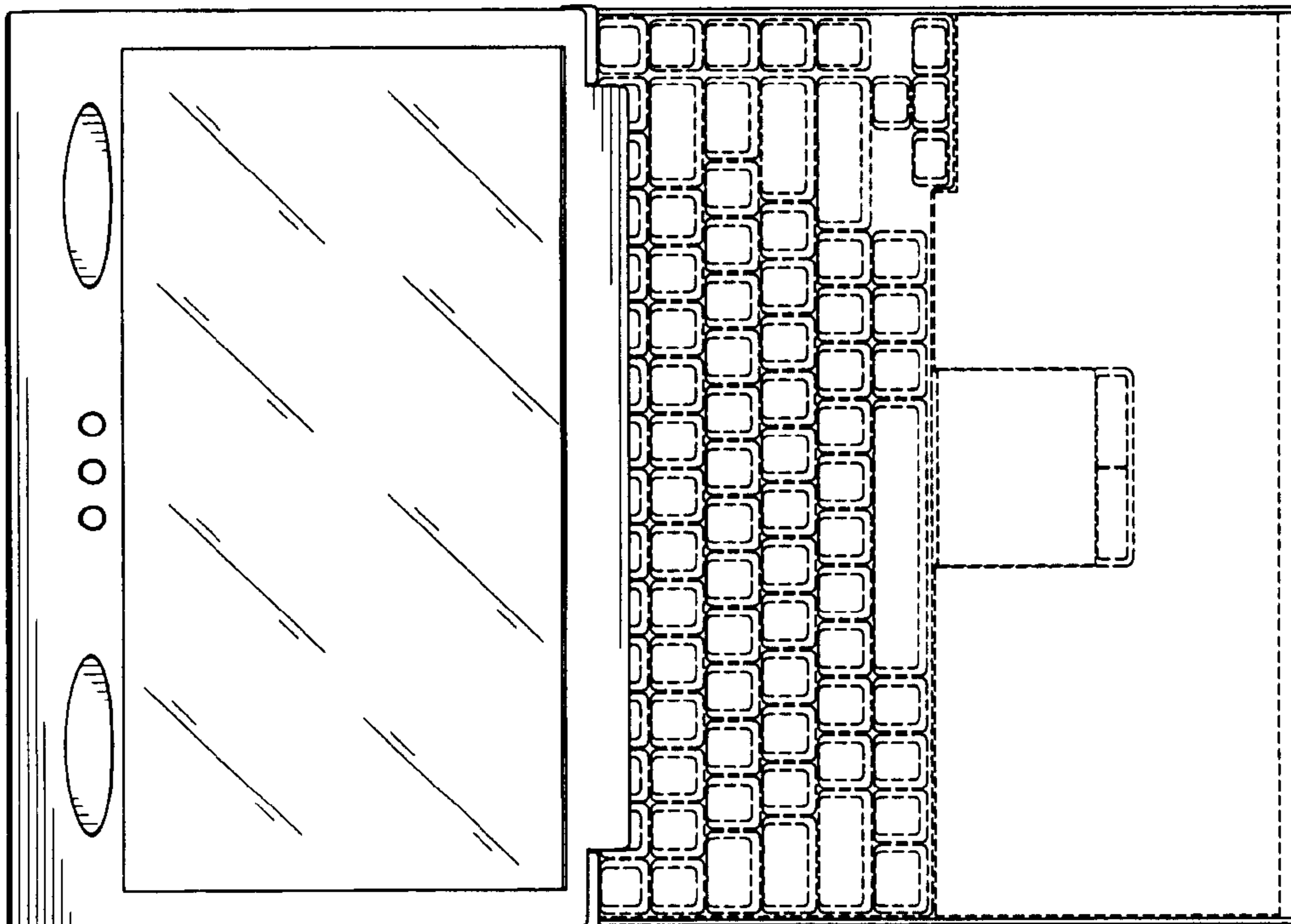


FIG. 6

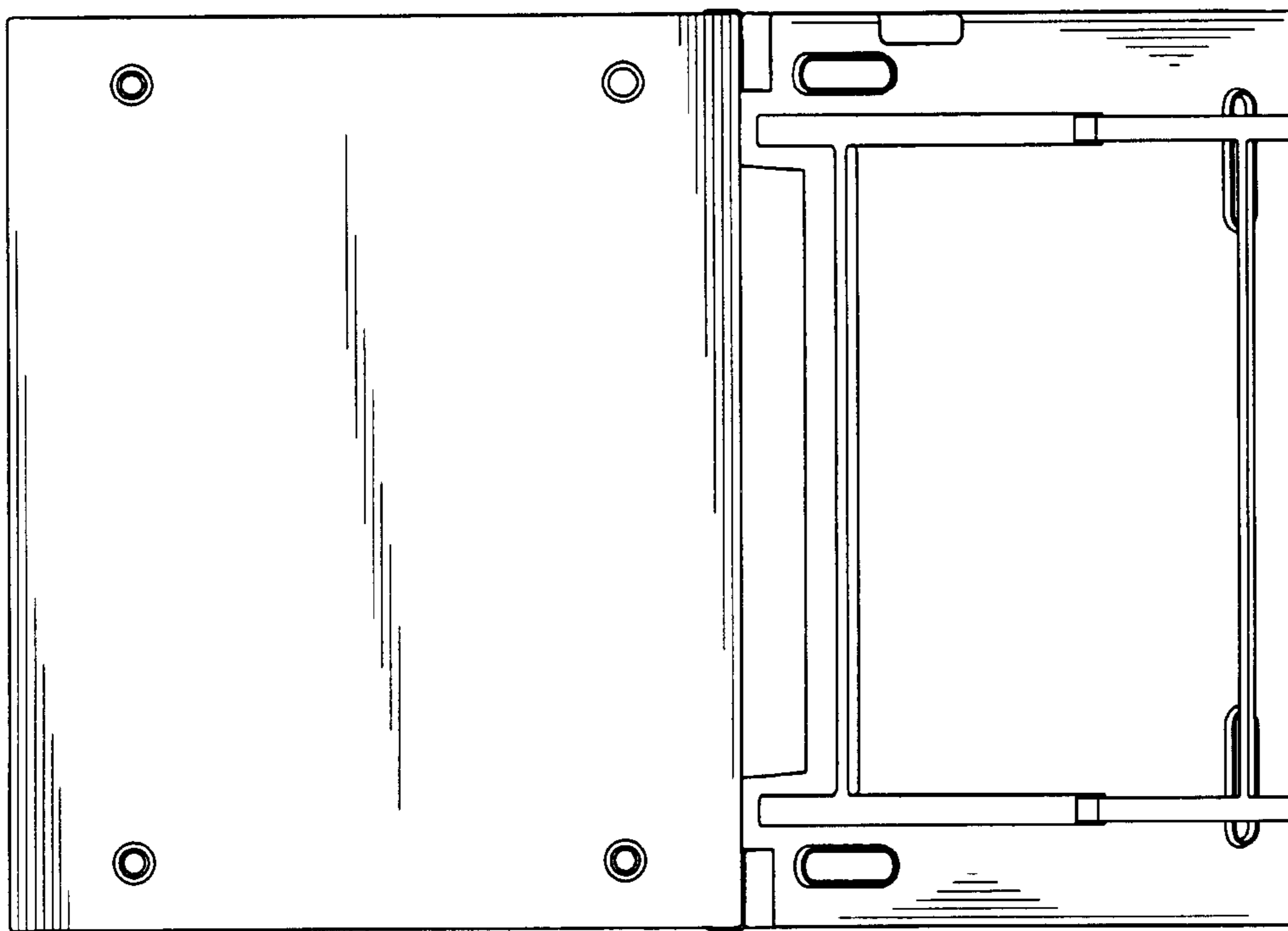


FIG. 7