



US00D535291S

(12) **United States Design Patent**  
**Chiang**

(10) **Patent No.:** **US D535,291 S**

(45) **Date of Patent:** **\*\* Jan. 16, 2007**

(54) **ANTENNA CONNECTOR**

(75) Inventor: **Shu-Man Chiang**, Tu-Cheng (TW)

(73) Assignee: **Cheng Uei Precision Industry Co., Ltd.**, Taipei Hsien (TW)

(\*\*) Term: **14 Years**

(21) Appl. No.: **29/251,339**

(22) Filed: **Jan. 7, 2006**

(51) **LOC (8) Cl.** ..... **14-03**

(52) **U.S. Cl.** ..... **D14/230; D8/394**

(58) **Field of Classification Search** ..... D14/137,  
D14/138, 230-238, 299, 358, 343; D12/42,  
D12/43; 343/700 R-705, 871-908, 795,  
343/840, 711-713, 819, 846; 455/90.2, 90.3,  
455/91, 128, 269, 344, 347, 562.1; D8/394-396  
See application file for complete search history.

(56) **References Cited**

**U.S. PATENT DOCUMENTS**

3,131,447 A \* 5/1964 Tinnerman ..... 248/231.81  
3,536,281 A \* 10/1970 Attore et al. .... 248/73

D340,226 S \* 10/1993 Sachs ..... D13/154  
D473,124 S \* 4/2003 Wu et al. .... D8/356  
D492,290 S \* 6/2004 Peng ..... D14/230  
6,899,305 B1 \* 5/2005 Korczak et al. .... 248/68.1  
D523,329 S \* 6/2006 Klippel et al. .... D8/394

\* cited by examiner

*Primary Examiner*—Louis S. Zarfes  
*Assistant Examiner*—John Windmuller

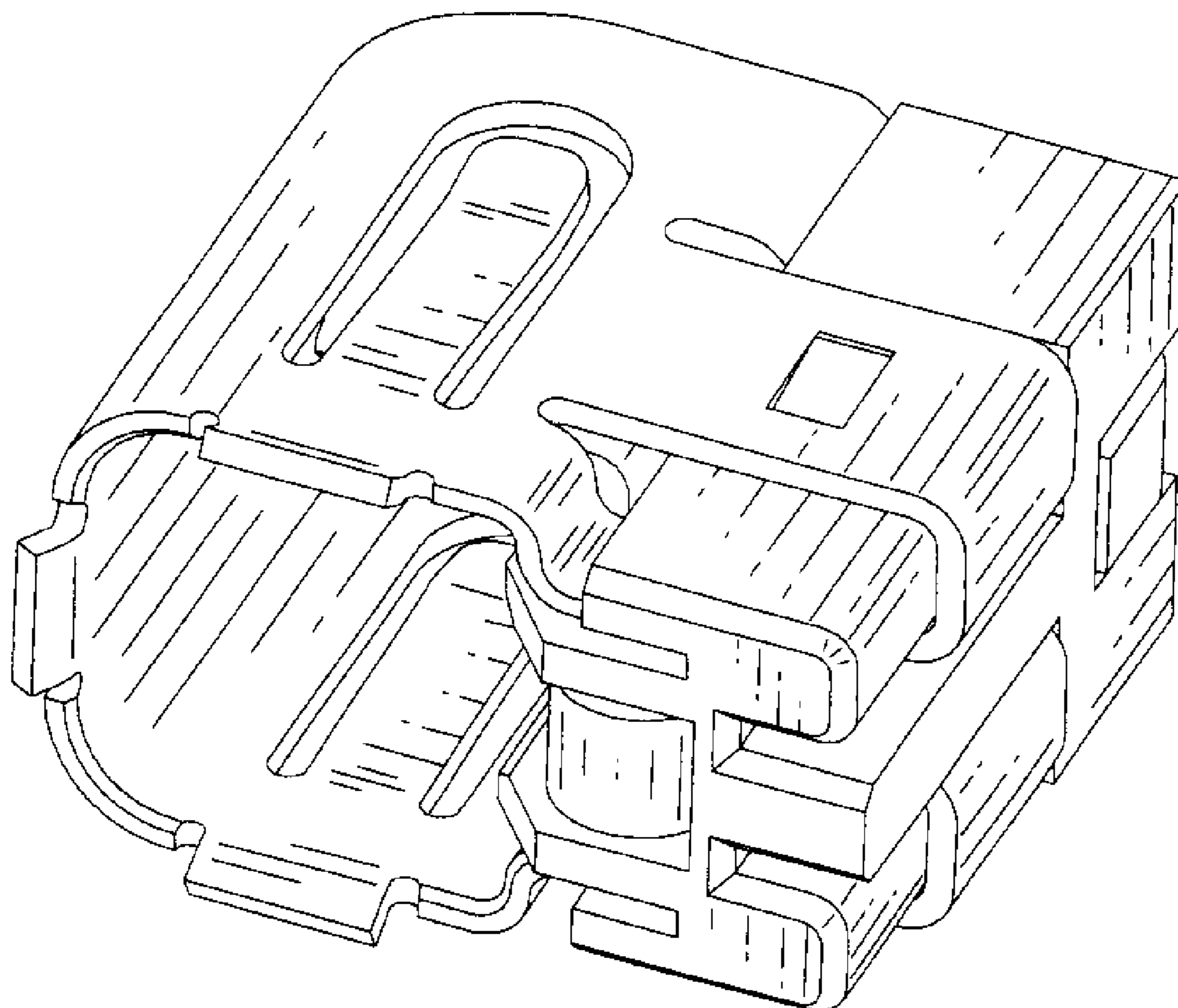
(57) **CLAIM**

The ornamental design for an antenna connector, as shown and described following.

**DESCRIPTION**

FIG. 1 is a perspective view of an antenna connector showing the new design;  
FIG. 2 is a front elevational view thereof;  
FIG. 3 is a rear elevational view thereof;  
FIG. 4 is a left side elevational view thereof;  
FIG. 5 is a right side elevational view thereof;  
FIG. 6 is a top plan view thereof; and,  
FIG. 7 is a bottom plan view thereof.

**1 Claim, 7 Drawing Sheets**



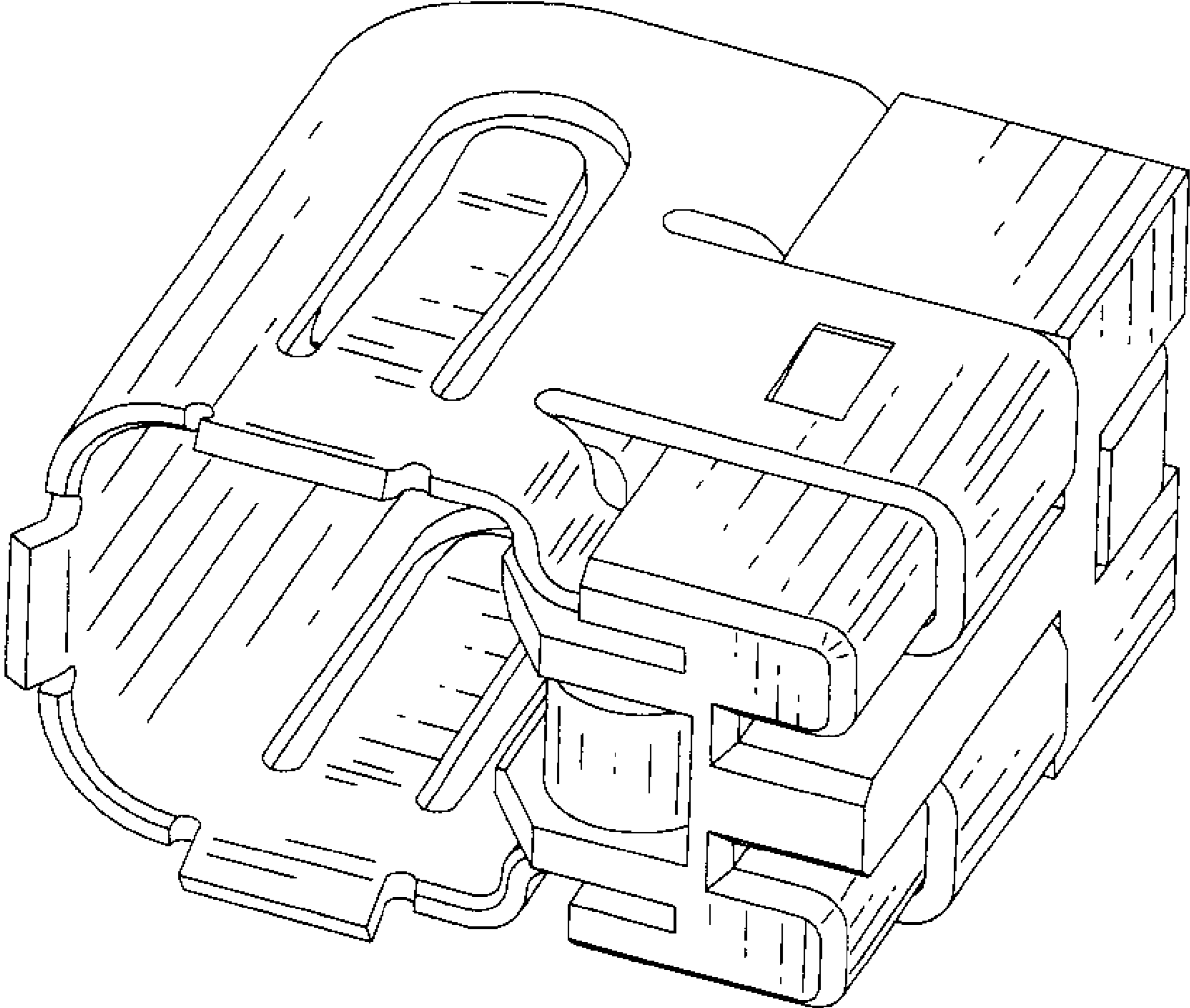


FIG. 1

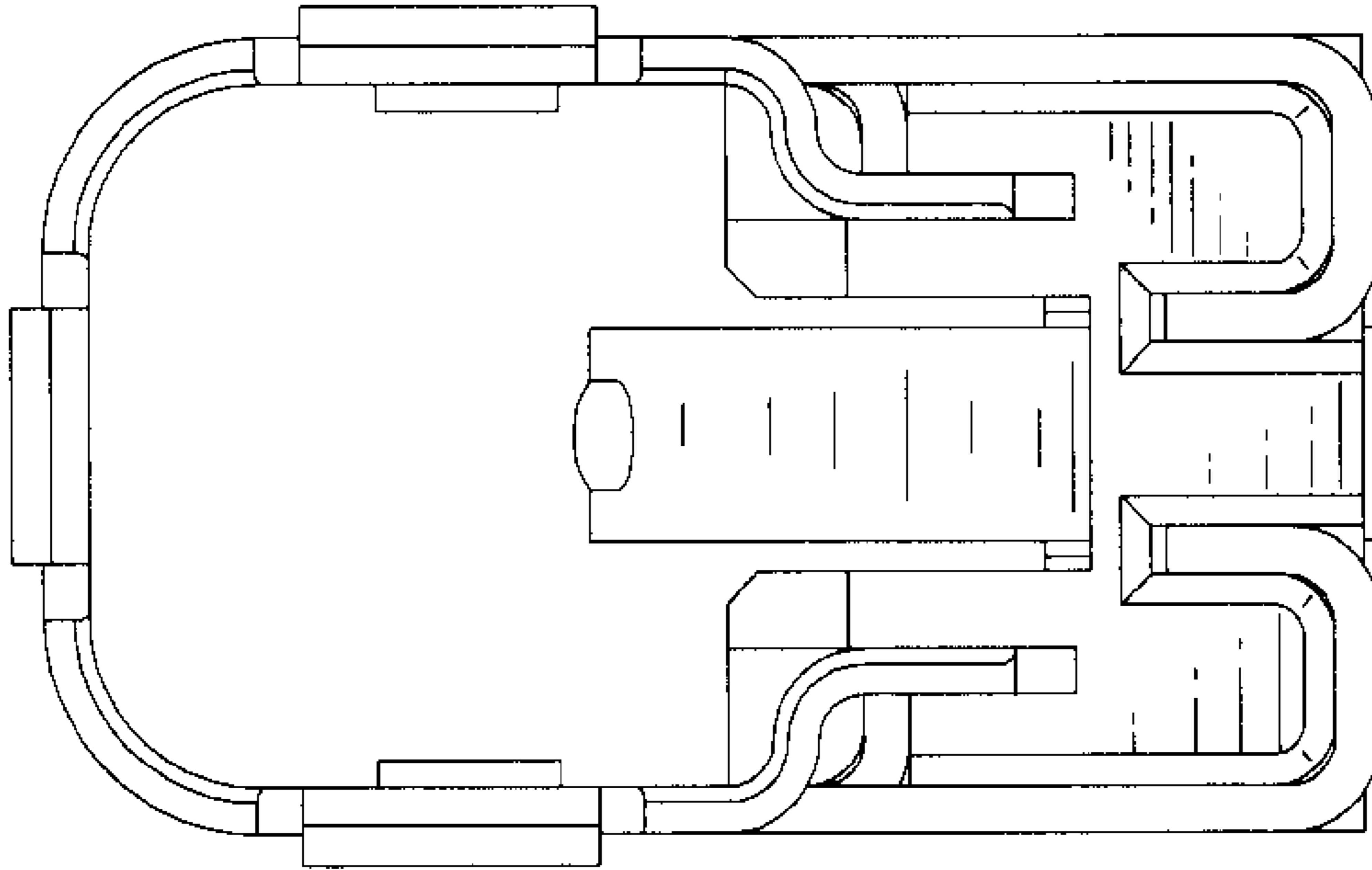


FIG. 2

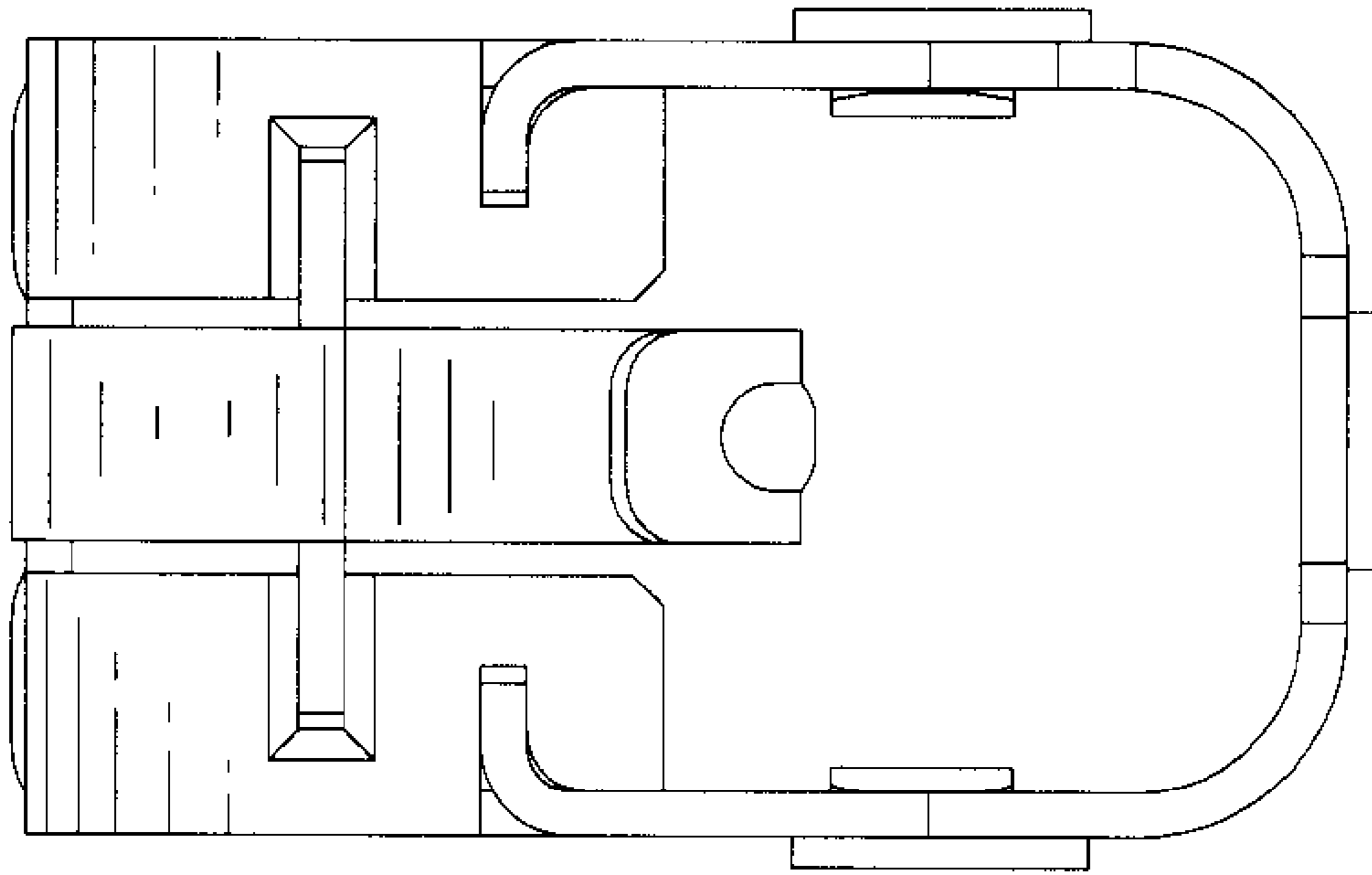


FIG. 3

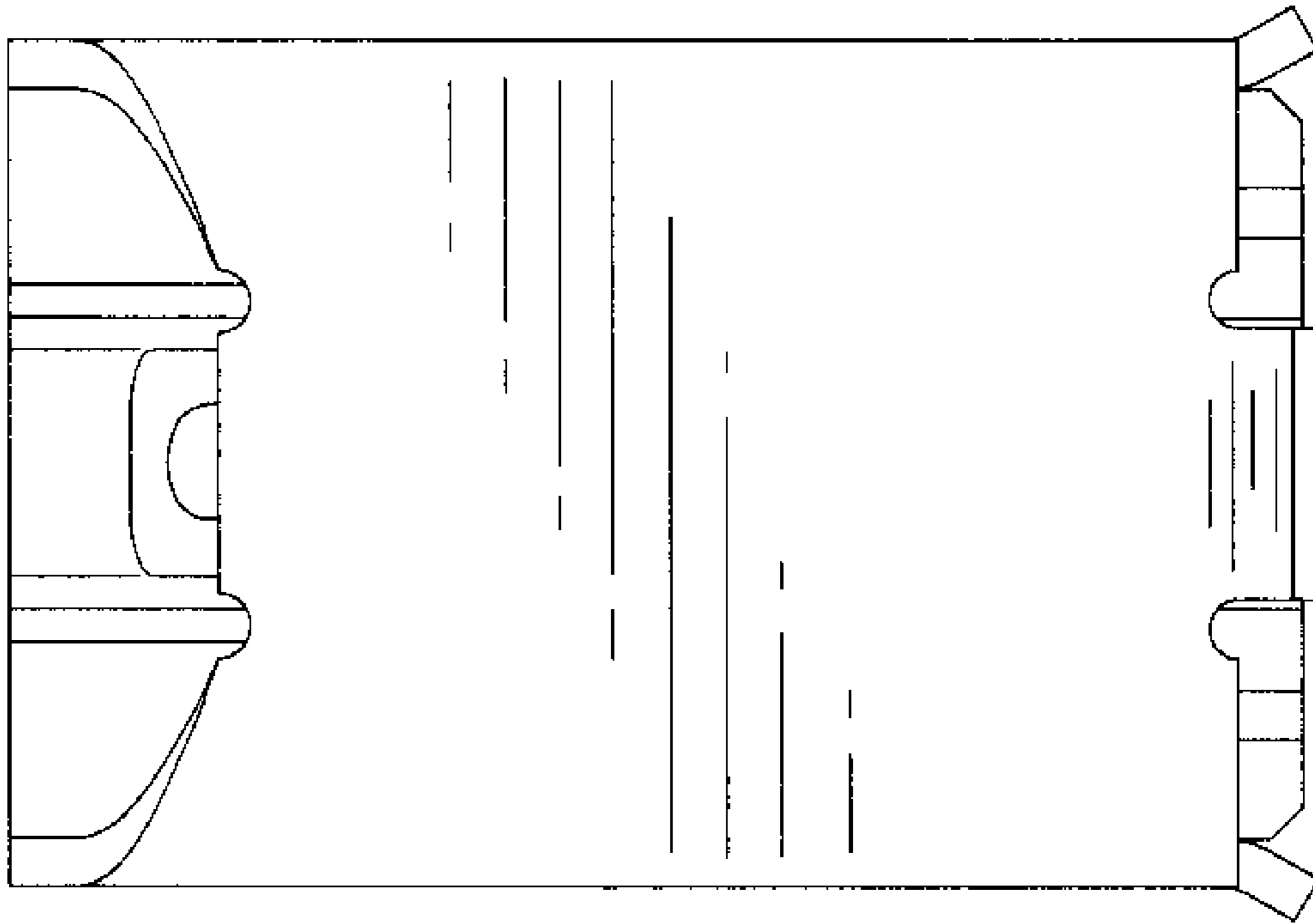


FIG. 4

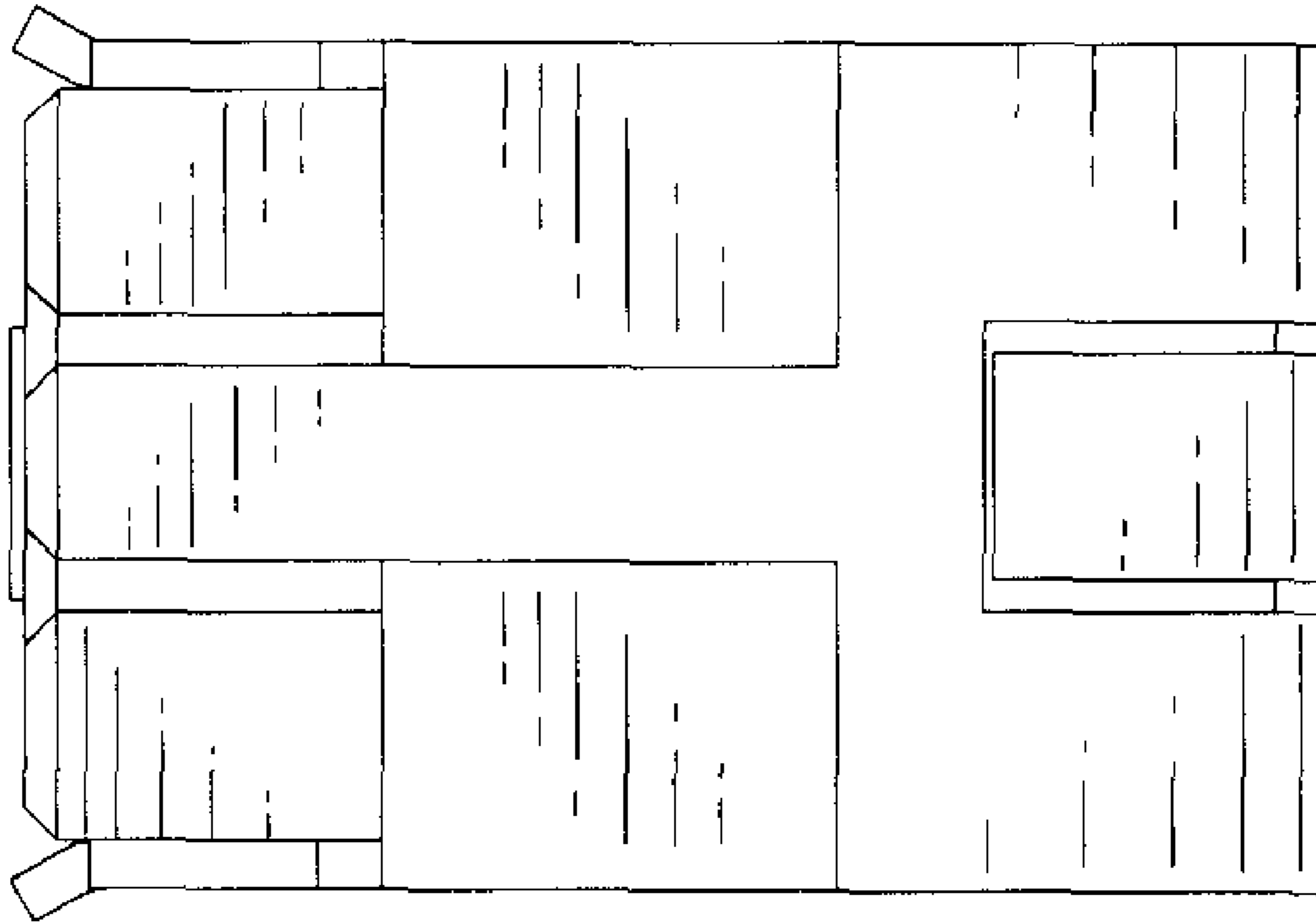


FIG. 5

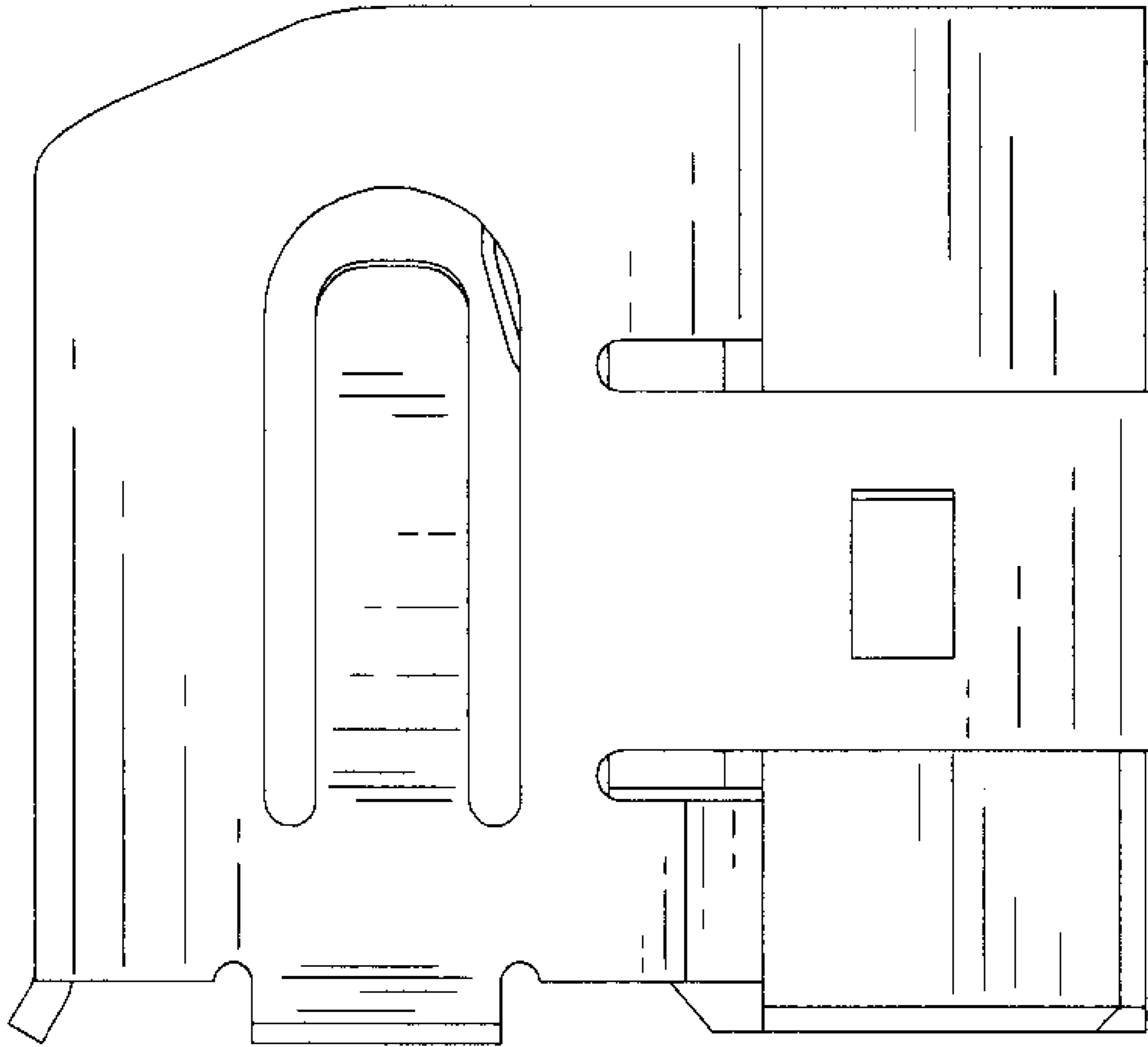


FIG. 6

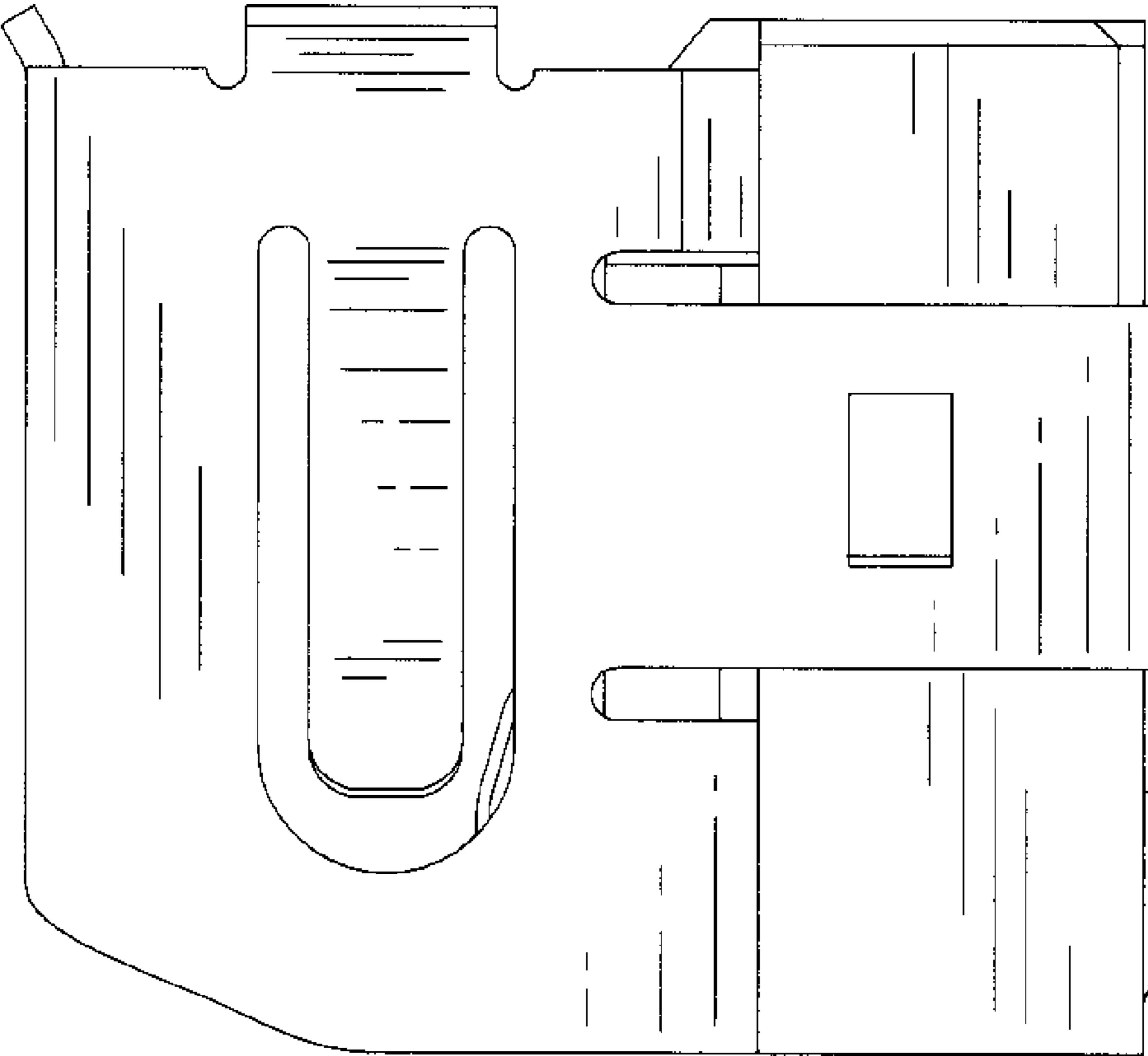


FIG. 7