



US00D535287S

(12) **United States Design Patent**
Patel

(10) **Patent No.:** **US D535,287 S**

(45) **Date of Patent:** **** Jan. 16, 2007**

(54) **SPEAKERS FOR HAND-HELD ELECTRONIC GAME APPARATUS**

D442,574 S * 5/2001 Ishii D14/168
D451,487 S * 12/2001 Ng D14/156
D473,856 S * 4/2003 Bhavnani D14/197
D482,015 S * 11/2003 Ng D14/168

(75) Inventor: **Ashvin Patel**, Wembley (GB)

* cited by examiner

(73) Assignee: **Logic 3 International Ltd.**, Wembley (GB)

Primary Examiner—Nanda Bondade

(**) Term: **14 Years**

(74) *Attorney, Agent, or Firm*—Leydig, Voit & Mayer, Ltd.

(21) Appl. No.: **29/226,192**

(57) **CLAIM**

(22) Filed: **Mar. 25, 2005**

The ornamental design for a speakers for hand-held electronic game apparatus, as shown and described.

(30) **Foreign Application Priority Data**

DESCRIPTION

Mar. 1, 2005 (HK) 0500397

(51) **LOC (8) Cl.** **14-01**

FIG. 1 is a front perspective view of speakers for hand-held electronic game apparatus showing my new design;

(52) **U.S. Cl.** **D14/215; D14/172**

FIG. 2 is a front and top perspective view thereof, with two parts partially separated;

(58) **Field of Classification Search** D14/204, D14/207, 209–216, 356, 172, 324, 333; 181/143–144, 181/147–148, 150, 157, 198–199, 151, 153; 381/300–302, 306, 333, 345, 361–364, 386–388, 381/332, 336

FIG. 3 is a front elevational view thereof;

FIG. 4 is a rear elevational view thereof;

FIG. 5 is a left side elevational view thereof;

FIG. 6 is a right side elevational view thereof;

FIG. 7 is a top plan view thereof; and,

FIG. 8 is a bottom plan view thereof.

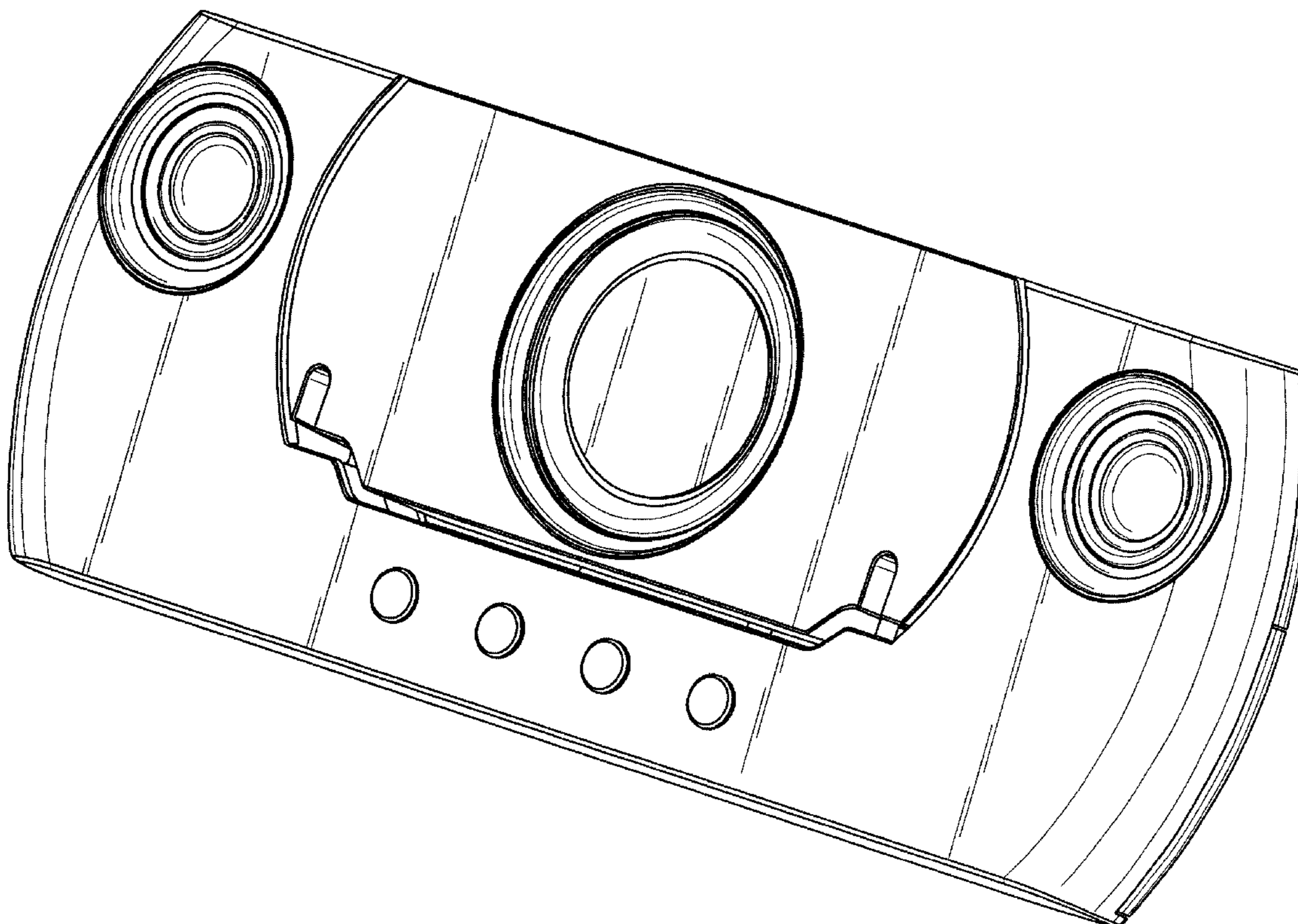
See application file for complete search history.

(56) **References Cited**

U.S. PATENT DOCUMENTS

4,450,495 A * 5/1984 Naruki 381/387

1 Claim, 7 Drawing Sheets



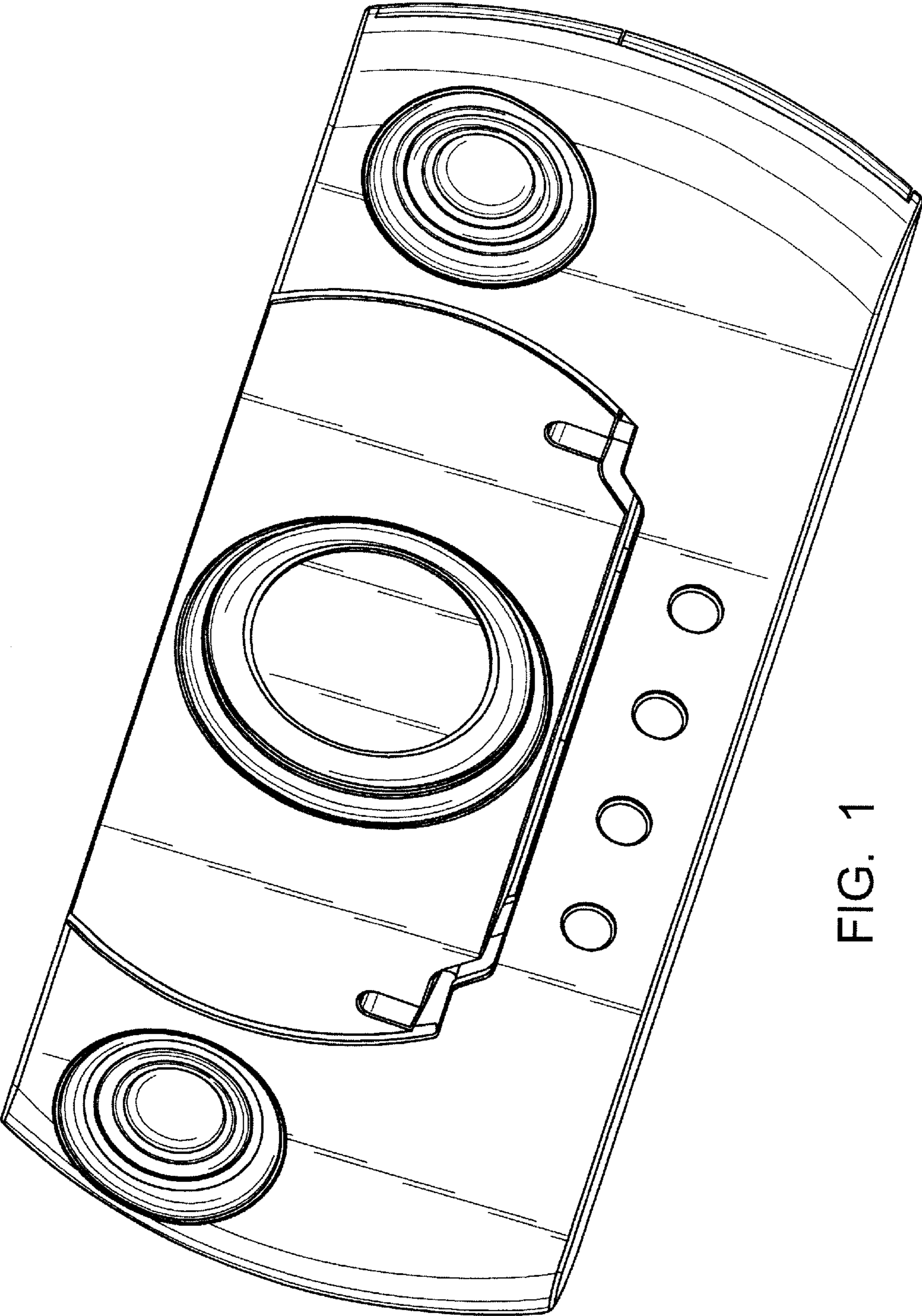


FIG. 1

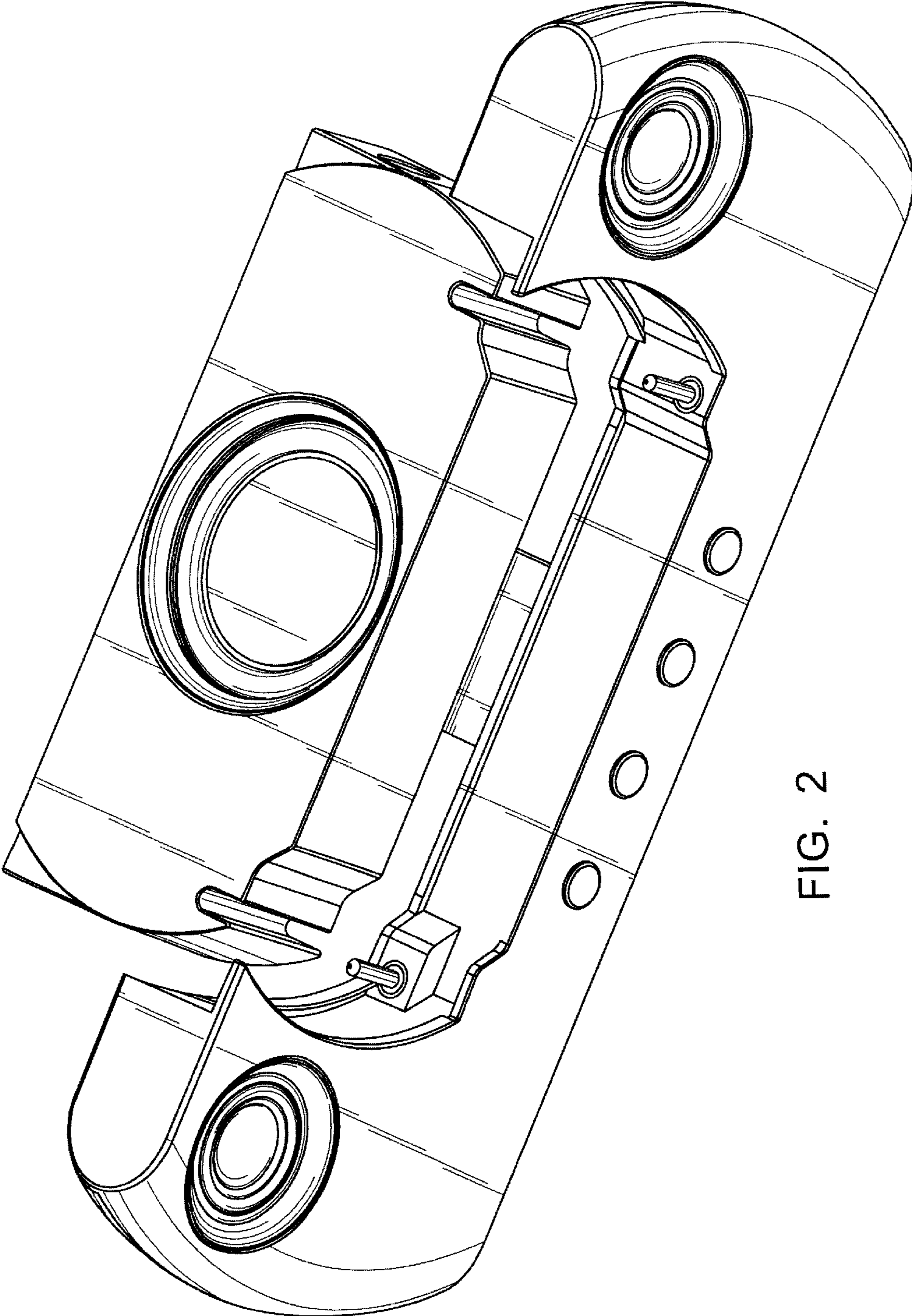


FIG. 2

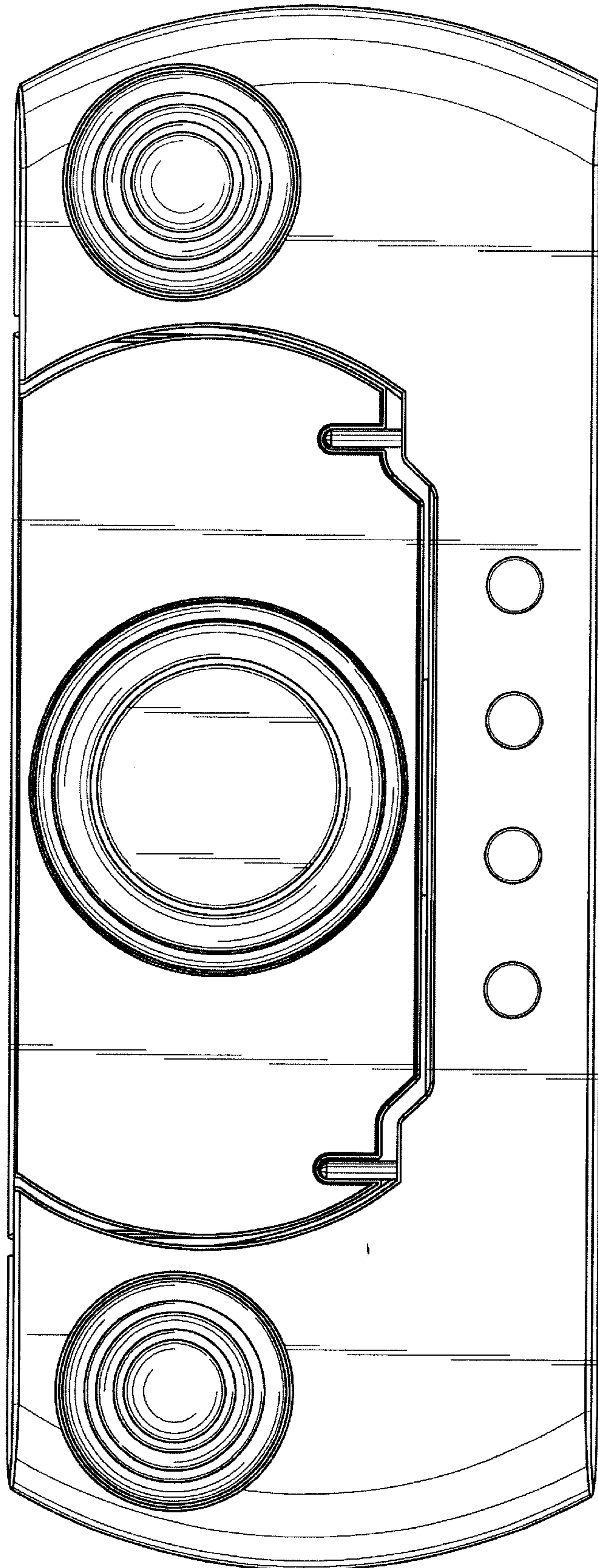


FIG. 3

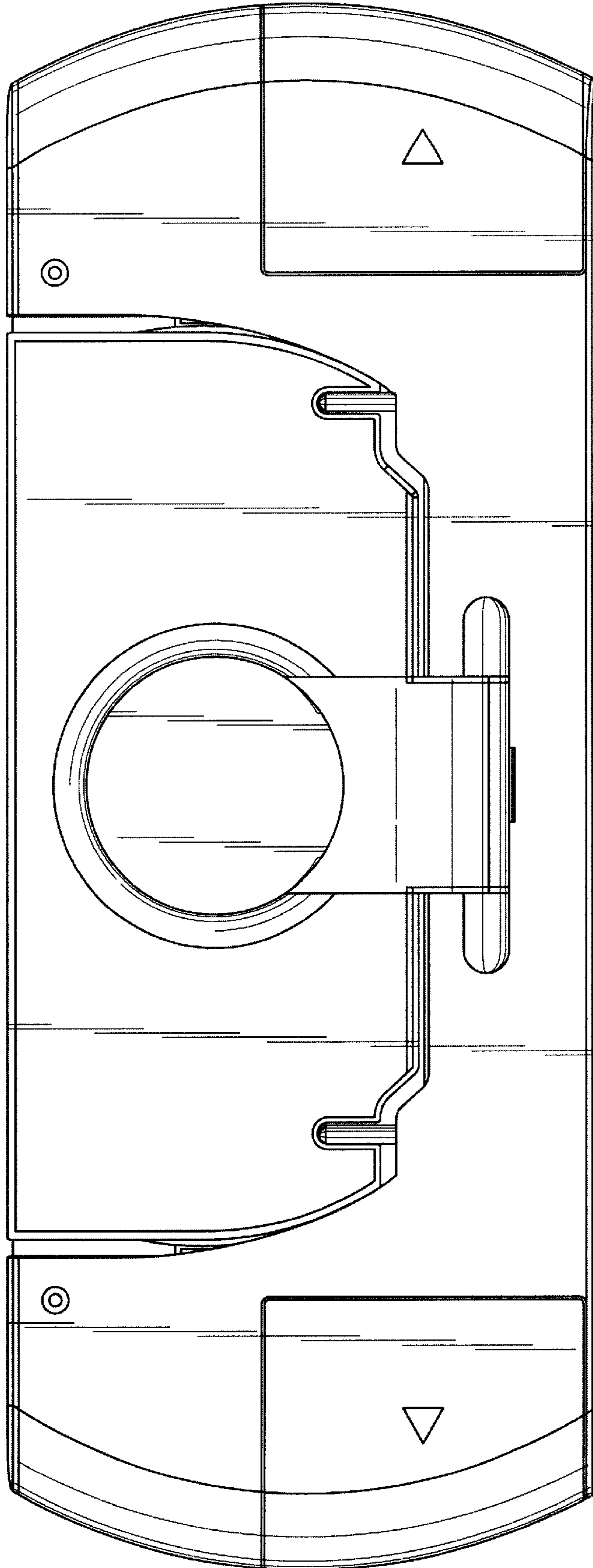


FIG. 4

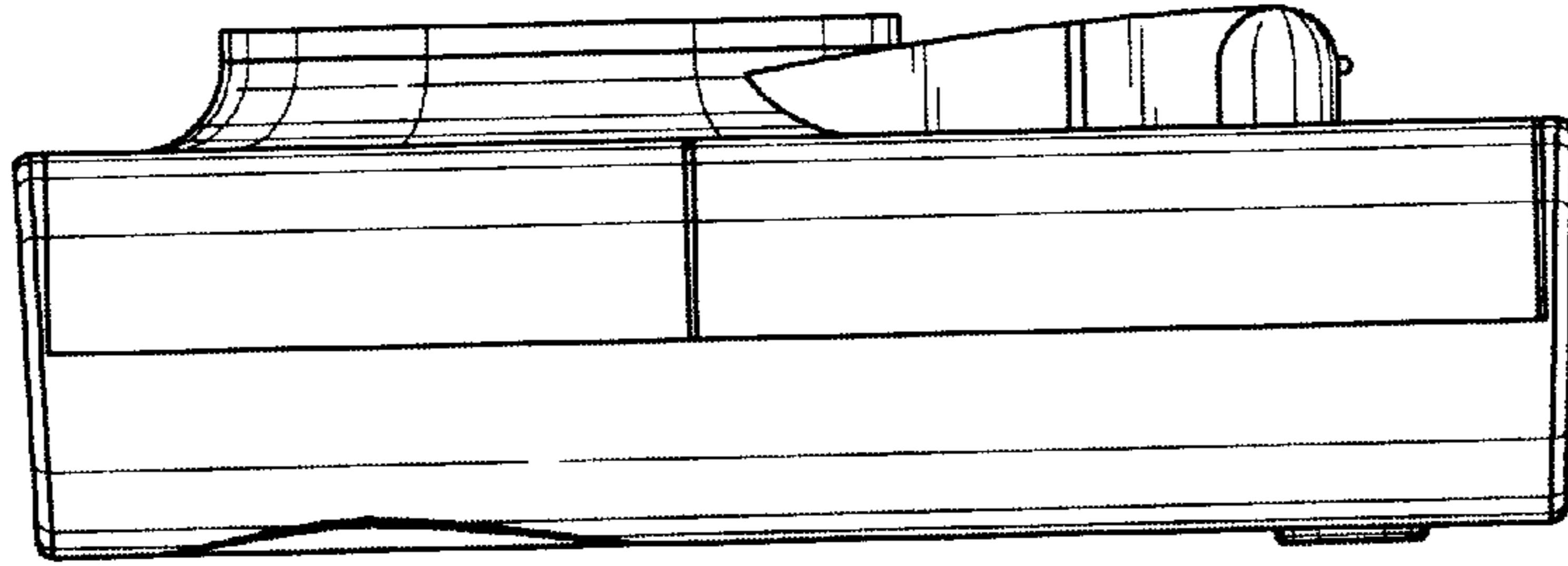


FIG. 6

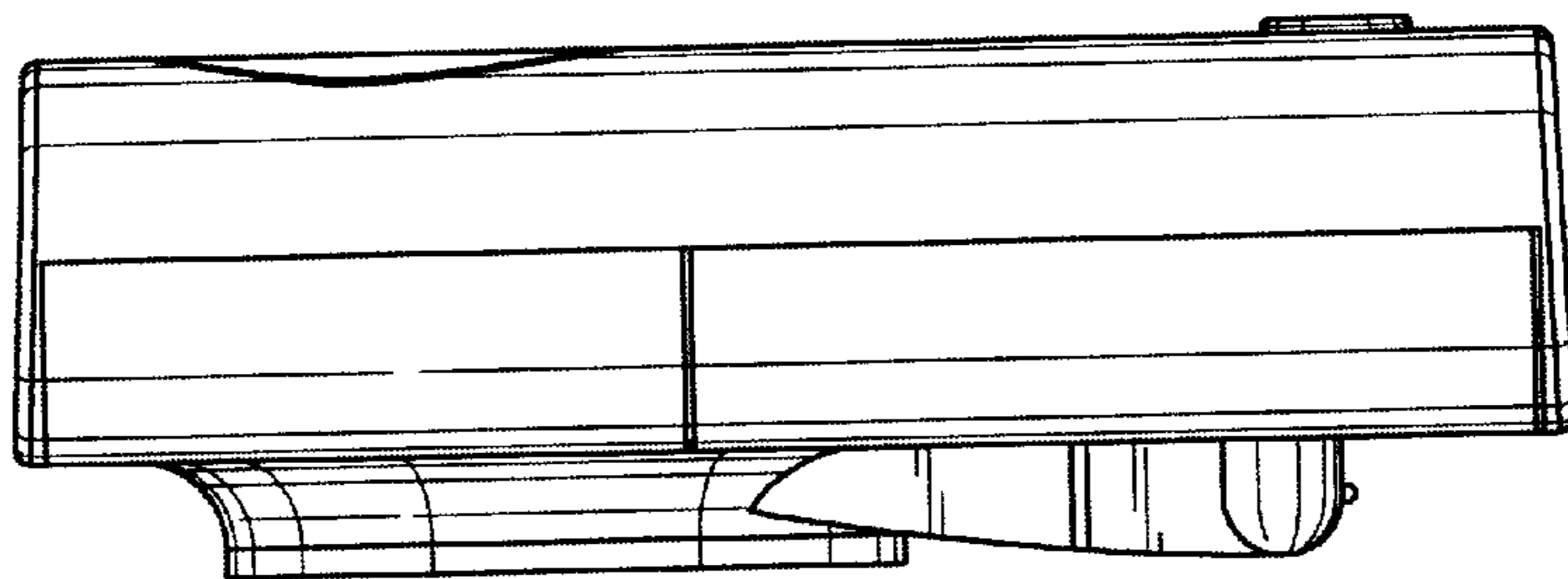


FIG. 5

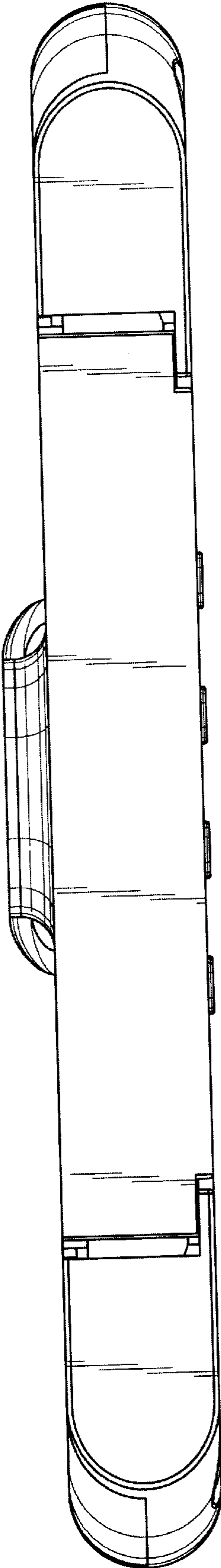


FIG. 7

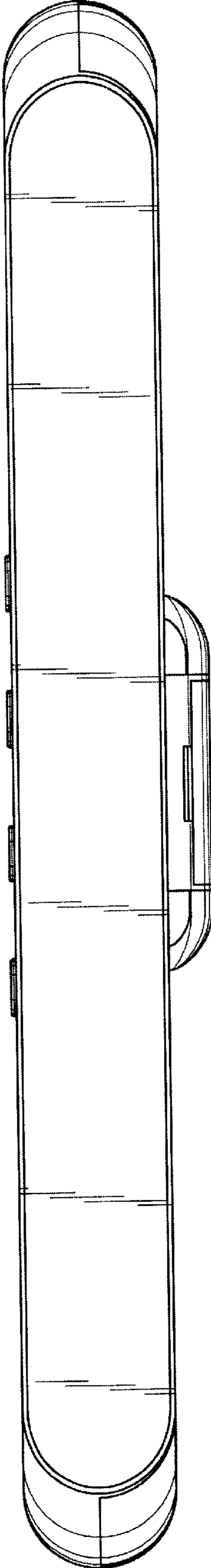


FIG. 8