



US00D535284S

(12) **United States Design Patent**
Peng

(10) **Patent No.:** **US D535,284 S**

(45) **Date of Patent:** **** Jan. 16, 2007**

(54) **AUDIO TUNER**

(75) Inventor: **Juen-Tien Peng, Chung Li (TW)**

(73) Assignee: **Action Electronics Co., Ltd, Chung Li (TW)**

(**) Term: **14 Years**

(21) Appl. No.: **29/241,146**

(22) Filed: **Oct. 25, 2005**

(51) **LOC (8) Cl.** **14-03**

(52) **U.S. Cl.** **D14/188**

(58) **Field of Classification Search** D14/188,
D14/168, 172, 175, 183, 184, 194, 195, 265;
455/344-351, 90, 575.1; 369/1, 6-12
See application file for complete search history.

(56) **References Cited**

U.S. PATENT DOCUMENTS

- 5,109,539 A * 4/1992 Inubushi et al. 455/575.1
- D379,627 S * 6/1997 Takahashi D14/171
- 6,049,290 A * 4/2000 Halstead 340/7.63
- 6,127,933 A * 10/2000 Ohmura et al. 340/636.1

- D434,749 S * 12/2000 Ito et al. D14/168
- D453,752 S * 2/2002 Lee D14/192
- D481,374 S * 10/2003 Lee D14/188
- D489,704 S * 5/2004 Kim D14/188
- D490,070 S * 5/2004 Lee D14/188
- D491,161 S * 6/2004 Tang D14/188

* cited by examiner

Primary Examiner—Prabhakar Deshmukh

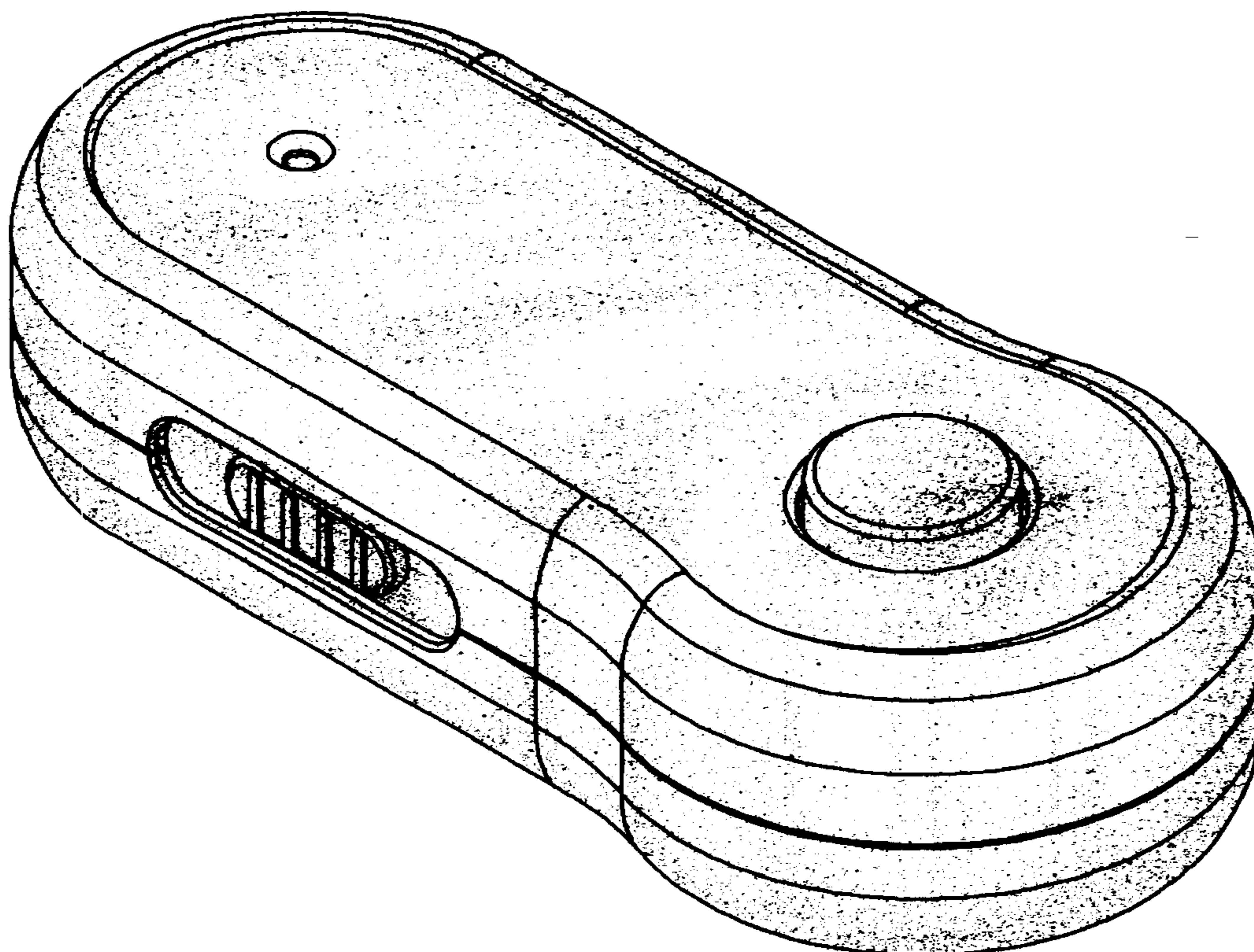
(57) **CLAIM**

The ornamental design for an audio tuner, as shown and described.

DESCRIPTION

FIG. 1 is a perspective view of an audio tuner showing the new design;
 FIG. 2 is a front view thereof;
 FIG. 3 is a rear view thereof;
 FIG. 4 is a left side elevational view thereof;
 FIG. 5 is a right side elevational view thereof;
 FIG. 6 is a top view thereof; and,
 FIG. 7 is a bottom view thereof.

1 Claim, 4 Drawing Sheets



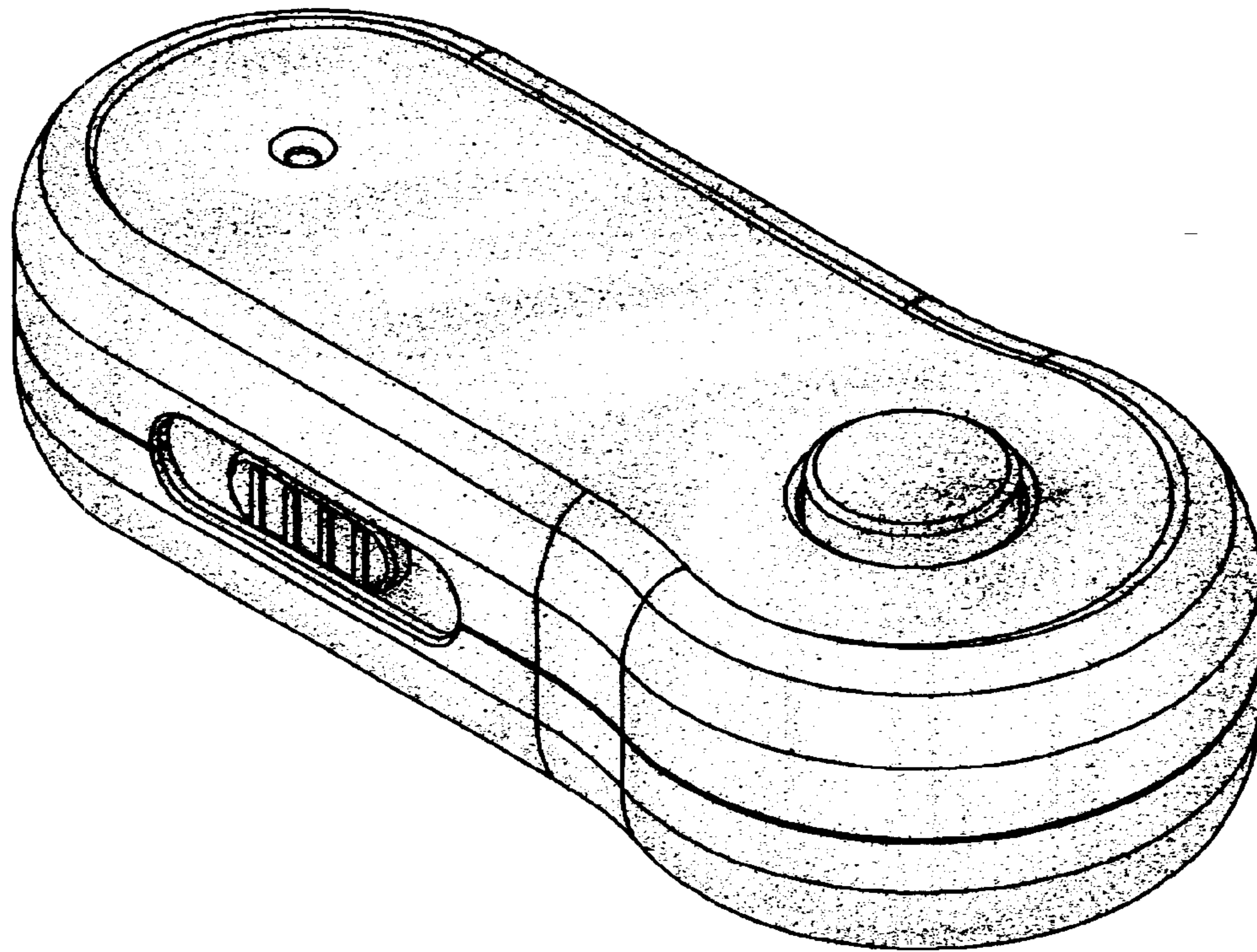


Fig. 1

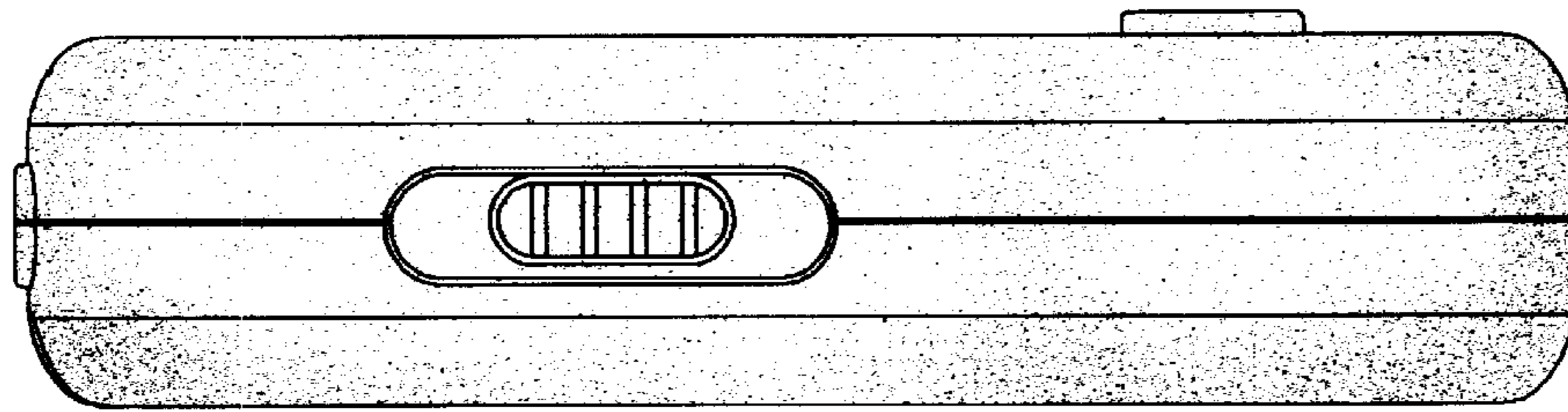


Fig. 2

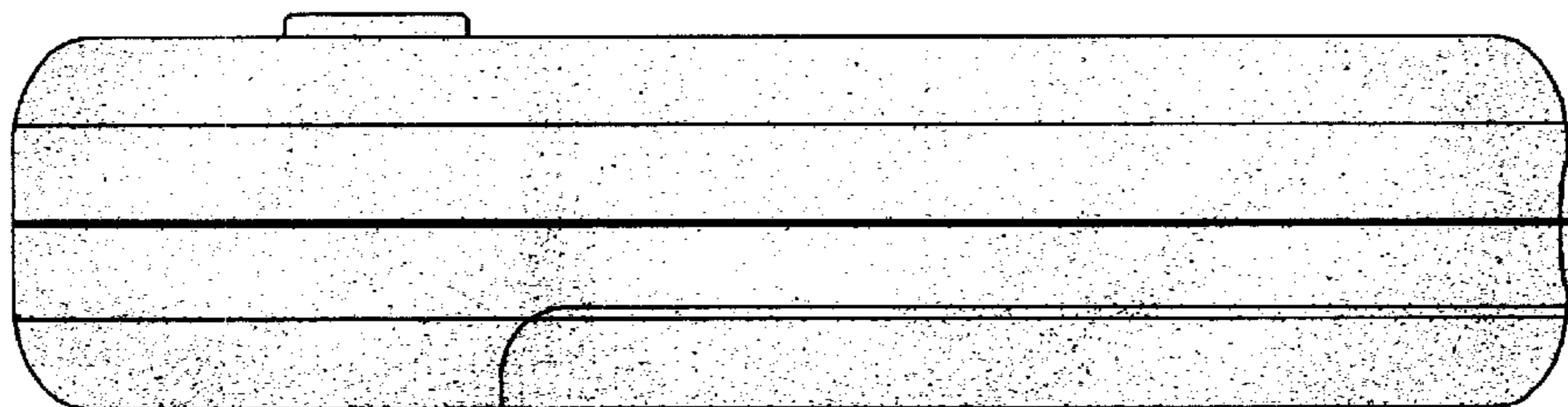


Fig. 3

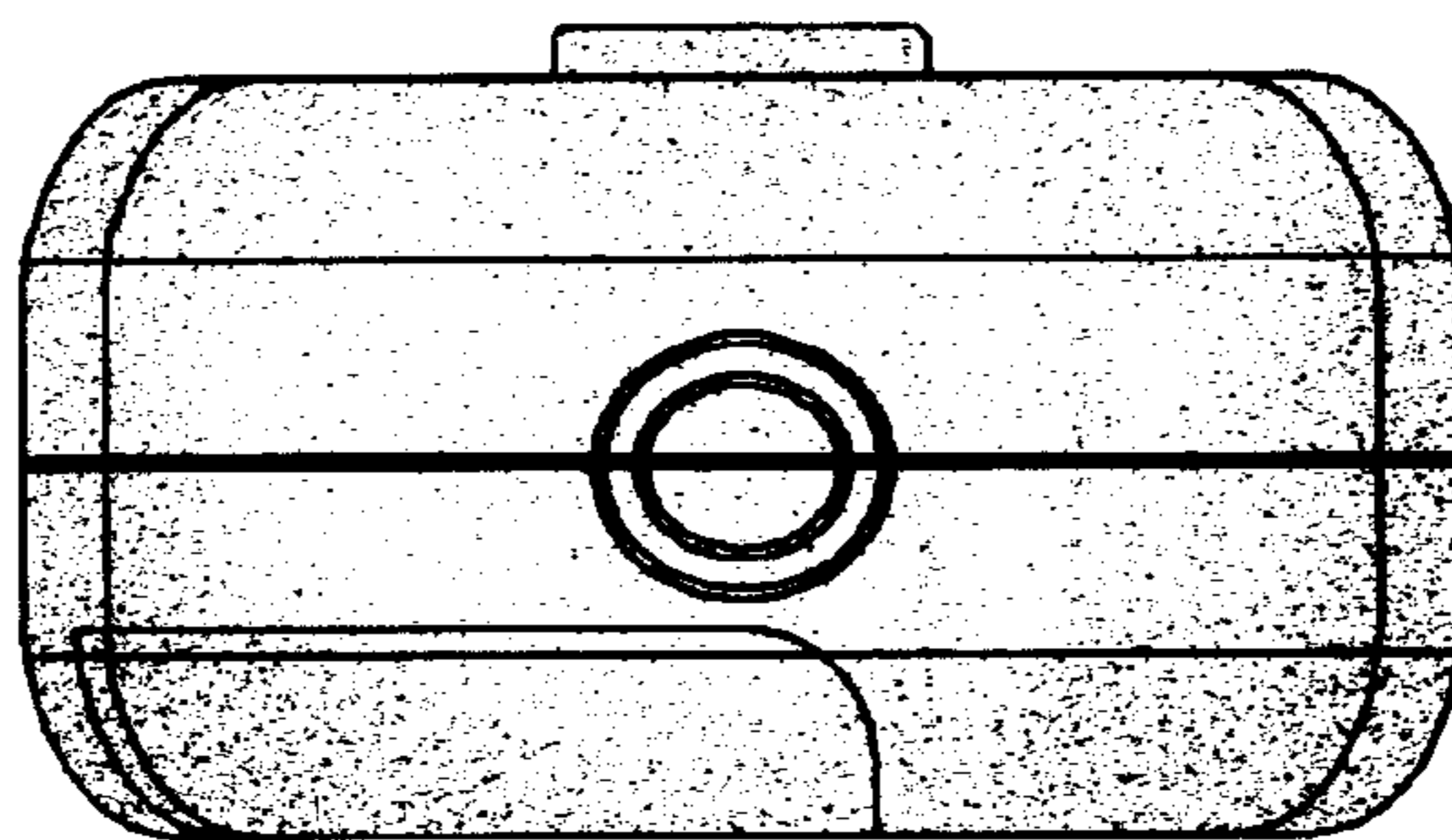


Fig. 4

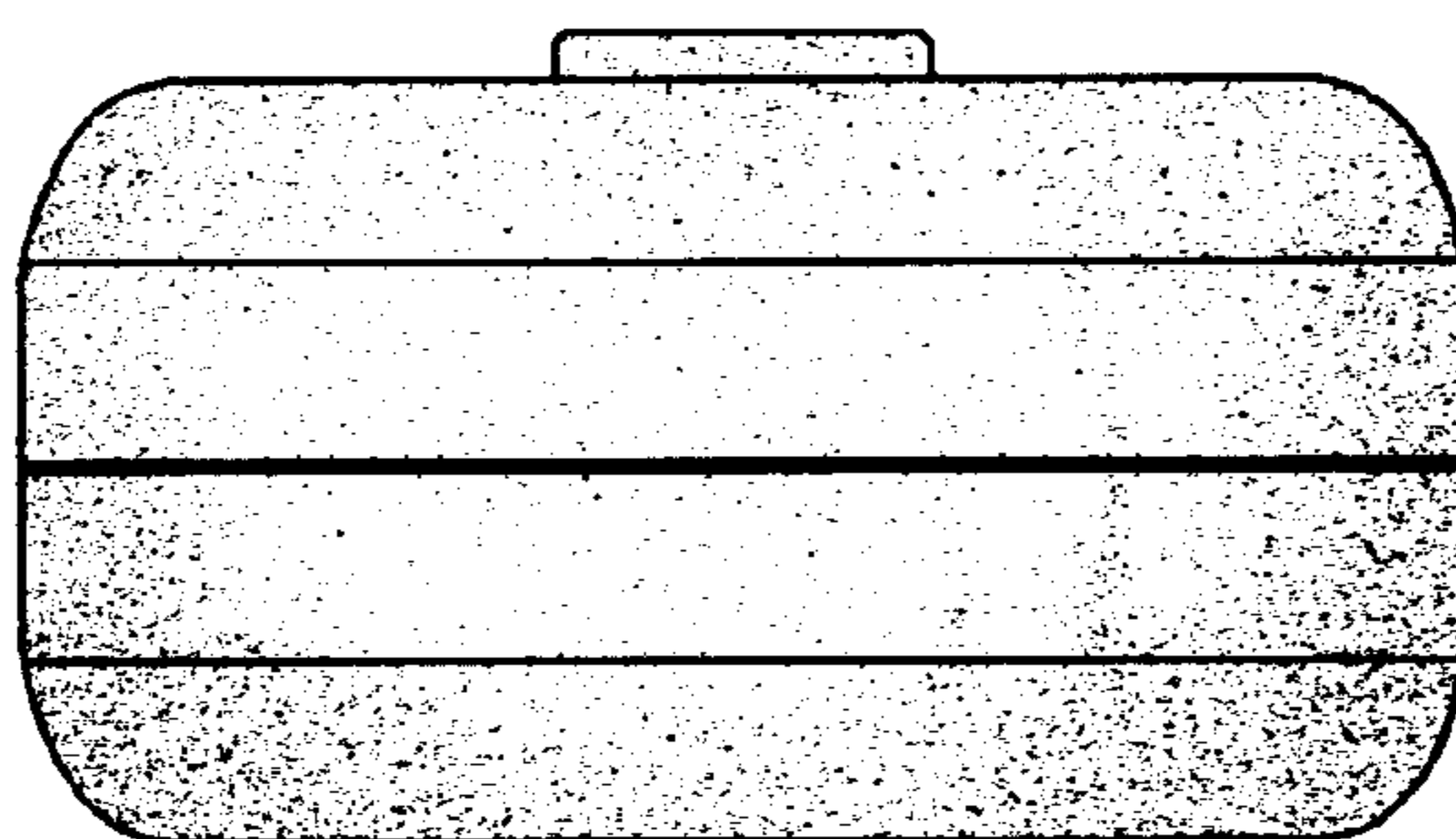


Fig. 5

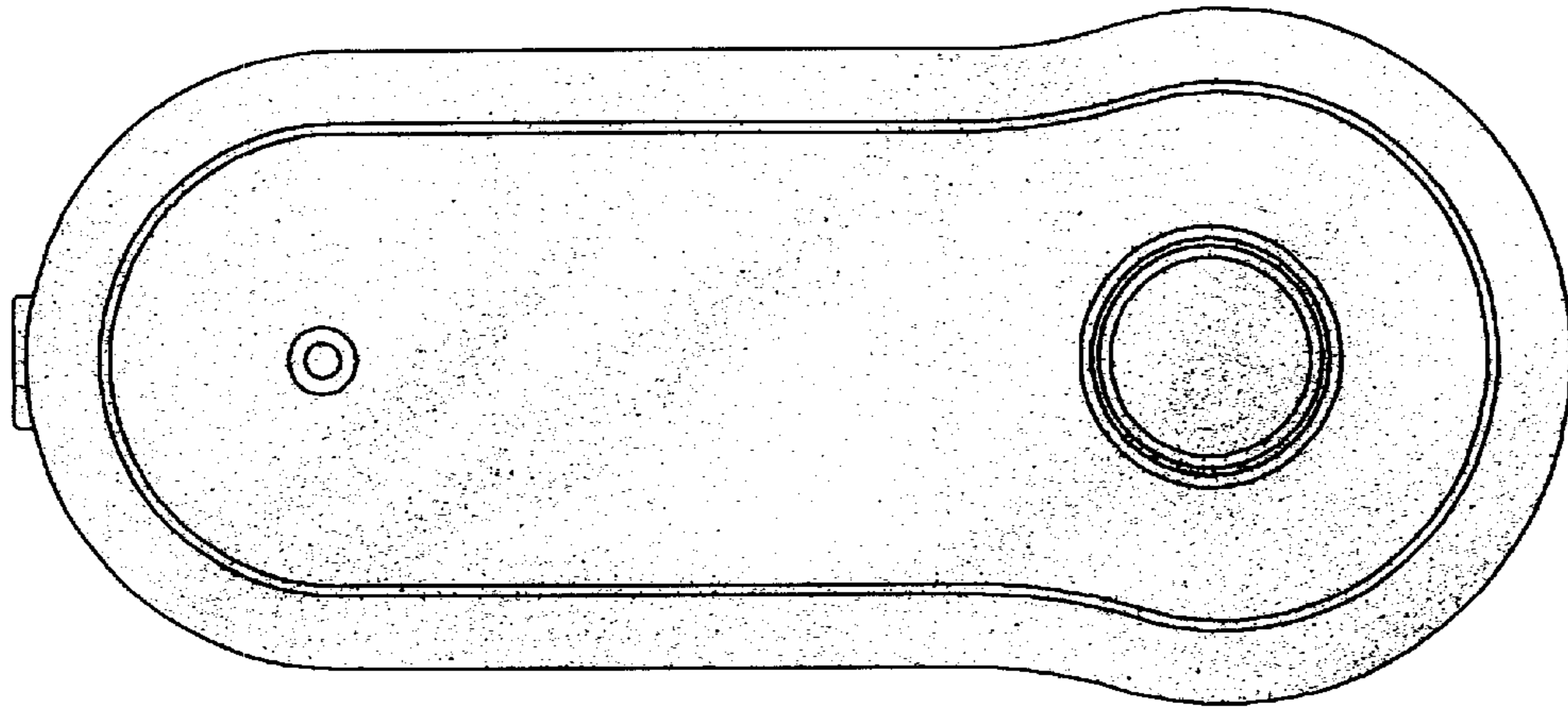


Fig. 6

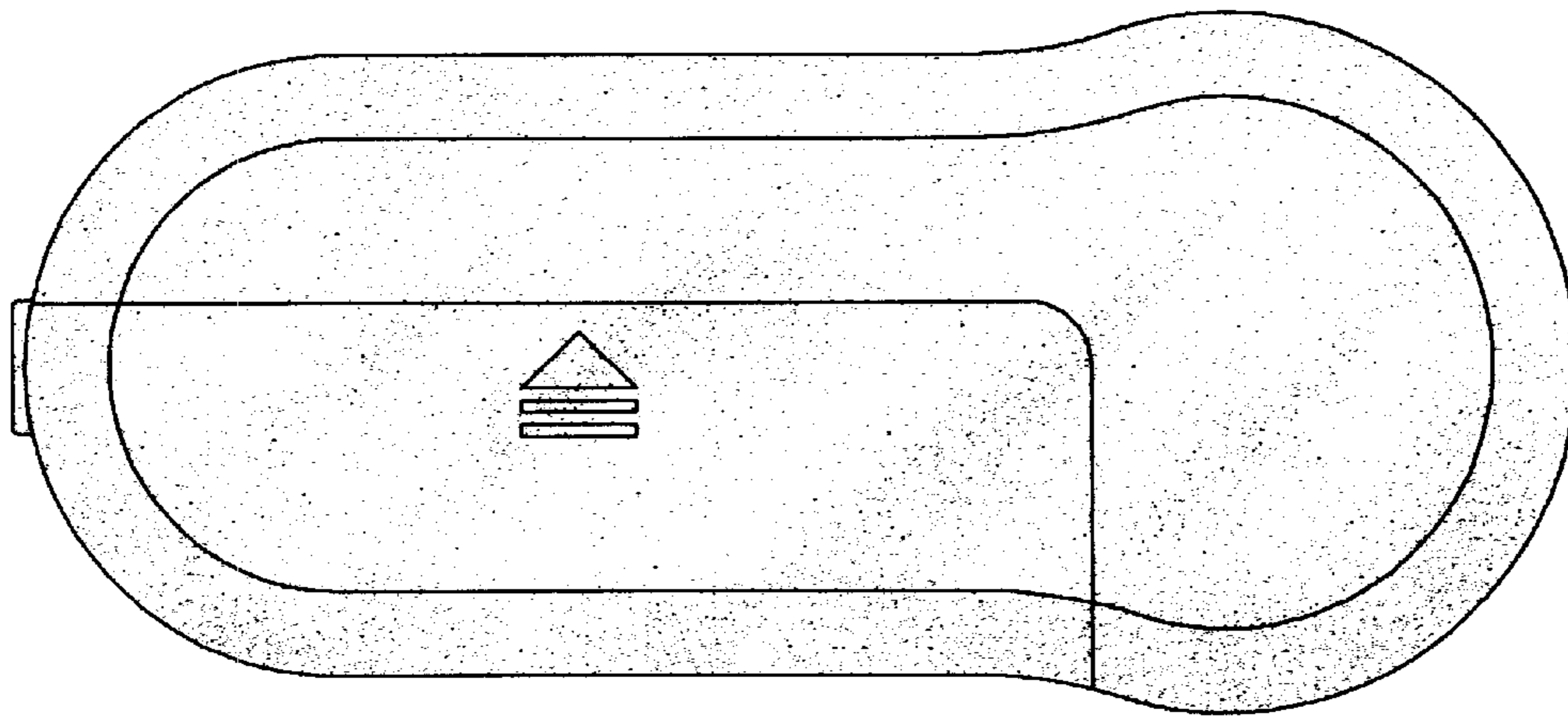


Fig. 7