



US00D535281S

(12) **United States Design Patent**
Yang

(10) **Patent No.:** **US D535,281 S**
(45) **Date of Patent:** **** Jan. 16, 2007**

(54) **SOUND RECORDING AND REPRODUCING APPARATUS**

(75) Inventor: **Deok-Joon Yang**, Seoul (KR)

(73) Assignee: **Reigncom Ltd.**, Seoul (KR)

(**) Term: **14 Years**

(21) Appl. No.: **29/234,961**

(22) Filed: **Jul. 25, 2005**

(30) **Foreign Application Priority Data**

May 10, 2005 (KR) 30-2005-0015569

(51) **LOC (8) Cl.** **14-01**

(52) **U.S. Cl.** **D14/167**

(58) **Field of Classification Search** D14/167,
D14/154, 168, 188, 496, 156, 160, 161, 162,
D14/163, 164, 165, 192; D16/208; D26/38;
455/351, 350

See application file for complete search history.

(56) **References Cited**

U.S. PATENT DOCUMENTS

D374,871 S	*	10/1996	Taniguchi	D14/136
D404,666 S	*	1/1999	Wrisley	D10/78
D423,468 S	*	4/2000	Jenkins	D14/342
D489,731 S	*	5/2004	Huang	D14/496
D492,323 S	*	6/2004	Wang	D14/496
D494,562 S	*	8/2004	Lee	D14/156
D499,423 S	*	12/2004	Bahroocha et al.	D14/496
D500,298 S	*	12/2004	Yang	D14/156

D509,819 S	*	9/2005	Yang	D14/156
D509,833 S	*	9/2005	Yang	D14/496
D512,435 S	*	12/2005	Yang	D14/496
D516,578 S	*	3/2006	Matsuoka	D14/496
D520,020 S	*	5/2006	Senda et al.	D14/496
D523,445 S	*	6/2006	Toh	D14/496
D523,446 S	*	6/2006	Peng	D14/496

* cited by examiner

Primary Examiner—Cathron C. Brooks

Assistant Examiner—Austin Murphy

(74) *Attorney, Agent, or Firm*—Lee, Hong, Degerman, Kang & Schmadeka

(57) **CLAIM**

The ornamental design for a sound recording and reproducing apparatus, as shown and described.

DESCRIPTION

FIG. 1 is a front perspective view of a sound recording and reproducing apparatus thereof;

FIG. 2 is a front elevational view thereof;

FIG. 3 is a rear elevational view thereof;

FIG. 4 is a left side elevational view thereof;

FIG. 5 is a right side elevational view thereof;

FIG. 6 is a top plan view thereof;

FIG. 7 is a bottom plan view thereof; and,

FIG. 8 is another front perspective view showing in broken lines a window to insert a medium for recording thereon.

Any broken lines showing of certain structures and environments is for illustrative purposes only and forms no part of the claimed design.

1 Claim, 8 Drawing Sheets

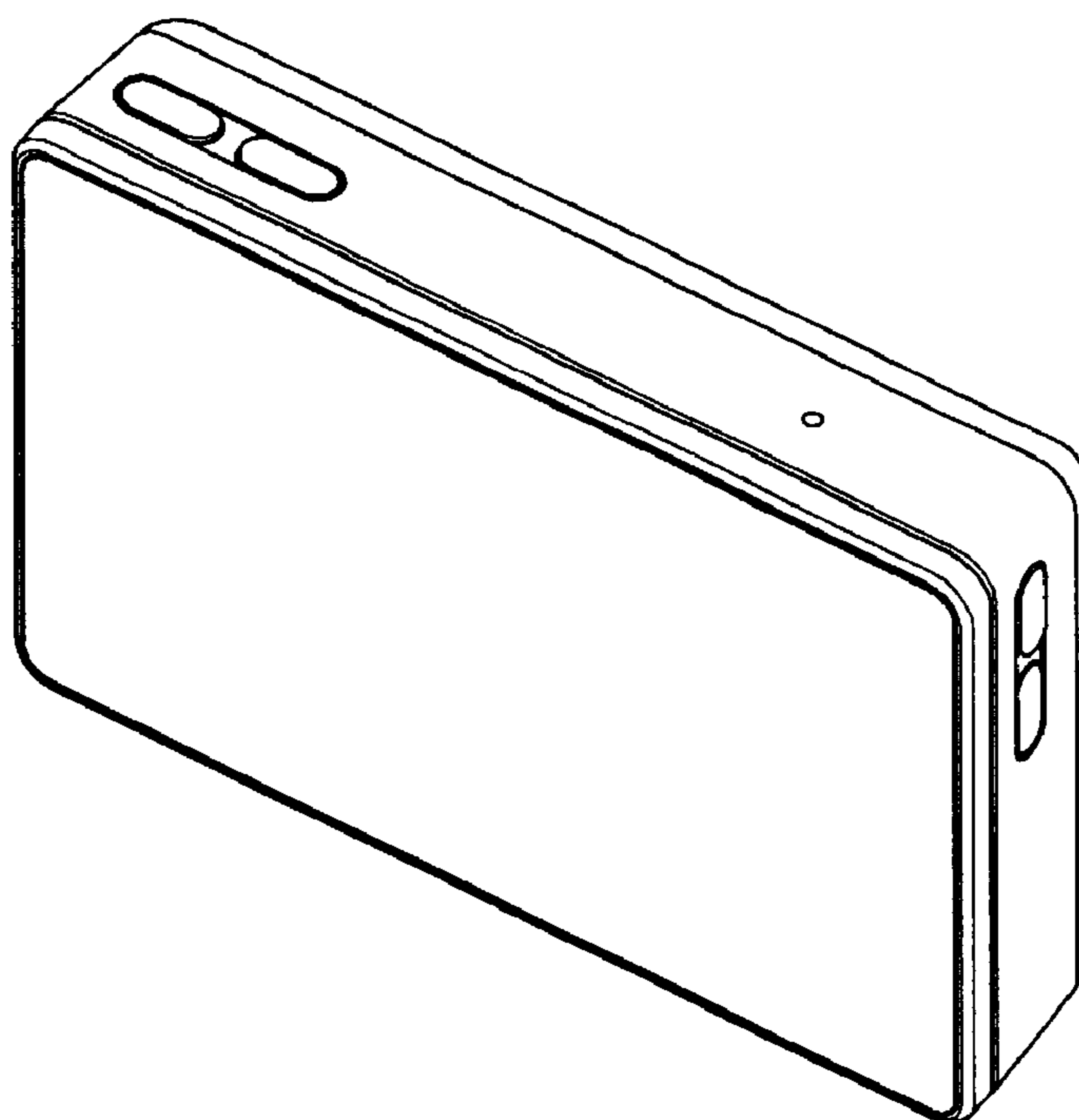


FIG. 1

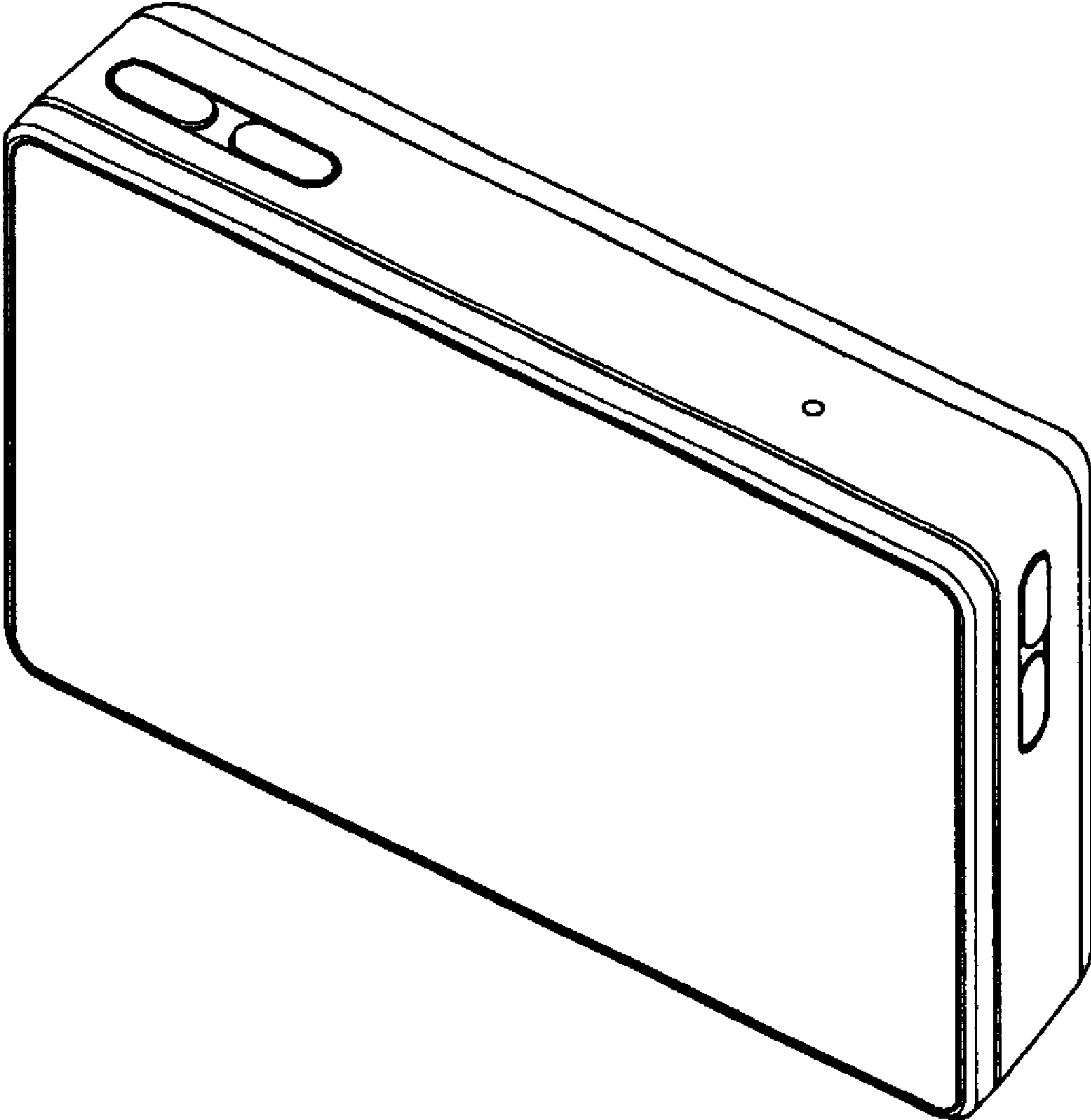


FIG. 2

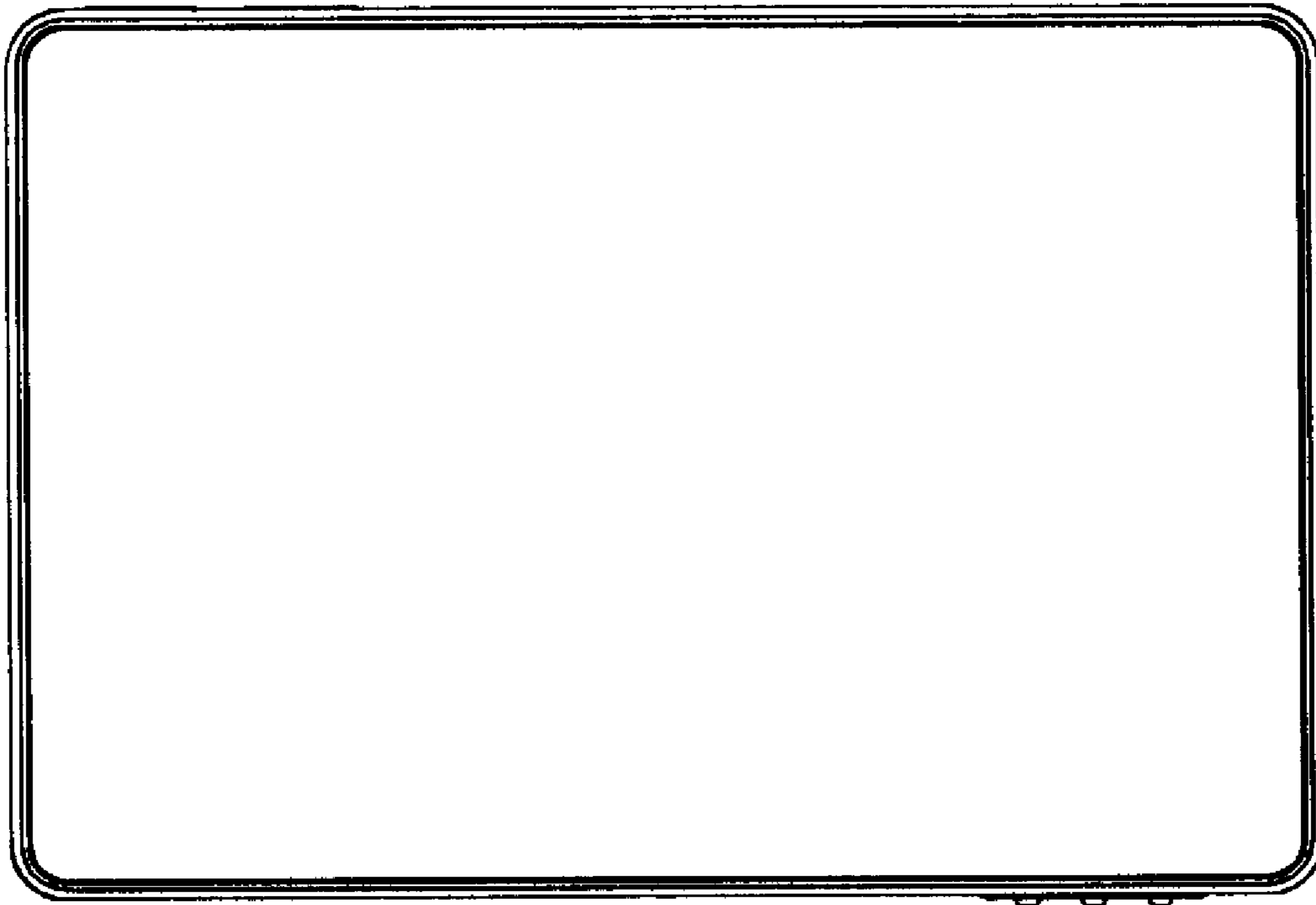


FIG. 3

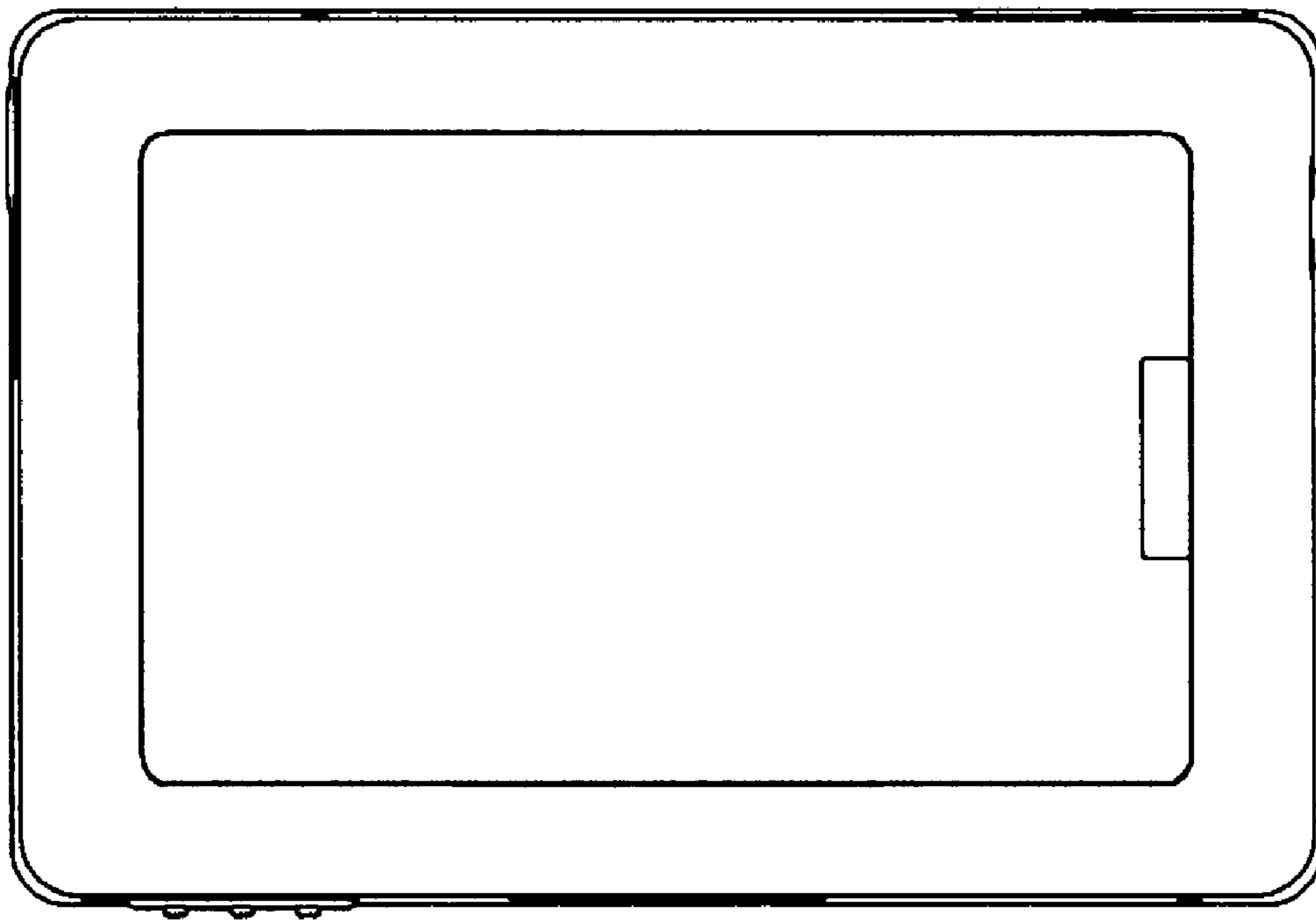


FIG. 4

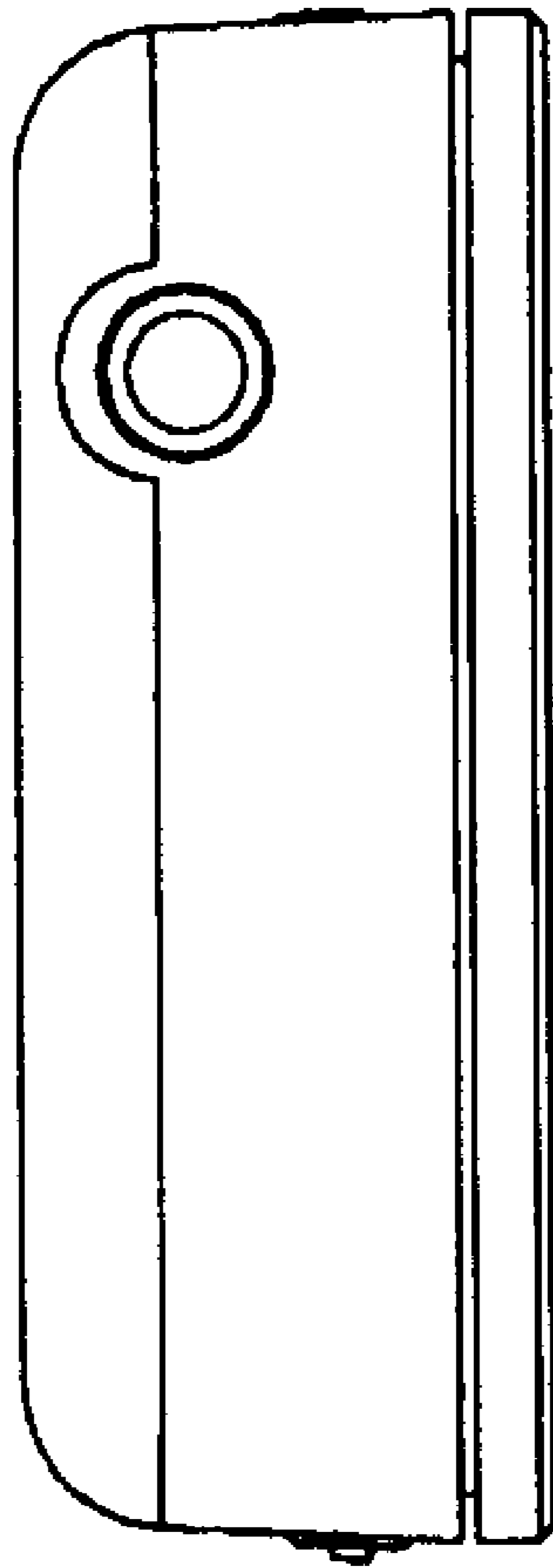


FIG. 5

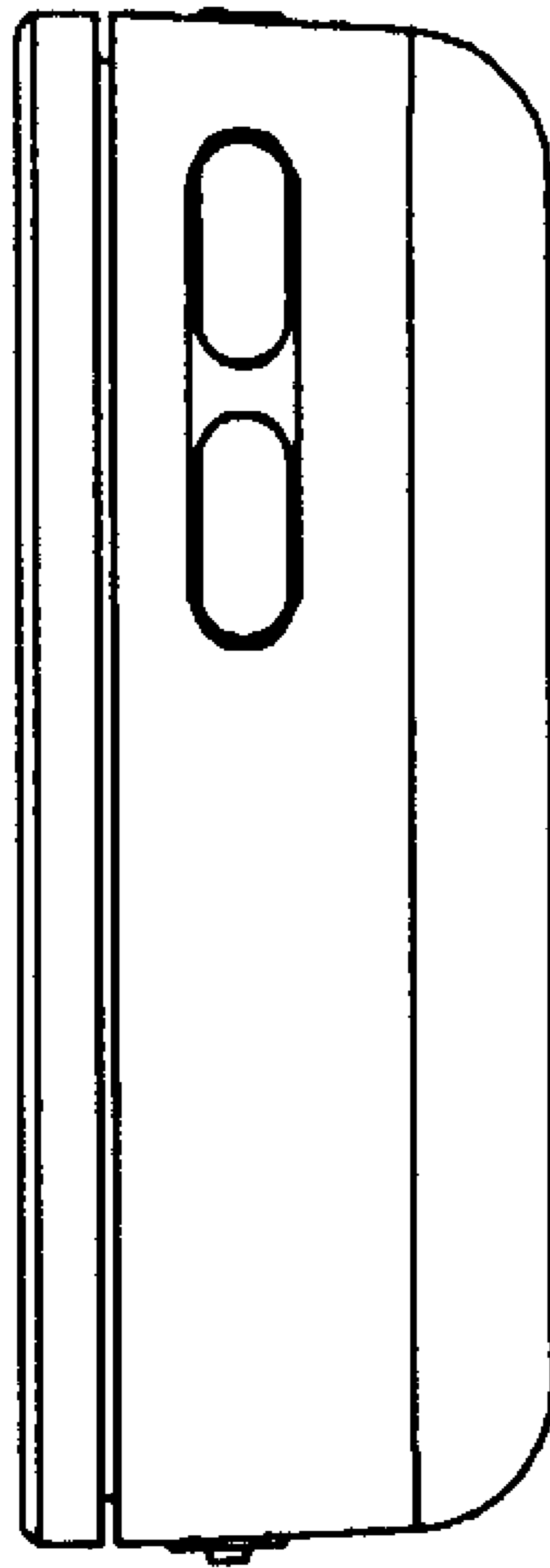


FIG. 6

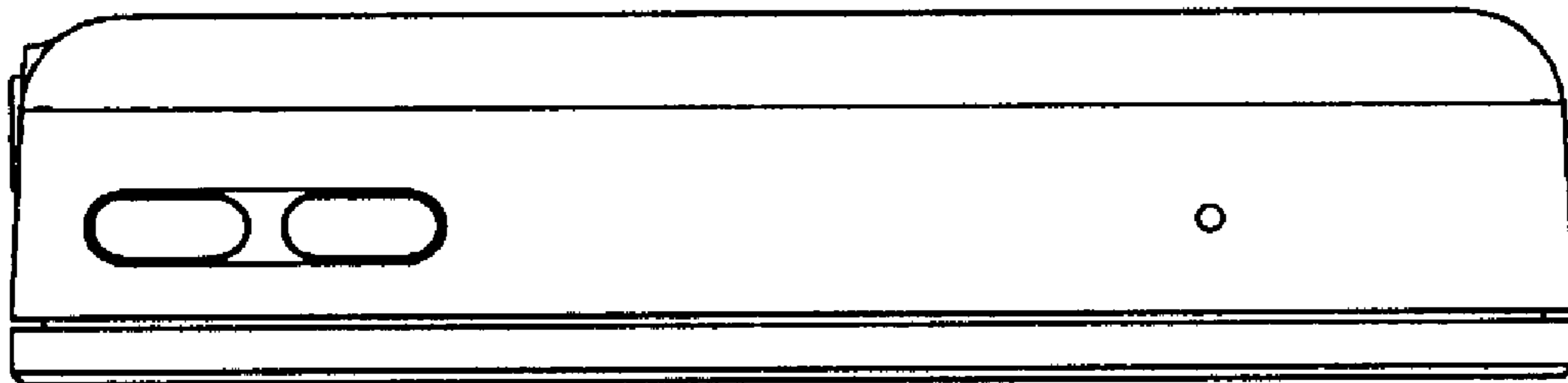


FIG. 7

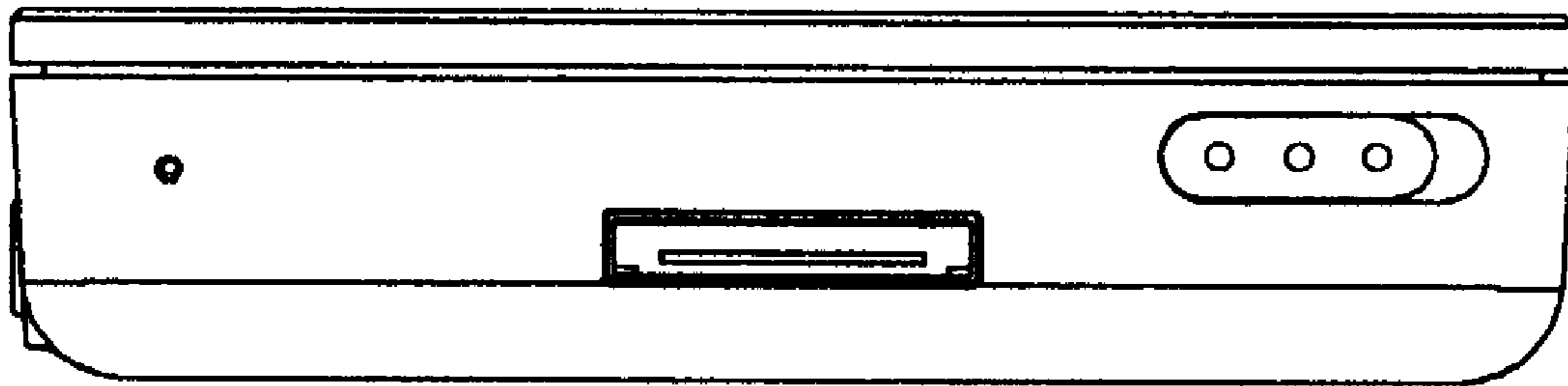


Fig 8

