



US00D535279S

(12) **United States Design Patent**
Krieger et al.

(10) **Patent No.:** **US D535,279 S**

(45) **Date of Patent:** **** Jan. 16, 2007**

(54) **TRANSMITTER**

(75) Inventors: **Michael Krieger**, Miami Beach, FL
(US); **Kevin Ellsworth**, Alva, FL (US)

(73) Assignee: **Vector Products, Inc.**, Ft. Lauderdale,
FL (US)

(**) Term: **14 Years**

(21) Appl. No.: **29/241,669**

(22) Filed: **Nov. 1, 2005**

(51) **LOC (8) Cl.** **14-03**

(52) **U.S. Cl.** **D14/155**

(58) **Field of Classification Search** D14/167,
D14/154, 168, 188, 496, 156, 218, 160, 161,
D14/162, 163, 164, 165, 191, 192; D16/208;
D26/38; D10/104; 455/350, 351
See application file for complete search history.

(56) **References Cited**

U.S. PATENT DOCUMENTS

D333,633 S	*	3/1993	Issa	D10/106
D340,455 S	*	10/1993	Christian	D14/217
D356,793 S	*	3/1995	Scheid et al.	D14/191
D379,814 S	*	6/1997	Biasotti et al.	D14/191
D380,471 S	*	7/1997	Biasotti et al.	D14/191
D382,559 S	*	8/1997	Hon et al.	D14/191
D390,230 S	*	2/1998	Wolf et al.	D14/191

D395,311 S	*	6/1998	Parsadayan et al.	D14/218
D398,920 S	*	9/1998	Yen	D14/125
D401,935 S	*	12/1998	Scalisi et al.	D14/191
D423,011 S	*	4/2000	Goldenberg et al.	D14/191
D450,007 S	*	11/2001	Volanski et al.	D10/104
D487,087 S	*	2/2004	Wang	D14/357

* cited by examiner

Primary Examiner—Cathron C. Brooks

Assistant Examiner—Austin Murphy

(74) *Attorney, Agent, or Firm*—Venable LLP; Robert Kinberg; Manni Li

(57) **CLAIM**

The ornamental design for a transmitter, as shown and described.

DESCRIPTION

FIG. 1 is a perspective view from the front-top-right side of the transmitter showing our new design;

FIG. 2 is a front view of the design shown in FIG. 1;

FIG. 3 is a rear view of the design shown in FIG. 1;

FIG. 4 is a left side view of the design shown in FIG. 1;

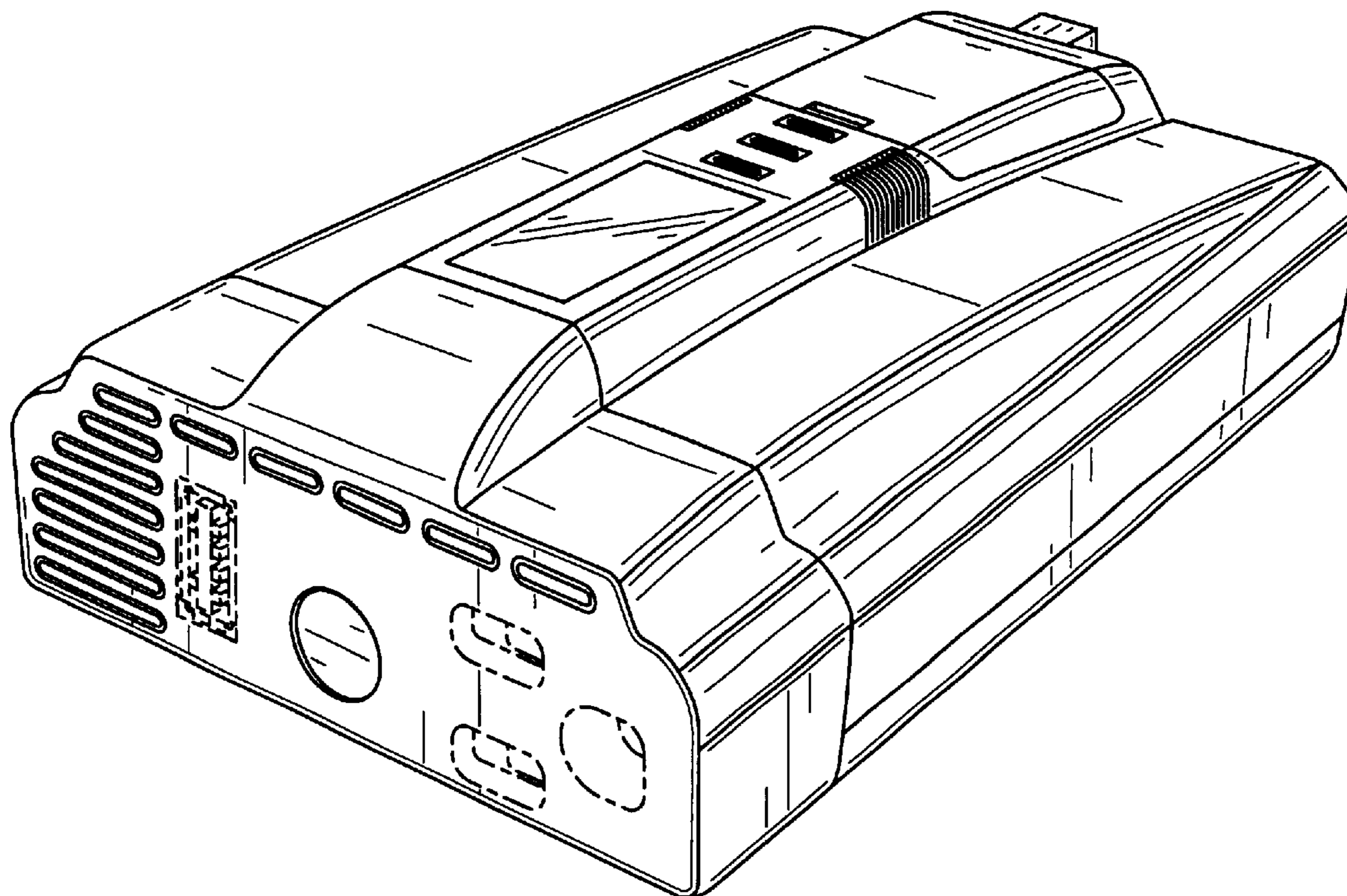
FIG. 5 is a right side view of the design shown in FIG. 1;

FIG. 6 is a top view of the design shown in FIG. 1; and,

FIG. 7 is a bottom view of the design shown in FIG. 1.

The broken lines shown in the drawings form no part of the claimed design.

1 Claim, 7 Drawing Sheets



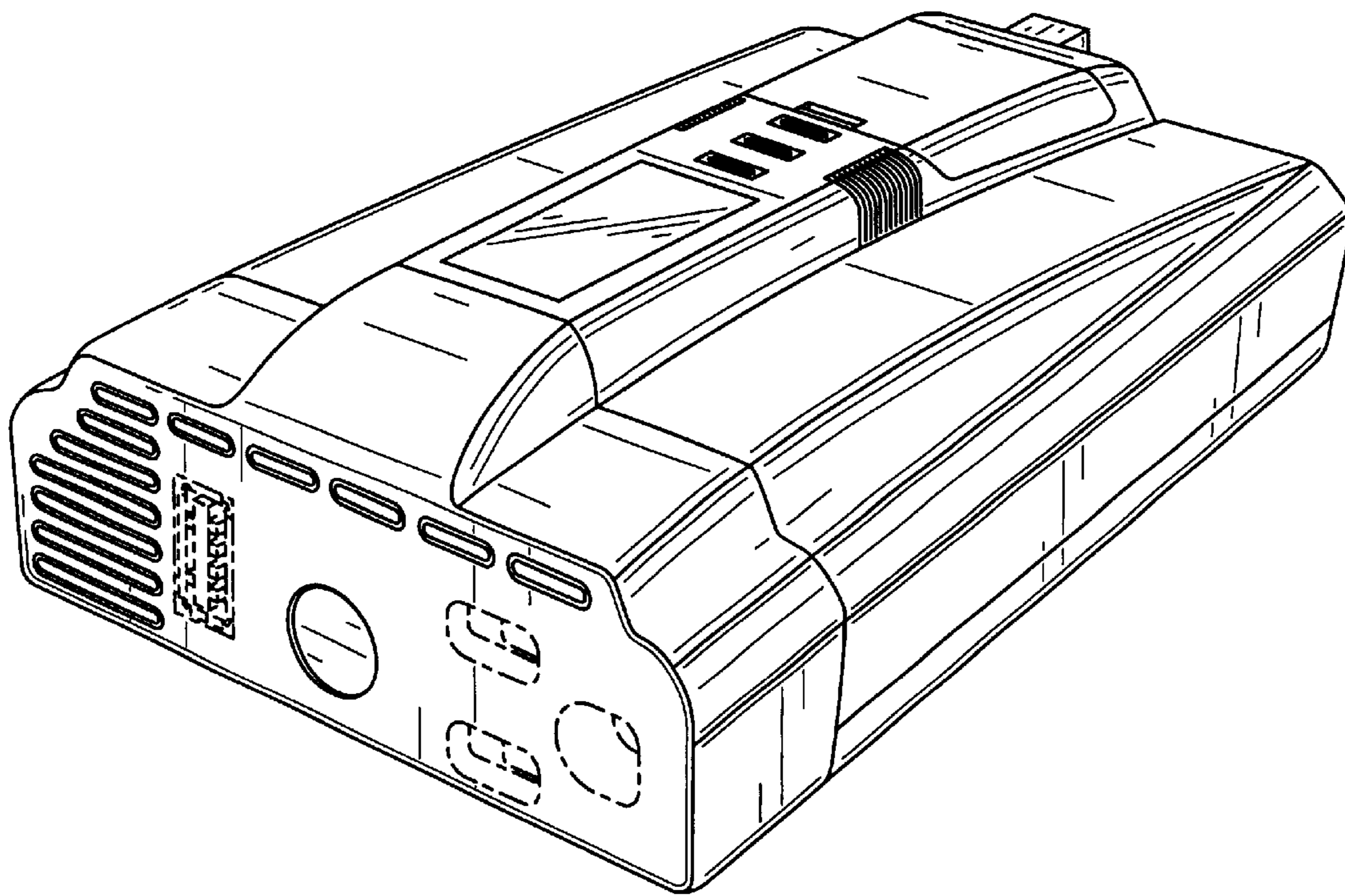


FIG. 1

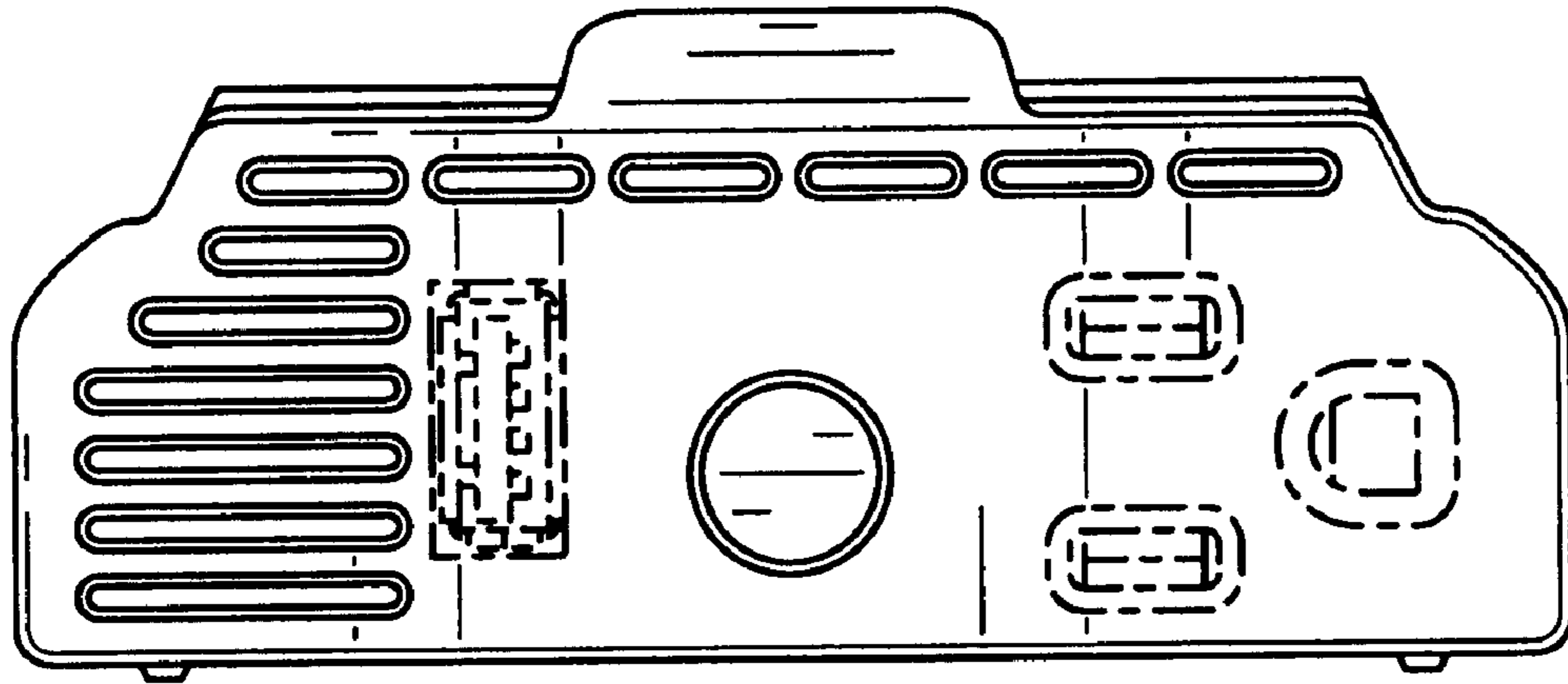


FIG. 2

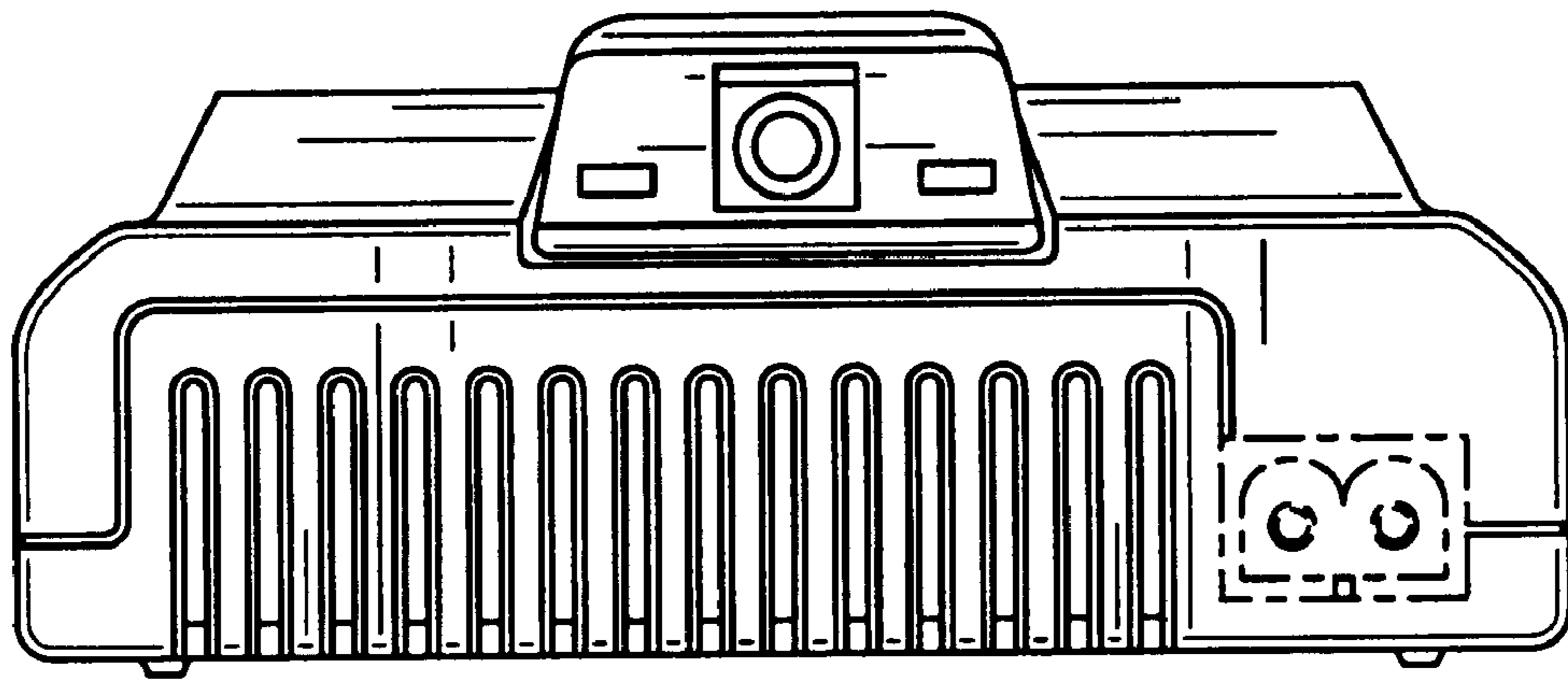


FIG. 3

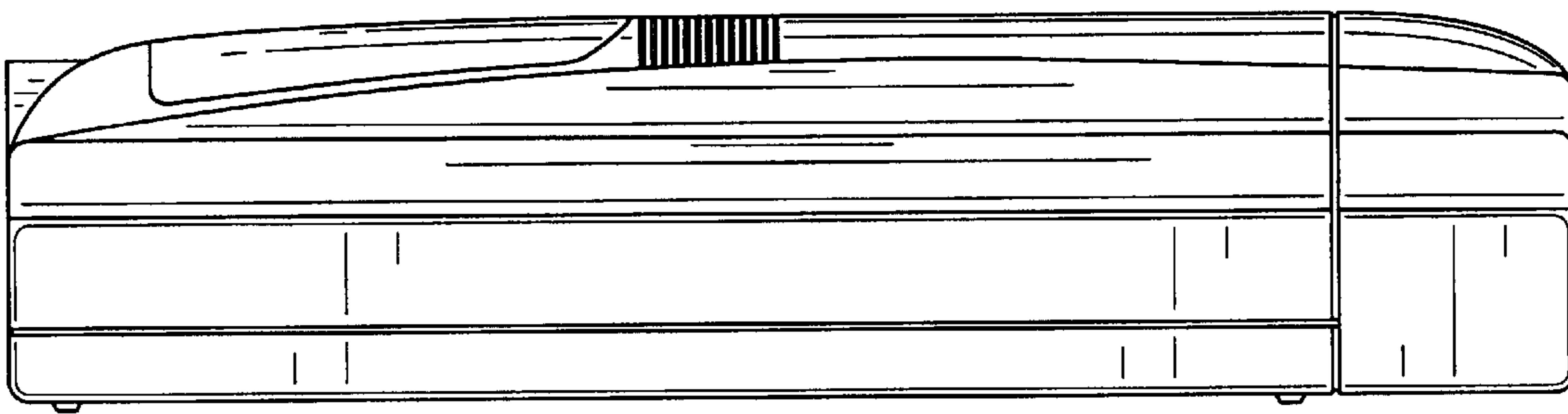


FIG. 4

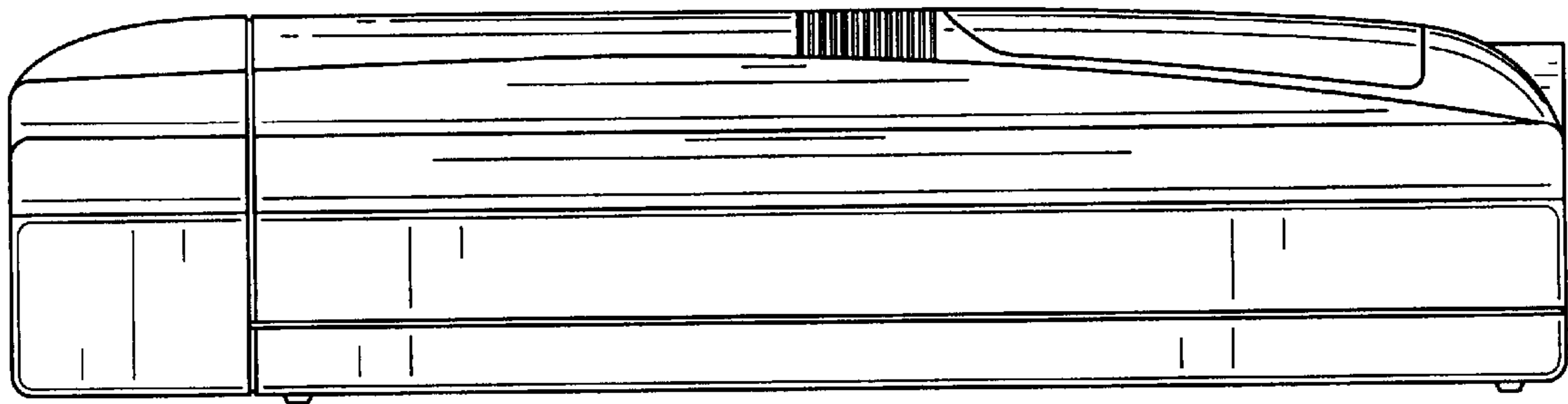


FIG. 5

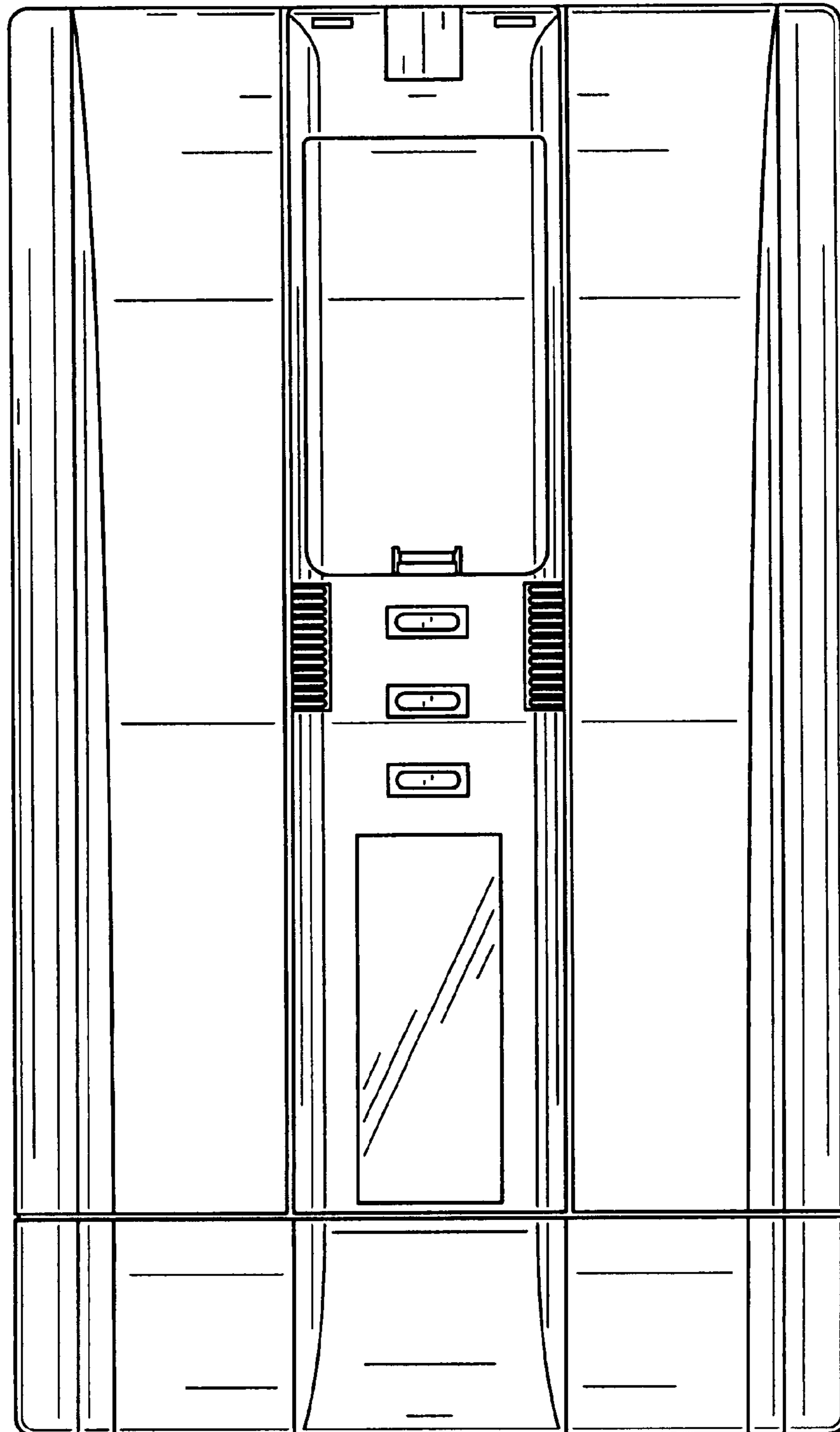


FIG. 6

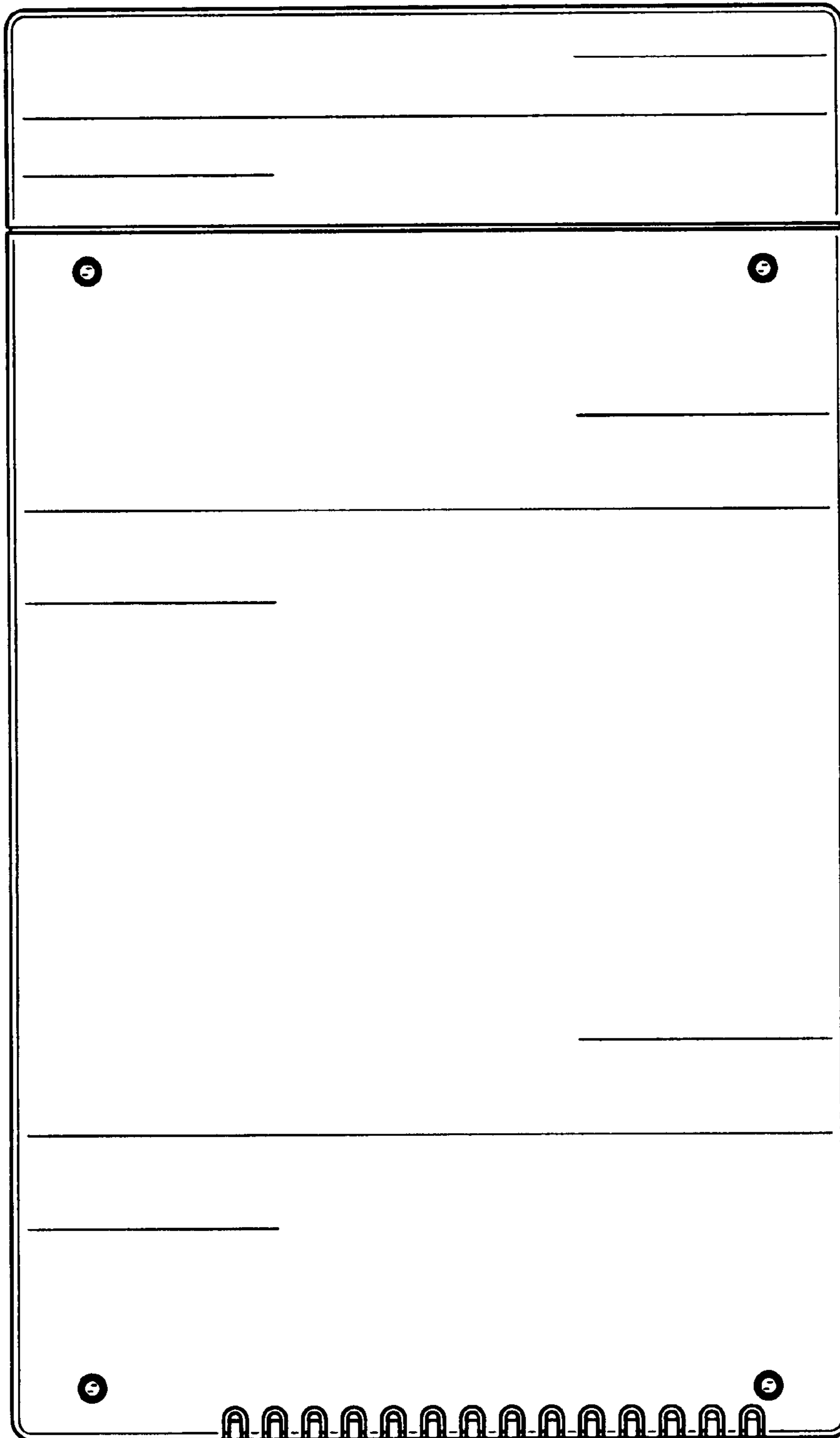


FIG. 7