

US00D535267S

(12) **United States Design Patent**
Kang et al.

(10) **Patent No.:** **US D535,267 S**
(45) **Date of Patent:** **** Jan. 16, 2007**

(54) **PROJECTION TELEVISION**

(75) Inventors: **Yun-Je Kang**, Seoul (KR); **Dong-Hee Won**, Seoul (KR)

(73) Assignee: **Samsung Electronics Co., Ltd.**, Kyunggi-do (KR)

(**) Term: **14 Years**

(21) Appl. No.: **29/236,042**

(22) Filed: **Aug. 10, 2005**

(51) **LOC (8) Cl.** **14-03**

(52) **U.S. Cl.** **D14/128**

(58) **Field of Classification Search** D14/125,
D14/126, 127, 128, 129, 133, 134; 348/836,
348/838, 180, 184, 325, 739; 248/917-924;
345/104, 133, 156, 168, 87, 173; 341/12
See application file for complete search history.

(56) **References Cited**

U.S. PATENT DOCUMENTS

D357,468 S	4/1995	Rodd	
D411,842 S	* 7/1999	Ota D14/126
D412,892 S	8/1999	Lee	
6,015,120 A	1/2000	Sweere et al.	
D455,129 S	* 4/2002	Niitsu D14/126
D458,928 S	6/2002	Duan	
D477,320 S	7/2003	Peng et al.	

(Continued)

OTHER PUBLICATIONS

- U.S. Appl. No. 29/217,926, Applicant: Young-Jun Kim, et al., filed Nov. 23, 2004 entitled Projection Television.
U.S. Appl. No. 29/218,855, Applicant: Seung-Ho Lee, et al., filed Dec. 8, 2004 entitled LCD TV.
U.S. Appl. No. 29/218,856, Applicant: Seung-Ho Lee, et al., filed Dec. 8, 2004 entitled LCD TV.
U.S. Appl. No. 29/228,022, Applicant: Yun-Je Kang, et al., filed Apr. 19, 2005 entitled Projection Television.
U.S. Appl. No. 29/228,541, Applicant: Young-Sun Shin, et al., filed Apr. 25, 2005 entitled Television.

U.S. Appl. No. 29/228,026, Applicant: Yun-Je Kang, et al., filed Apr. 19, 2005 entitled Project Television.

U.S. Appl. No. 29/228,024, Applicant: Ki-Soo Kim, et al., filed Apr. 19, 2005 entitled LCD Television.

U.S. Appl. No. 29/212,121, Applicant: Eui-Seok Kim, filed Aug. 26, 2004 entitled LCD Monitor.

U.S. Appl. No. 29/231,241, Applicant: Young-Jun Kim, et al., filed Jun. 2, 2005 entitled Monitor.

U.S. Appl. No. 29/231,236, Applicant: Ki-Soo Kim, et al., filed Jun. 2, 2005 entitled LCD Monitor.

U.S. Appl. No. 29/231,924, Applicant: Young-Jun Kin, et al., filed Jun 2, 2005 entitled Monitor.

U.S. Appl. No. 29/231,925, Applicant: Sang-Il. Park, et al., filed Jun 10, 2005 entitled LCD Monitor.

U.S. Appl. No. 29/236,043, Applicant: Yun-Je Kang, et al., filed Aug. 10, 2005 entitled Project Television.

U.S. Appl. No. 29/236,044, Applicant: Sang-Won Yoon, filed Aug. 10, 2005 entitled LCD Monitor.

U.S. Appl. No. 29/236,045, Applicant: Yun-Je Kang, et al., filed Aug. 10, 2005 entitled Projection Television.

U.S. Appl. No. 29/236,046, Applicant: Min-Hyong Boo, et al., filed Aug. 10, 2005 entitled LCD Monitor.

(Continued)

Primary Examiner—Philip S. Hyder

(74) *Attorney, Agent, or Firm*—Flynn, Thiel, Boutell & Tanis, P.C.

(57) **CLAIM**

The ornamental design for a projection television, as shown and described.

DESCRIPTION

FIG. 1. is a top front perspective view of a projection television showing our new design.

FIG. 2. is a front elevational view thereof.

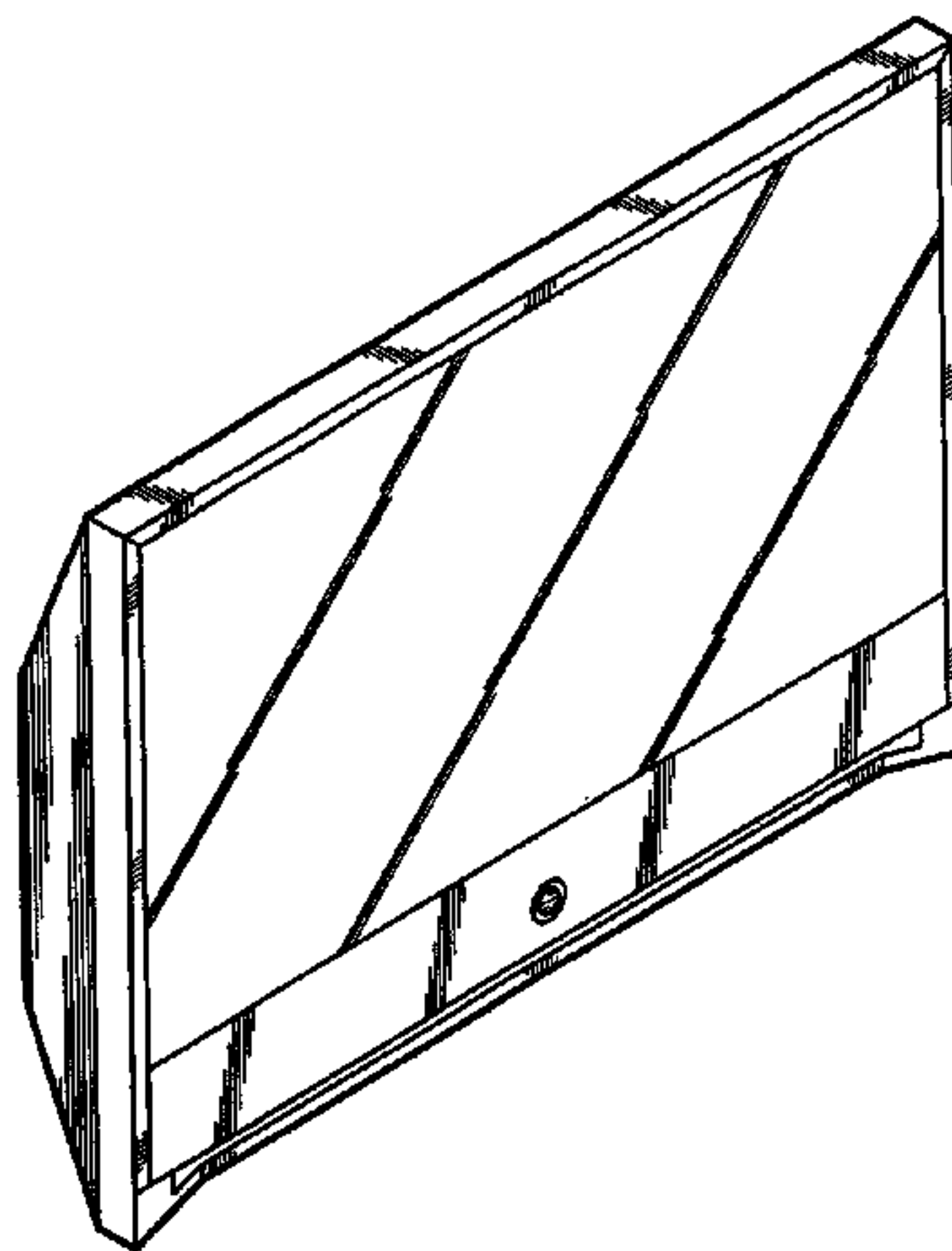
FIG. 3. is a rear elevational view thereof.

FIG. 4 is a left side elevational view thereof, the right side elevational view is a mirror image of the left side elevational view.

FIG. 5. is a top plan view thereof; and,

FIG. 6. is a bottom plan view thereof.

1 Claim, 4 Drawing Sheets



U.S. PATENT DOCUMENTS

D486,803 S * 2/2004 Fujiki et al. D14/126
D489,042 S * 4/2004 Joe et al. D14/126
D489,370 S 5/2004 Jobs et al.
D510,568 S * 10/2005 Joe et al. D14/128
D511,753 S * 11/2005 Joe et al. D14/128
D512,032 S * 11/2005 Joe et al. D14/128
D512,388 S * 12/2005 Hayakawa D14/128
D512,389 S * 12/2005 Joe et al. D14/128
D517,028 S * 3/2006 Joe et al. D14/128

OTHER PUBLICATIONS

U.S. Appl. No. 29/236,960, Applicant: Baek Ki Kim, et al.,
filed Aug. 24, 2005 entitled LCD Monitor.

U.S. Appl. No. 29/236,961, Applicant: Kyoung-Hoon Kim,
et al., filed Aug. 24, 2005 entitled Television.

U.S. Appl. No. 29/236,965, Applicant: Jun-Ho Yang, et al.,
filed Aug. 24, 2005 entitled Television.

U.S. Appl. No. 29/236,966, Applicant: Jun-Ho Yang, et al.,
filed Aug. 24, 2005 entitled LCD Television.

U.S. Appl. No. 29/236,967, Applicant: Jun-Ho Yang, et al.,
filed Aug. 24, 2005 entitled Television.

U.S. Appl. No. 29/236,968, Applicant: Jun-Ho Yang, et al.,
filed Aug. 24, 2005 entitled Television.

U.S. Appl. No. 29/236,969, Applicant: Jun-Ho Yang, et al.,
filed Aug. 24, 2005 entitled Television.

* cited by examiner

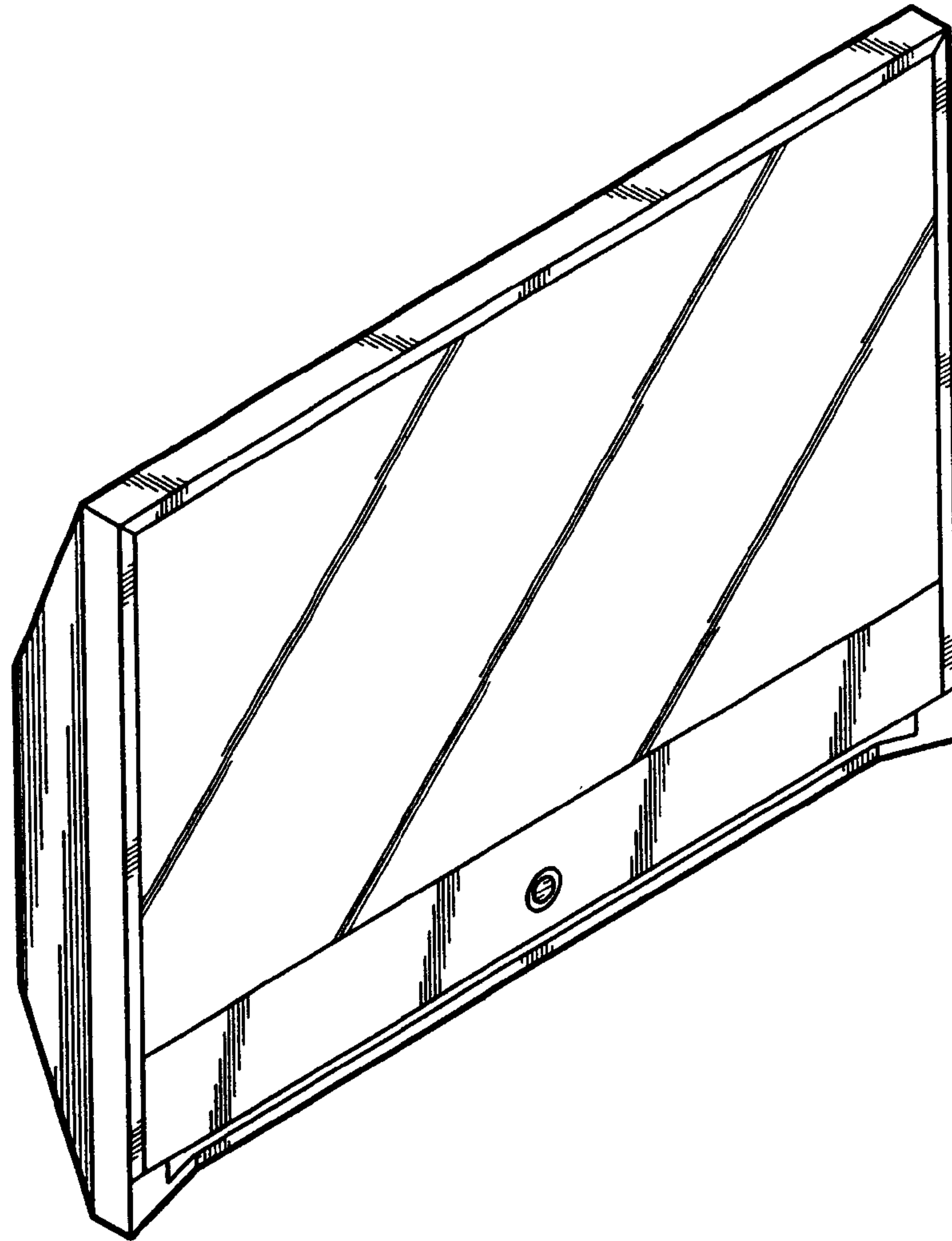


FIG. 1

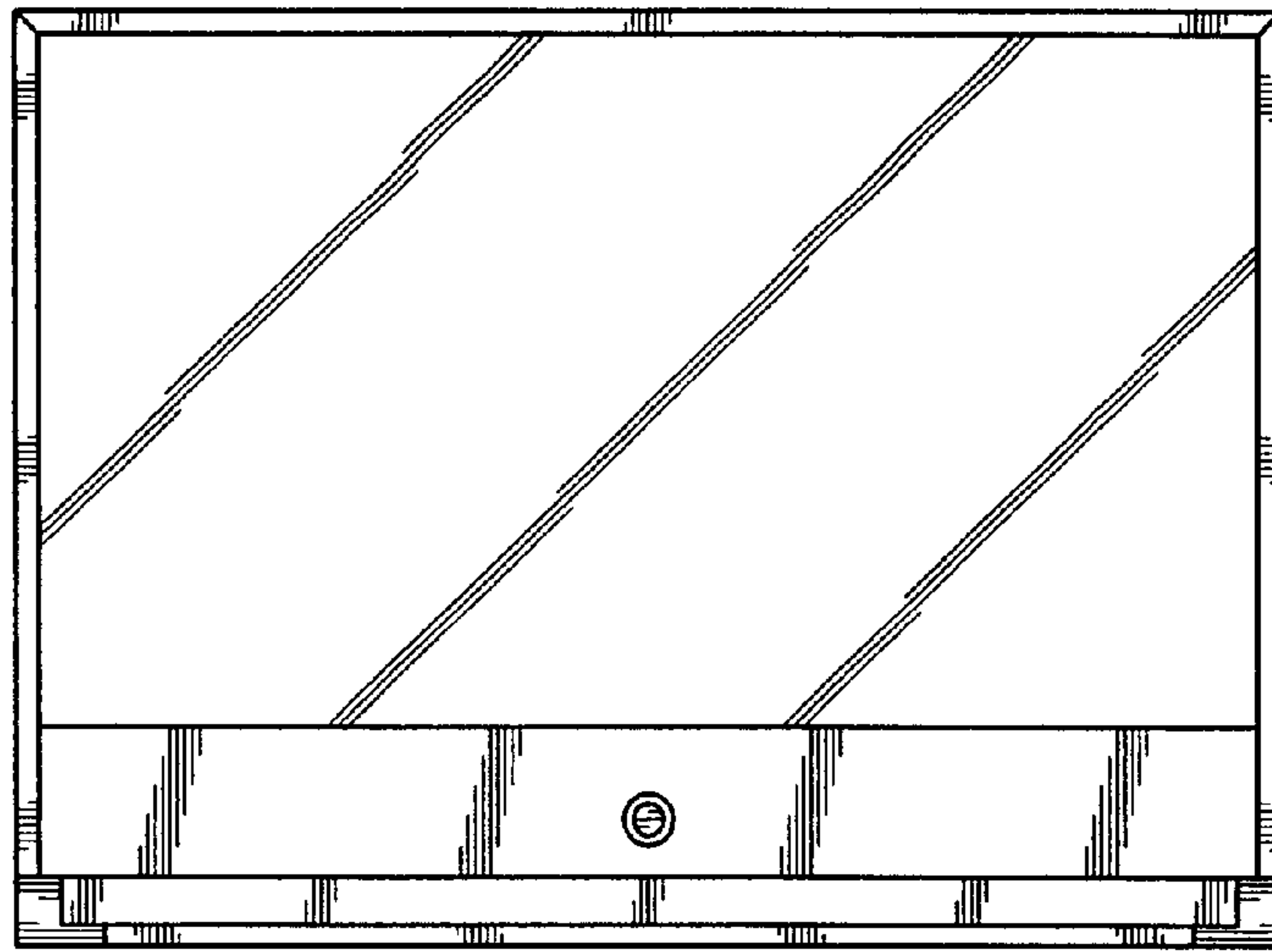


FIG. 2

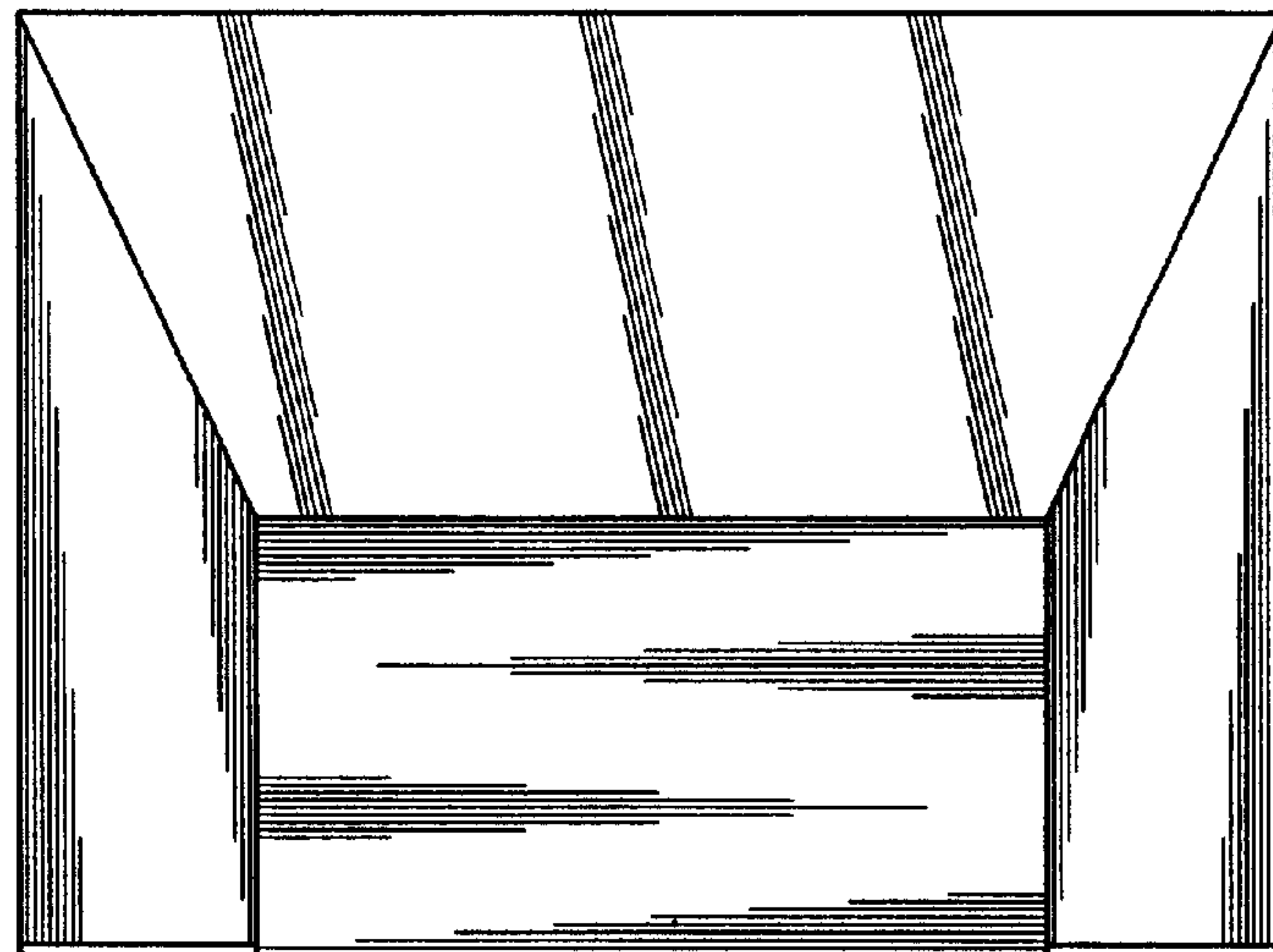


FIG. 3



FIG. 4

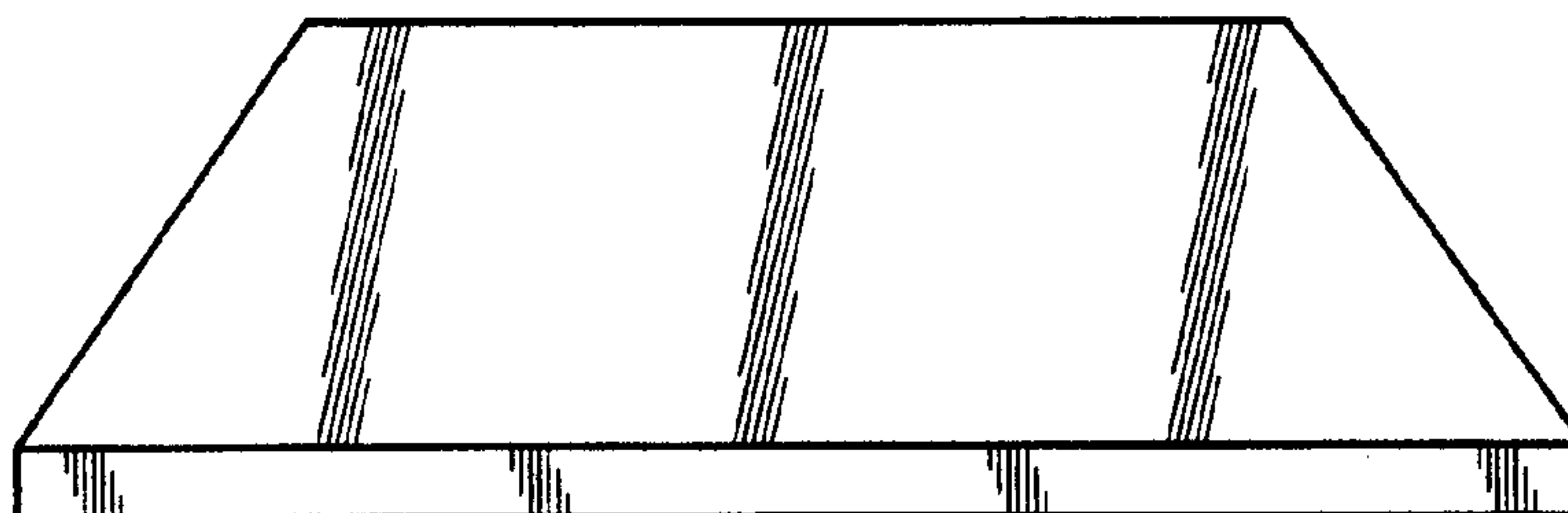


FIG. 5

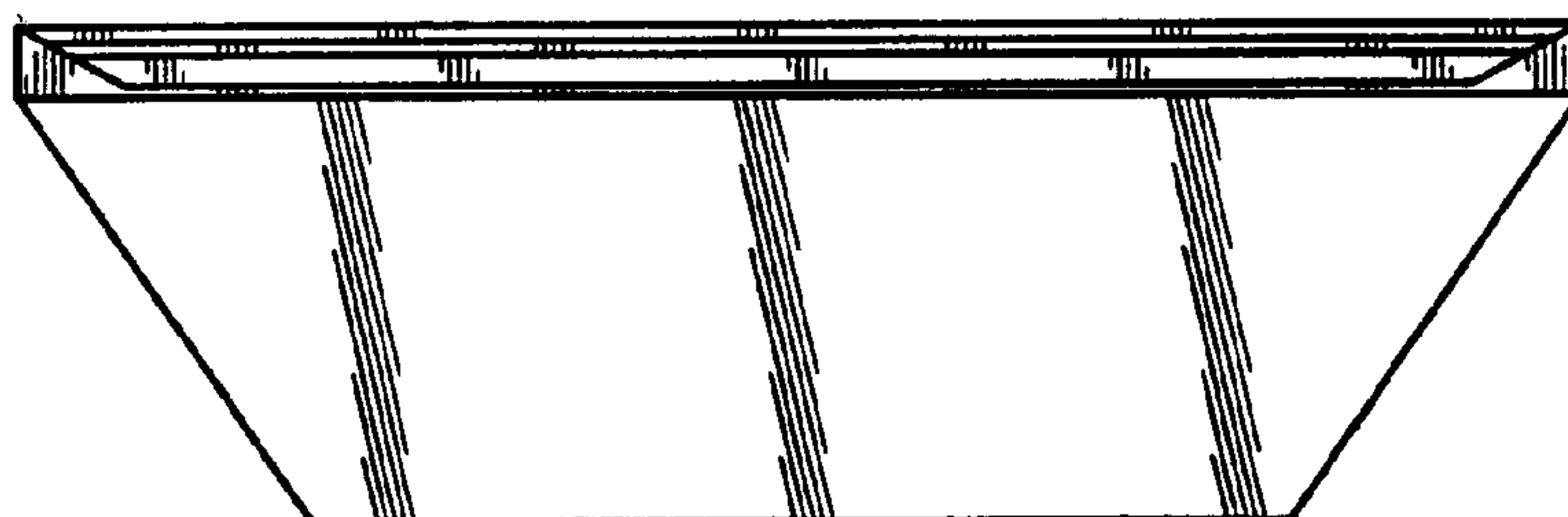


FIG. 6