



US00D535260S

(12) **United States Design Patent**
Dao

(10) **Patent No.:** **US D535,260 S**
(45) **Date of Patent:** **** Jan. 16, 2007**

(54) **SIGNAL MODULE**

(75) Inventor: **Davis S. Dao**, San Jose, CA (US)

(73) Assignee: **inTEST Corporation**, Wilmington, DE (US)

(**) Term: **14 Years**

(21) Appl. No.: **29/261,521**

(22) Filed: **Jun. 15, 2006**

Related U.S. Application Data

(62) Division of application No. 29/209,257, filed on Jul. 13, 2004.

(51) **LOC (8) Cl.** **13-03**

(52) **U.S. Cl.** **D13/162**

(58) **Field of Classification Search** D13/123,
D13/158, 162, 164, 184; 324/76.12, 158.1,
324/754, 765; 361/679, 686, 728, 736, 729;
439/259, 928

See application file for complete search history.

(56) **References Cited**

U.S. PATENT DOCUMENTS

| | | | | | |
|--------------|---|---------|-------------------|-------|-----------|
| D314,555 S | * | 2/1991 | Brown et al. | | D13/164 |
| 6,147,877 A | * | 11/2000 | Strandberg et al. | | 361/784 |
| 6,420,888 B1 | * | 7/2002 | Griffin et al. | | 324/754 |
| 6,686,732 B1 | * | 2/2004 | Parrish | | 324/158.1 |
| D686,758 | * | 3/2005 | Miller | | 324/158.1 |

2004/0150959 A1 * 8/2004 Sullivan 361/728

* cited by examiner

Primary Examiner—Selina Sikder

(74) *Attorney, Agent, or Firm*—RatnerPrestia

(57) **CLAIM**

The ornamental design for a signal module, as shown and described.

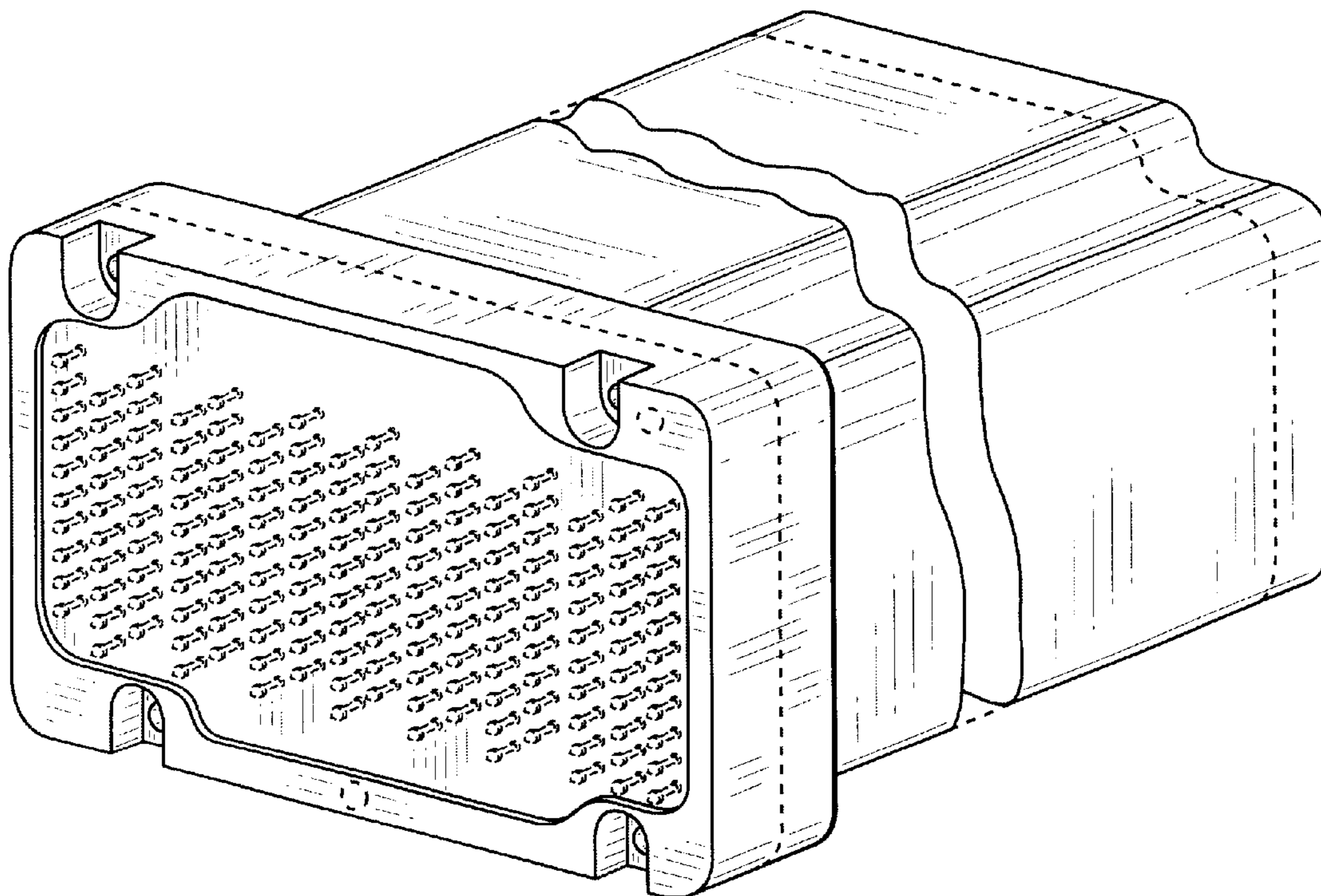
DESCRIPTION

FIG. 1 is a perspective view of a signal module.
FIG. 2 is a front view of the signal module illustrated in FIG. 1.
FIG. 3 is a rear view of the signal module shown in FIG. 1.
FIG. 4 is a left side view of the signal module illustrated in FIG. 1.
FIG. 5 is a right side view of the signal module shown in FIG. 1.
FIG. 6 is a top view of the signal module shown in FIG. 1; and,
FIG. 7 is a bottom view of the signal module shown in FIG. 1.

The signal module is shown broken away in FIGS. 1 and 4–7 of the drawing to indicate in determinant length, it being understood that it has a uniform shape and appearance through out its length.

The features indicated in the figures in broken lines form no part of the claimed design.

1 Claim, 4 Drawing Sheets



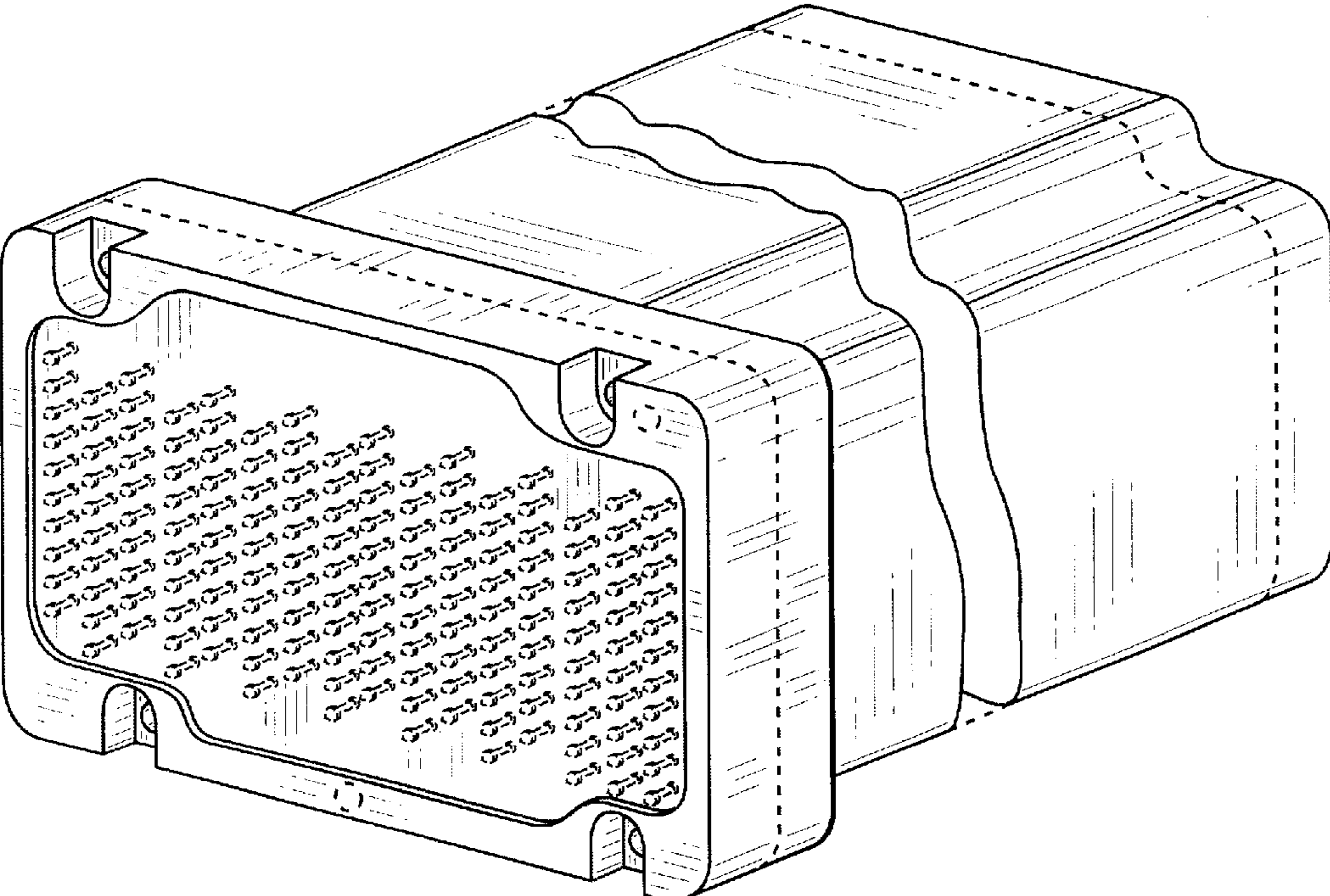


FIG. 1

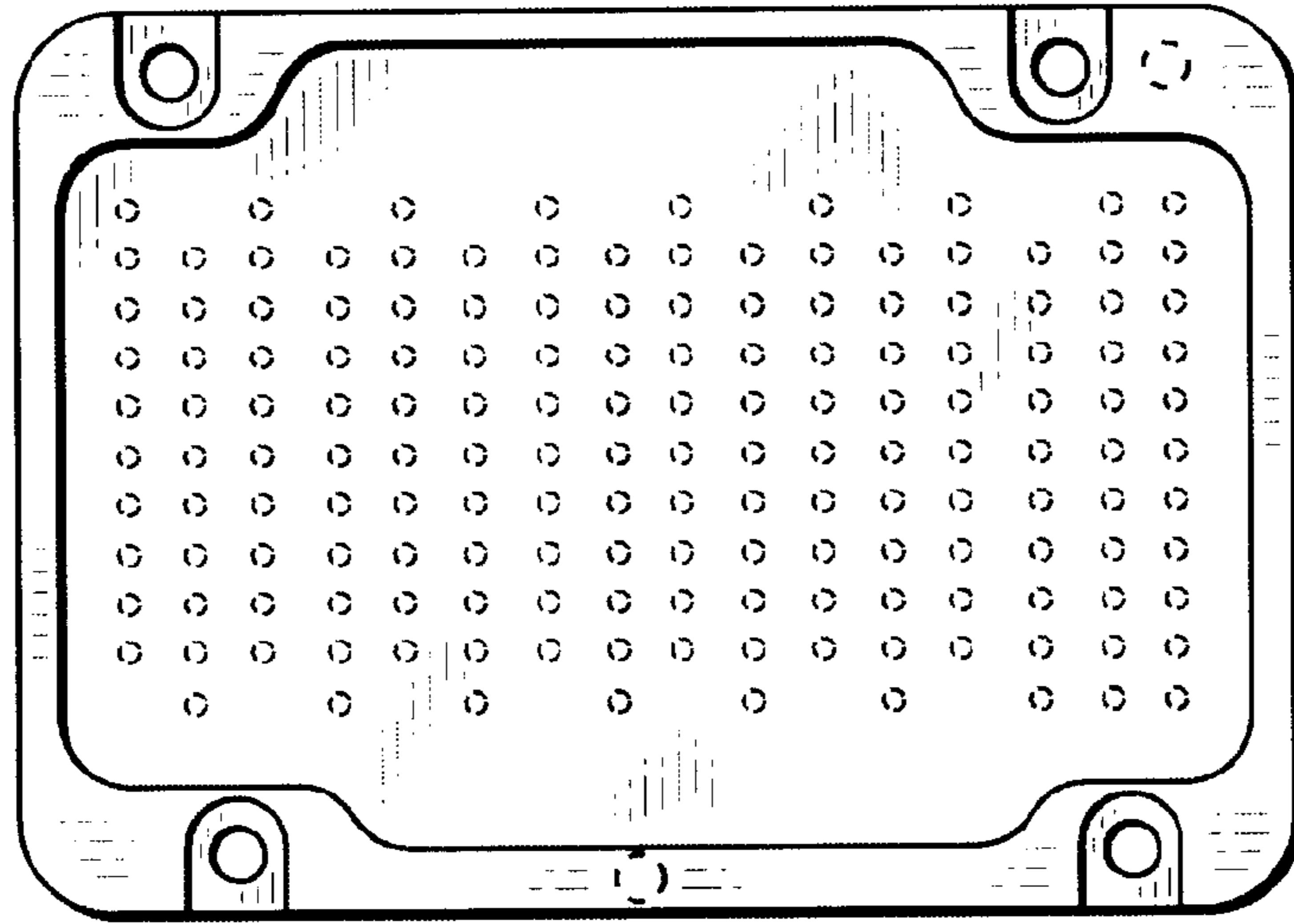


FIG. 2

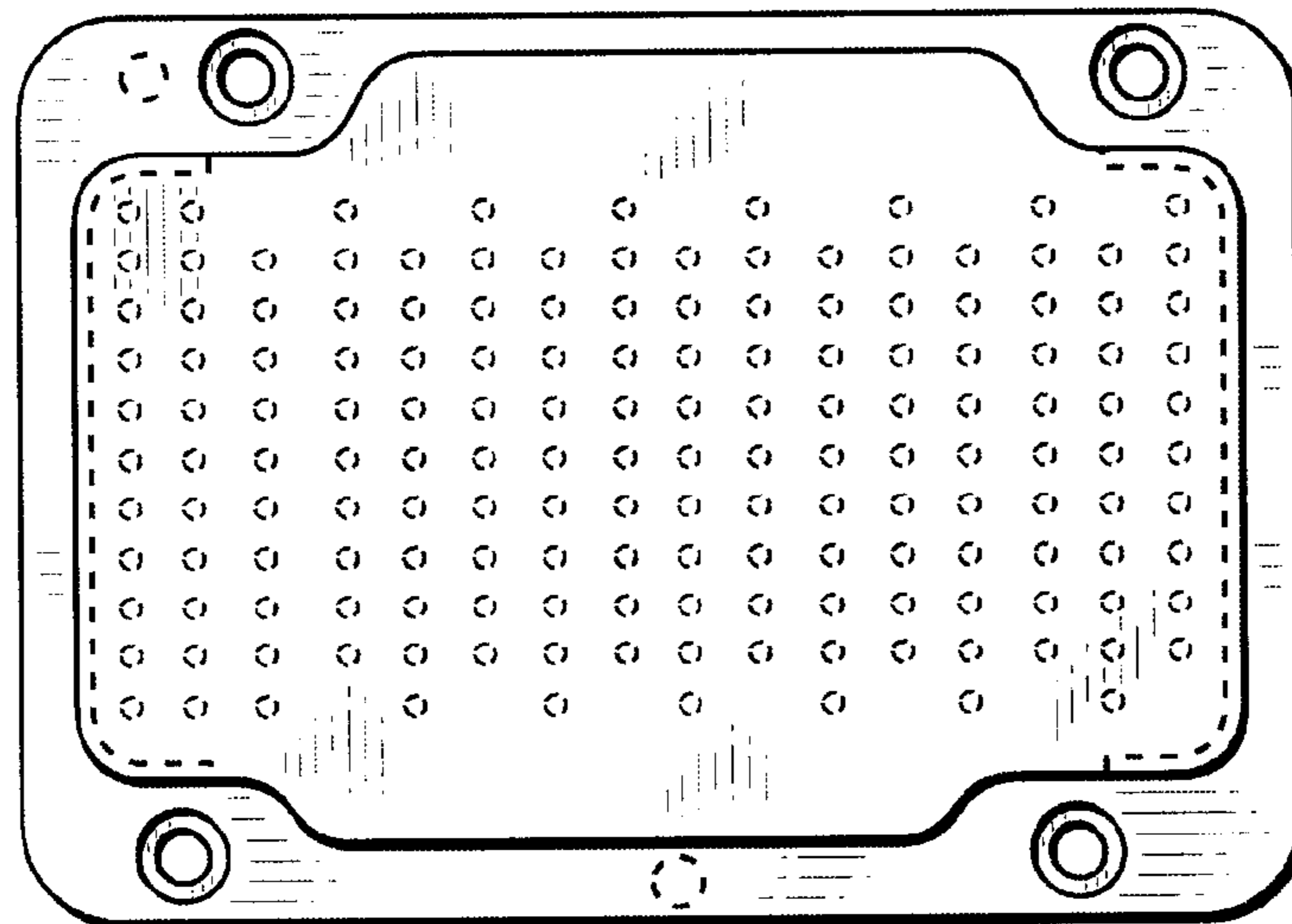


FIG. 3

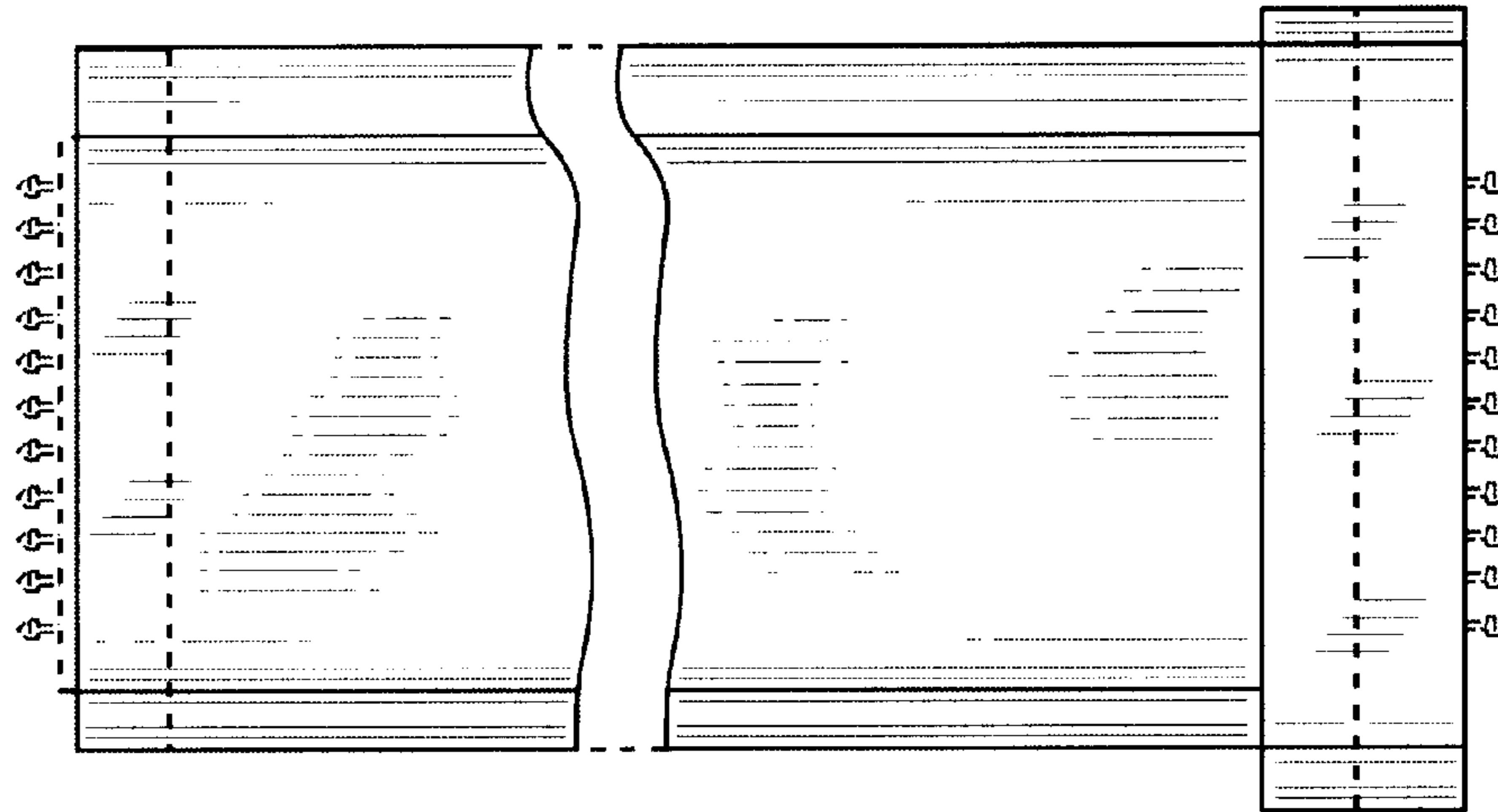


FIG. 4

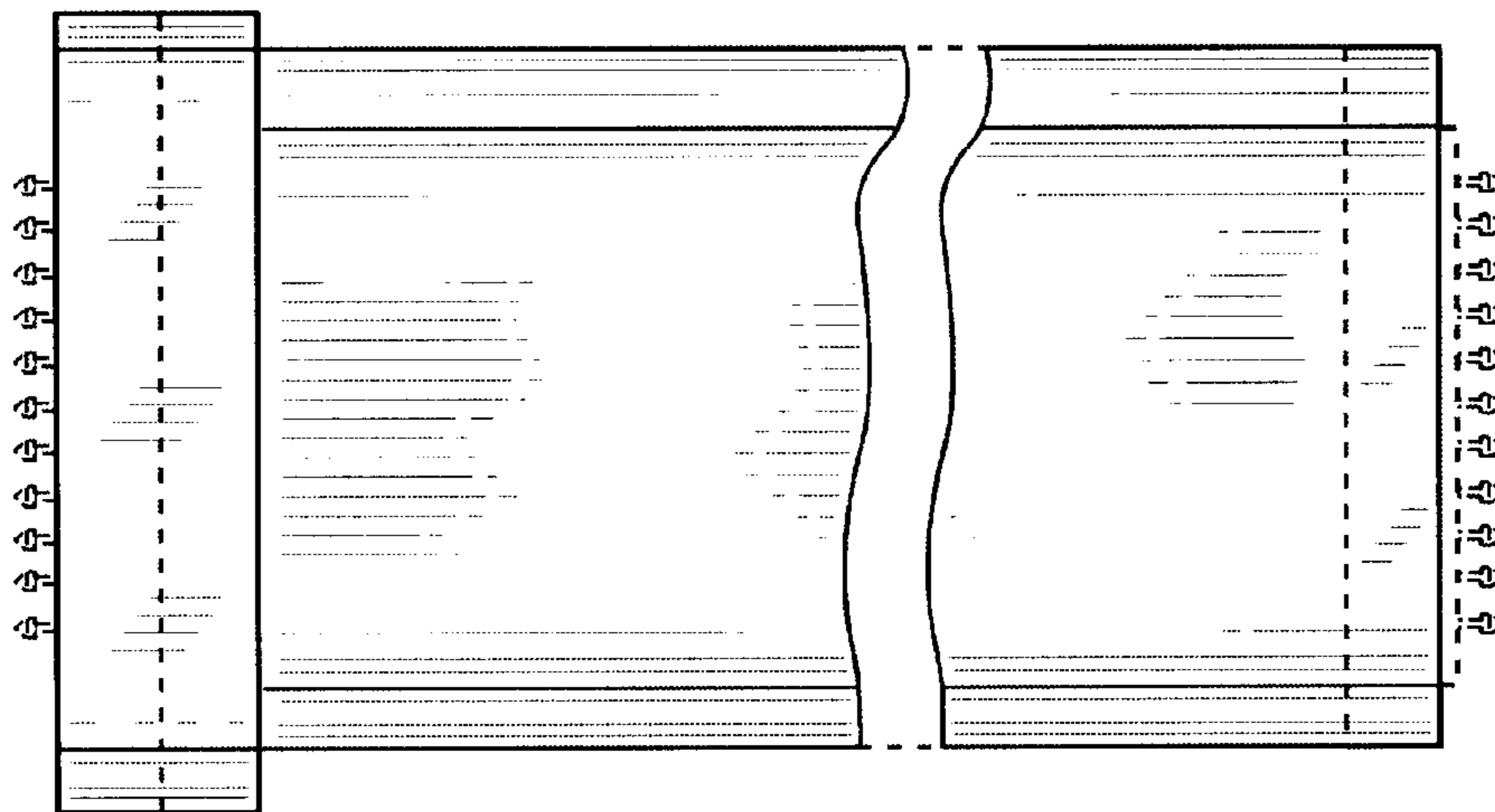


FIG. 5

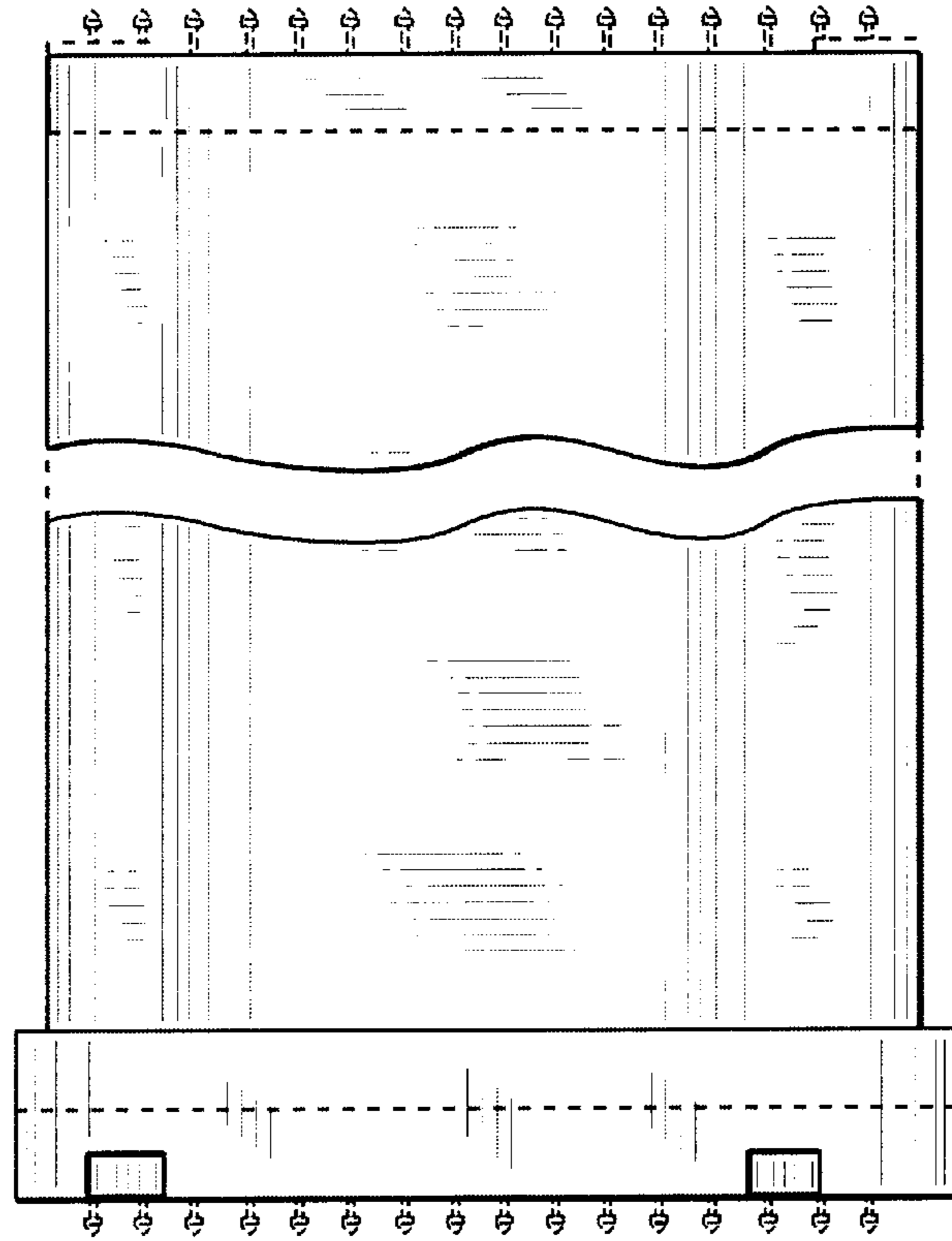


FIG. 6

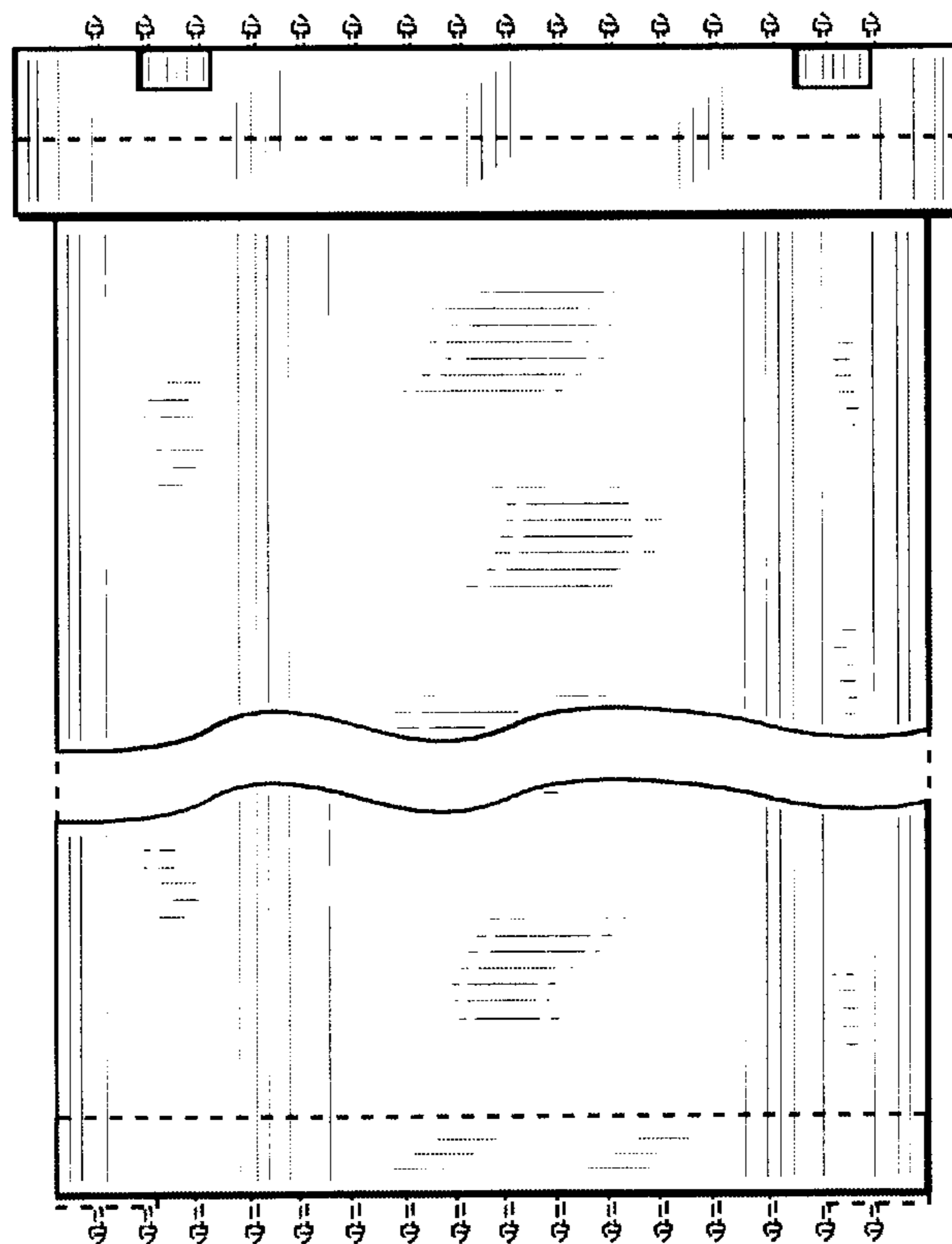


FIG. 7