



US00D535259S

(12) **United States Design Patent**  
**Rodrigues et al.**

(10) **Patent No.: US D535,259 S**

(45) **Date of Patent: \*\* \*Jan. 16, 2007**

(54) **COAXIAL CABLE CONNECTOR**

(75) Inventors: **Julio F. Rodrigues**, Collierville, TN (US); **Salvatore J. Abbruzzese**, Piscataway, NJ (US); **Brian S. Welborn**, The Woodlands, TX (US)

(73) Assignee: **Thomas & Betts International, Inc.**, Sparks, NV (US)

(\*) Notice: This patent is subject to a terminal disclaimer.

(\*\*) Term: **14 Years**

(21) Appl. No.: **29/228,454**

(22) Filed: **Apr. 22, 2005**

**Related U.S. Application Data**

(60) Continuation of application No. 29/176,413, filed on Feb. 21, 2003, now Pat. No. Des. 505,391, which is a division of application No. 09/852,343, filed on May 9, 2001, now Pat. No. 6,530,807.

(51) **LOC (8) Cl.** ..... **13-03**

(52) **U.S. Cl.** ..... **D13/151; D13/133**

(58) **Field of Classification Search** ..... D13/133, D13/151; 439/578, 584, 585, 583

See application file for complete search history.

(56) **References Cited**

**U.S. PATENT DOCUMENTS**

1,667,485	A	4/1928	Macdonald
2,258,737	A	10/1941	Browne
2,549,647	A	4/1951	Turenne
3,076,168	A	1/1963	Keen

(Continued)

**FOREIGN PATENT DOCUMENTS**

DE	102289	1/1958
DE	1117687	11/1961
DE	1191880	4/1965
DE	47931	5/1966

(Continued)

**OTHER PUBLICATIONS**

PPC 1996/97 Connector and Trap Product Catalog p. 34.  
PPC Compression Connector Series Product Data Sheet, dated Feb. 20, 1996, also published in the Record on Appeal of LRC Electronics, Inc. v. John Mezzalingua Associates, Inc., U.S. Court of Appeals for the Federal Circuit, Appeal No. 98-1545, at A-2604 and 2604a.

PPC CMP Radial Compression Connector (Unlocked) Data Sheet 1995, marked as a deposition exhibit on May 3, 1996 and Plaintiff's Trial Exhibit 115 on Jan. 27, 1998, also published in the Record on Appeal of LRC Electronics, Inc. v. John Mezzalingua Associates, Inc., U.S. Court of Appeals for the Federal Circuit, Appeal No. 98-1545, at A-2687.

Thomas & Betts Snap-N-Seal "F" Series Male Environmentally Sealed Connectors Data Sheet 1998, retrieved from Internet archive at www.waybackmachine.org on Jun. 14, 2005 from archived Thomas & Betts Corp. website (www.tnb.com) dated Dec. 3, 1998 (http://web.archive.org/web/20000831012924/www.tnb.com/downloaded/irc/snap\_seal.pdf).

(Continued)

*Primary Examiner*—Philip S. Hyder

(74) *Attorney, Agent, or Firm*—Hoffman & Baron, LLP

(57) **CLAIM**

The ornamental design for a coaxial cable connector, shown in the shipping condition as shown and described.

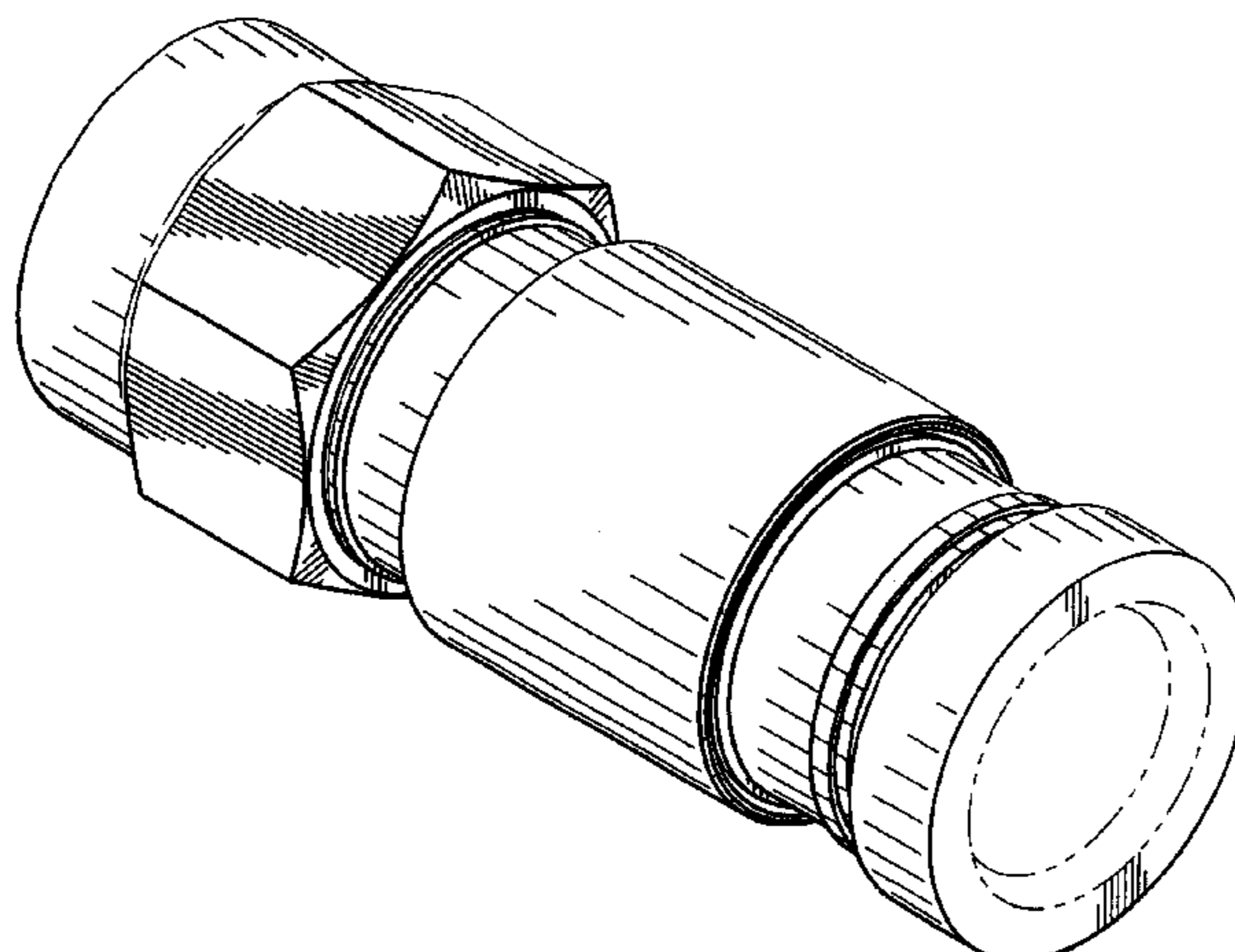
**DESCRIPTION**

FIG. 1 is a perspective view of a new and ornamental design for a coaxial cable connector in its shipping condition. The internal details thereof are illustrated in the phantom are for environmental purposes only.

FIG. 2 is a side elevational view of the coaxial cable connector of FIG. 1; and,

FIGS. 3 and 4 are front and end views respectively of coaxial cable connector of FIG. 1, with the internal details being illustrated in phantom for environmental purposes only.

**1 Claim, 1 Drawing Sheet**



U.S. PATENT DOCUMENTS					
3,184,706 A	5/1965	Atkins	4,596,435 A	6/1986	Bickford
3,275,913 A	9/1966	Bianchard et al.	4,598,961 A	7/1986	Cohen
3,292,136 A	12/1966	Somerset	4,600,263 A	7/1986	DeChamp et al.
3,350,677 A	10/1967	Daum	4,614,390 A	9/1986	Baker
3,355,698 A	11/1967	Keller	4,632,487 A	12/1986	Wargula
3,373,243 A	3/1968	Janowiak et al.	4,640,572 A	2/1987	Conlon
3,406,373 A	10/1968	Forney, Jr.	4,645,281 A	2/1987	Burger
3,448,430 A	6/1969	Kelly	4,650,228 A	3/1987	McMills et al.
3,475,545 A	10/1969	Stark et al.	4,655,159 A	4/1987	McMills
3,498,647 A	3/1970	Schroder	4,660,921 A	4/1987	Hauver
3,517,373 A	6/1970	Jamon	4,666,229 A	5/1987	Grand
3,533,051 A	10/1970	Ziegler, Jr.	4,668,043 A	5/1987	Saba et al.
3,537,065 A	10/1970	Winston	4,674,818 A	6/1987	McMills et al.
3,544,705 A	12/1970	Winston	4,676,577 A	6/1987	Szegda
3,564,487 A	2/1971	Upstone et al.	4,682,832 A	7/1987	Punako et al.
3,629,792 A	12/1971	Dorrell	4,688,876 A	8/1987	Morelli
3,633,150 A	1/1972	Swartz	4,688,878 A	8/1987	Cohen et al.
3,668,612 A	6/1972	Nepovim	4,691,976 A	9/1987	Cowen
3,671,922 A	6/1972	Zerlin et al.	4,703,987 A	11/1987	Gallusser et al.
3,694,792 A	9/1972	Wallo	4,717,355 A	1/1988	Mattis
3,694,793 A	9/1972	Concelman	4,738,009 A	4/1988	Down et al.
3,710,005 A	1/1973	French	4,746,305 A	5/1988	Nomura
3,778,535 A	12/1973	Forney, Jr.	4,747,786 A	5/1988	Hayashi et al.
3,781,762 A	12/1973	Quackenbush	4,755,152 A	7/1988	Elliot et al.
3,836,700 A	9/1974	Niemeyer	4,761,146 A	8/1988	Sohoel
3,845,453 A	10/1974	Hemmer	4,772,222 A	9/1988	Laudig et al.
3,846,738 A	11/1974	Nepovim	4,789,355 A	12/1988	Lee
3,854,003 A	12/1974	Duret	4,806,116 A	2/1989	Ackerman
3,879,102 A	4/1975	Horak	4,813,886 A	3/1989	Roos et al.
3,907,399 A	9/1975	Spinner	4,834,675 A	5/1989	Samchisen
3,910,673 A	10/1975	Stokes	4,834,676 A	5/1989	Tackett
3,915,539 A	10/1975	Collins	4,854,893 A	8/1989	Morris
3,936,132 A	2/1976	Hutter	4,857,014 A	8/1989	Alf et al.
3,963,320 A	6/1976	Spinner	4,869,679 A	9/1989	Szegda
3,976,352 A	8/1976	Spinner	4,874,331 A	10/1989	Iverson
3,980,805 A	9/1976	Lipari	4,892,275 A	1/1990	Szegda
3,985,418 A	10/1976	Spinner	4,902,246 A	2/1990	Samchisen
4,046,451 A	9/1977	Juds et al.	4,906,207 A	3/1990	Banning et al.
4,053,200 A	10/1977	Pugner	4,923,412 A	5/1990	Morris
4,059,330 A	11/1977	Shirey	4,925,403 A	5/1990	Zorzy
4,093,335 A	6/1978	Schwartz et al.	4,927,385 A	5/1990	Cheng
4,126,372 A	11/1978	Hashimoto et al.	4,929,188 A	5/1990	Lionetto et al.
4,131,332 A	12/1978	Hogendobler et al.	4,952,174 A	8/1990	Sucht et al.
4,150,250 A	4/1979	Lundeberg	4,957,456 A	9/1990	Olson et al.
4,156,554 A	5/1979	Aujla	4,973,265 A	11/1990	Heeren
4,165,554 A	8/1979	Faget	4,979,911 A	12/1990	Spencer
4,168,921 A	9/1979	Blanchard	4,990,104 A	2/1991	Schieferly
4,225,162 A	9/1980	Dola	4,990,105 A	2/1991	Karlovich
4,227,765 A	10/1980	Neumann et al.	4,990,106 A	2/1991	Szegda
4,250,348 A	2/1981	Kitagawa	5,002,503 A	3/1991	Campbell et al.
4,280,749 A	7/1981	Hemmer	5,007,861 A	4/1991	Stirling
4,339,166 A	7/1982	Dayton	5,021,010 A	6/1991	Wright
4,346,958 A	8/1982	Blanchard	5,024,606 A	6/1991	Ming-Hwa
4,354,721 A	10/1982	Luzzi	5,037,328 A	8/1991	Karlovich
4,373,767 A	2/1983	Cairns	5,062,804 A	11/1991	Jamet et al.
4,400,050 A	8/1983	Hayward	5,066,248 A	11/1991	Gaver, Jr. et al.
4,408,821 A	10/1983	Forney, Jr.	5,073,129 A	12/1991	Szegda
4,408,822 A	10/1983	Nikitas	5,083,943 A	1/1992	Tarrant
4,421,377 A	12/1983	Spinner	5,120,260 A	6/1992	Jackson
4,444,453 A	4/1984	Kirby et al.	5,127,853 A	7/1992	McMills et al.
4,456,323 A	6/1984	Pitcher et al.	5,131,862 A	7/1992	Gershfeld
4,484,792 A	11/1984	Tengler et al.	5,141,451 A	8/1992	Down
4,515,427 A	5/1985	Smit	5,161,993 A	11/1992	Leibfried, Jr.
4,533,191 A	8/1985	Blackwood	5,181,161 A	1/1993	Hirose et al.
4,540,231 A	9/1985	Forney, Jr.	5,195,906 A	3/1993	Szegda
4,545,637 A	10/1985	Bosshard et al.	5,205,761 A	4/1993	Nilsson
4,575,274 A	3/1986	Hayward	5,207,602 A	5/1993	McMills et al.
4,583,811 A	4/1986	McMills	5,217,391 A	6/1993	Fisher, Jr.
4,593,964 A	6/1986	Forney, Jr. et al.	5,217,393 A	6/1993	Del Negro et al. .... 439/585
4,596,434 A	6/1986	Saba et al.	5,269,701 A	12/1993	Leibfried, Jr.
			5,283,853 A	2/1994	Szegda

5,284,449 A	2/1994	Vaccaro		D460,740 S	7/2002	Montena
5,295,864 A	3/1994	Birch et al.		D460,947 S	7/2002	Montena
5,316,494 A	5/1994	Flanagan et al. ....	439/352	D460,948 S	7/2002	Montena
5,338,225 A	8/1994	Jacobsen et al. ....	439/585	6,425,782 B1	7/2002	Holand
5,342,218 A	8/1994	McMills et al.		D461,166 S	8/2002	Montena
5,354,217 A	10/1994	Gabel et al.		D461,167 S	8/2002	Montena
5,371,819 A	12/1994	Szegda		D461,778 S	8/2002	Fox
5,371,821 A	12/1994	Szegda		D462,058 S	8/2002	Montena
5,371,827 A	12/1994	Szegda		D462,060 S	8/2002	Fox
5,393,244 A	2/1995	Szegda		D462,327 S	9/2002	Montena
5,431,583 A	7/1995	Szegda .....	439/589	6,530,807 B1	3/2003	Rodrigues et al. .... 439/578
5,435,745 A	7/1995	Booth		6,558,194 B1	5/2003	Montena
5,444,810 A	8/1995	Szegda		6,817,896 B1	11/2004	Derenthal
5,455,548 A	10/1995	Grandchamp et al.		6,848,940 B1	2/2005	Montena
5,456,611 A	10/1995	Henry et al.		2003/0003705 A1	1/2003	Rodrigues et al.
5,456,614 A	10/1995	Szegda		2003/0162439 A1	8/2003	Rodrigues et al.
5,466,173 A	11/1995	Down .....	439/584			
5,470,257 A	11/1995	Szegda				
5,494,454 A	2/1996	Johnsen				
5,501,616 A	3/1996	Holliday				
5,525,076 A	6/1996	Down .....	439/585			
5,542,861 A	8/1996	Anhalt et al.				
5,548,088 A	8/1996	Gray et al.				
5,571,028 A	11/1996	Szegda				
5,586,910 A	12/1996	Del Negro et al.				
5,598,132 A	1/1997	Stabile				
5,607,325 A	3/1997	Toma				
5,620,339 A	4/1997	Gray et al.				
5,632,651 A	5/1997	Szegda				
5,651,699 A	7/1997	Holliday				
5,667,405 A	9/1997	Holliday				
5,863,220 A	1/1999	Holliday				
5,879,191 A	3/1999	Burris				
5,967,852 A	10/1999	Follingstad et al.				
5,975,951 A	11/1999	Burris et al.				
5,997,350 A	12/1999	Burris et al.				
6,032,358 A	3/2000	Wild				
6,089,912 A	7/2000	Tallis				
6,089,913 A	7/2000	Holliday				
6,146,197 A	11/2000	Holliday et al.				
D436,076 S	1/2001	Montena .....	D13/133			
D437,826 S	2/2001	Montena .....	D13/133			
D440,539 S	4/2001	Montena .....	D13/133			
D440,939 S	4/2001	Montena .....	D13/133			
6,210,222 B1	4/2001	Langham et al.				
6,241,553 B1	6/2001	Hsia				
6,267,621 B1	7/2001	Pitschi et al.				
D458,904 S	6/2002	Montena				
D460,739 S	7/2002	Fox				

FOREIGN PATENT DOCUMENTS

DE	1515398	4/1970
DE	2221936	11/1973
DE	2261973	6/1974
DE	22225764	6/1974
DE	3211008	10/1983
EP	0072104	2/1983
EP	0116157	8/1984
EP	0167738	1/1986
EP	0265276	4/1988
FR	2232846	6/1974
FR	2234680	6/1974
FR	2462798	8/1979
GB	589697	6/1947
GB	1270846	10/1967
GB	2019665	10/1979
GB	2079549	1/1983
JP	11[1999]-8795	11/1999
JP	U2000-5870	8/2000
WO	WO93/24973	12/1993
WO	WO96/08854	3/1996
WO	WO99/07035	2/1999

OTHER PUBLICATIONS

Sell Sheet from Stirling; [www.StirlingUSA.com](http://www.StirlingUSA.com); Reader Service No. 109; regarding SPL-9-RTQ-3-In-One RTQ Connectors.

Sell Sheet from PCT International; Reader Service No. 133; regarding DRS Compression Connectors—description/features and benefits.

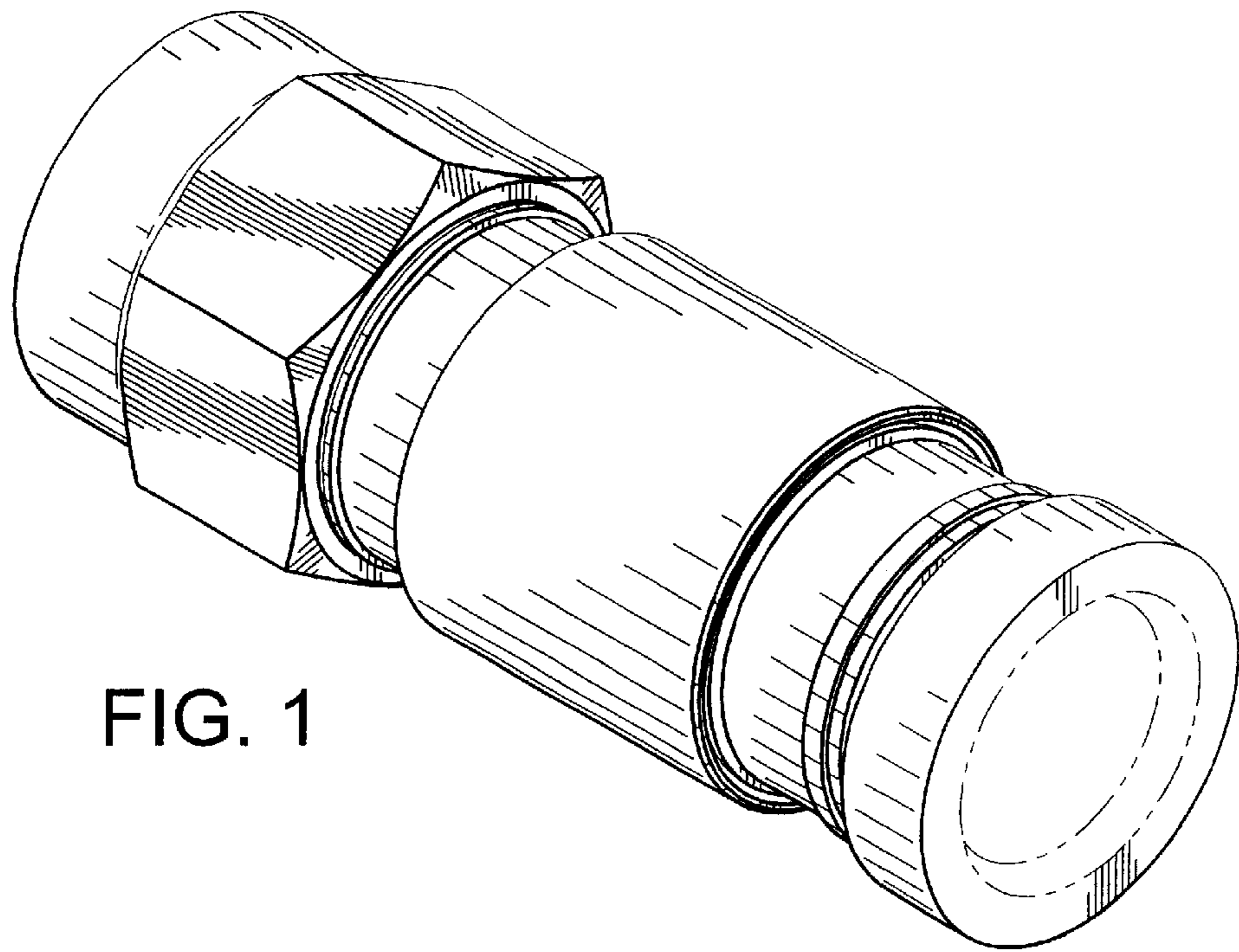


FIG. 1

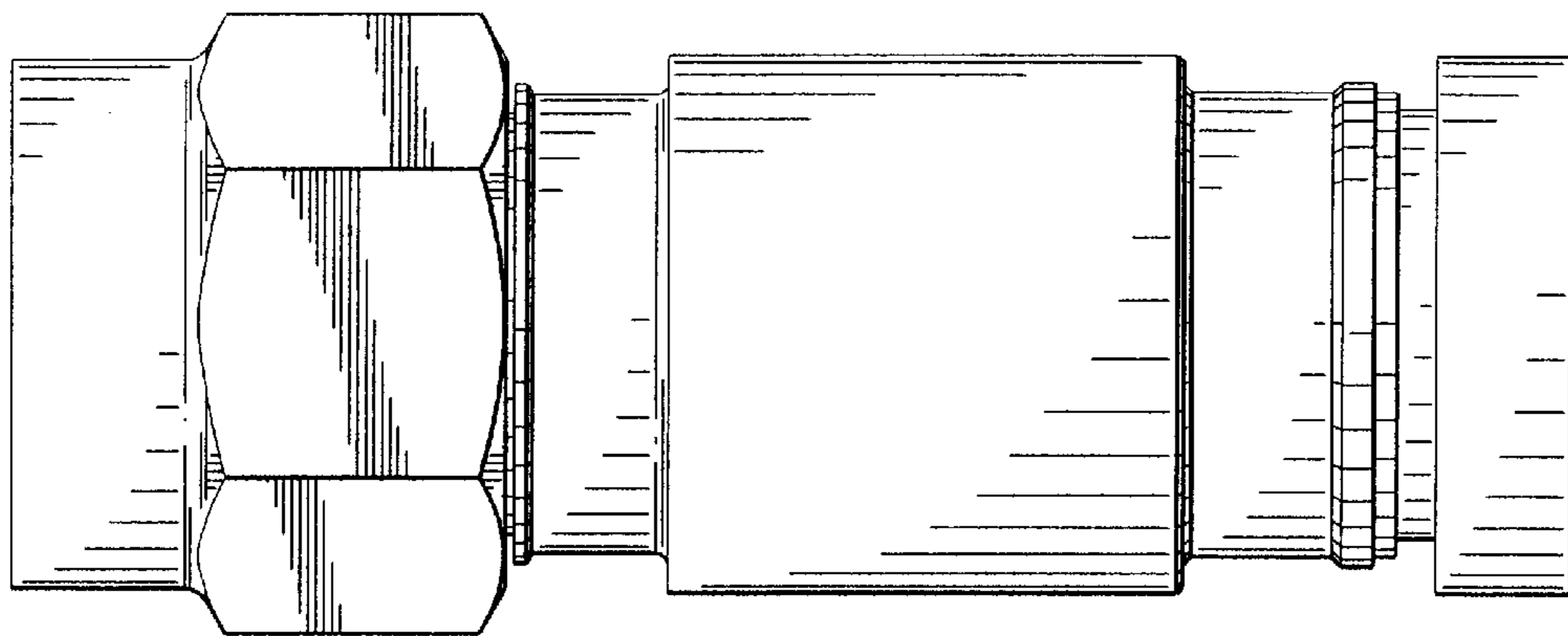


FIG. 2

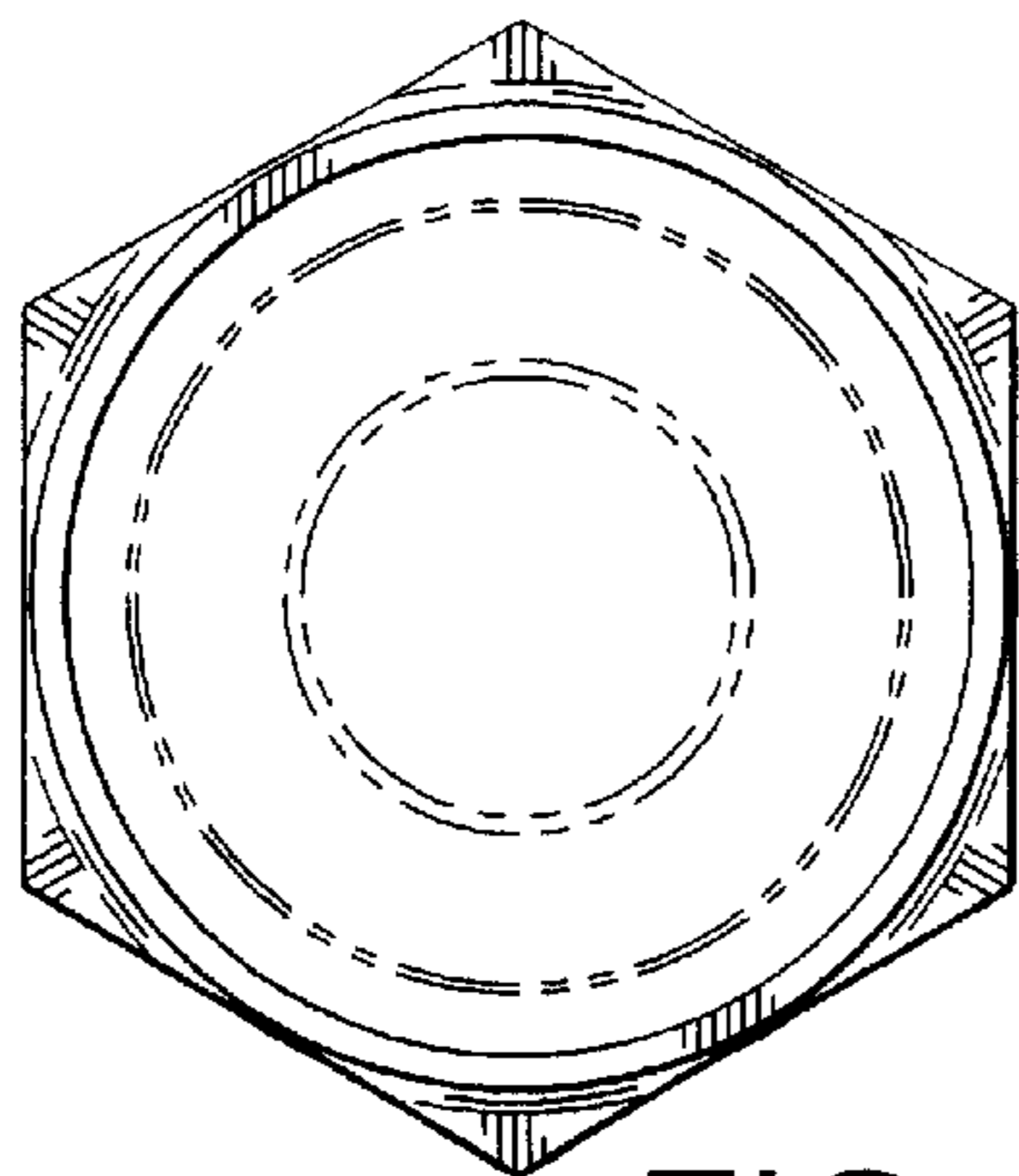


FIG. 3

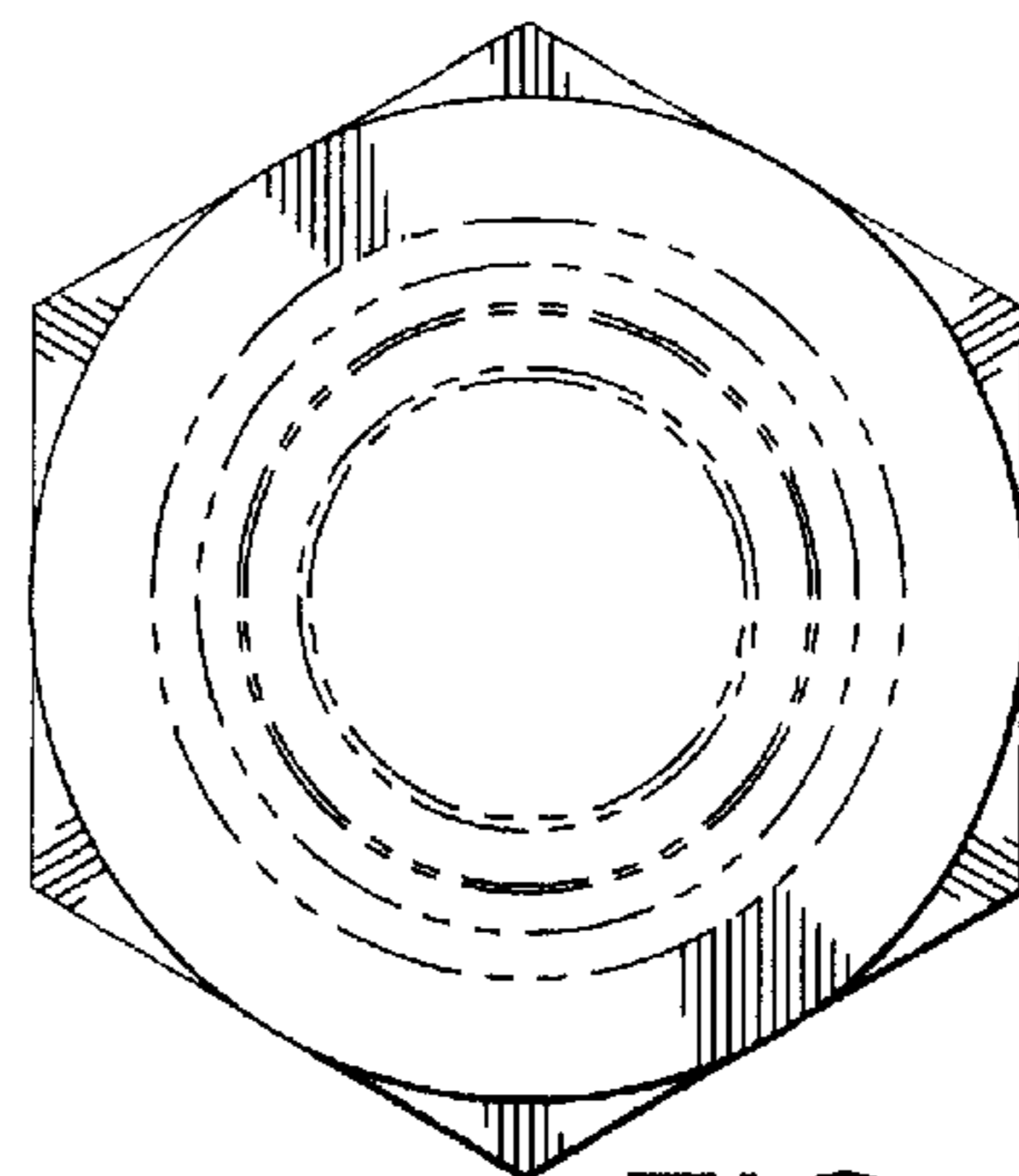


FIG. 4

UNITED STATES PATENT AND TRADEMARK OFFICE  
**CERTIFICATE OF CORRECTION**

PATENT NO. : Des. 535,259 S  
APPLICATION NO. : 29/228454  
DATED : January 16, 2007  
INVENTOR(S) : Rodrigues et al.

Page 1 of 1

It is certified that error appears in the above-identified patent and that said Letters Patent is hereby corrected as shown below:

On the title page item (75), delete “Julio F. Rodrigues, Collierville, TN (US); Salvatore J. Abbruzzese, Piscataway, NJ (US); Brian S. Welborn, The Woodlands, TX (US)” and insert therefor --Julio F. Rodrigues, Collierville, TN (US)--.

Signed and Sealed this

Twenty-eighth Day of October, 2008

A handwritten signature in black ink that reads "Jon W. Dudas". The signature is written in a cursive style with a large, stylized initial 'J'.

JON W. DUDAS

*Director of the United States Patent and Trademark Office*