



US00D535258S

(12) **United States Design Patent**
Sasaki

(10) **Patent No.:** **US D535,258 S**

(45) **Date of Patent:** **** Jan. 16, 2007**

(54) **CONNECTOR**

(75) Inventor: **Ryo Sasaki**, Tokyo (JP)

(73) Assignee: **SMK Corporation**, Tokyo (JP)

(**) Term: **14 Years**

(21) Appl. No.: **29/236,134**

(22) Filed: **Aug. 10, 2005**

(30) **Foreign Application Priority Data**

Feb. 10, 2005 (JP) 2005-003512

(51) **LOC (8) Cl.** **13-03**

(52) **U.S. Cl.** **D13/147**

(58) **Field of Classification Search** D13/133,
D13/146-147, 149, 154, 184; D14/432-436,
D14/438; 439/64, 79, 159-160, 492, 496,
439/607-610

See application file for complete search history.

(56) **References Cited**

U.S. PATENT DOCUMENTS

- D322,604 S * 12/1991 Komatsu D13/147
- D351,136 S * 10/1994 Kurata D13/147
- 6,644,550 B1 * 11/2003 Pickles 235/486

- D488,444 S * 4/2004 Motojima D13/147
- 6,863,571 B1 * 3/2005 Sato et al. 439/630
- D518,783 S * 4/2006 Takagi et al. D13/147
- 2004/0127079 A1 * 7/2004 Nagata 439/159
- 2005/0186817 A1 * 8/2005 Yang et al. 439/159
- 2006/0057894 A1 * 3/2006 Tsai 439/630
- 2006/0063422 A1 * 3/2006 Lu et al. 439/489

* cited by examiner

Primary Examiner—Prabhakar Deshmukh

Assistant Examiner—Daniel Bui

(74) *Attorney, Agent, or Firm*—Darby & Darby

(57) **CLAIM**

The ornamental design for a connector, as shown and described.

DESCRIPTION

FIG. 1 is a front-side view of my new design for a connector; FIG. 2 is a rear-side view thereof; FIG. 3 is a top-side view thereof; FIG. 4 is a bottom-side view thereof; FIG. 5 is a right-side view thereof; FIG. 6 is a left-side view thereof; FIG. 7 is a top front-side perspective view thereof; and, FIG. 8 is a bottom rear-side perspective view thereof.

1 Claim, 3 Drawing Sheets

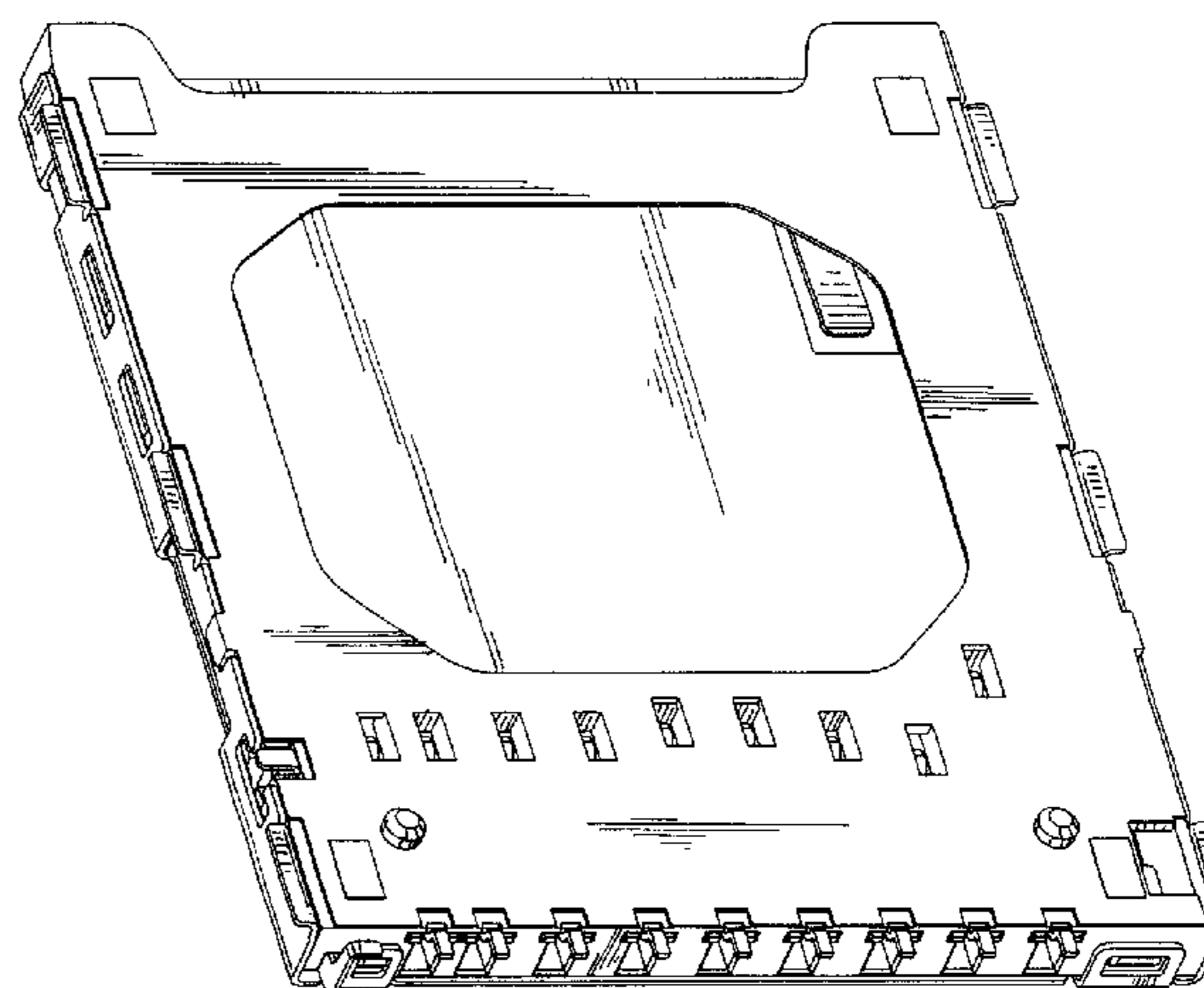
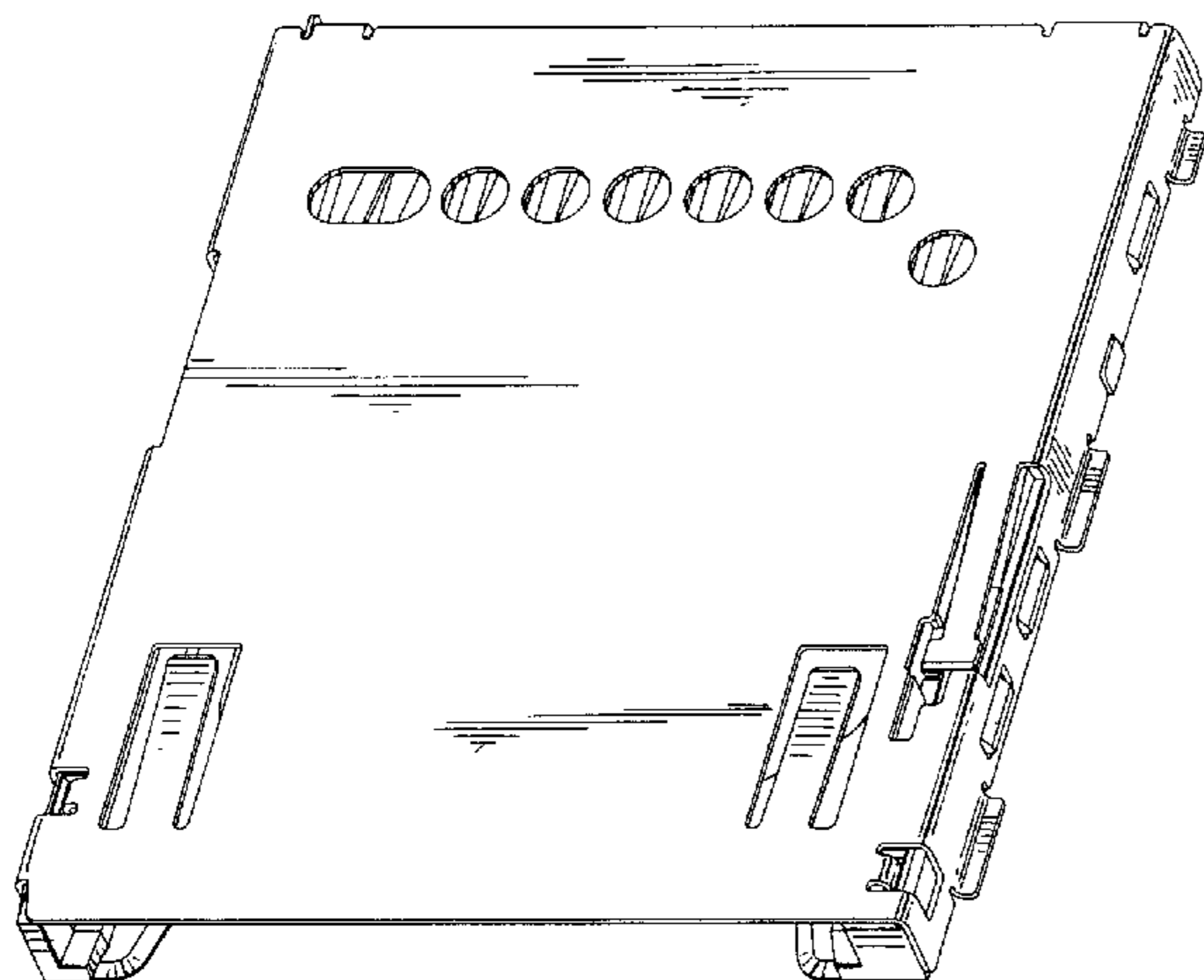


FIG. 1

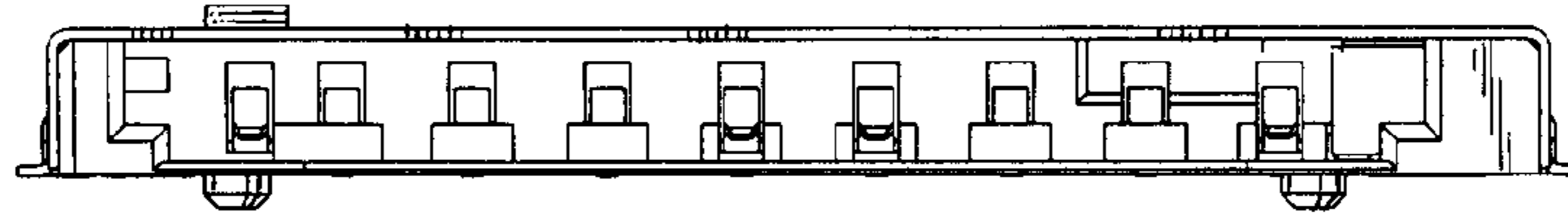


FIG. 2

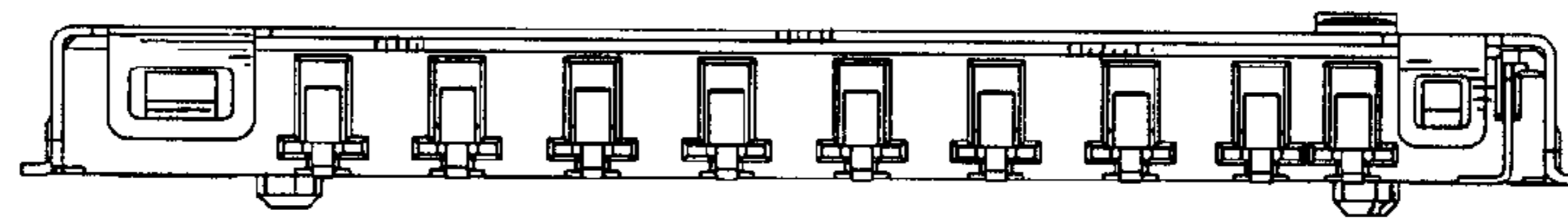


FIG. 3

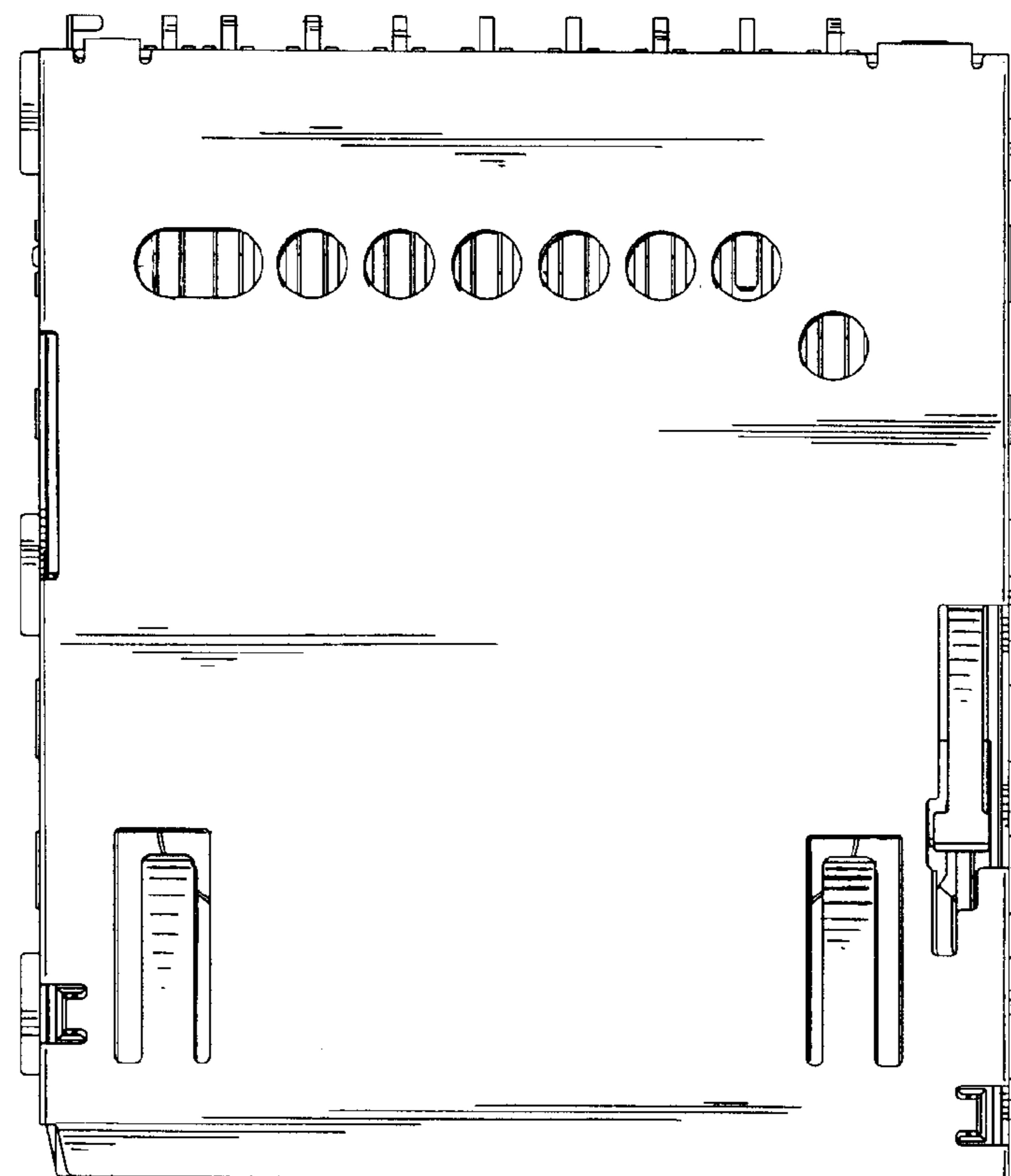


FIG. 4

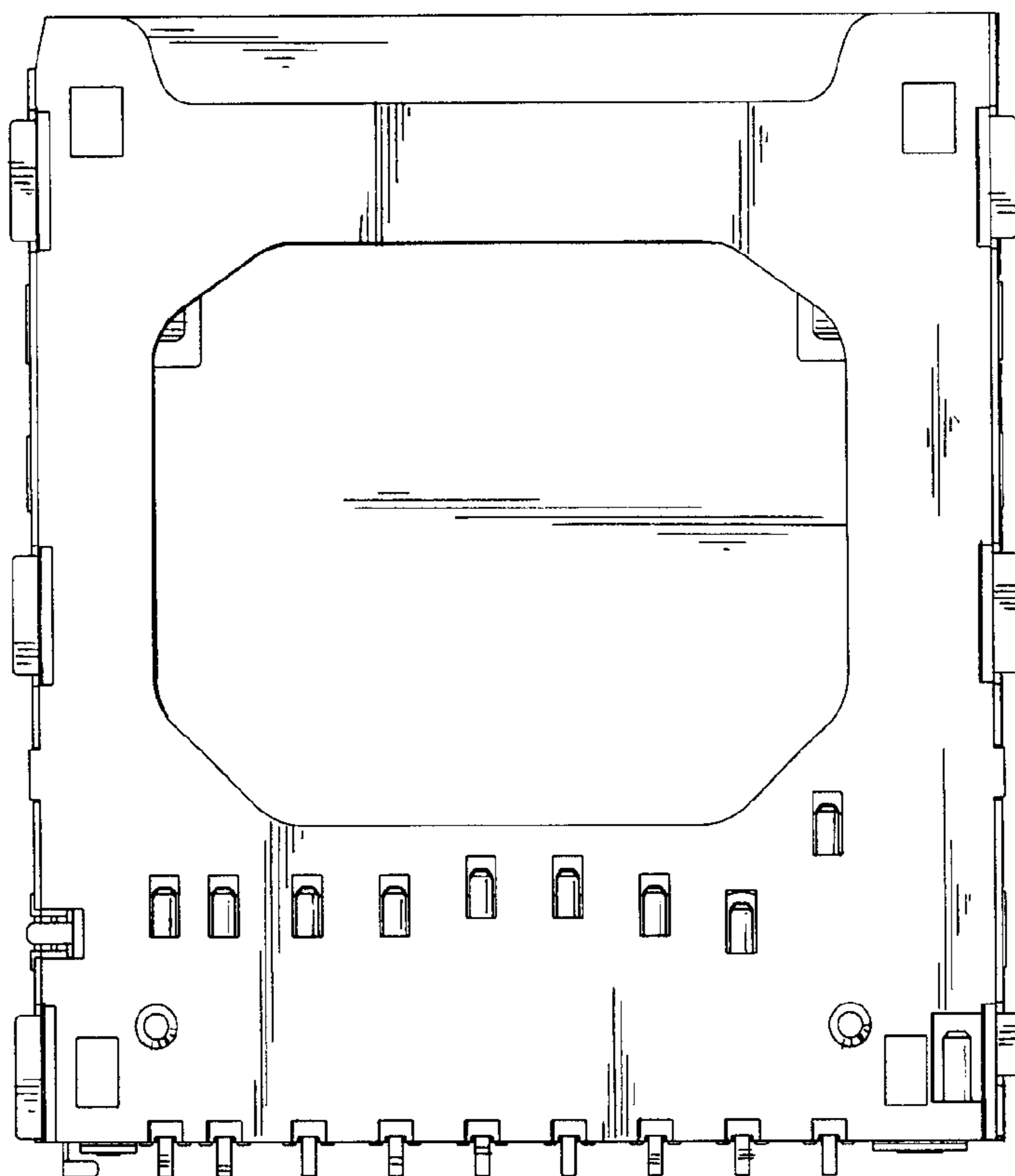


FIG. 5

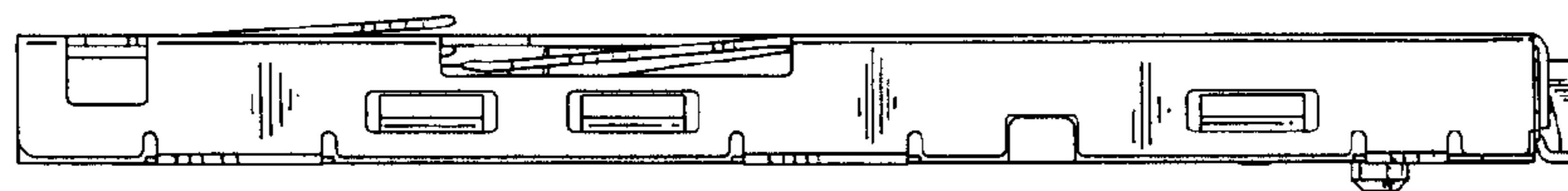


FIG. 6

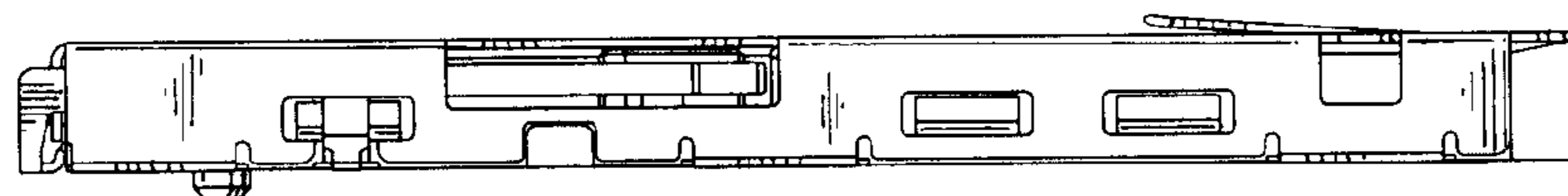


FIG. 7

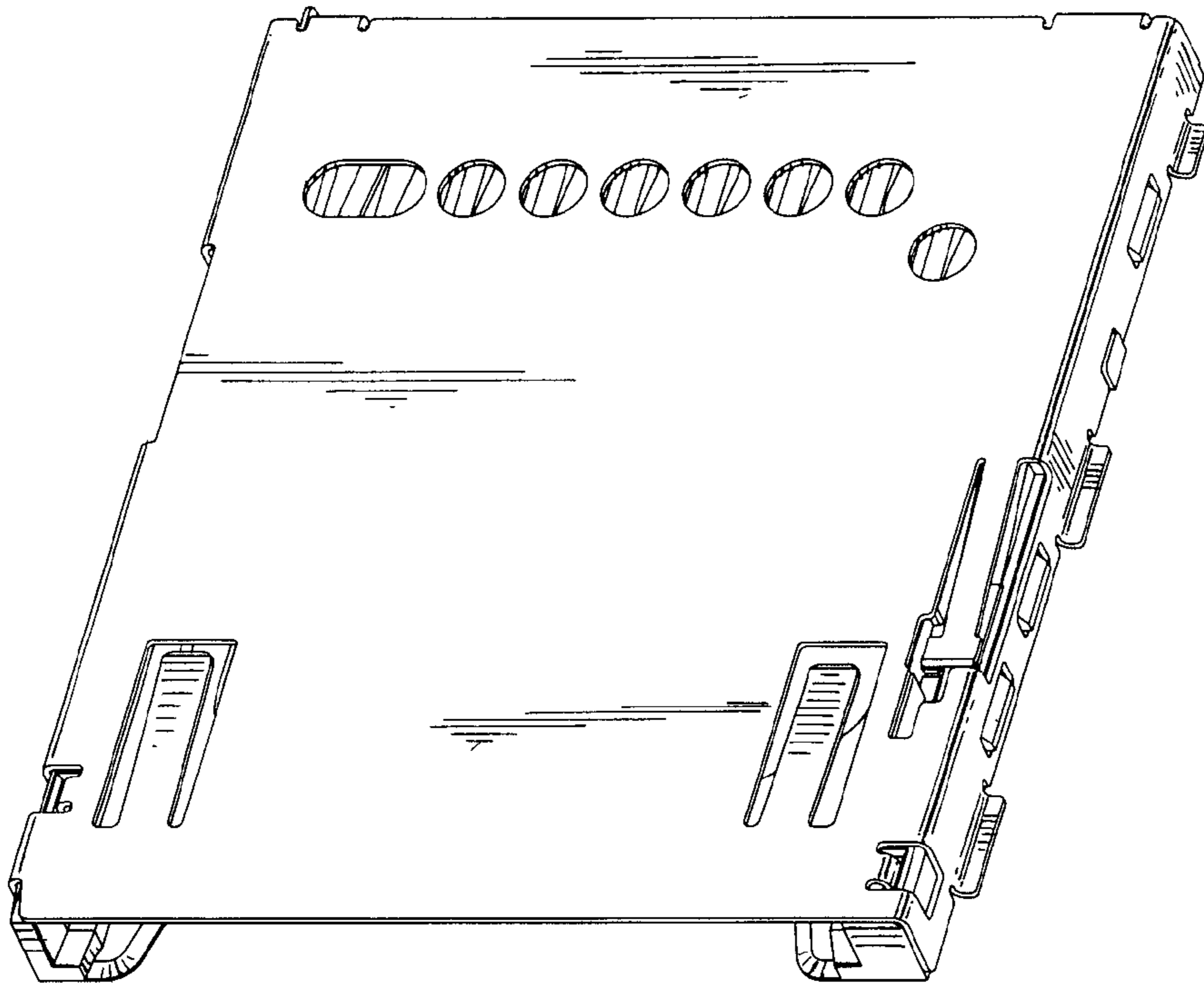


FIG. 8

