



US00D535256S

(12) **United States Design Patent** (10) **Patent No.:** **US D535,256 S**
Fort et al. (45) **Date of Patent:** **** Jan. 16, 2007**

(54) **PORTION OF A DECORATOR RECEPTACLE**

(75) Inventors: **Tucker H. Fort**, New York, NY (US);
Mark B. Greenwald, Westport, CT
(US); **Jean Claude Marcou**, Limoges
(FR); **Jay J. Mendelson**, Hartsdale, NY
(US)

(73) Assignee: **Cooper Wiring Devices, Inc.**,
Peachtree City, GA (US)

(**) Term: **14 Years**

(21) Appl. No.: **29/243,100**

(22) Filed: **Nov. 18, 2005**

Related U.S. Application Data

(63) Continuation of application No. 29/193,480, filed on Nov.
10, 2003, now Pat. No. Des. 512,377.

(51) **LOC (8) Cl.** **13-03**

(52) **U.S. Cl.** **D13/139.3**

(58) **Field of Classification Search** .. D13/137.1-137.4,
D13/139.1-139.8, 177; D6/300, 301, 310;
D8/350, 353; D11/132, 140; D12/193; D20/13,
D20/15, 27; 174/50-51, 53-55, 58, 66-67
See application file for complete search history.

(56) **References Cited**

U.S. PATENT DOCUMENTS

D37,307 S	*	1/1905	Collins, Jr.	D6/300
2,141,936 A	*	12/1938	Schmitt	200/304
D261,135 S	*	10/1981	Horne	D13/152
D269,341 S		6/1983	Doyle et al.		
D269,429 S		6/1983	Doyle et al.		
D269,430 S		6/1983	Doyle et al.		
D269,510 S		6/1983	Doyle et al.		
D271,869 S		12/1983	Doyle et al.		
D272,619 S	*	2/1984	Elmenyaw	D13/177
4,518,945 A		5/1985	Doyle et al.		
4,631,354 A		12/1986	Boteler		
4,774,384 A		9/1988	Gregory		
4,802,052 A		1/1989	Brant et al.		

(Continued)

OTHER PUBLICATIONS

Installation and Operating Instructions for IMPRESSIONS
3-Key Incandescent Touch Dimmers, Pass & Seymour, May
1992.

IMPRESSIONS Electrical Wiring Devices and Accessories,
Pass & Seymour, Apr. 1991.

Catalog for LEVITON Wiring Devices for Construction and
Maintenance, Leviton Manufacturing Co., Inc. (2000).

LUTRON Residential Lighting Controls Catalog. pp. 70-73,
Lutron Electronics Co., Inc. (2001).

Primary Examiner—Alan P. Douglas

Assistant Examiner—Rosemary K. Tarcza

(74) *Attorney, Agent, or Firm*—SAIDMAN DesignLaw
Group

(57) **CLAIM**

The ornamental design for a portion of a decorator recep-
tacle, as shown and described.

DESCRIPTION

FIG. 1 is a front, bottom and right side perspective view of
the design;

FIG. 2 is a front view thereof;

FIG. 3 is a right side view thereof;

FIG. 4 is a left side view thereof;

FIG. 5 is a top plan view thereof;

FIG. 6 is a bottom plan view thereof;

FIG. 7 is a front, bottom and right side perspective view of
the design in combination with a wall plate;

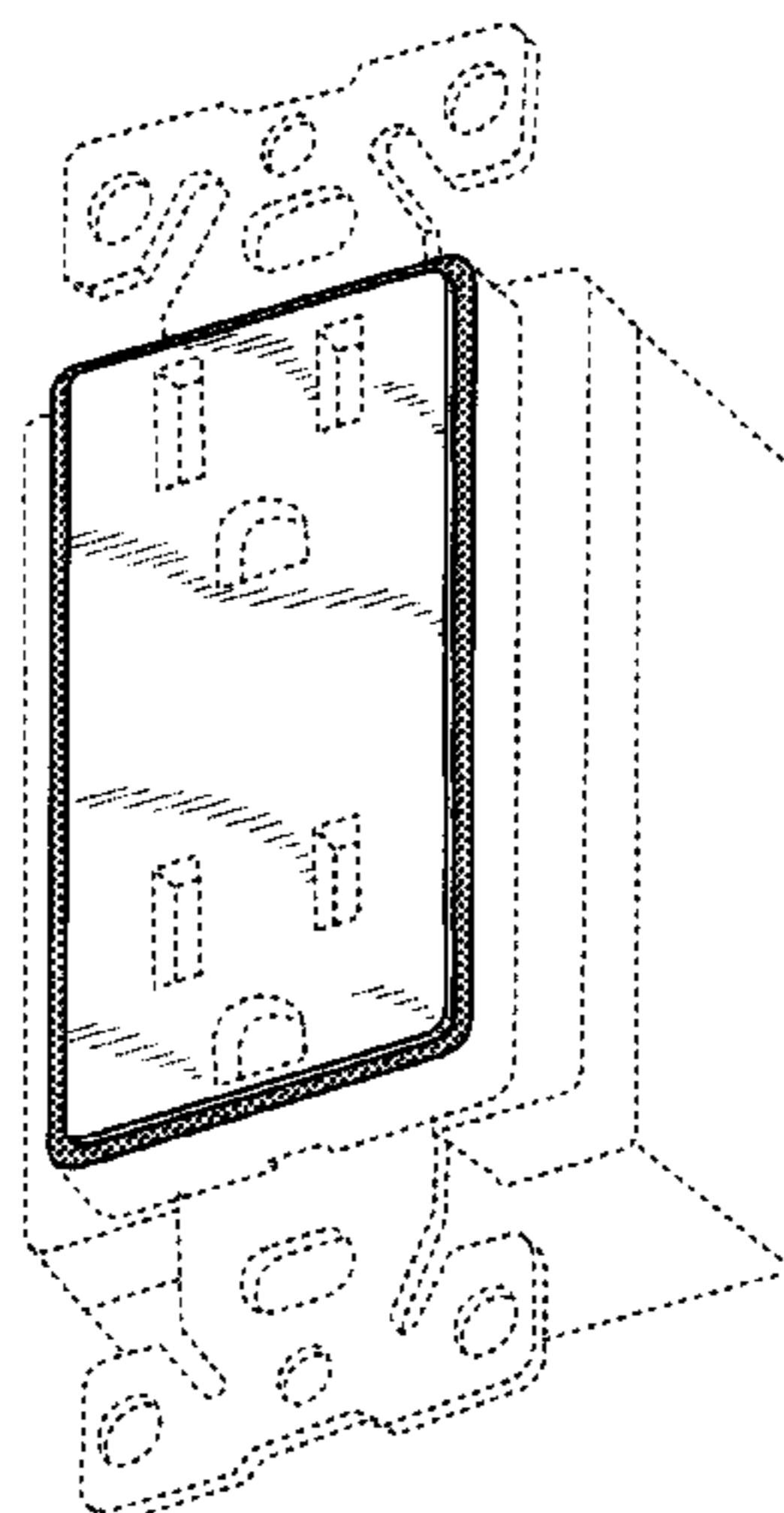
FIG. 8 is a front view of an alternative embodiment of the
design;

FIG. 9 is a front view of an alternative embodiment of the
design; and,

FIG. 10 is a front view of an alternative embodiment of the
design.

In all of the views, the dotted lines are for environmental
purposes only and form no part of the claimed design. The
rear is not part of the claimed design.

1 Claim, 6 Drawing Sheets



US D535,256 S

Page 2

U.S. PATENT DOCUMENTS

4,835,343	A	5/1989	Graef et al.			
D307,676	S	* 5/1990	Davis	D6/310		
D308,045	S	5/1990	Counts et al.			
D310,819	S	9/1990	Watson et al.			
D318,848	S	8/1991	Scholl			
5,073,681	A	12/1991	Hubben et al.			
D327,212	S	* 6/1992	Hubben et al.	D8/353		
D346,949	S	5/1994	Comerci et al.			
D350,530	S	9/1994	Comerci et al.			
5,434,740	A	* 7/1995	Chan	361/118		
D380,453	S	* 7/1997	Krajci et al.	D13/177		
D405,760	S	2/1999	Yu			
5,933,063	A	8/1999	Keung et al.			
D414,745	S	10/1999	Schmitt			
D430,539	S	9/2000	Leopold et al.			
6,184,466	B1	2/2001	Eder et al.			
D450,665	S	11/2001	Isely et al.			
D466,085	S	11/2002	Heggem			
D505,395	S	* 5/2005	Fort et al.	D13/177		
D509,127	S	* 9/2005	Millward et al.	D8/350		
D512,377	S	* 12/2005	Fort et al.	D13/139.3		
D516,512	S	* 3/2006	Adams et al.	D13/139.1		

* cited by examiner

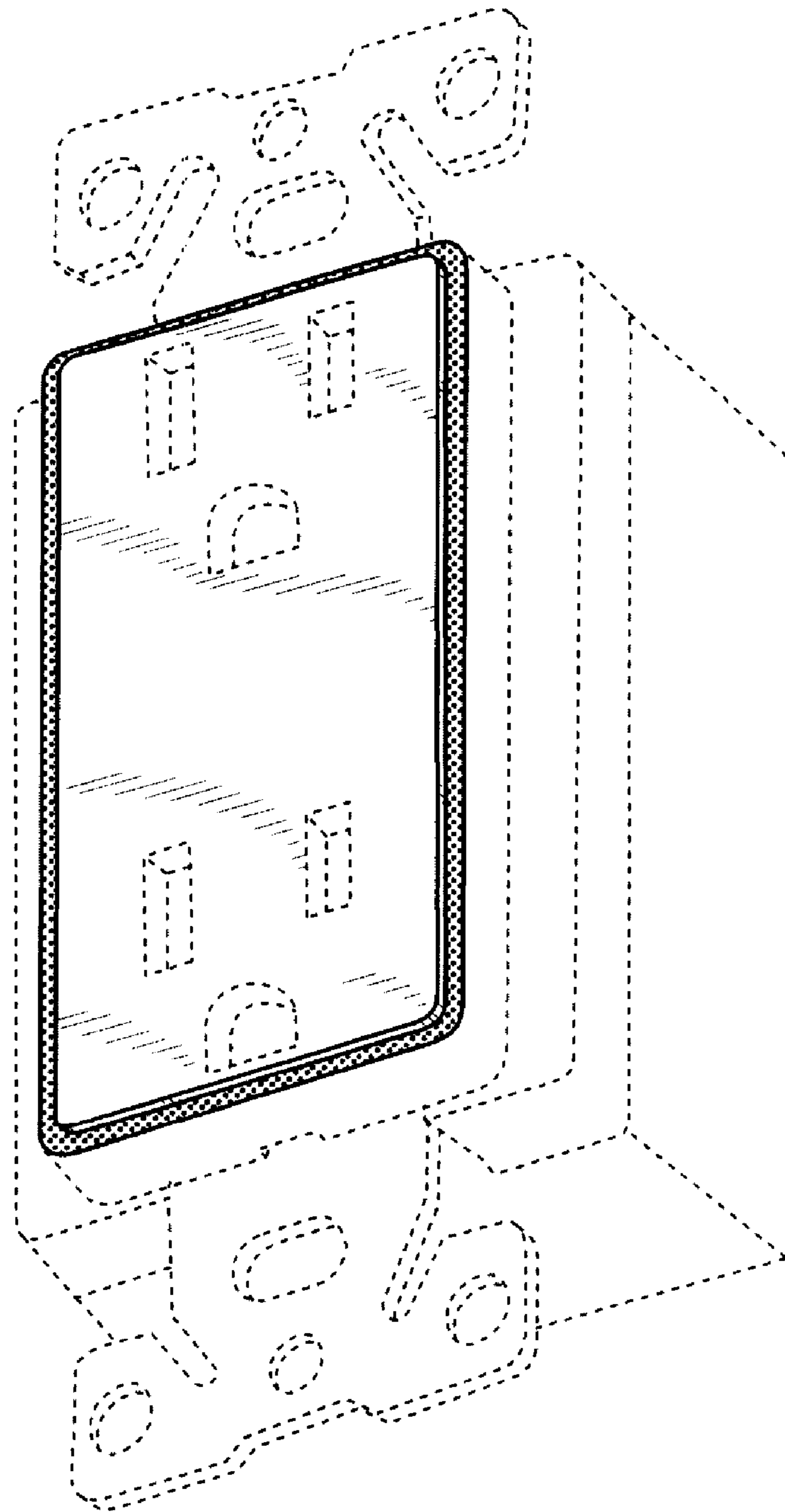


Fig. 1

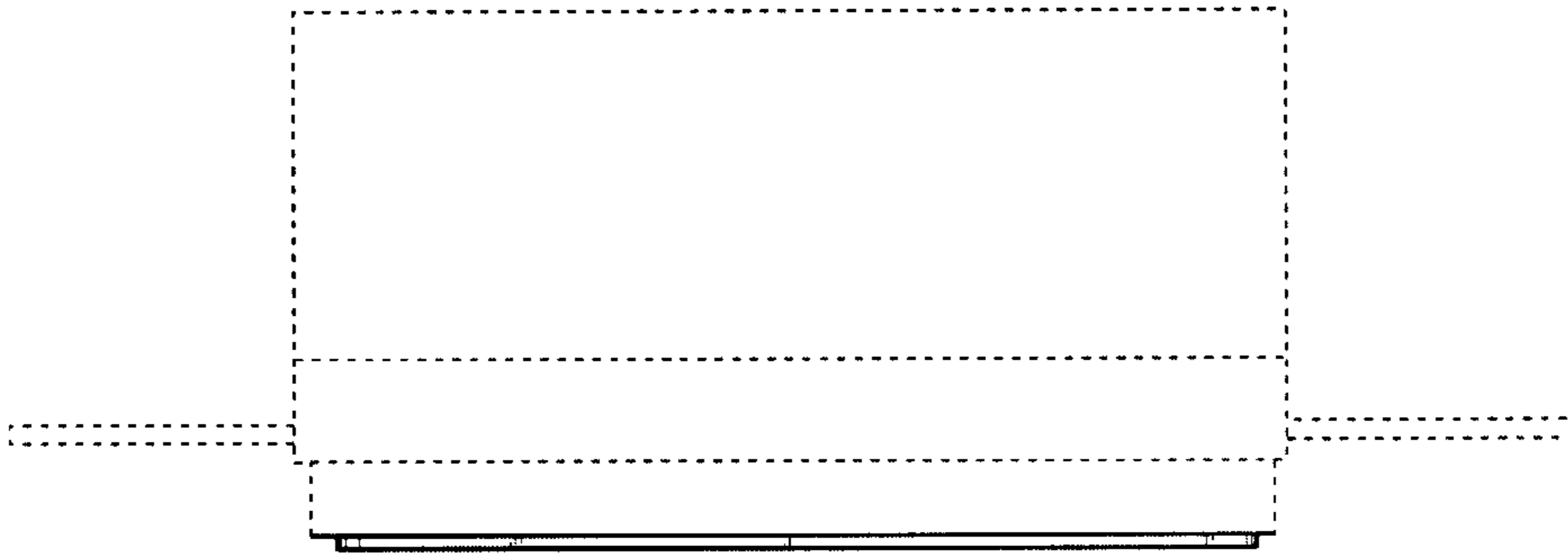


Fig. 3

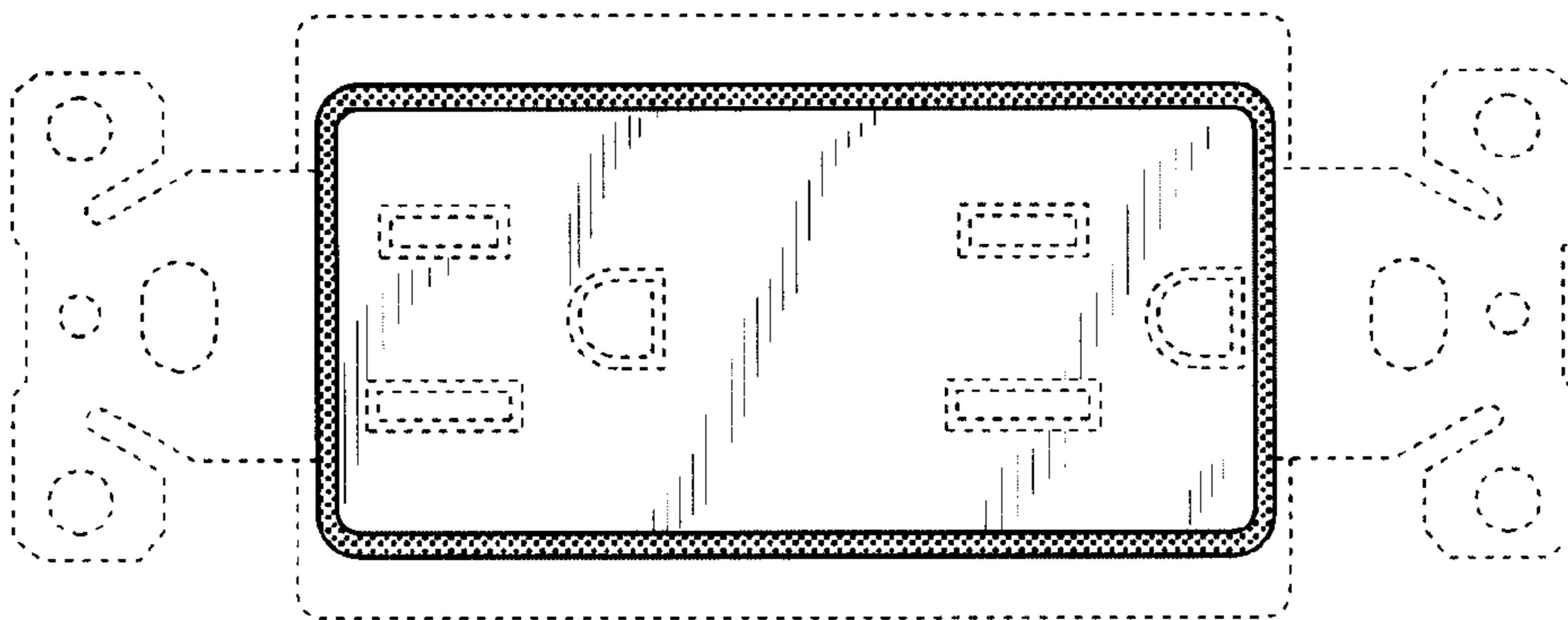


Fig. 2

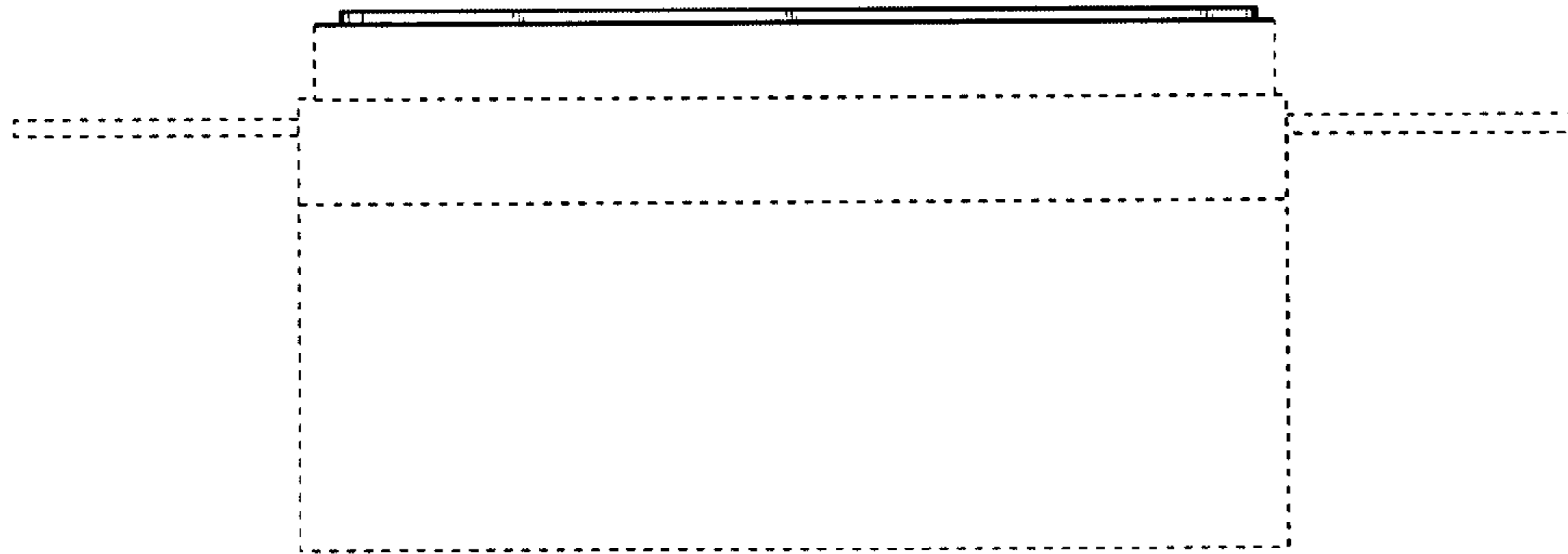


Fig. 4

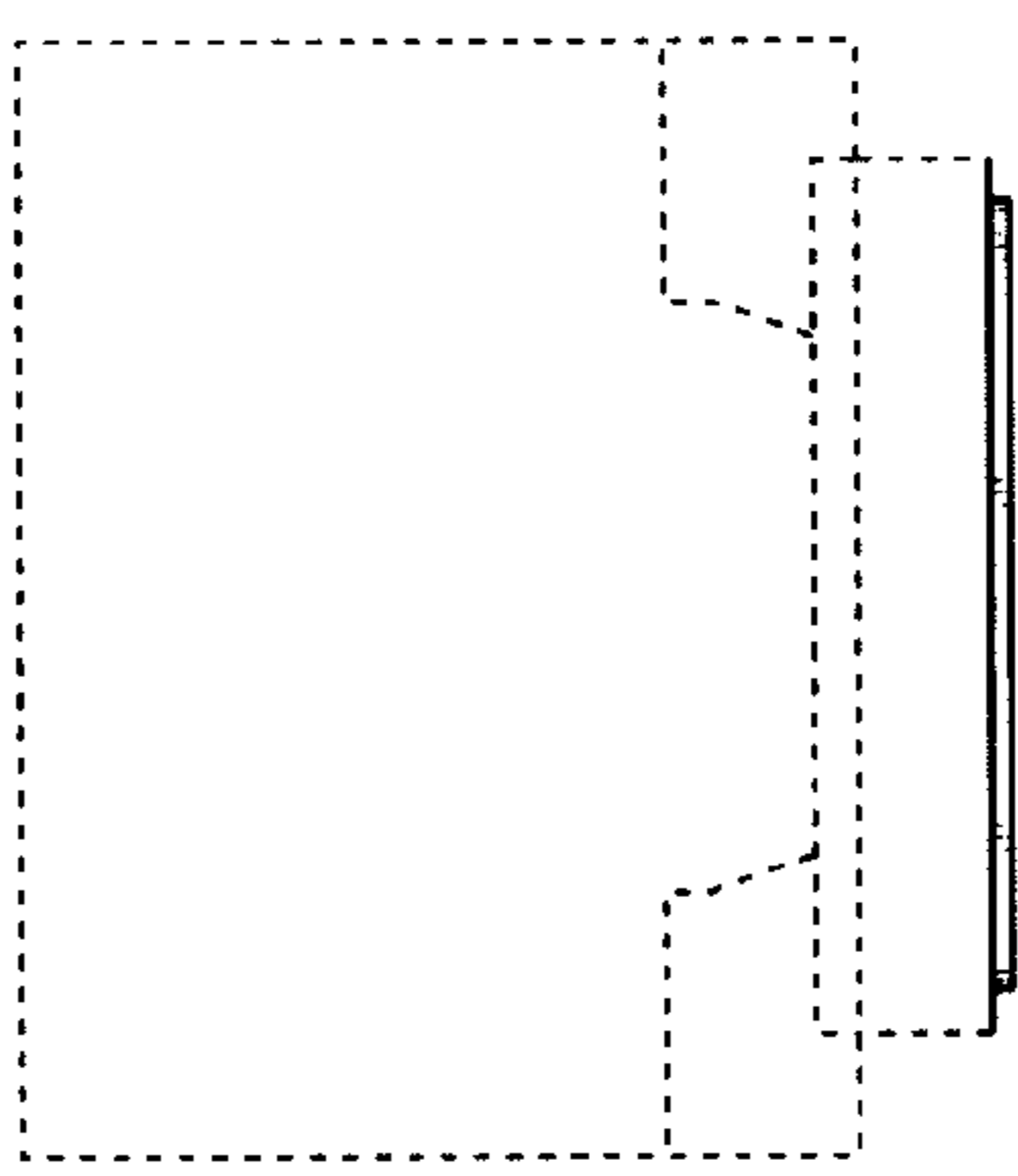


Fig. 5

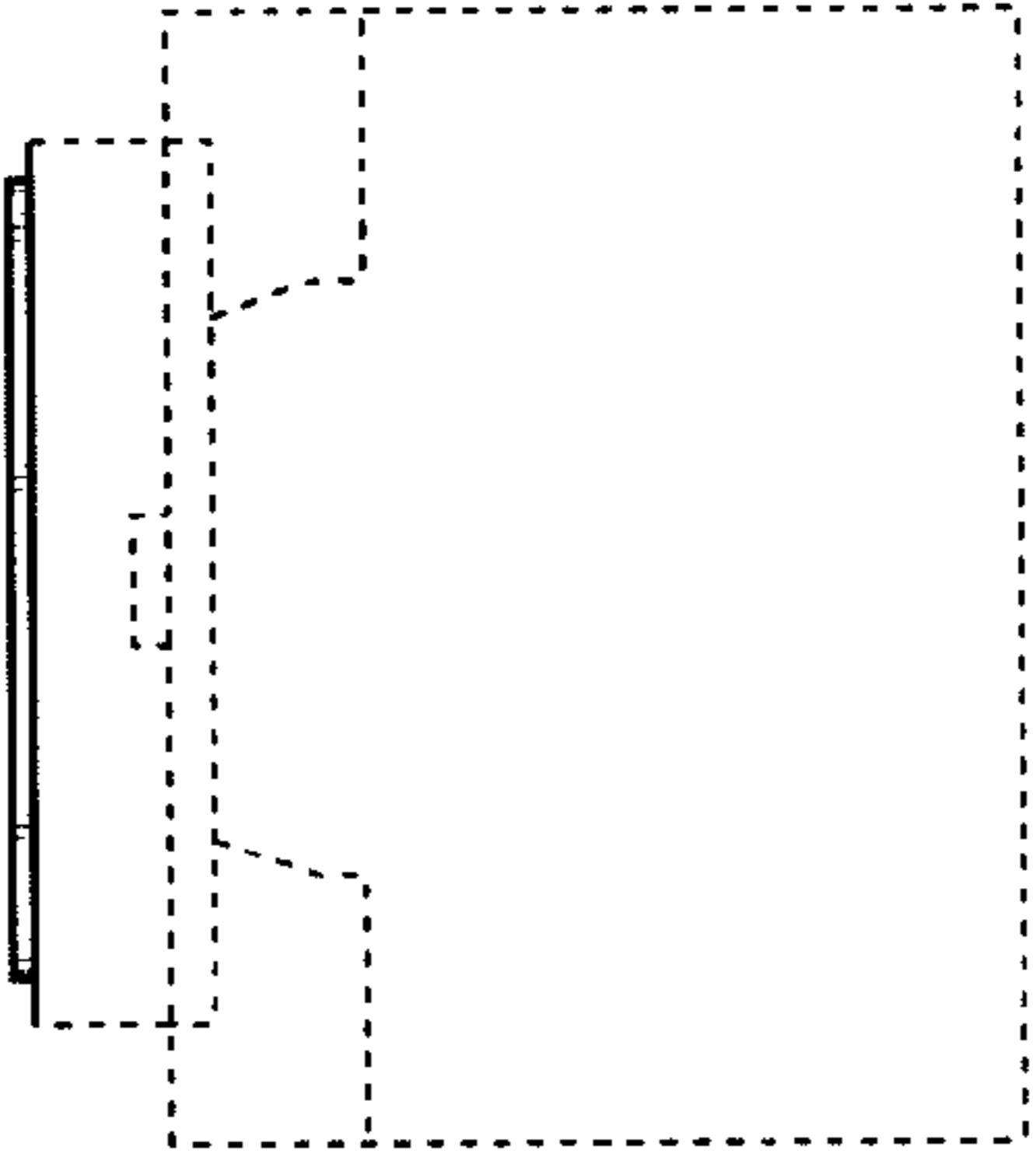


Fig. 6

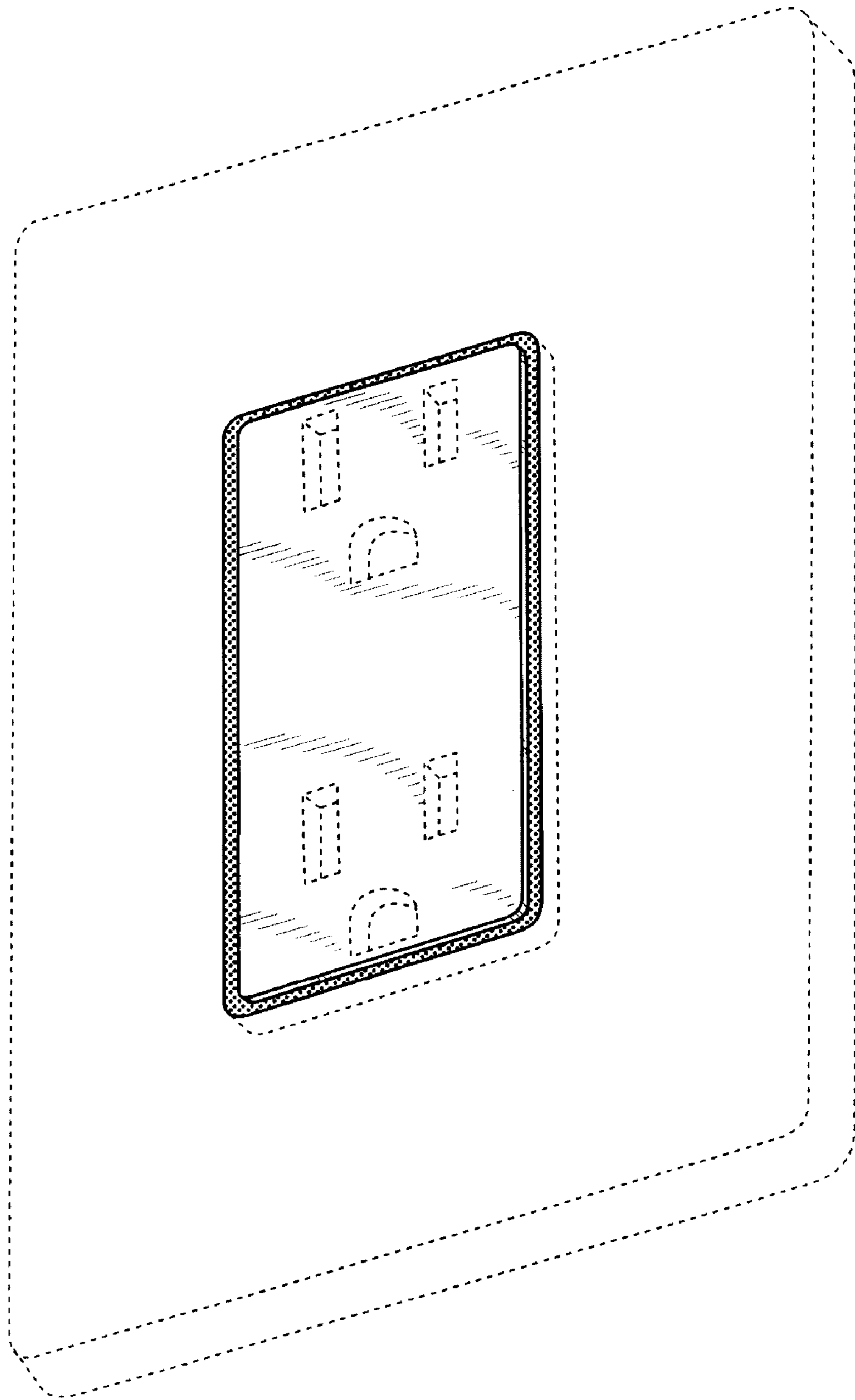


Fig. 7

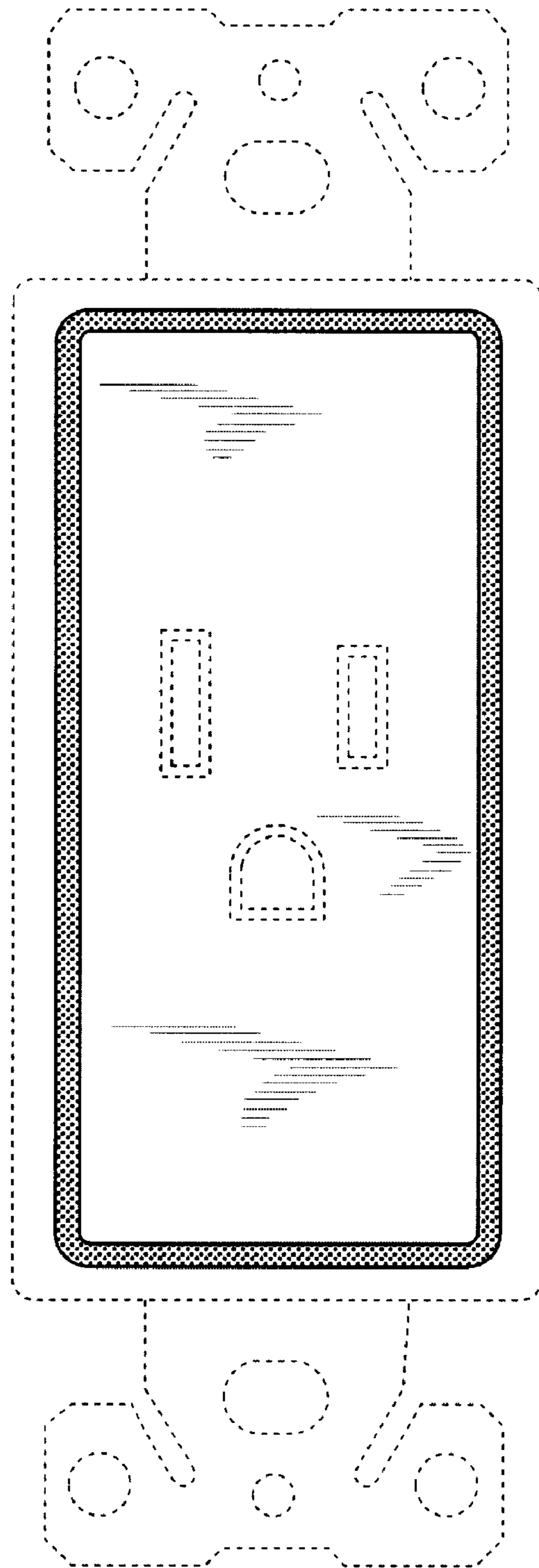


Fig. 8

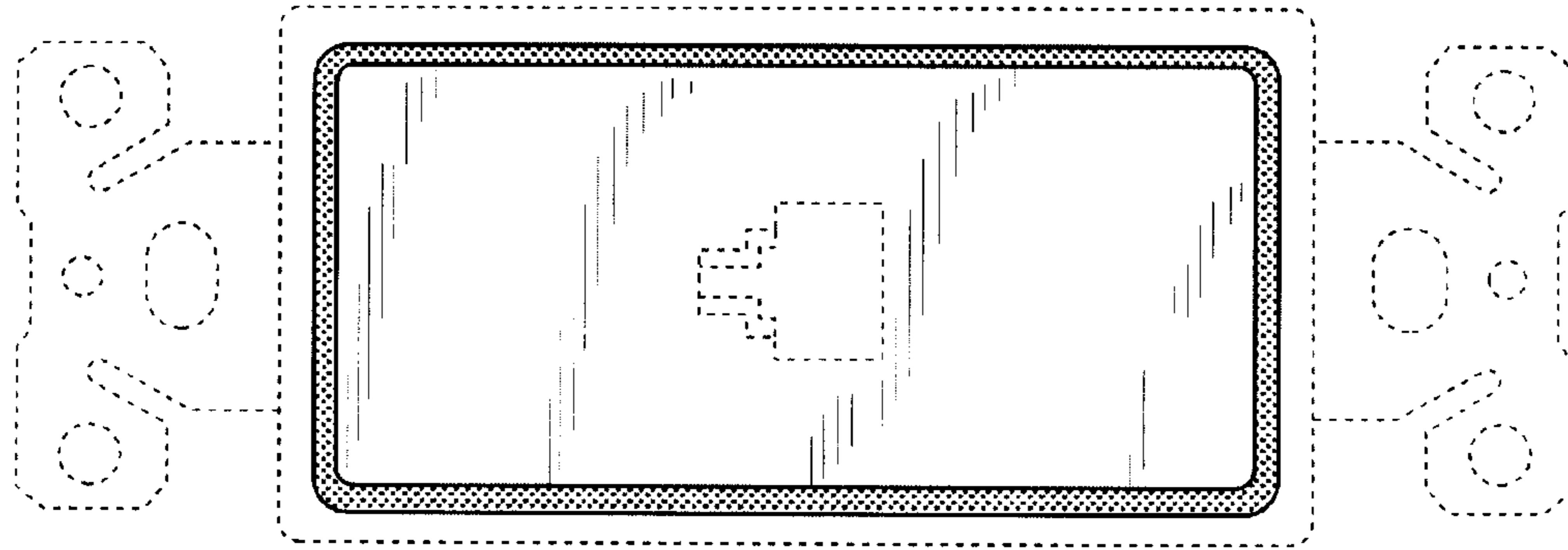


Fig. 9

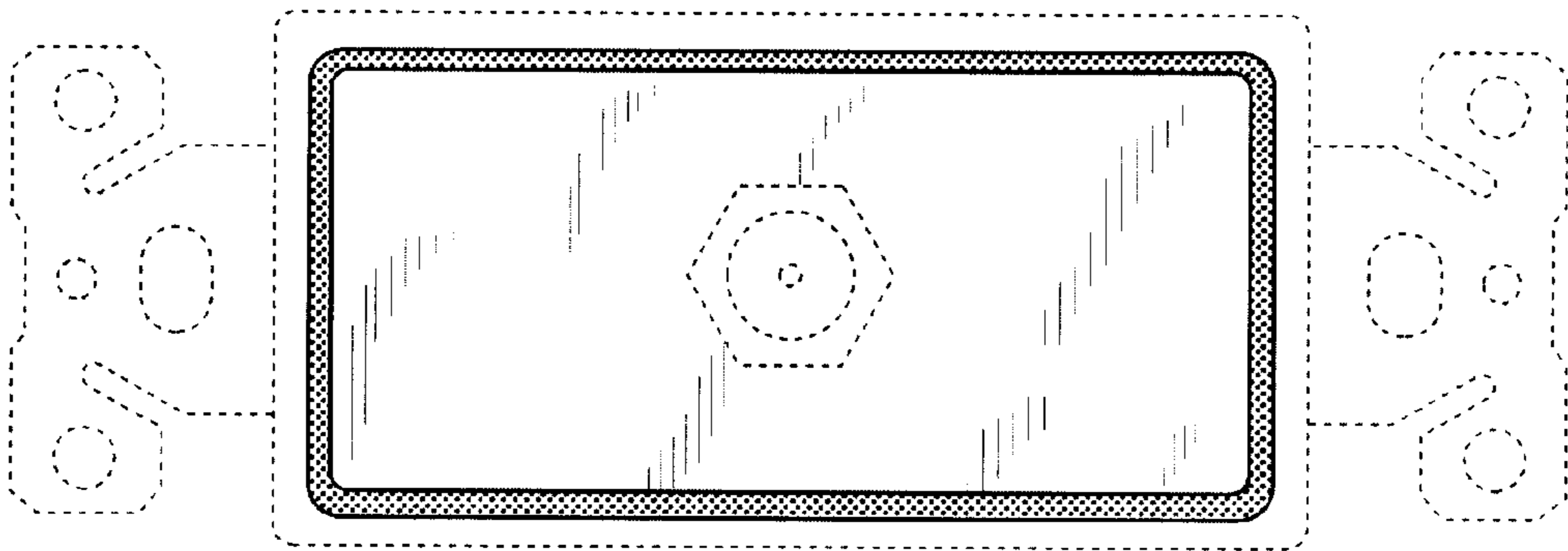


Fig. 10