



US00D535253S

(12) **United States Design Patent** (10) **Patent No.:** **US D535,253 S**
Buck (45) **Date of Patent:** **** Jan. 16, 2007**

(54) **BATTERY PACK TERMINAL AND HOUSING**

(75) Inventor: **John E. Buck**, Cockeysville, MD (US)

(73) Assignee: **Black & Decker Inc.**, Newark, DE (US)

(**) Term: **14 Years**

(21) Appl. No.: **29/162,019**

(22) Filed: **Jun. 7, 2002**

Related U.S. Application Data

(63) Continuation of application No. 29/089,518, filed on Jun. 17, 1998, now Pat. No. Des. 463,774.

(51) **LOC (8) Cl.** **13-02**

(52) **U.S. Cl.** **D13/120; D13/103**

(58) **Field of Classification Search** D13/103, D13/120, 133, 146, 147; 439/500, 660, 733.1, 439/79

See application file for complete search history.

(56) **References Cited**

U.S. PATENT DOCUMENTS

- 5,221,210 A * 6/1993 Bormuth et al. 439/79
- 5,674,078 A * 10/1997 Davis et al. 439/79
- D413,564 S * 9/1999 Hershberger et al. D13/103
- D415,100 S * 10/1999 Buck D13/103
- 5,977,746 A * 11/1999 Hershberger et al. 320/112
- 6,057,608 A * 5/2000 Bailey, Jr. et al. 320/112 X
- D436,917 S * 1/2001 Hayakawa et al. D13/103

- D447,122 S * 8/2001 Harasawa et al. D13/147
- D456,002 S * 4/2002 Kato et al. D13/103
- 2001/0021609 A1 * 9/2001 Chaing 439/682
- 2001/0034163 A1 * 10/2001 Chiang 439/660

* cited by examiner

Primary Examiner—Freda Nunn

Assistant Examiner—Rosemary K. Tarcza

(74) *Attorney, Agent, or Firm*—Adan Ayala

(57) **CLAIM**

The ornamental design for a battery pack terminal and housing, as shown and described.

DESCRIPTION

FIG. 1 is a front perspective view of a battery pack terminal and housing showing my new design.

FIG. 2 is a rear elevational view thereof.

FIG. 3 is a front elevational view thereof.

FIG. 4 is a top plan view thereof.

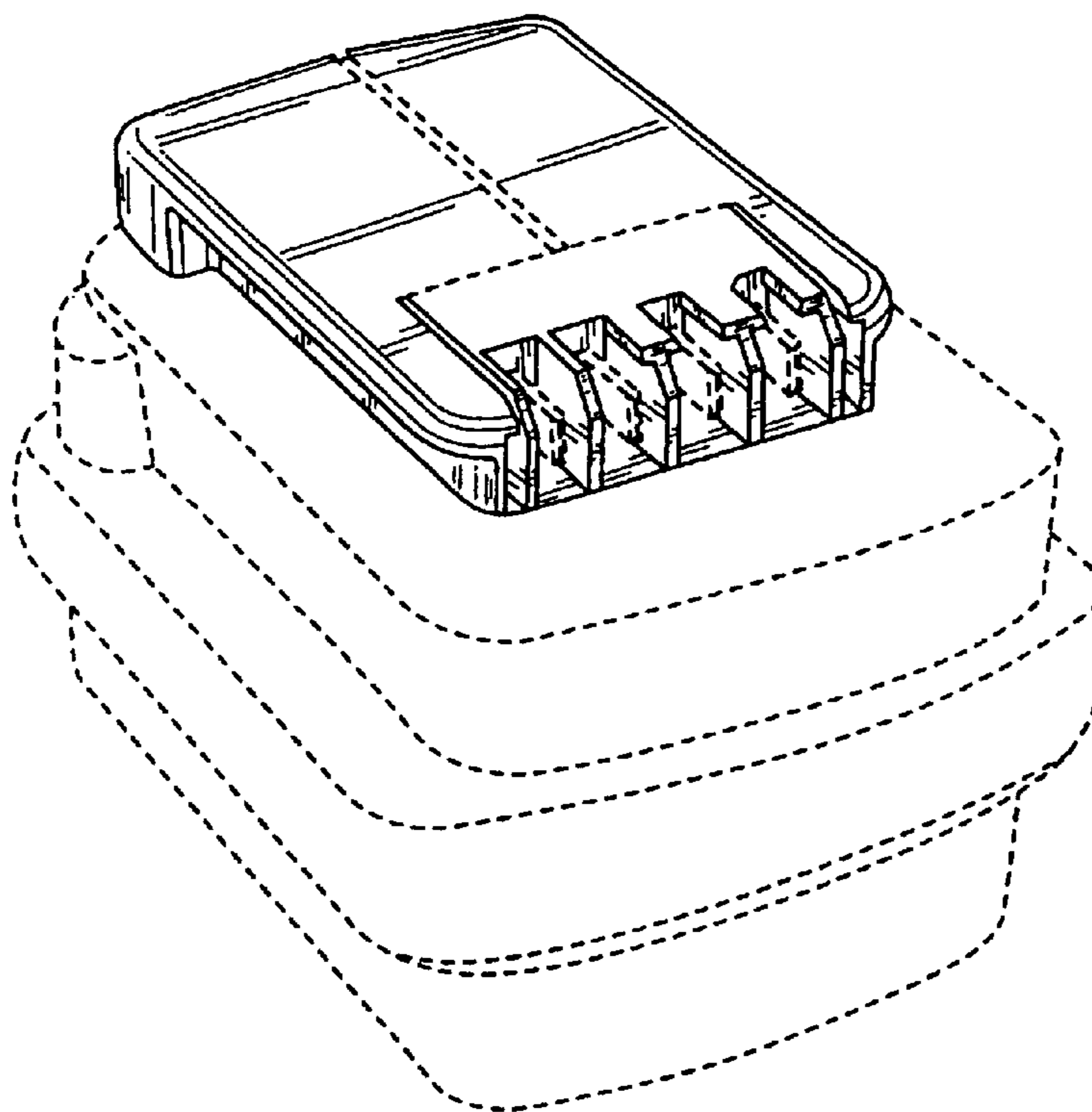
FIG. 5 is a right side elevational view thereof; and,

FIG. 6 is a left side elevational view thereof.

In FIGS. 1 and 4 the unshaded top surface from the contact openings to the lateral broken line is not part of the claimed design. The broken lines throughout the figures are included for the purpose illustrating portions of the battery pack terminal and housing that form no part of the claimed design.

The broken line showing is for illustrative purposes only and forms no part of the claimed design.

1 Claim, 4 Drawing Sheets



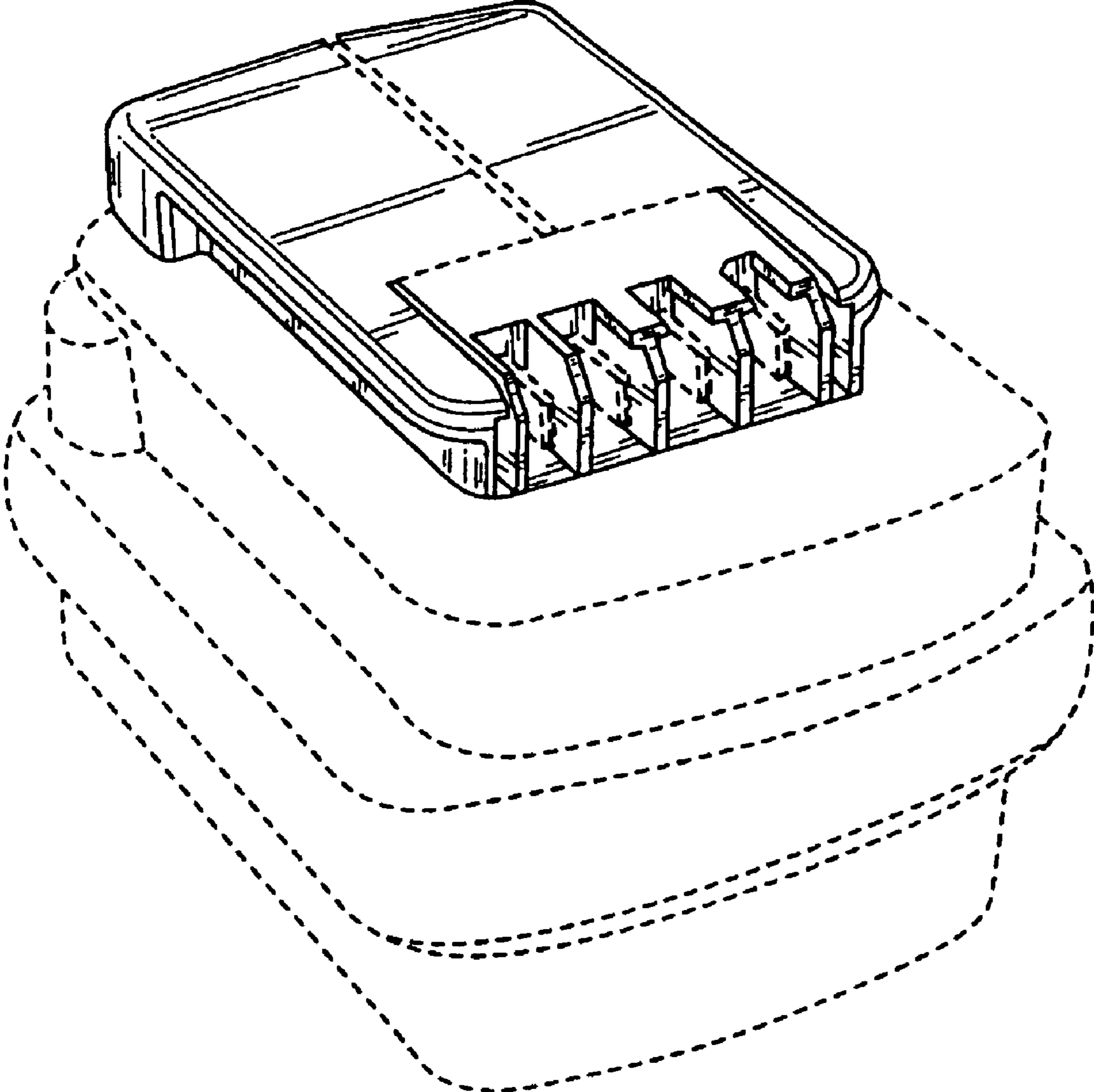


FIG. 1

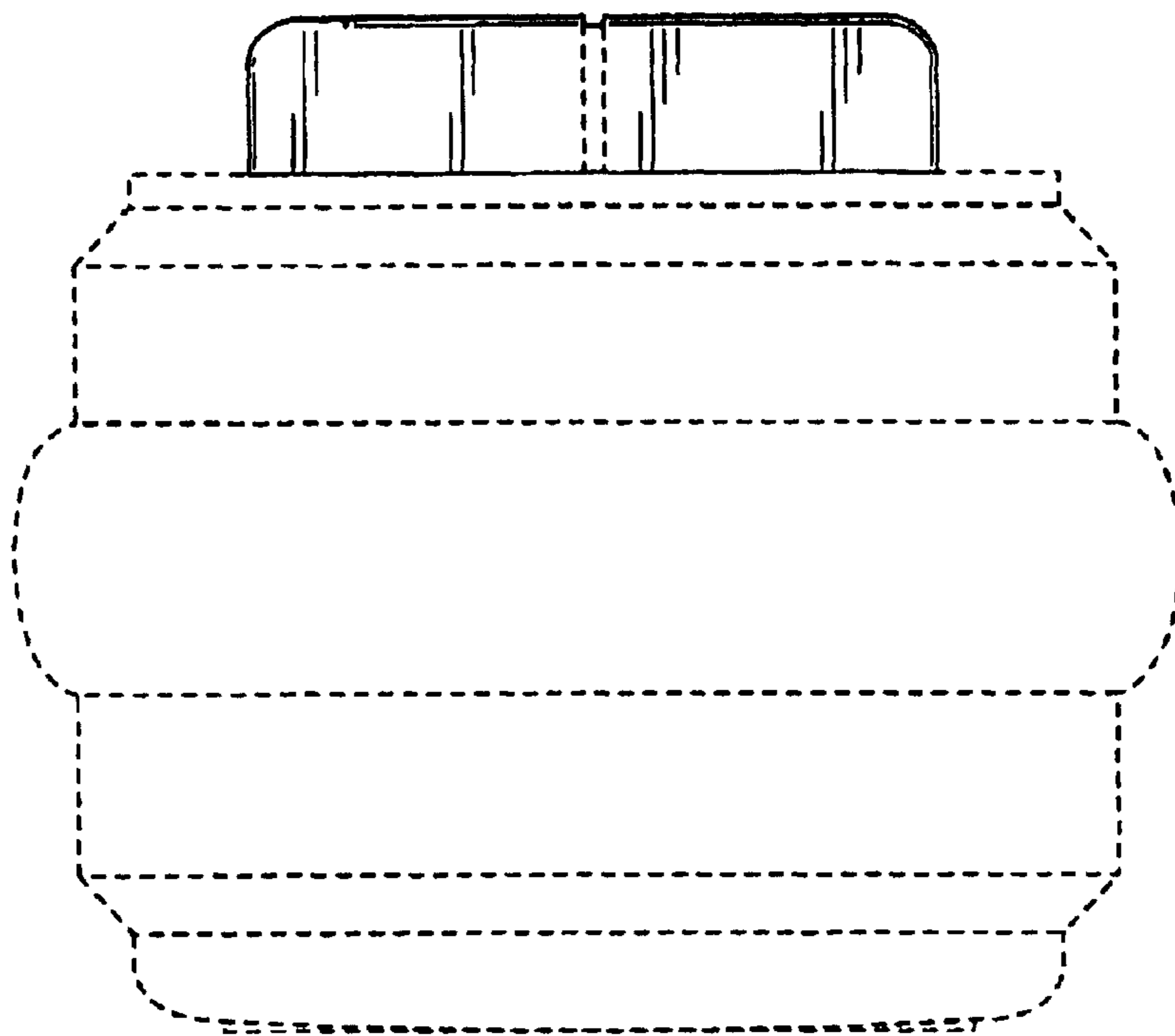


FIG. 2

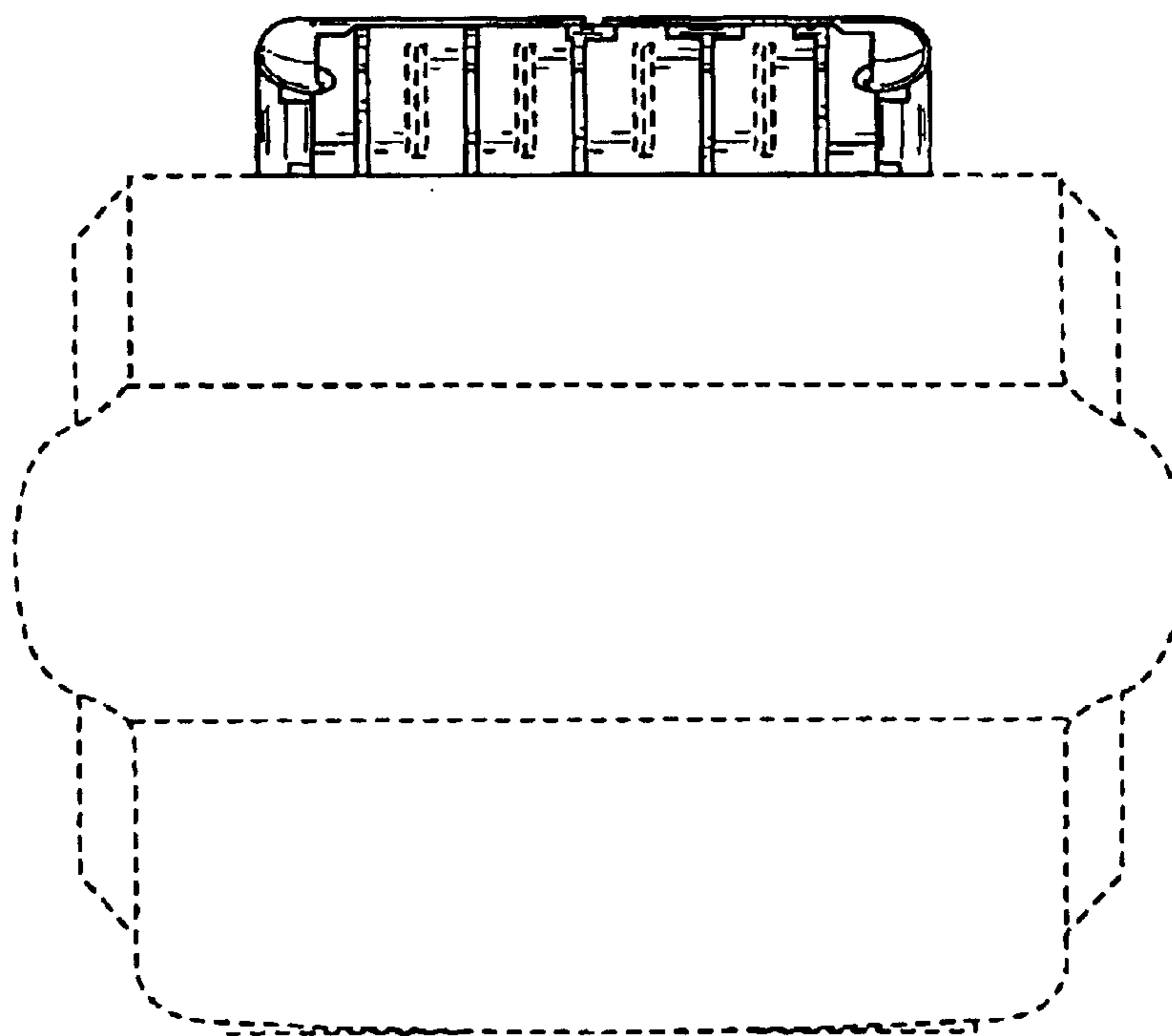


FIG. 3

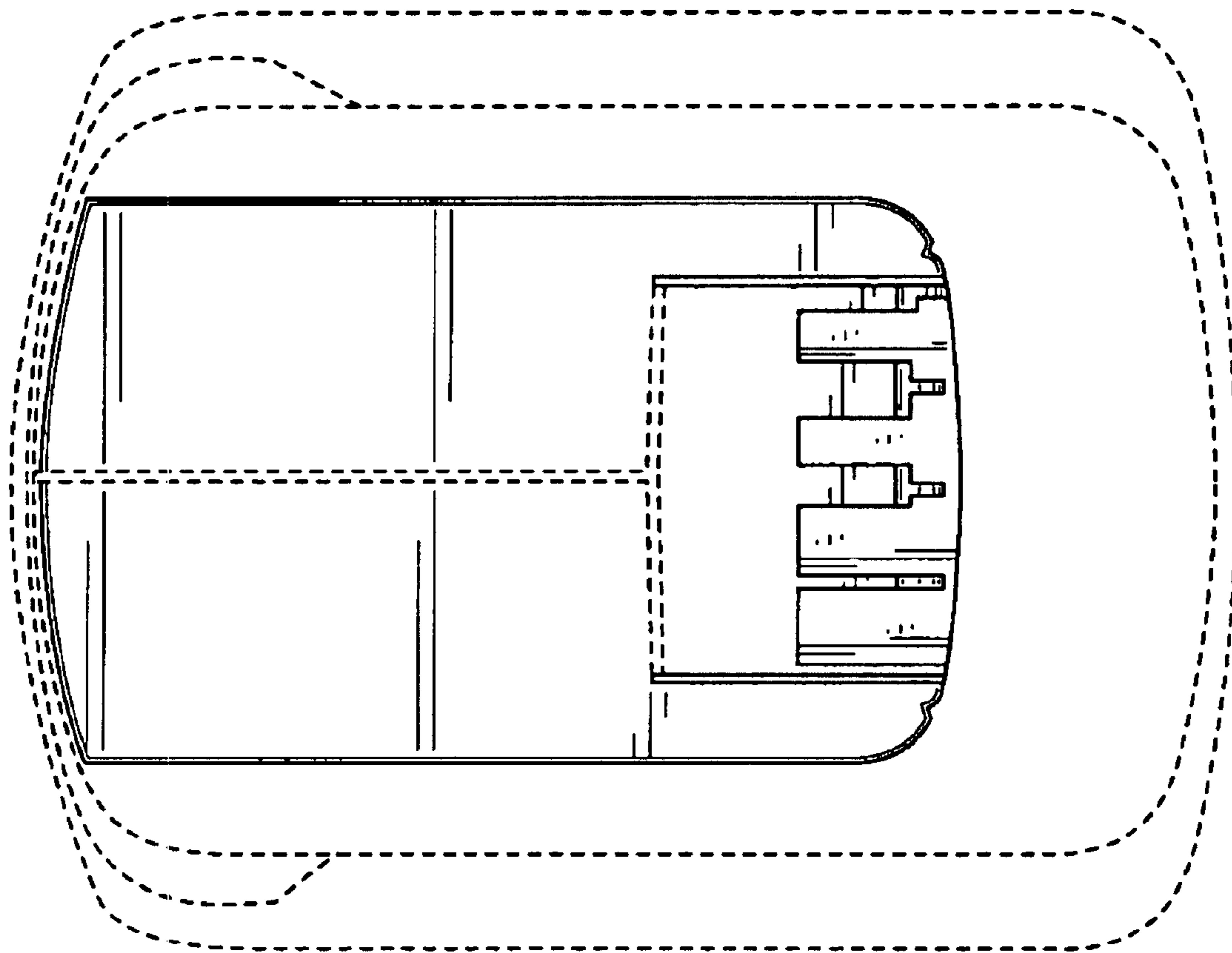


FIG. 4

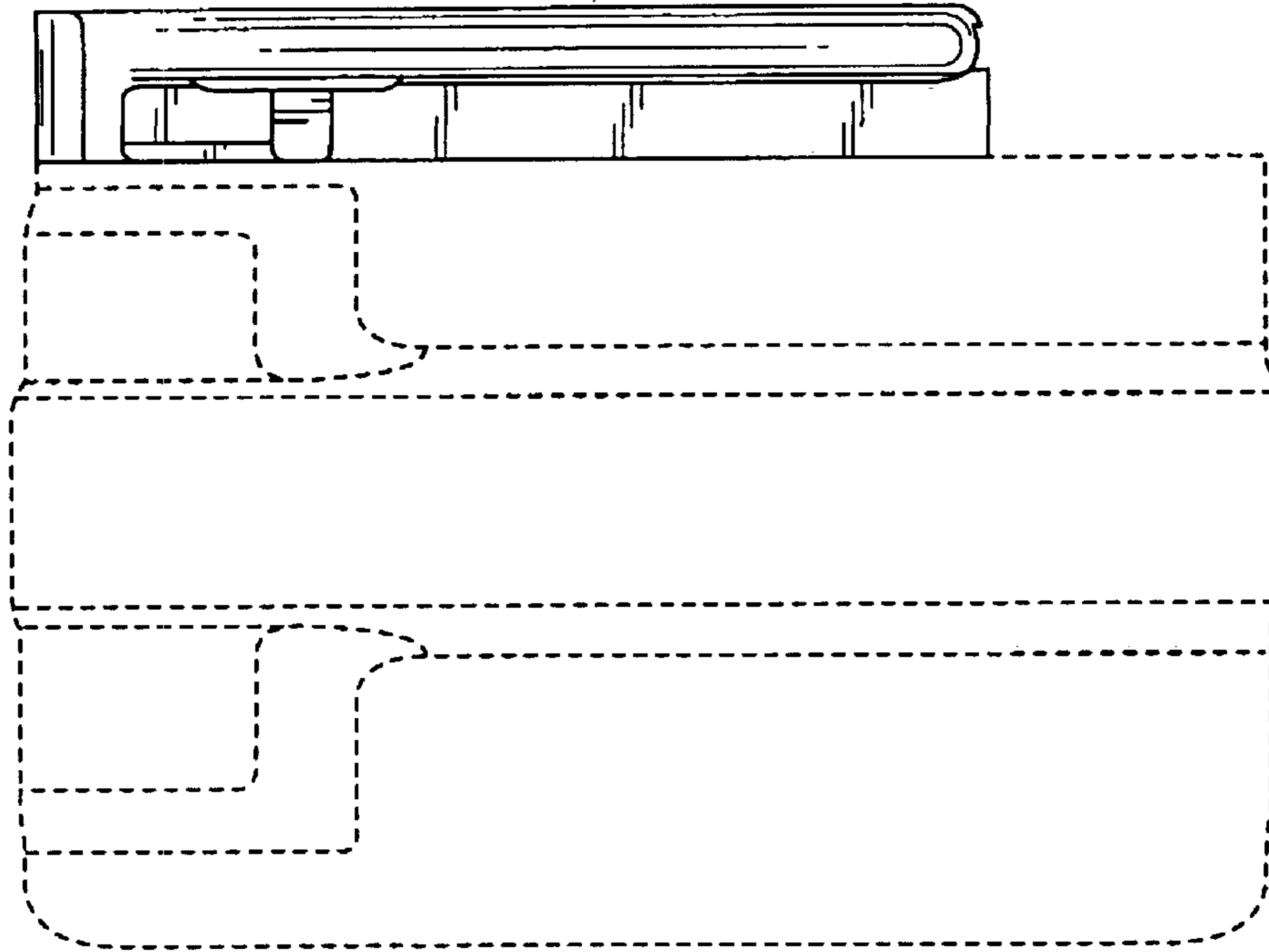


FIG. 5

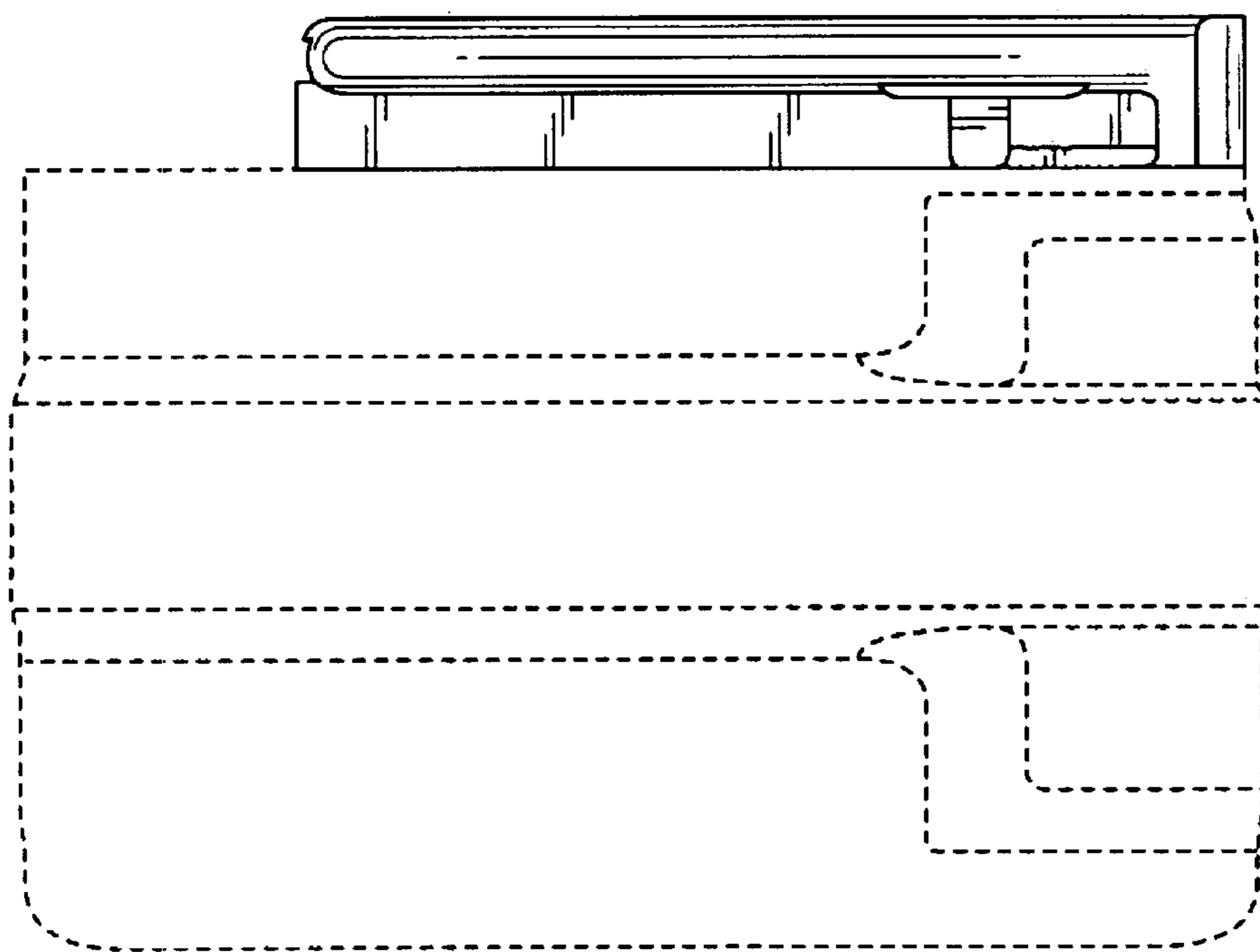


FIG. 6