



US00D535252S

(12) **United States Design Patent**
Sandnes

(10) **Patent No.:** **US D535,252 S**

(45) **Date of Patent:** **** Jan. 16, 2007**

(54) **CHARGER FOR ELECTRONIC DEVICE**

(75) Inventor: **Knut Snorre Sandnes**, Verdal (NO)

(73) Assignee: **Jumpit Manufacturing AS**, Oslo (NO)

(**) Term: **14 Years**

(21) Appl. No.: **29/240,549**

(22) Filed: **Oct. 17, 2005**

(30) **Foreign Application Priority Data**

Apr. 15, 2005 (NO) 20050195

(51) **LOC (8) Cl.** **13-02**

(52) **U.S. Cl.** **D13/108**

(58) **Field of Classification Search** D13/107-110,
D13/118-119, 184; D14/251, 253, 432, 434;
320/107-115; 455/573

See application file for complete search history.

(56) **References Cited**

U.S. PATENT DOCUMENTS

D267,795 S	*	2/1983	Mallon	D13/119
D297,633 S	*	9/1988	Peroni	D13/184
D320,991 S	*	10/1991	Nagai et al.	D14/251
D350,528 S	*	9/1994	Bent et al.	D13/108
D370,658 S	*	6/1996	Siddoway et al.	D13/108
D372,455 S	*	8/1996	Tiefenthal et al.	D13/108
5,768,371 A		6/1998	Snyder		
D419,160 S	*	1/2000	Davidson et al.	D14/253

6,043,626 A	*	3/2000	Snyder et al.	320/113
D458,934 S	*	6/2002	Mosquera	D14/434
D460,761 S	*	7/2002	Croley	D14/434
D486,492 S	*	2/2004	Sheu et al.	D14/434
2005/0116684 A1	*	6/2005	Kim	320/114
2005/0248312 A1	*	11/2005	Cao et al.	320/114

* cited by examiner

Primary Examiner—Alan P. Douglas

Assistant Examiner—Rosemary K. Tarcza

(74) *Attorney, Agent, or Firm*—Finnegan, Henderson, Farabow, Garrett & Dunner, L.L.P.

(57) **CLAIM**

The ornamental design for a charger for electronic device, as shown and described.

DESCRIPTION

FIG. 1 is a perspective view of a charger for electronic device showing my new design;

FIG. 2 is a top plan view thereof;

FIG. 3 is a front elevational view thereof;

FIG. 4 is a right side elevational view thereof;

FIG. 5 is a left side elevational view thereof;

FIG. 6 is a perspective view of a second embodiment of my design;

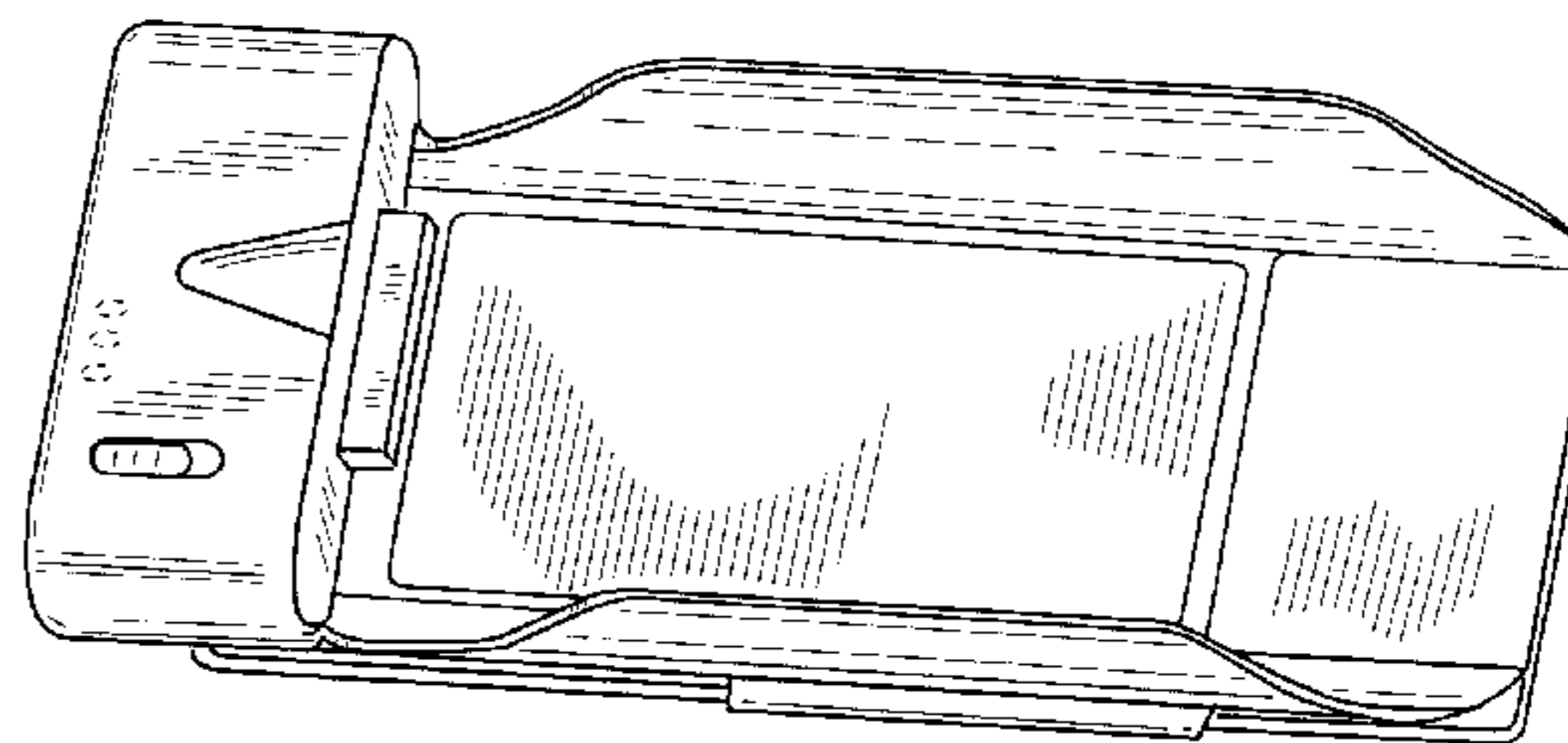
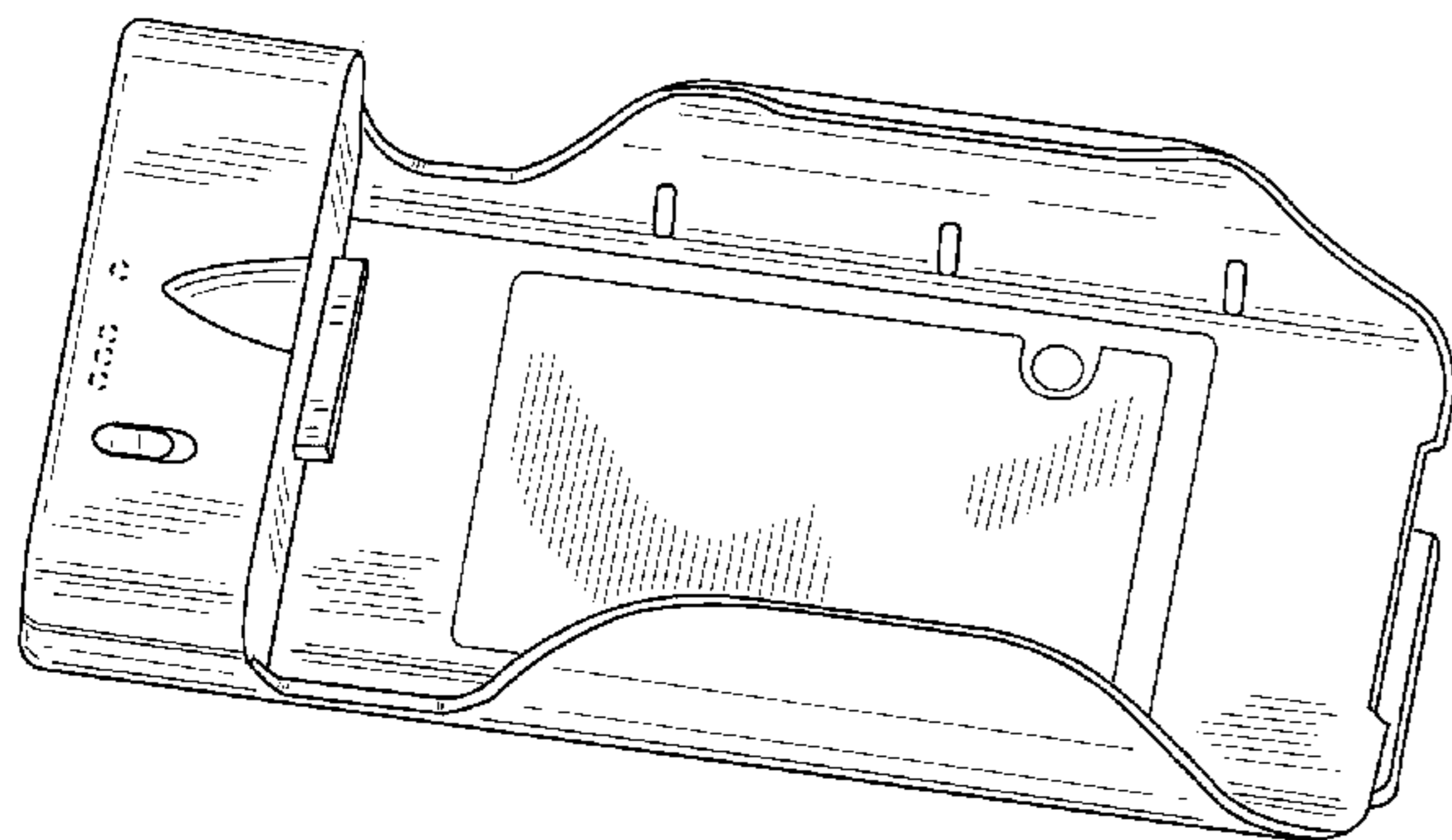
FIG. 7 is a top plan view thereof;

FIG. 8 is a front elevational view thereof;

FIG. 9 is a right side elevational view thereof; and,

FIG. 10 is a left side elevational view thereof.

1 Claim, 6 Drawing Sheets



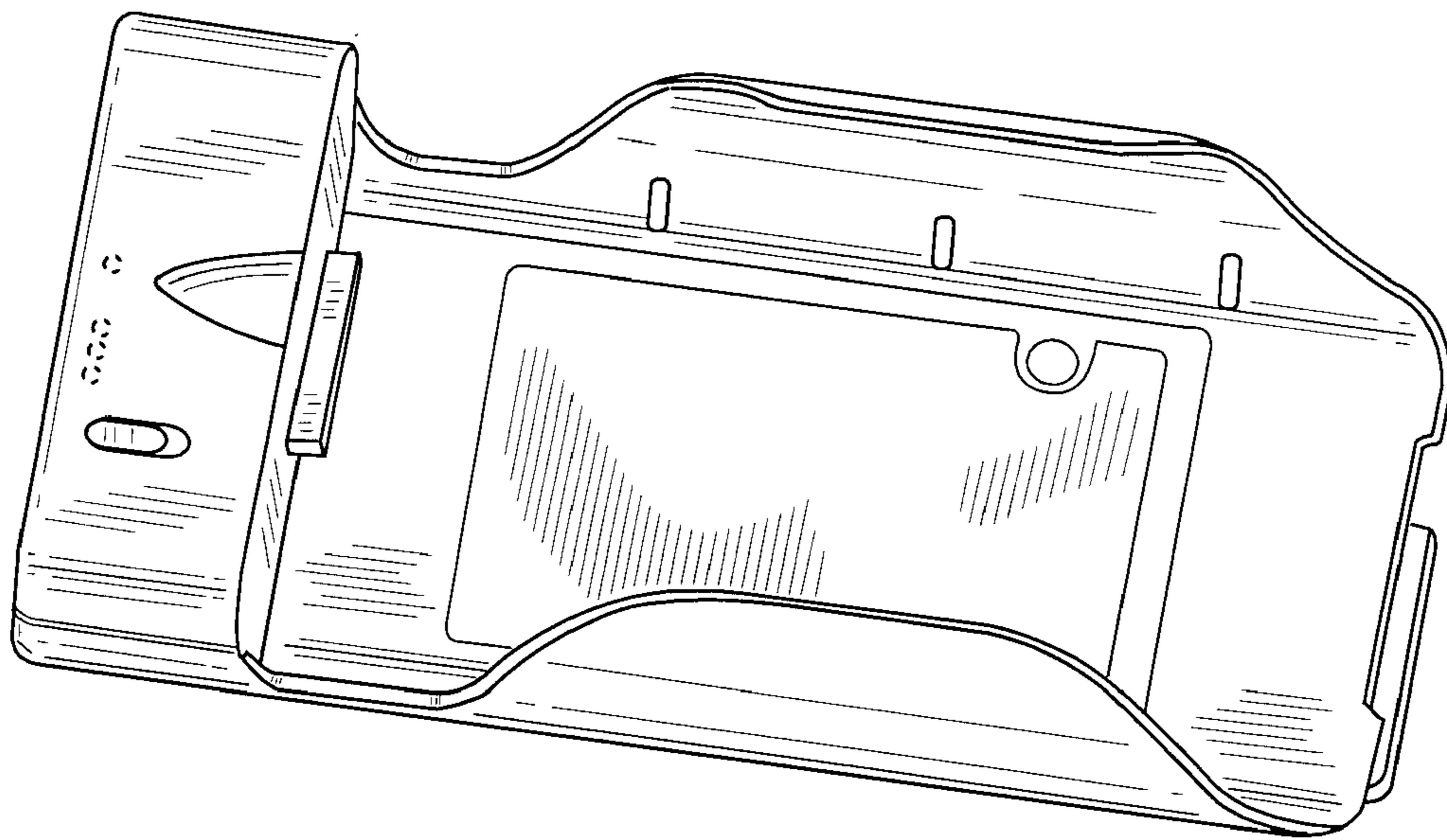


FIG. 1

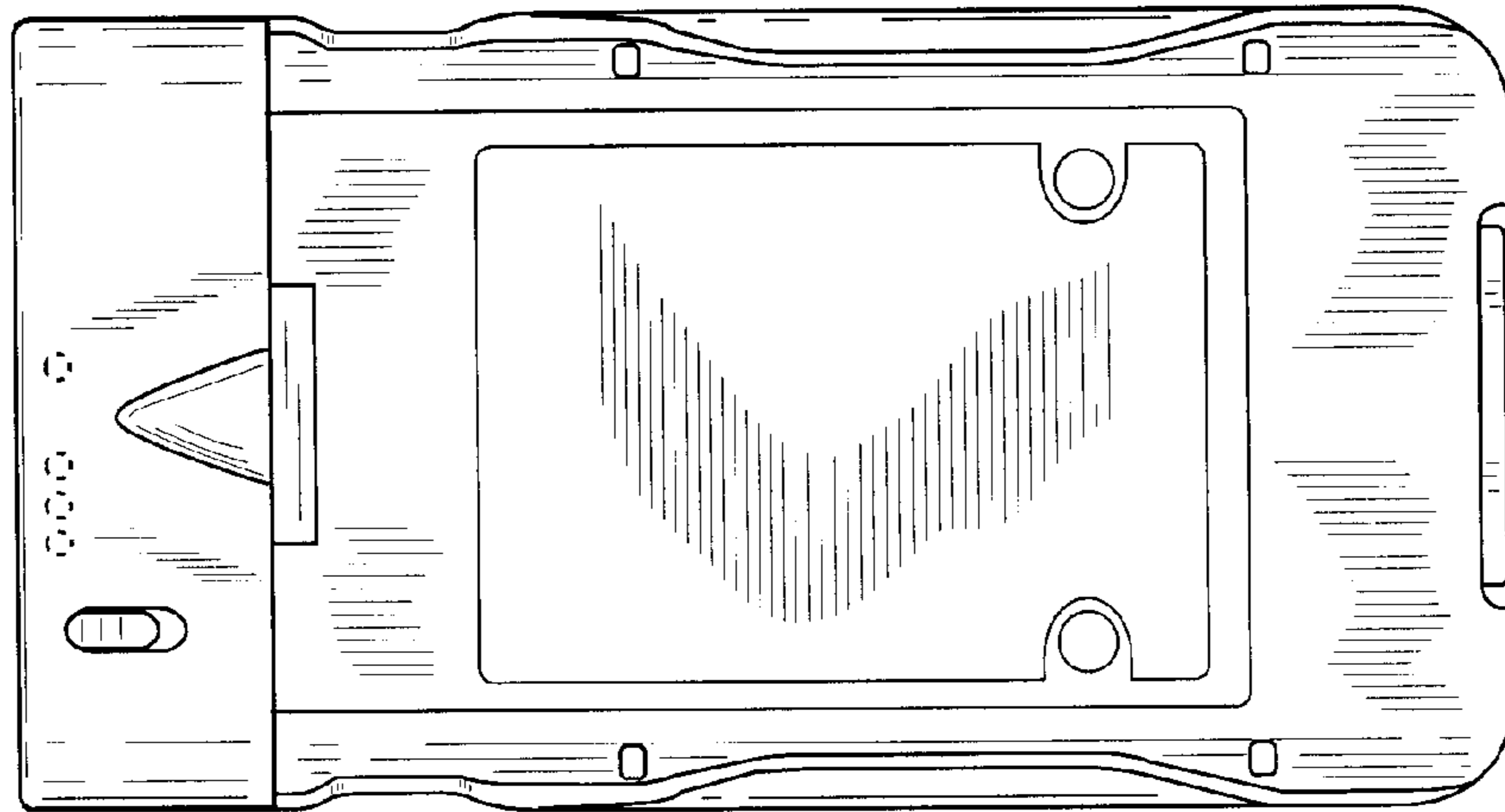


FIG. 2

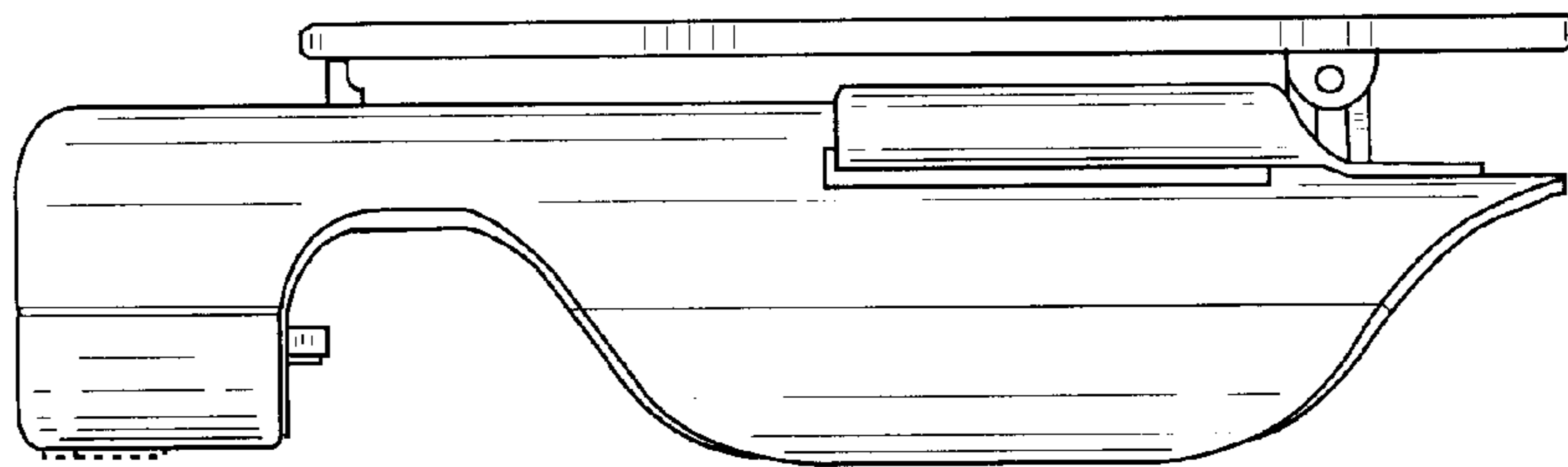


FIG. 3

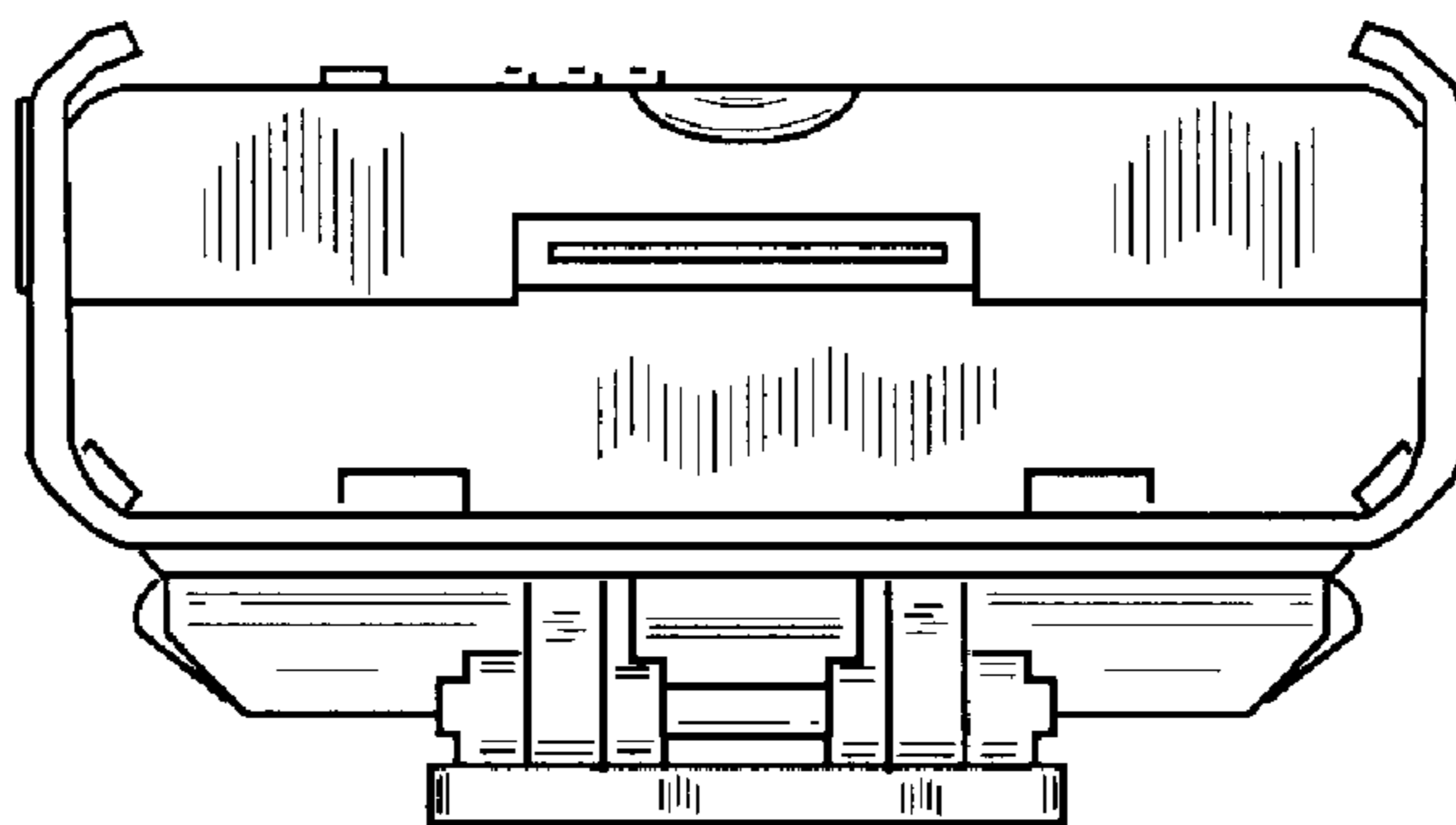


FIG. 4

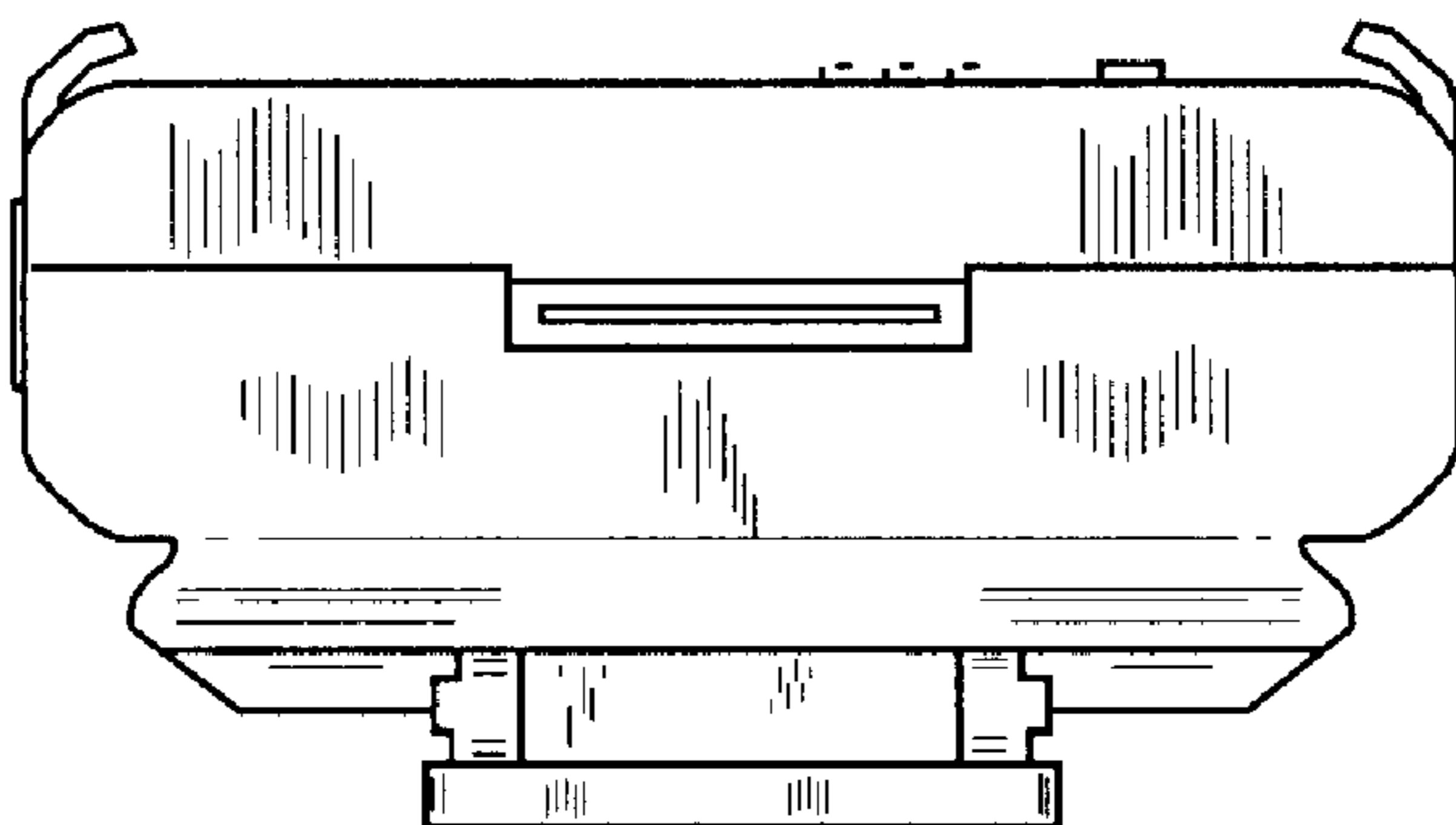


FIG. 5

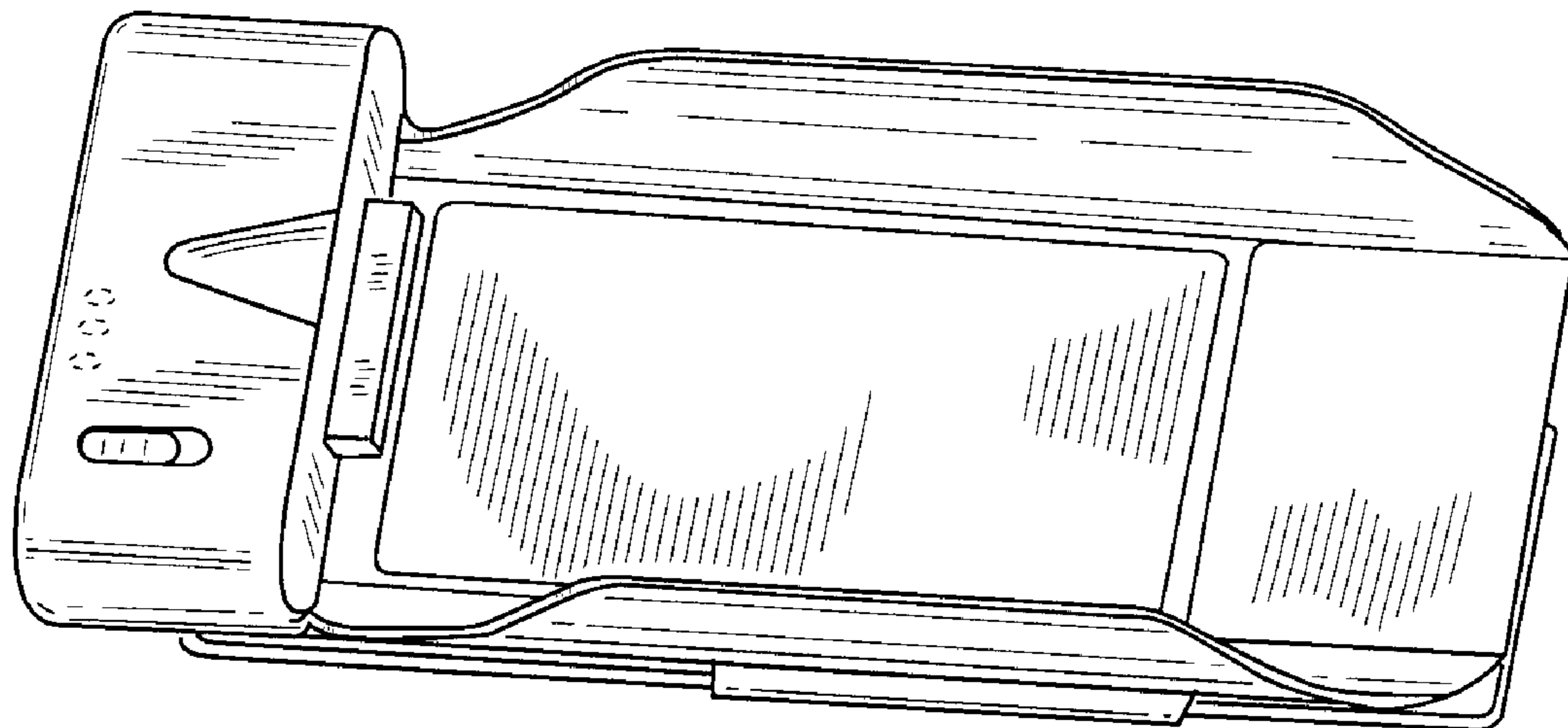


FIG. 6

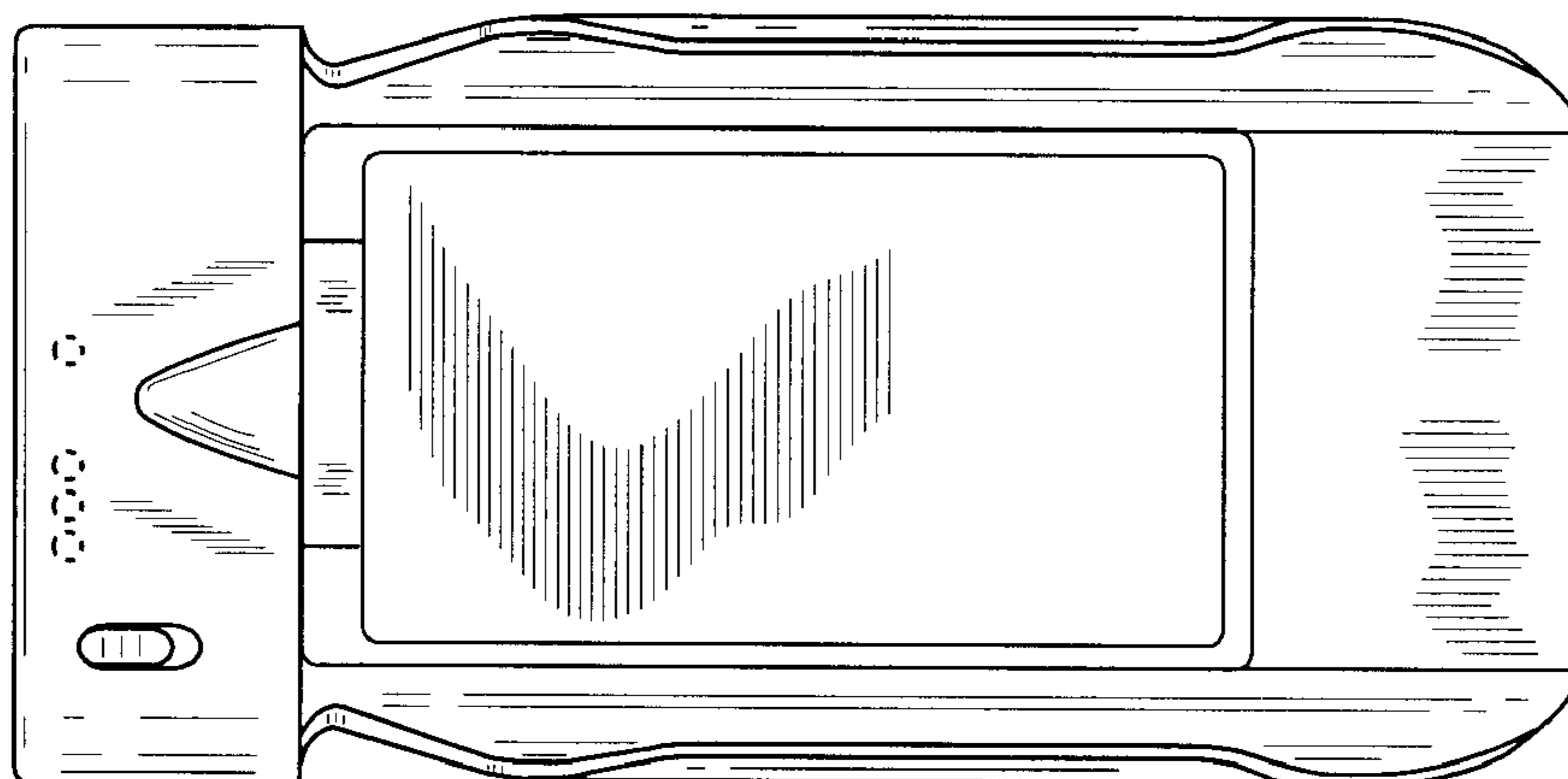


FIG. 7

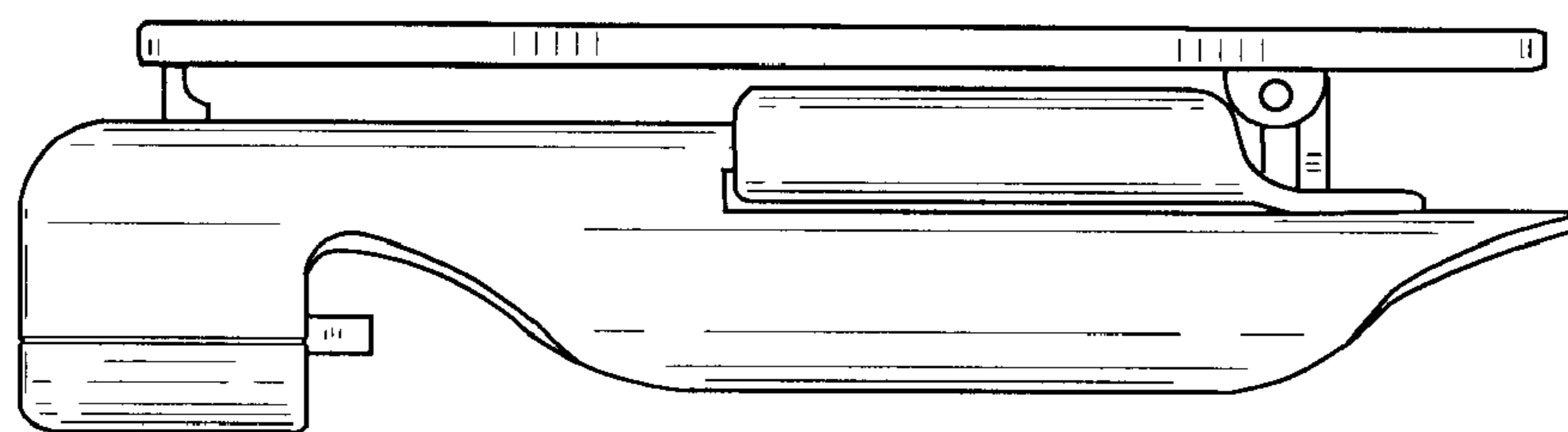


FIG. 8

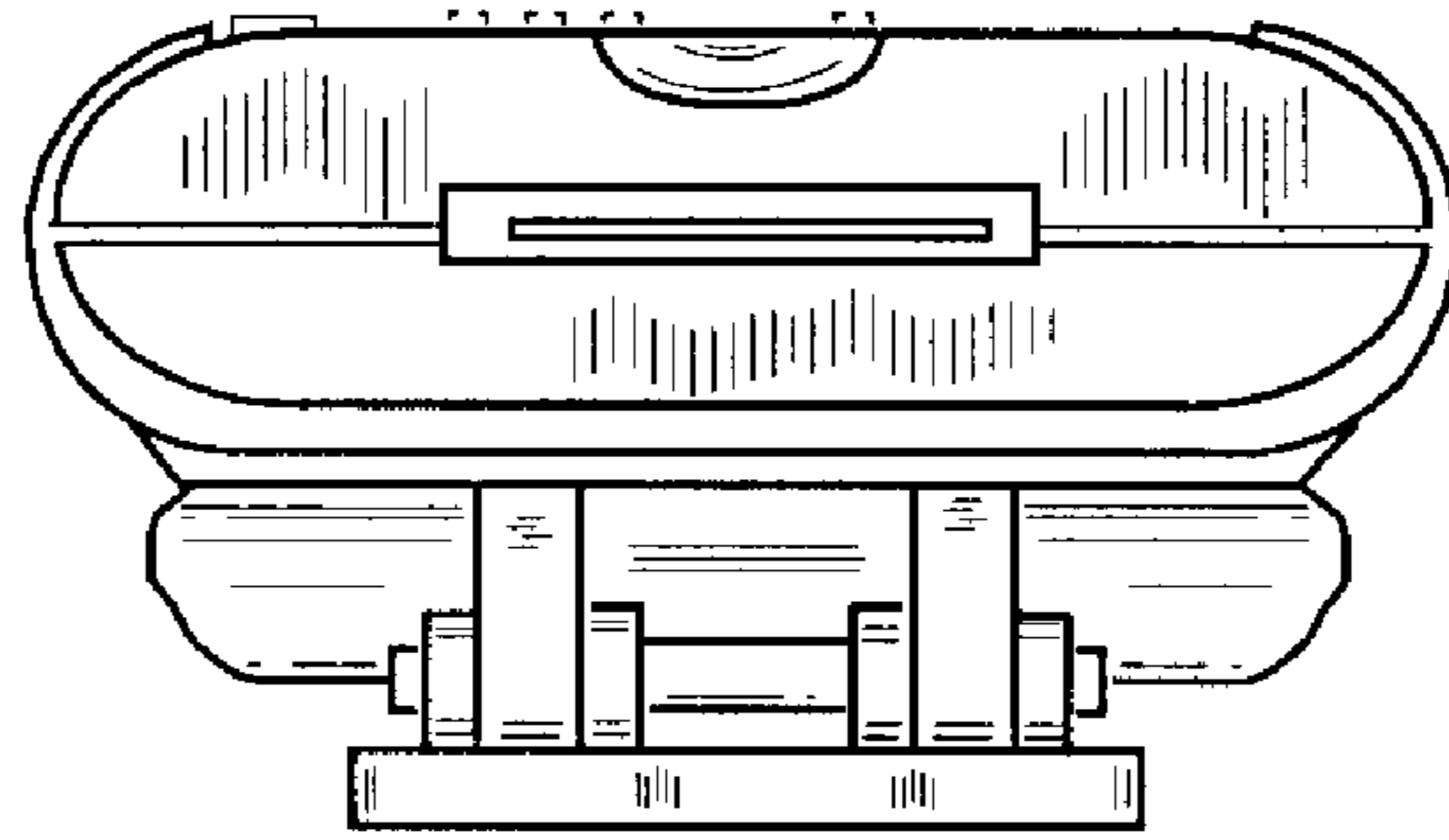


FIG. 9

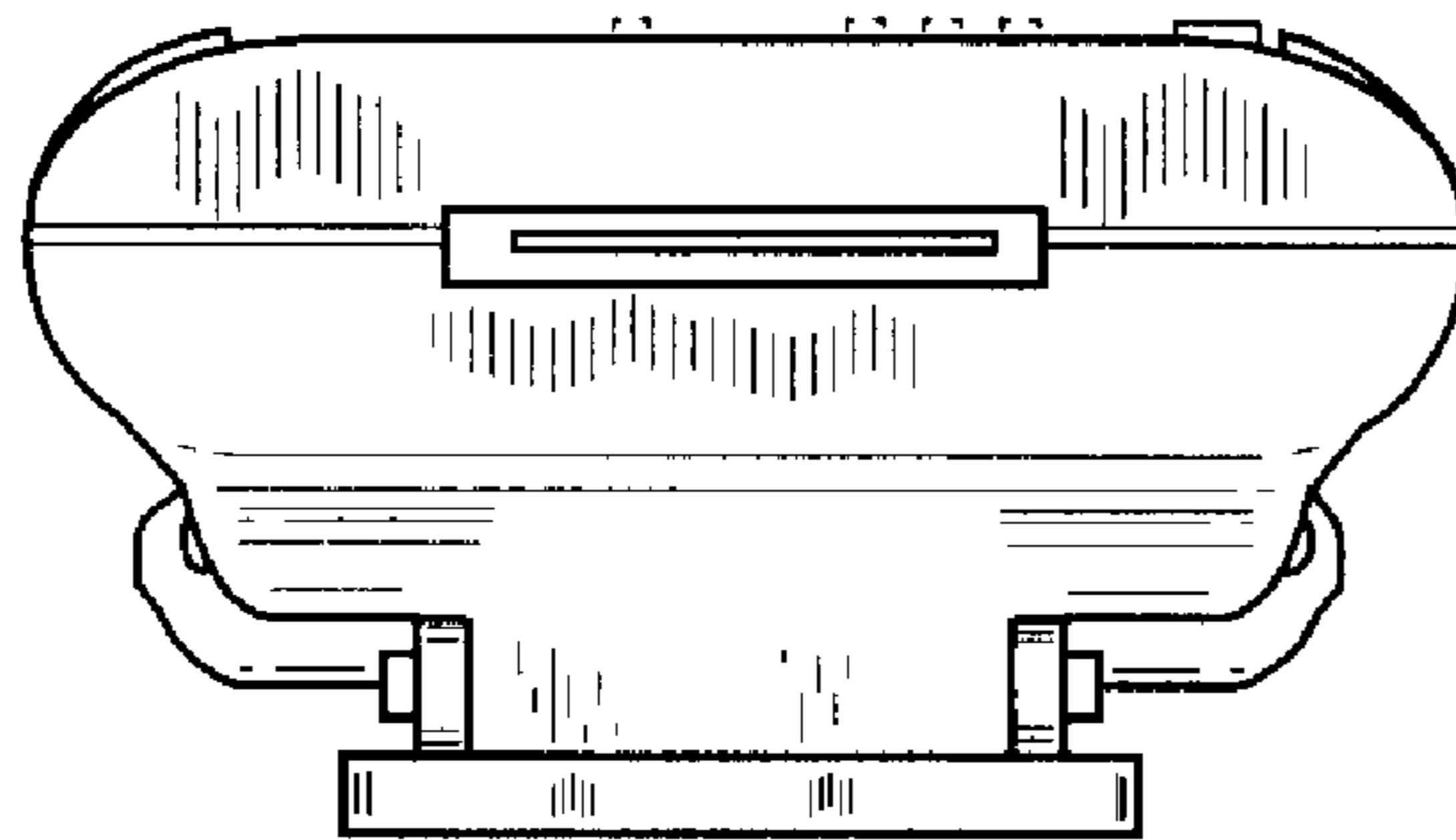


FIG. 10