



US00D535251S

(12) **United States Design Patent**
Kwong

(10) **Patent No.:** **US D535,251 S**

(45) **Date of Patent:** **** Jan. 16, 2007**

(54) **CHARGER**

(75) Inventor: **Sik Kuen Kwong**, Hong Kong (HK)

(73) Assignee: **Wellplus (HK) Company Ltd.**, Hong Kong (HK)

(**) Term: **14 Years**

(21) Appl. No.: **29/253,907**

(22) Filed: **Feb. 15, 2006**

(51) **LOC (8) Cl.** **13-02**

(52) **U.S. Cl.** **D13/107**

(58) **Field of Classification Search** D13/106-110,
D13/118-119, 184; 320/103-105, 107-115

See application file for complete search history.

(56) **References Cited**

U.S. PATENT DOCUMENTS

D386,148 S	*	11/1997	Katooka et al.	D13/110
D407,065 S	*	3/1999	Chang	D13/110
D444,125 S	*	6/2001	Shy	D13/110
D464,620 S	*	10/2002	Krieger et al.	D13/110
D464,935 S	*	10/2002	Krieger et al.	D13/110
D491,139 S	*	6/2004	Krieger et al.	D13/107

D495,993 S	*	9/2004	Krieger et al.	D13/107
D506,724 S	*	6/2005	Hriscu et al.	D13/107
D506,974 S	*	7/2005	Li	D13/107
D514,508 S	*	2/2006	Krieger et al.	D13/107
D519,448 S	*	4/2006	Leung	D13/107
D523,395 S	*	6/2006	Krieger et al.	D13/107
D527,340 S	*	8/2006	Christiani et al.	D13/107

* cited by examiner

Primary Examiner—Alan P. Douglas

Assistant Examiner—Rosemary K. Tarcza

(74) *Attorney, Agent, or Firm*—Rabin & Berdo, P.C.

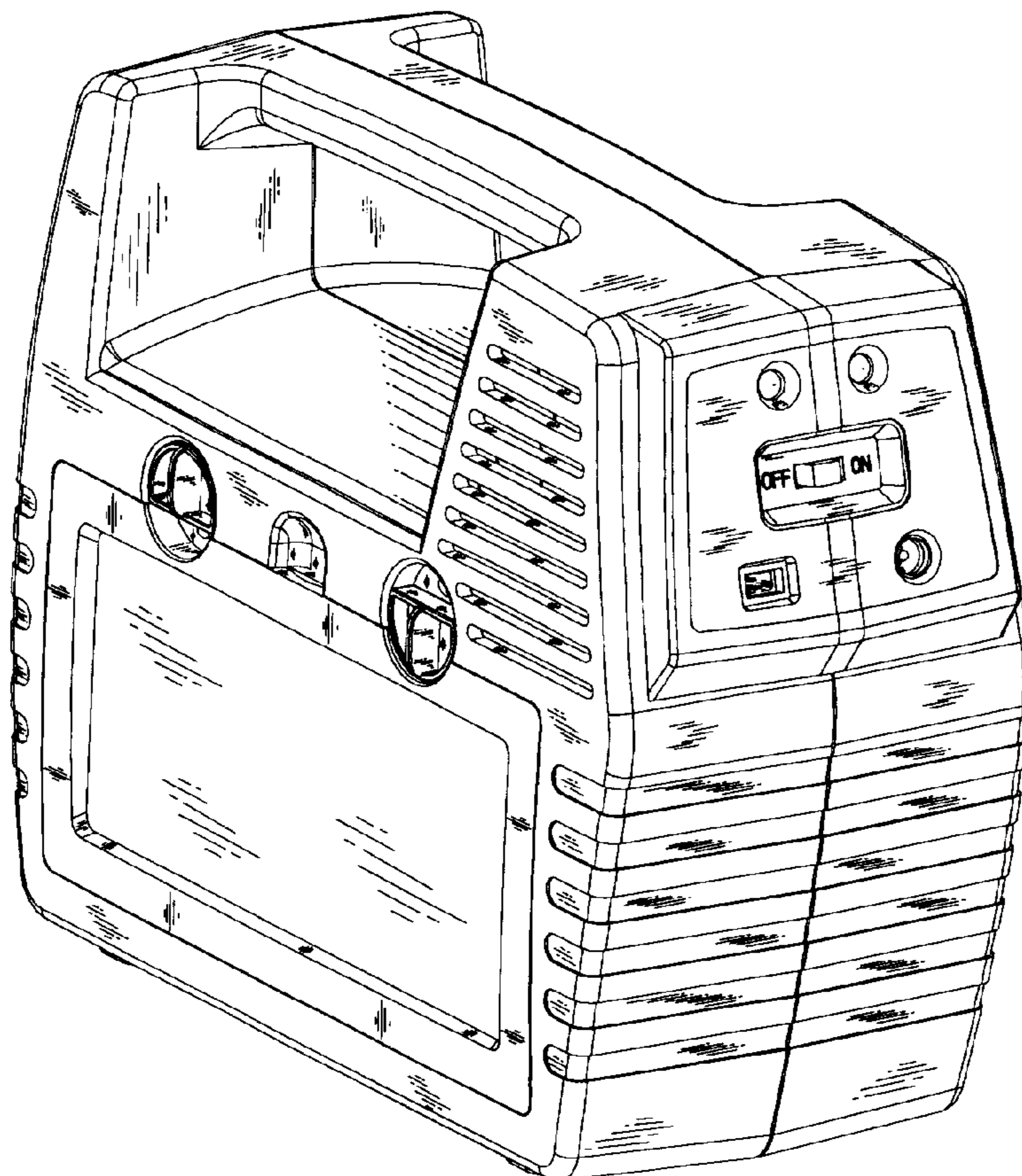
(57) **CLAIM**

The ornamental design for a charger, as shown and described.

DESCRIPTION

FIG. 1 is a front view of charger showing my new design; FIG. 2 is a rear view thereof; FIG. 3 is a left side view thereof; FIG. 4 is a right side view thereof; FIG. 5 is a top view thereof; FIG. 6 is a bottom view thereof; and, FIG. 7 is a perspective view thereof.

1 Claim, 4 Drawing Sheets



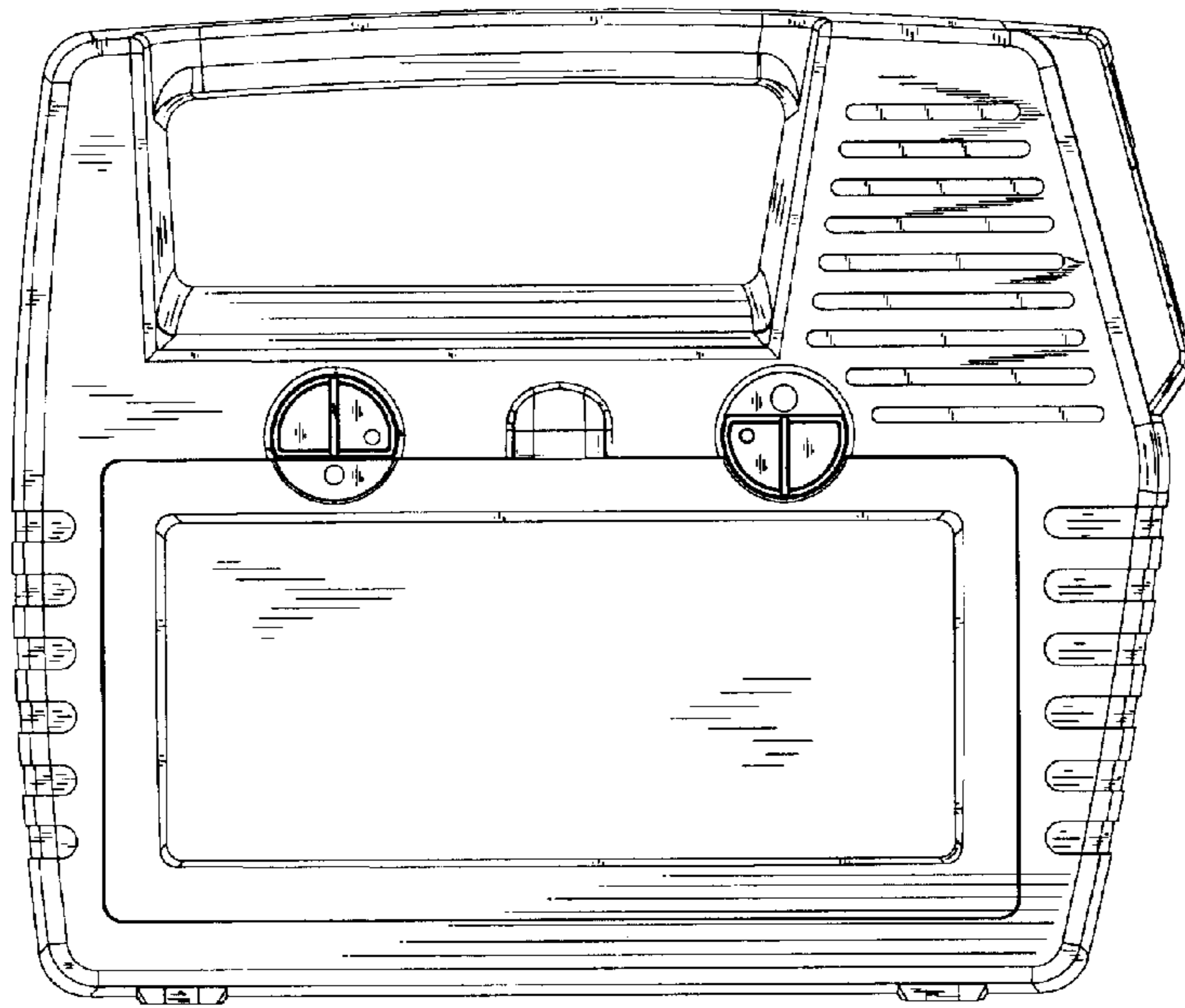


FIG. 1

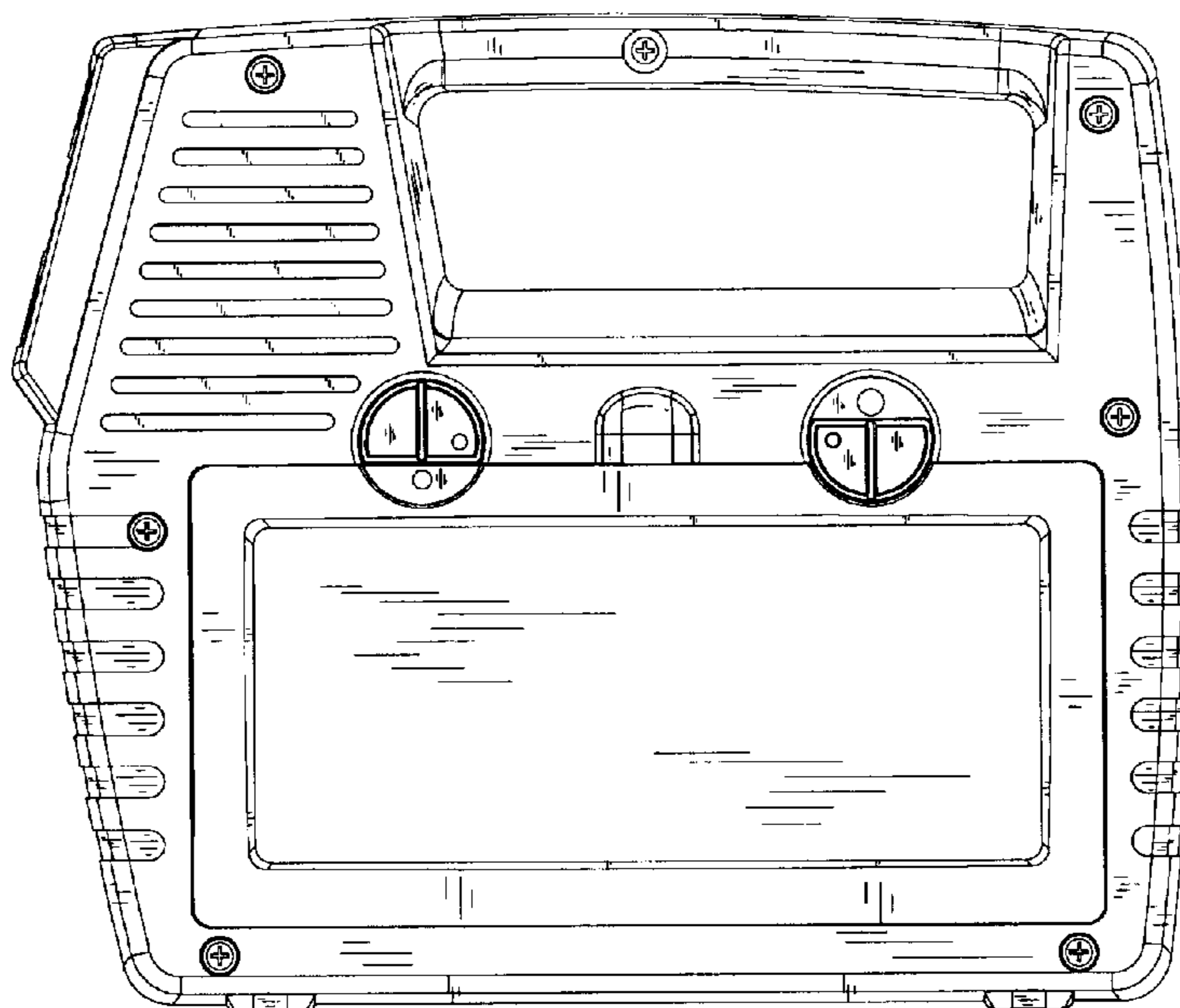


FIG. 2

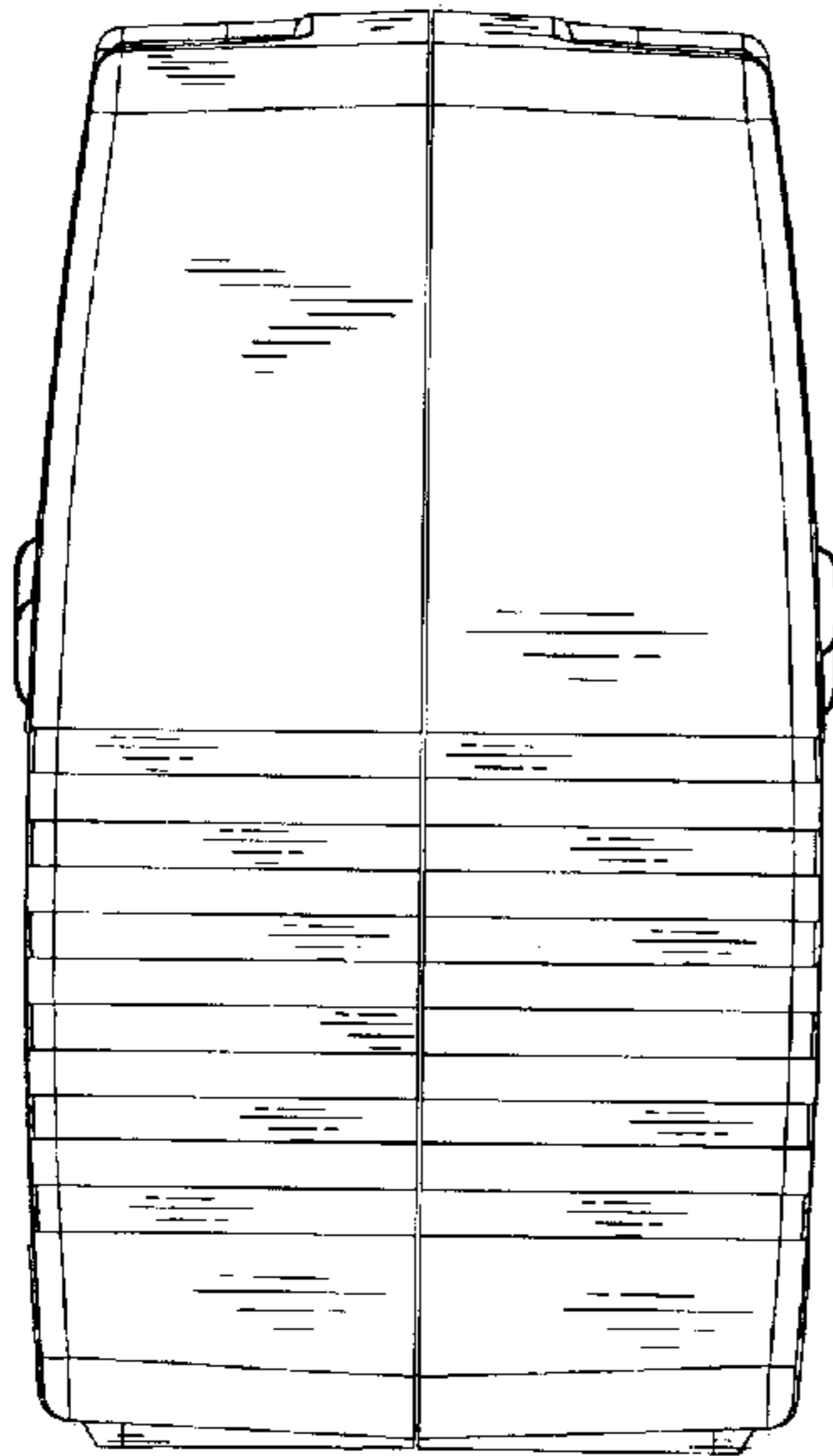


FIG. 3

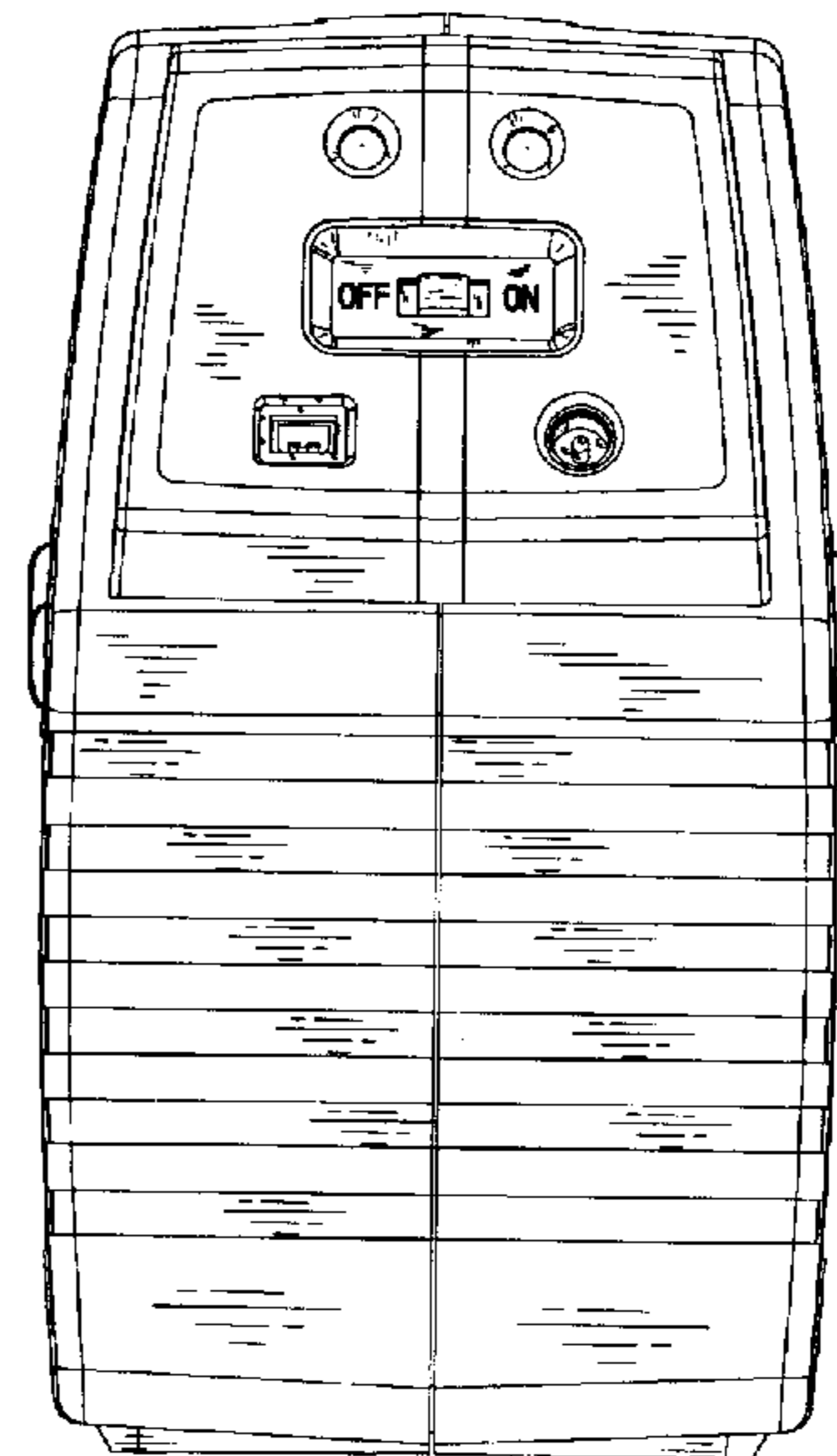


FIG. 4

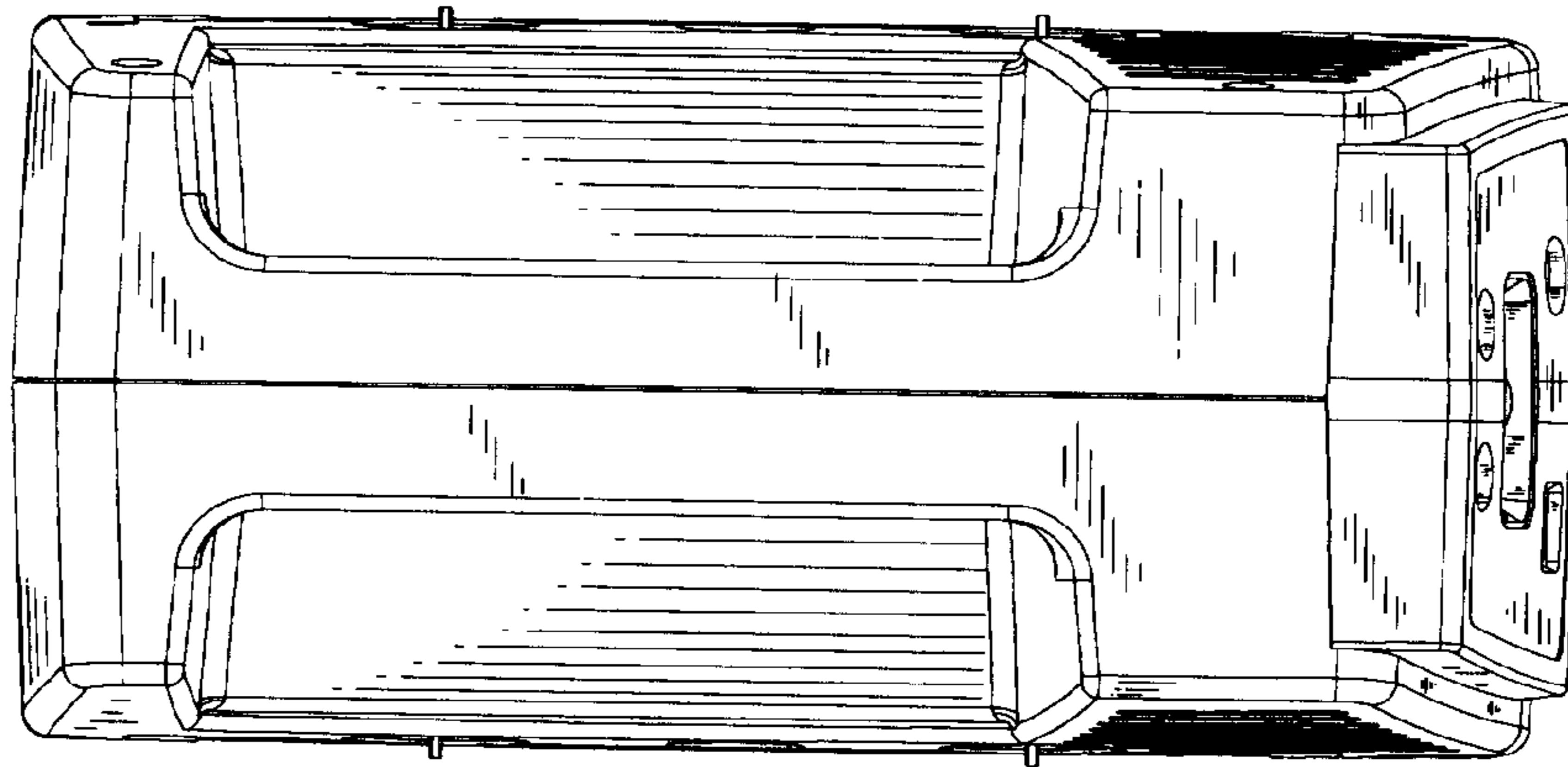


FIG. 5

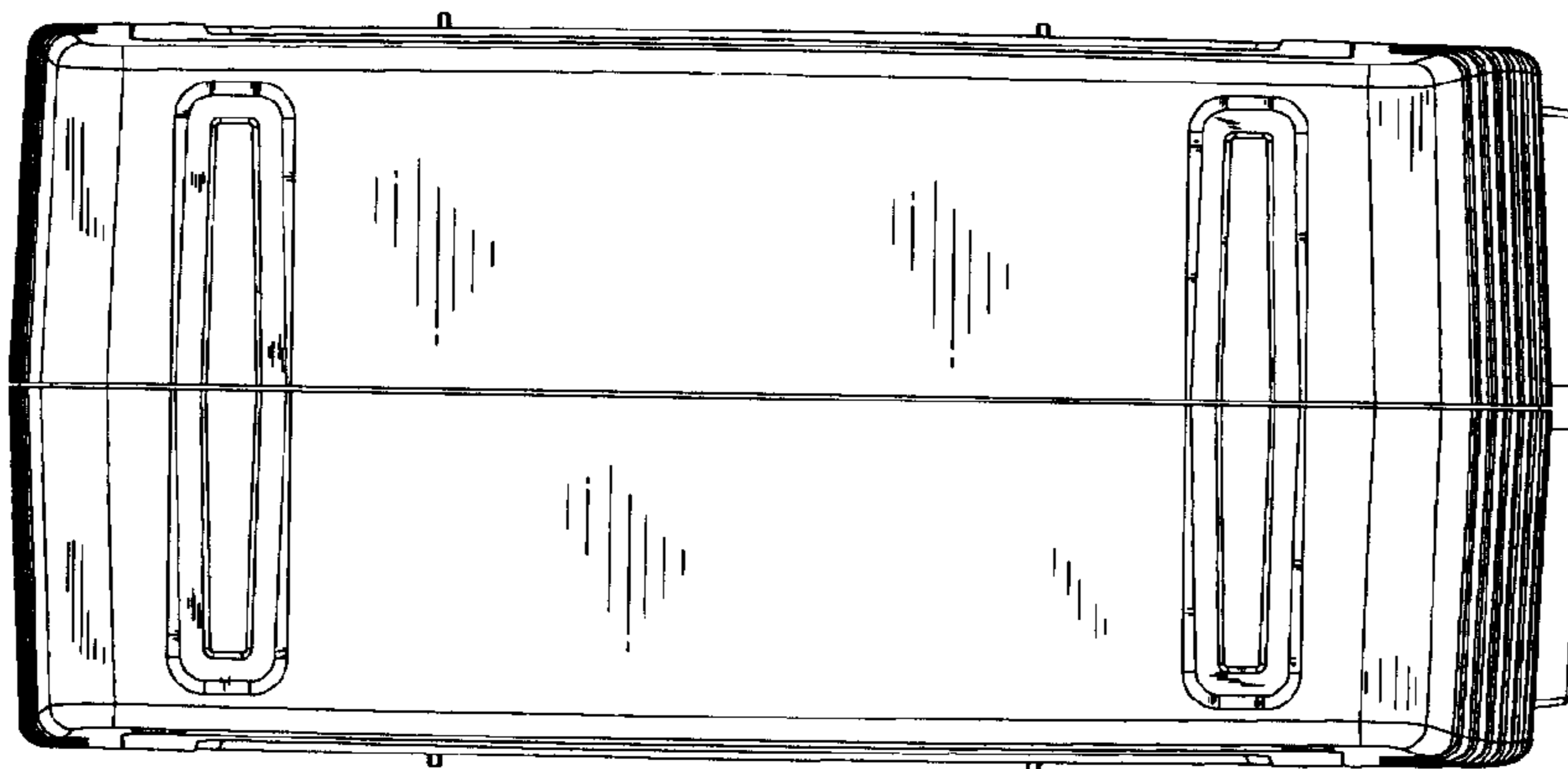


FIG. 6

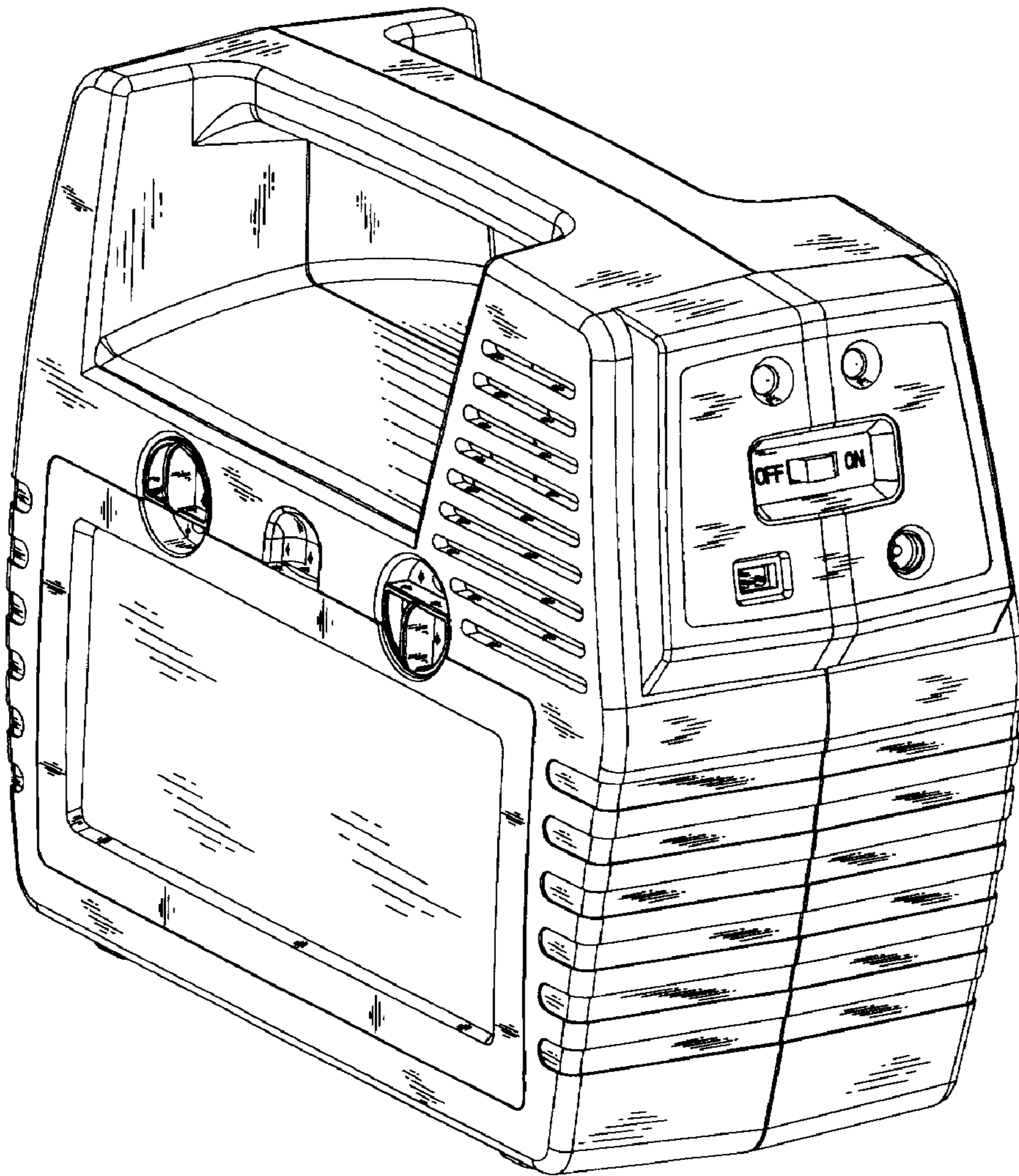


FIG. 7