

US00D535250S

(12) **United States Design Patent**
Watson

(10) **Patent No.:** **US D535,250 S**
(45) **Date of Patent:** **** Jan. 16, 2007**

(54) **BATTERY PACK**

(75) Inventor: **James B. Watson**, Fallston, MD (US)

(73) Assignee: **Black & Decker Inc.**, Newark, DE (US)

(**) Term: **14 Years**

(21) Appl. No.: **29/256,117**

(22) Filed: **Mar. 16, 2006**

Related U.S. Application Data

(63) Continuation of application No. 29/229,916, filed on May 13, 2005.

(51) **LOC (8) Cl.** **13-02**

(52) **U.S. Cl.** **D13/103**

(58) **Field of Classification Search** D13/102-106,
D13/110, 118-119, 184; 429/96-100, 163,
429/176

See application file for complete search history.

(56) **References Cited**

U.S. PATENT DOCUMENTS

D436,917 S	*	1/2001	Hayakawa et al.	D13/103
D456,002 S	*	4/2002	Kato et al.	D13/103
6,566,005 B1	*	5/2003	Shimma et al.	429/148
D475,679 S	*	6/2003	Cooper et al.	D13/103
D477,811 S	*	7/2003	Niwa et al.	D13/103

D481,672 S	*	11/2003	Niwa et al.	D13/103
D483,012 S	*	12/2003	Hsu	D13/103
D484,458 S	*	12/2003	Garvis et al.	D13/103
D511,744 S	*	11/2005	Hsu et al.	D13/108
D512,373 S	*	12/2005	Tsai et al.	D13/108
D512,961 S	*	12/2005	Okuda et al.	D13/103
2003/0039880 A1	*	2/2003	Turner et al.	429/97
2004/0106036 A1	*	6/2004	Geis et al.	429/99

* cited by examiner

Primary Examiner—Alan P. Douglas

Assistant Examiner—Rosemary K. Tarcza

(74) *Attorney, Agent, or Firm*—Adan Ayala

(57) **CLAIM**

The ornamental design for a battery pack, as shown and described.

DESCRIPTION

FIG. 1 is a perspective view of a battery pack according to the invention.

FIG. 2 is a front elevational view thereof.

FIG. 3 is a rear elevational view thereof.

FIG. 4 is a left elevational view thereof.

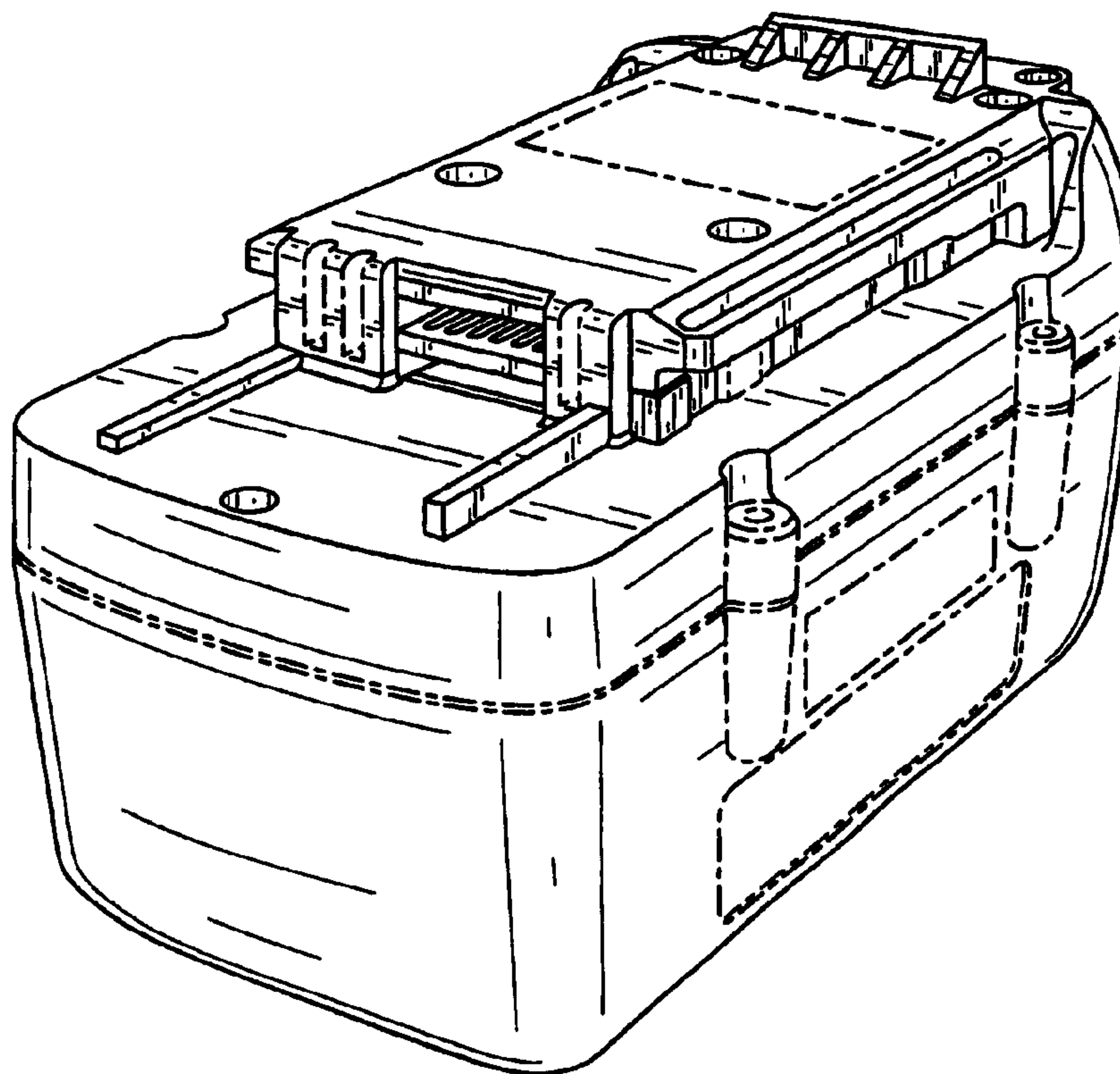
FIG. 5 is a right elevational view thereof.

FIG. 6 is a top plan view thereof; and,

FIG. 7 is a bottom plan view thereof.

In the above drawings, any broken line illustration is not part of the design sought to be patented.

1 Claim, 7 Drawing Sheets



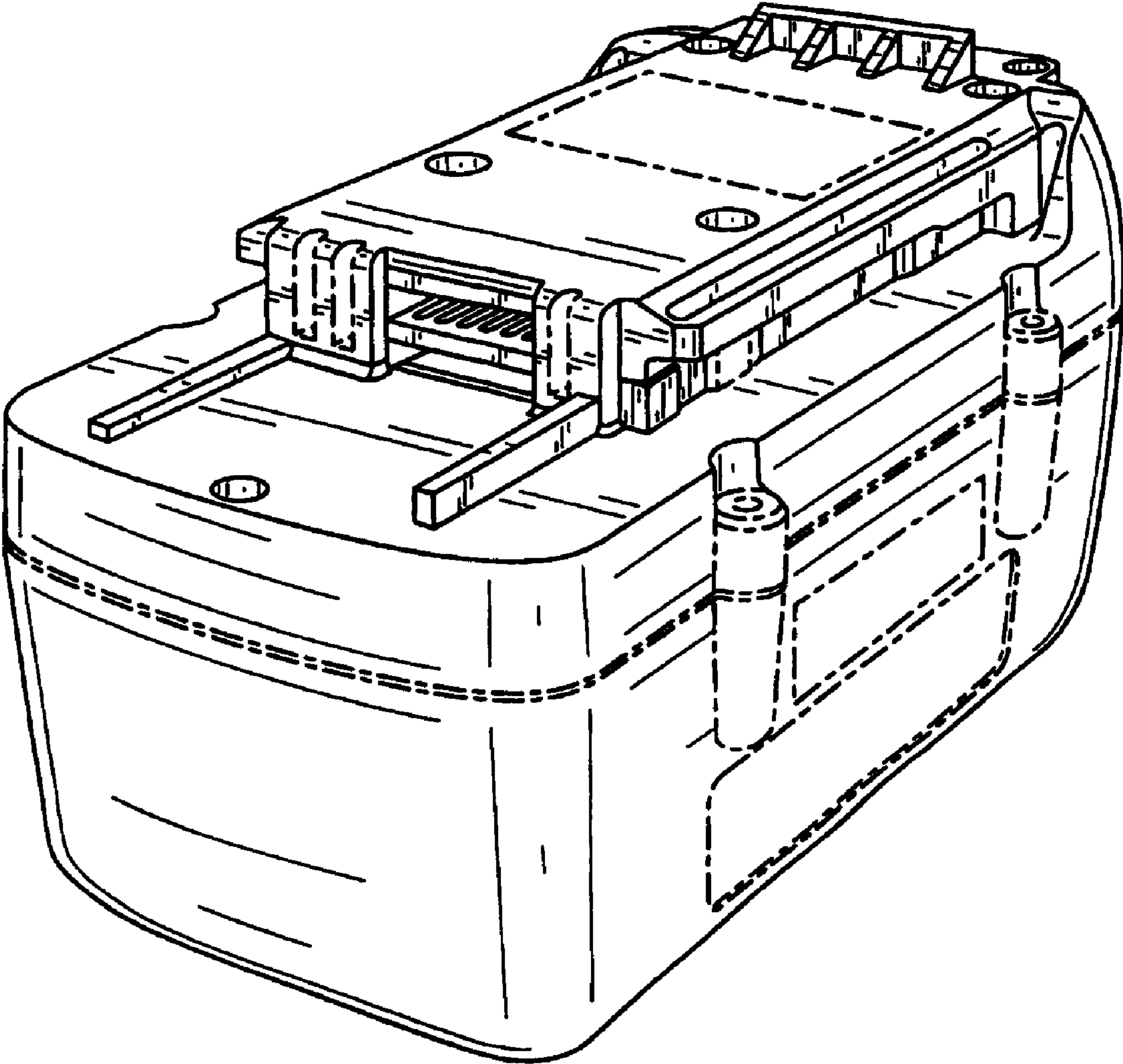


FIG. 1

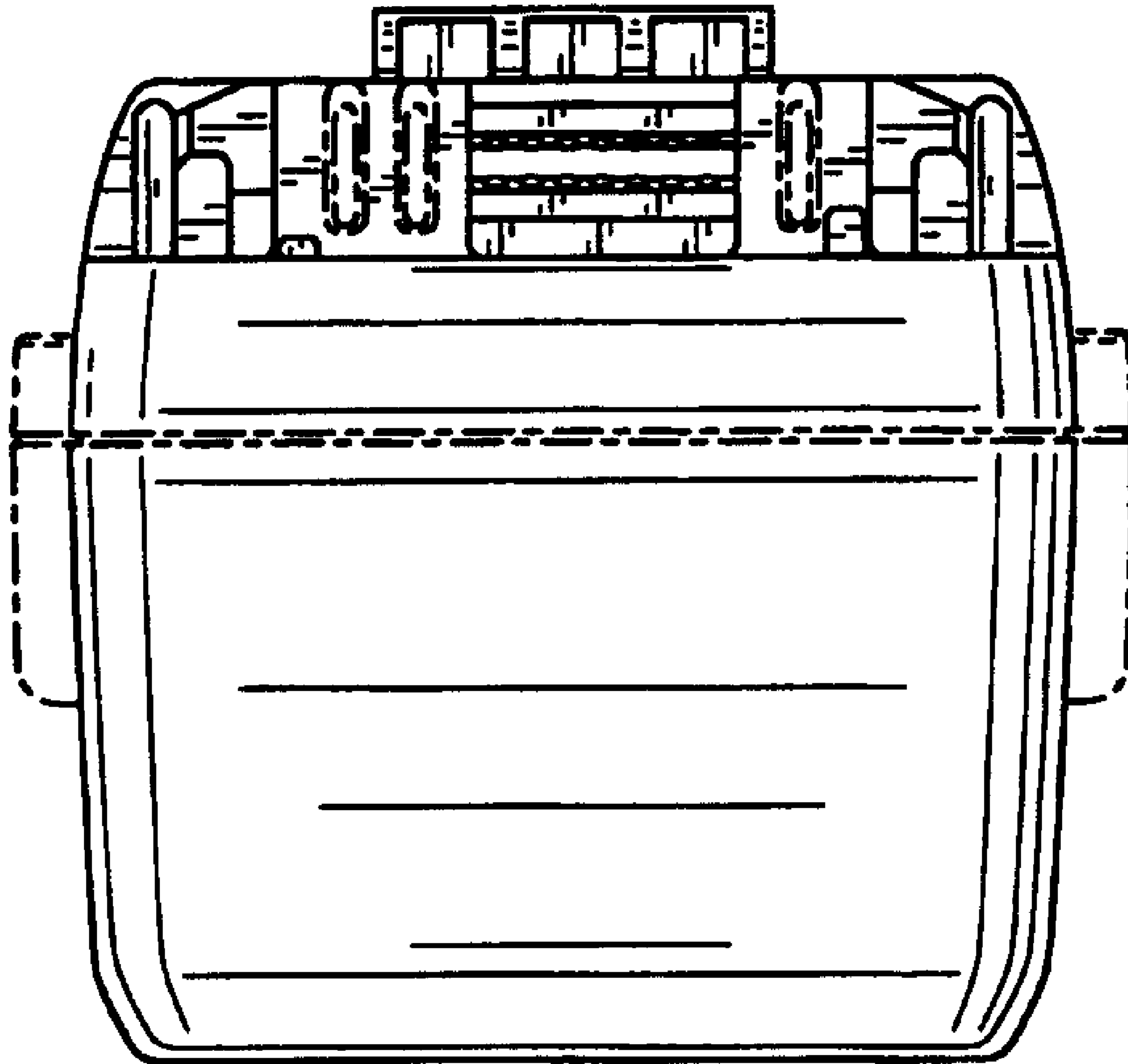


FIG. 2

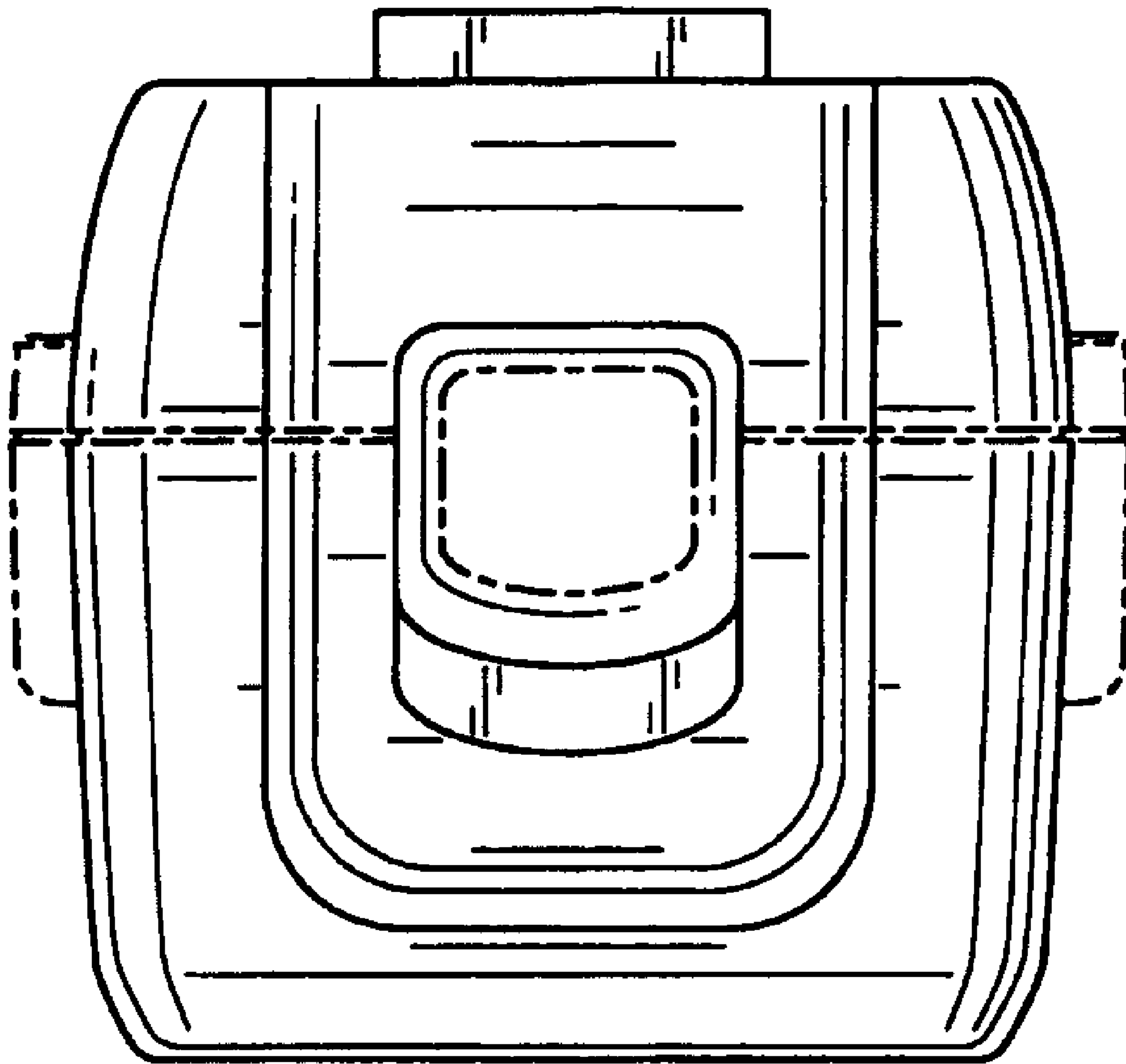


FIG. 3

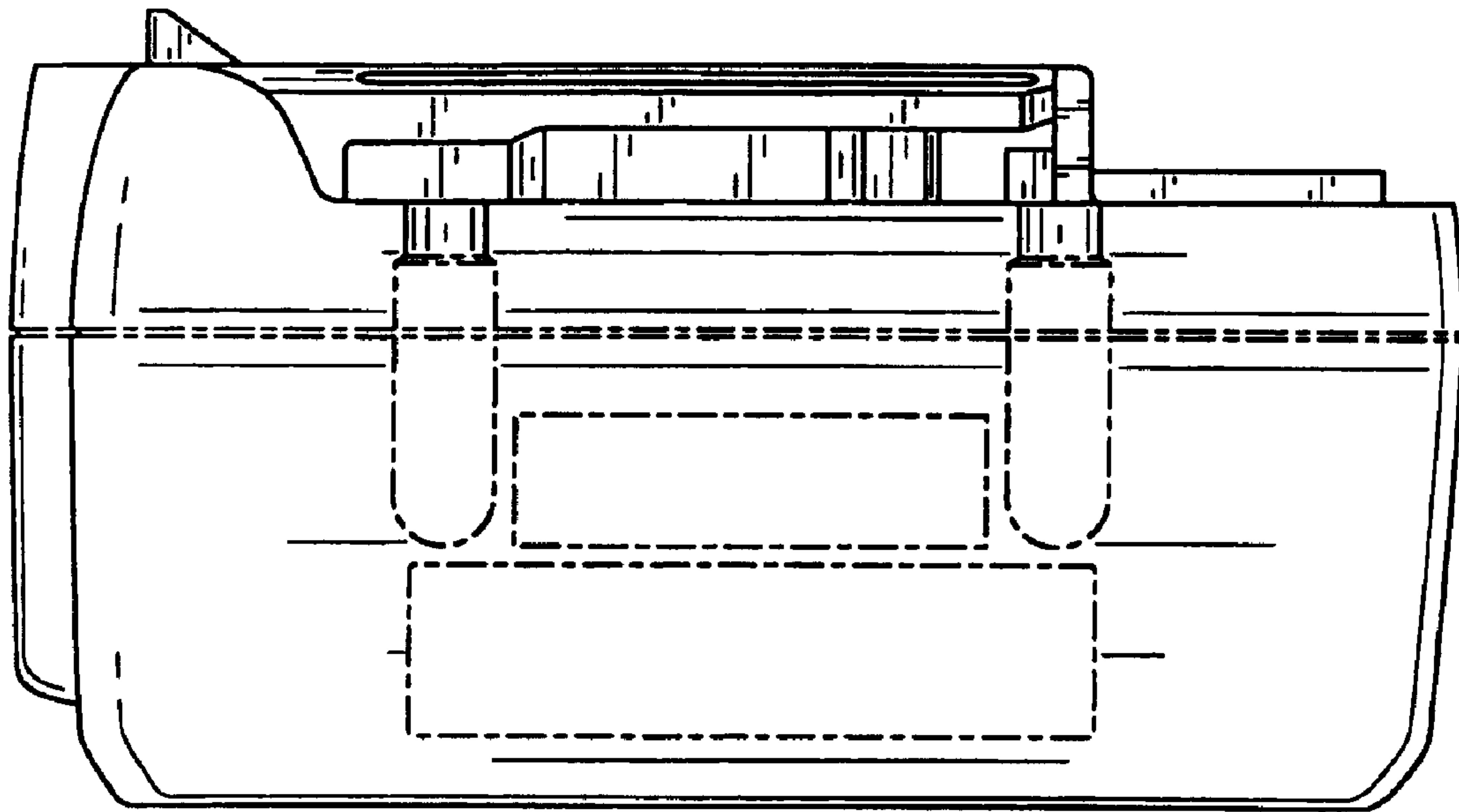


FIG. 4

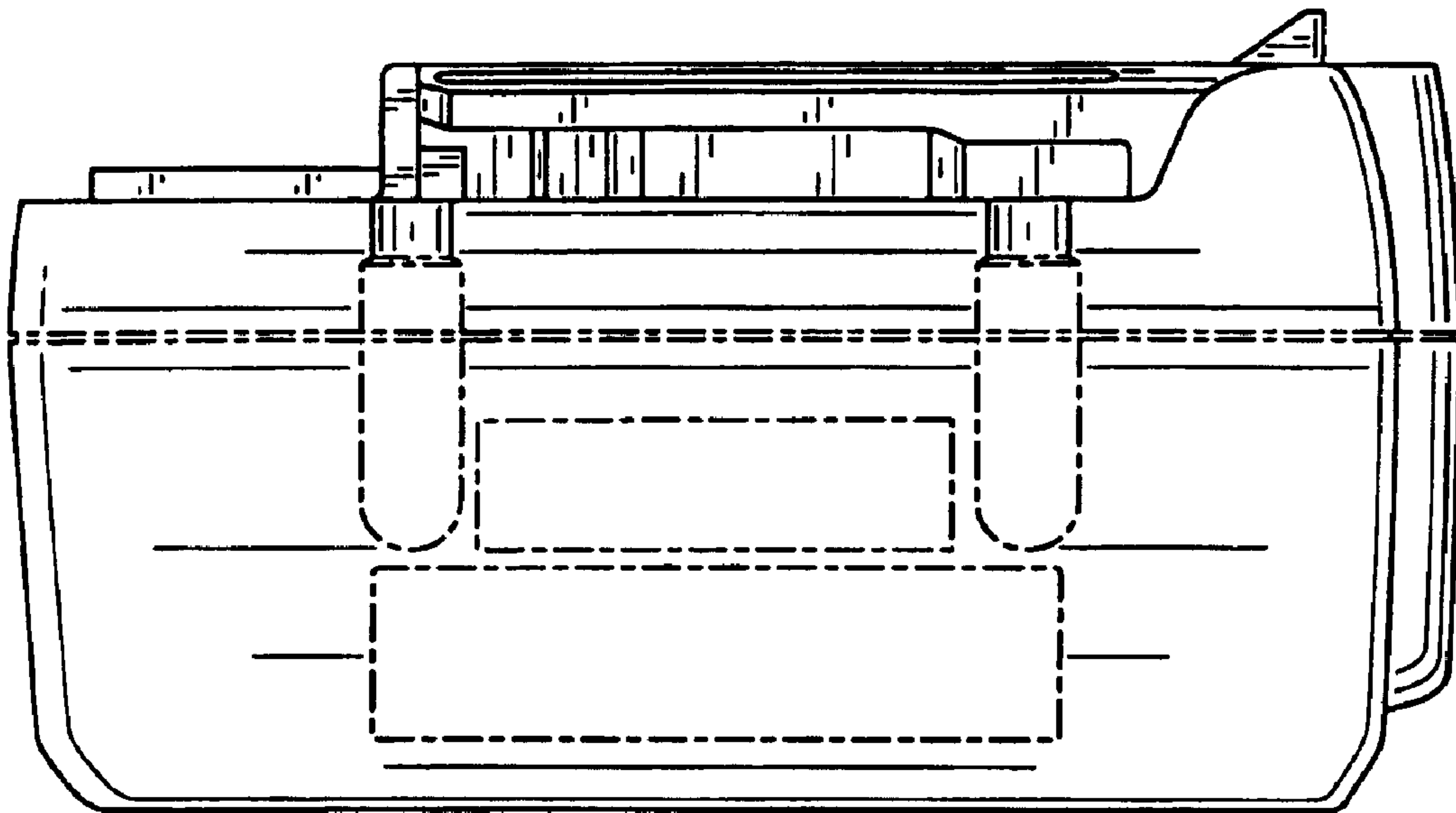


FIG. 5

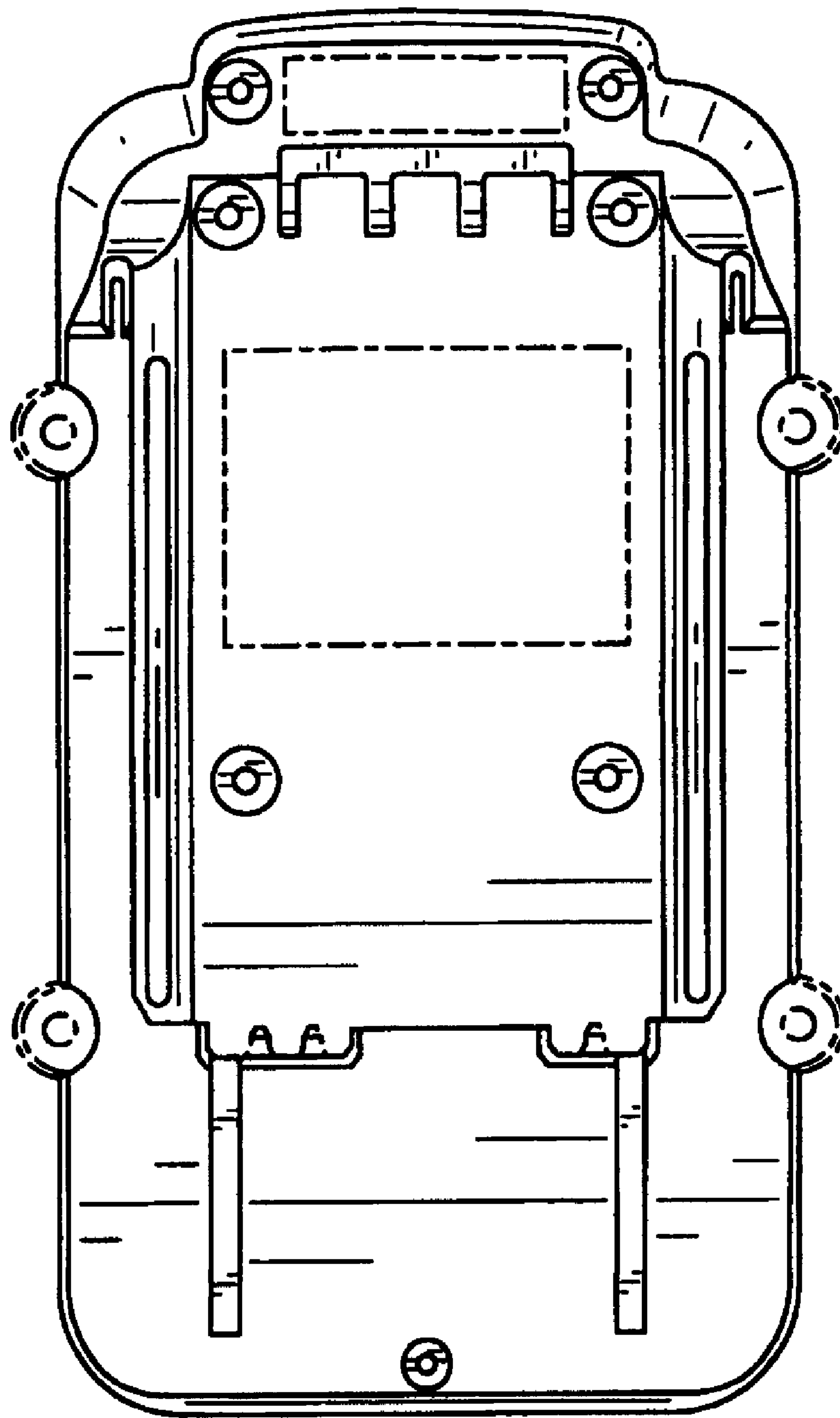


FIG. 6

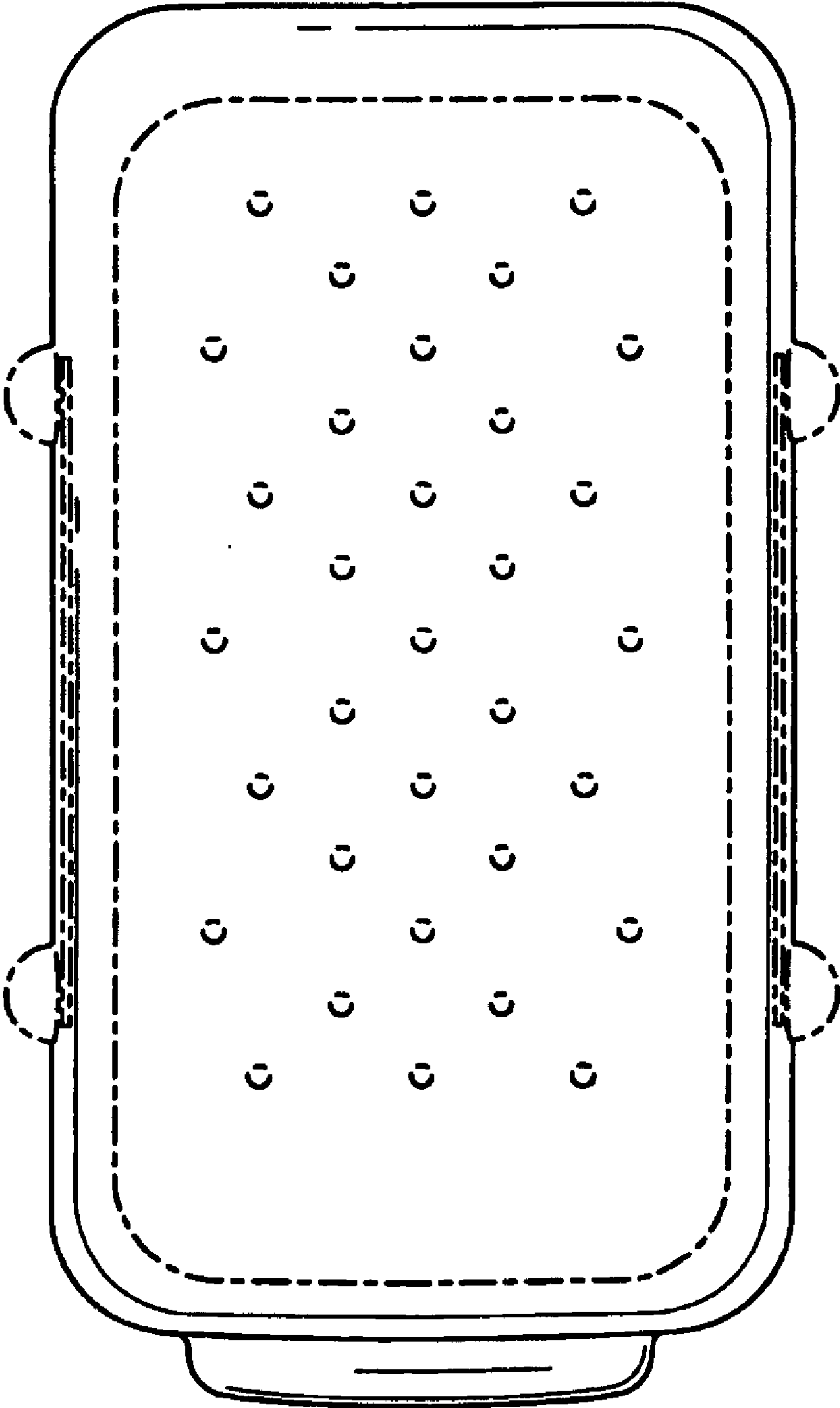


FIG. 7