



US00D535249S

(12) **United States Design Patent**
Ogasawara

(10) **Patent No.:** **US D535,249 S**

(45) **Date of Patent:** **** Jan. 16, 2007**

(54) **BATTERY**

(75) Inventor: **Shinichi Ogasawara**, Tokyo (JP)

(73) Assignee: **Sony Corporation**, Tokyo (JP)

(**) Term: **14 Years**

(21) Appl. No.: **29/245,477**

(22) Filed: **Dec. 27, 2005**

(30) **Foreign Application Priority Data**

Jun. 24, 2005 (JP) 2005-018475

(51) **LOC (8) Cl.** **13-02**

(52) **U.S. Cl.** **D13/103**

(58) **Field of Classification Search** D13/102-106,
D13/110, 118-119, 184; 429/96-100, 163,
429/176

See application file for complete search history.

(56) **References Cited**

U.S. PATENT DOCUMENTS

D415,466 S	*	10/1999	Kawa	D13/103
D431,227 S	*	9/2000	Ogasawara	D13/103
D431,808 S	*	10/2000	Ogasawara	D13/103
D448,003 S	*	9/2001	Ogasawara	D13/103
D457,857 S	*	5/2002	Ogasawara	D13/103
D476,949 S	*	7/2003	Wada	D13/103
D477,275 S	*	7/2003	Wada	D13/103
D515,025 S	*	2/2006	Yokota	D13/103

D517,475 S	*	3/2006	Yokota	D13/103
D519,919 S	*	5/2006	Yokota	D13/103
D520,942 S	*	5/2006	Yokota	D13/103
D521,448 S	*	5/2006	Yokota	D13/103
D521,449 S	*	5/2006	Yokota	D13/103

OTHER PUBLICATIONS

U.S. Appl. No. 29/245,476, filed Dec. 27, 2005, Ogasawara.

U.S. Appl. No. 29/245,477, filed Dec. 27, 2005, Ogasawara.

* cited by examiner

Primary Examiner—Alan P. Douglas

Assistant Examiner—Rosemary K. Tarcza

(74) *Attorney, Agent, or Firm*—Oblon, Spivak, McClelland,
Maier & Neustadt, P.C.

(57) **CLAIM**

The ornamental design for a battery, as shown and described.

DESCRIPTION

FIG. 1 is a top and right front perspective view of a battery, showing my design;

FIG. 2 is a front elevational view thereof;

FIG. 3 is a rear elevational view thereof;

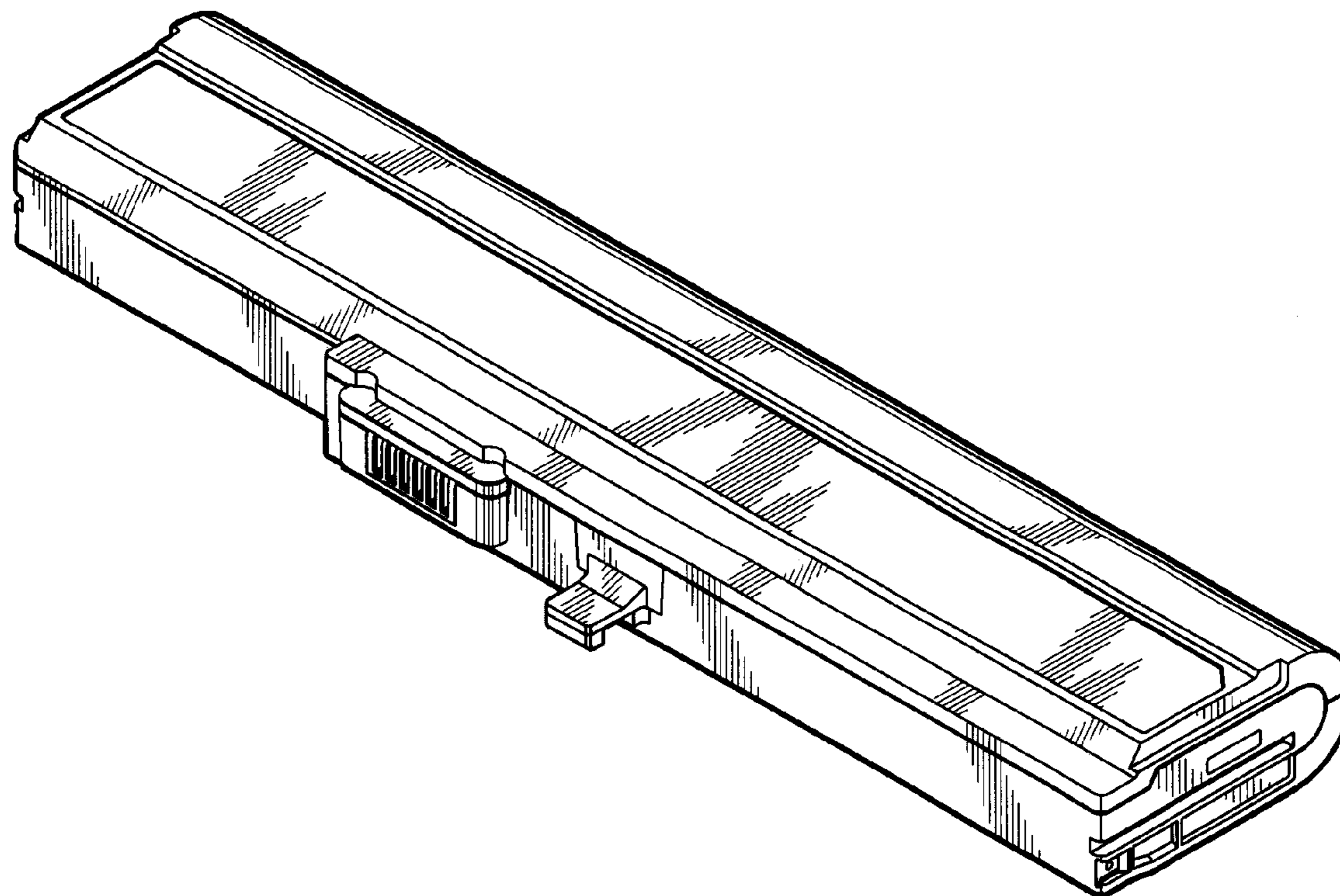
FIG. 4 is a left side elevational view thereof;

FIG. 5 is a right side elevational view thereof;

FIG. 6 is a top plan view thereof; and,

FIG. 7 is a bottom plan view thereof.

1 Claim, 4 Drawing Sheets



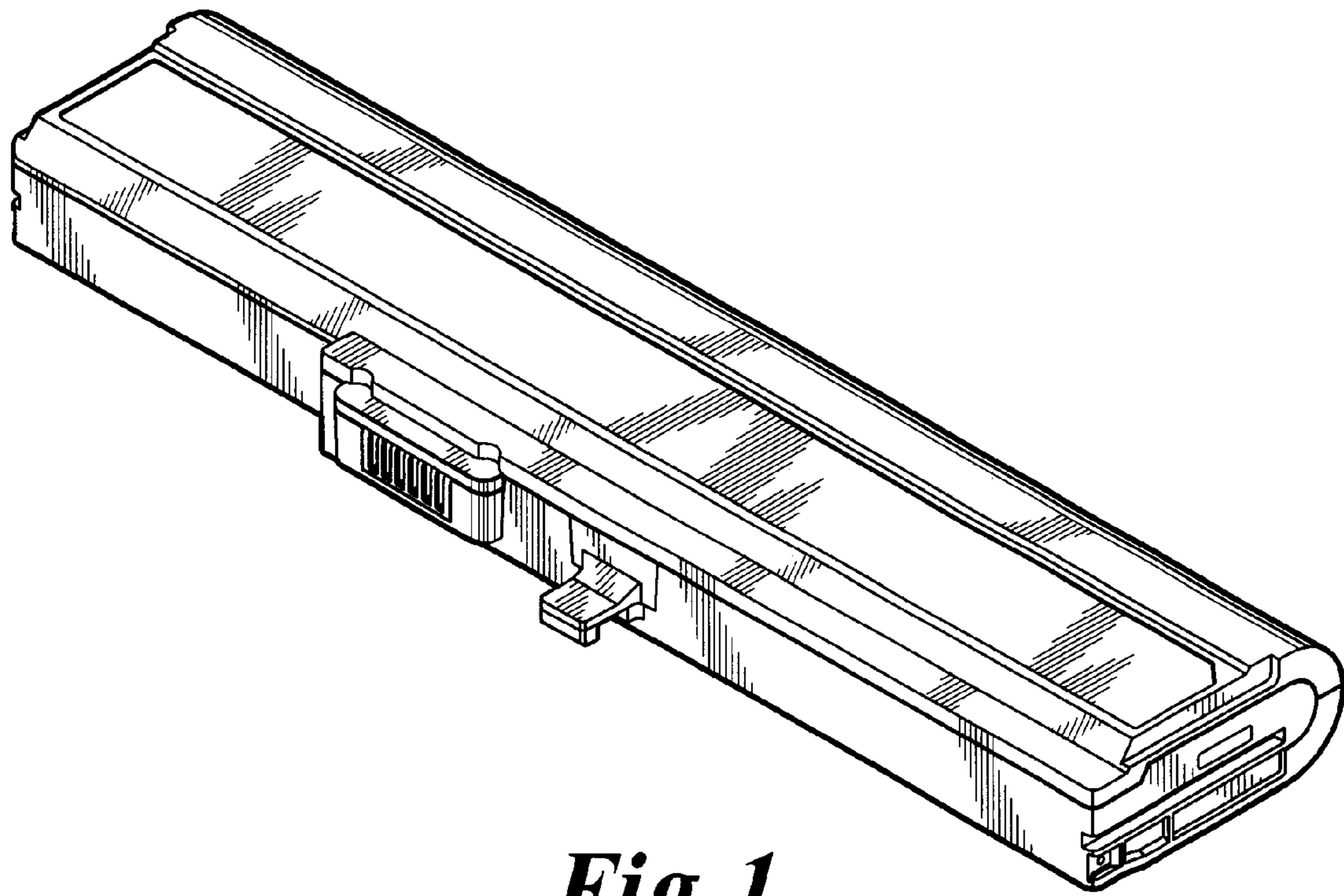


Fig. 1

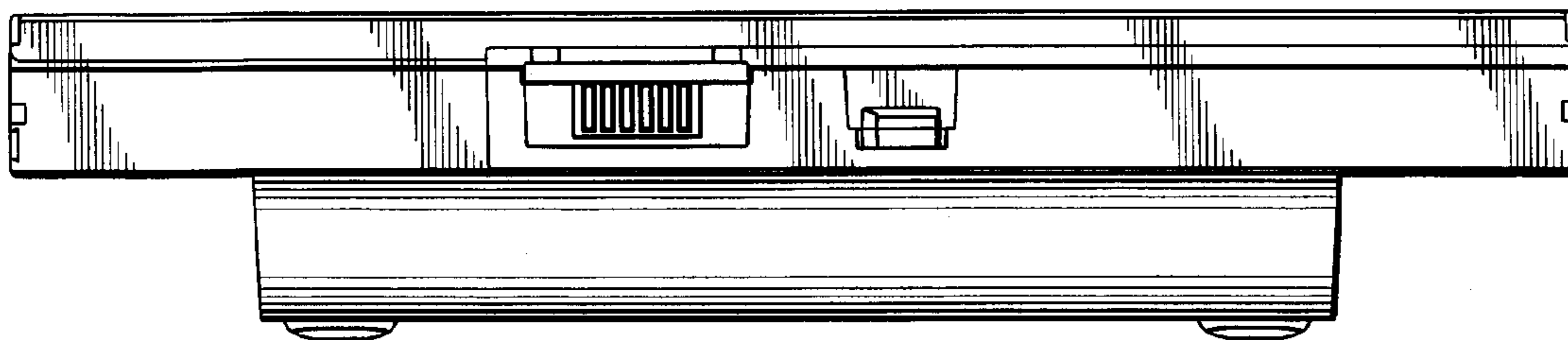


Fig. 2

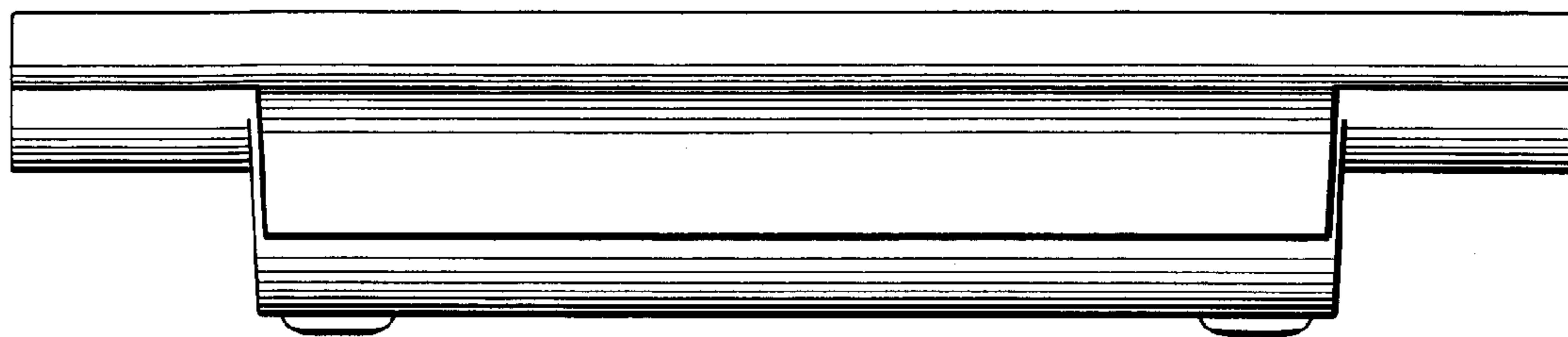


Fig. 3

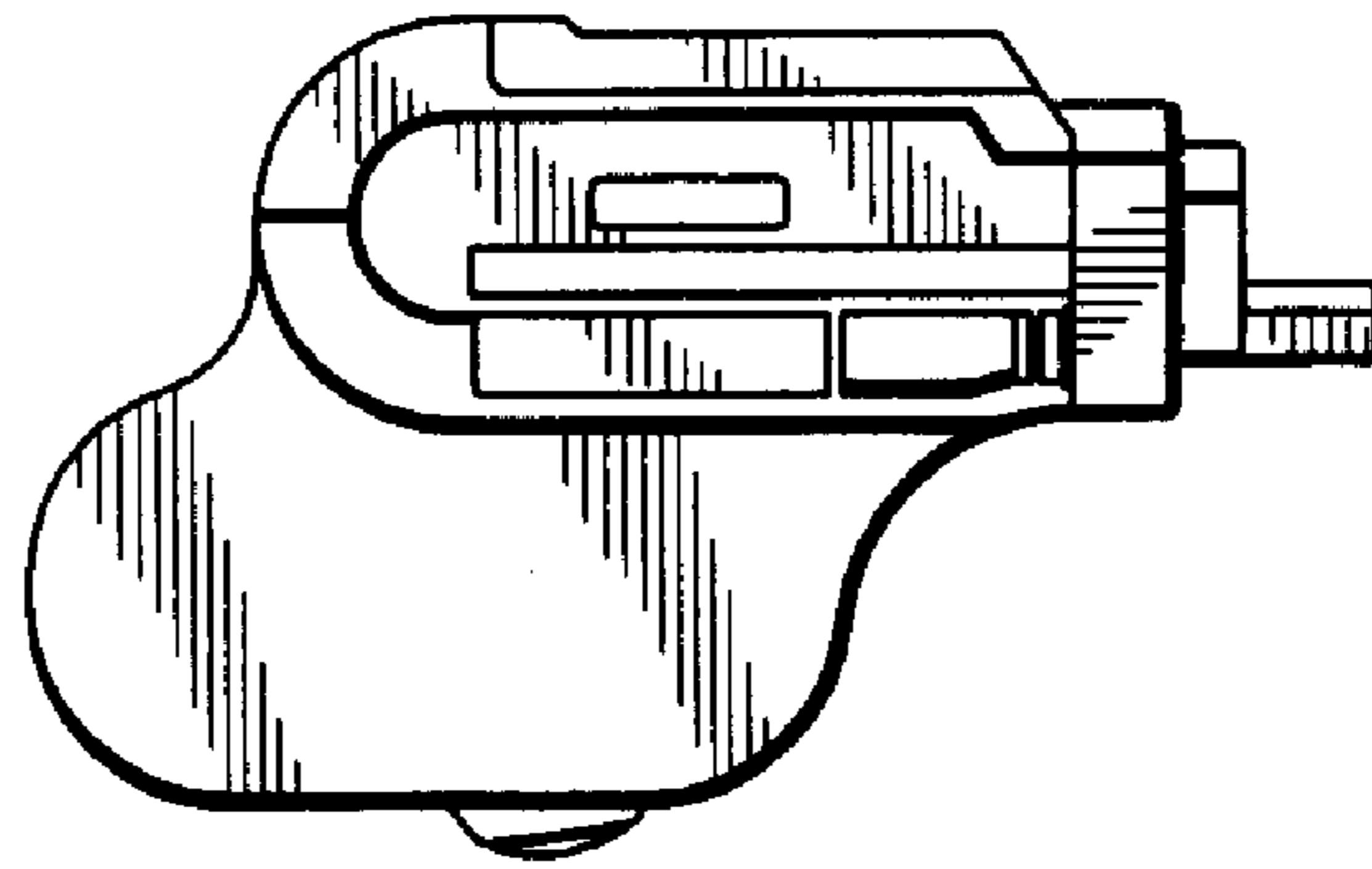


Fig. 4

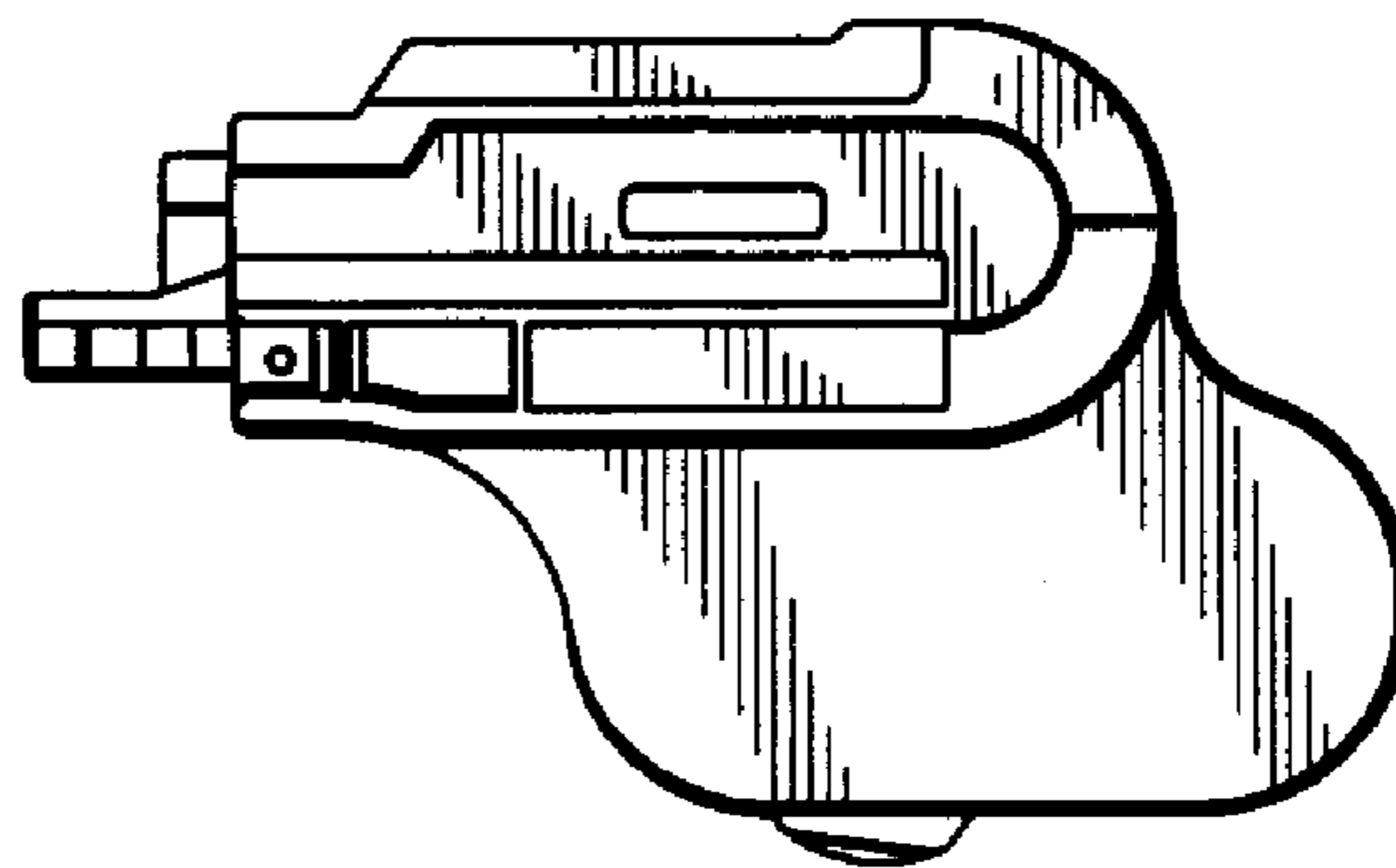


Fig. 5

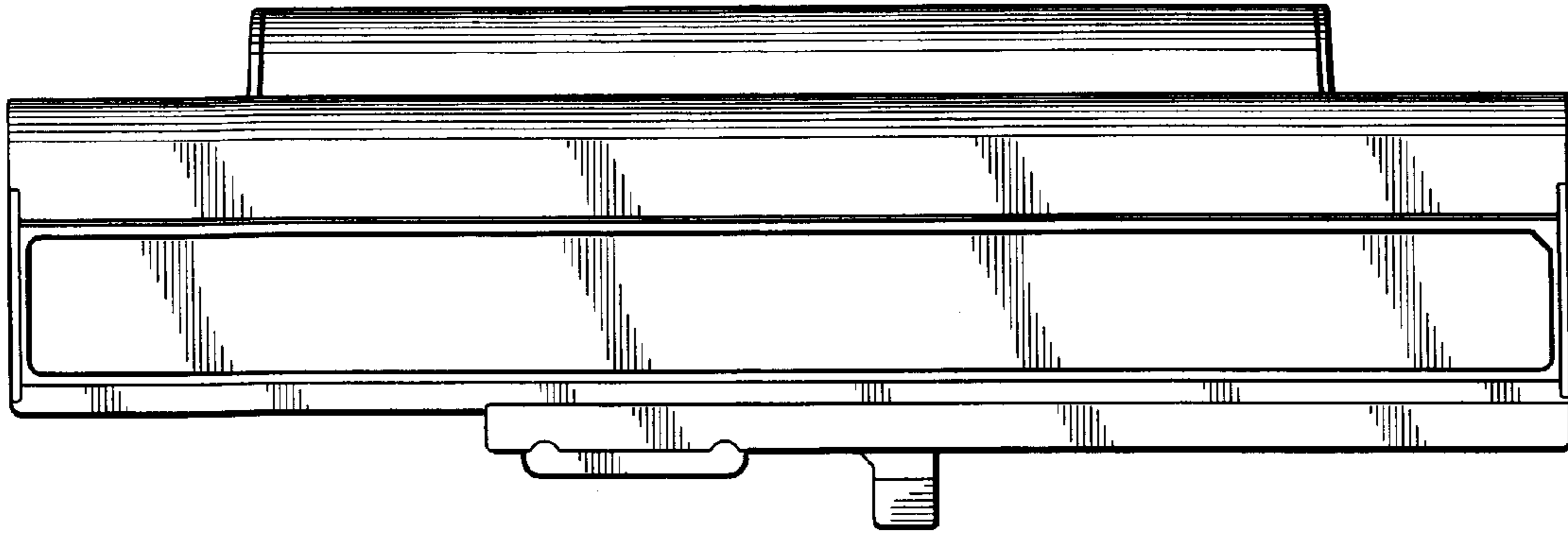


Fig. 6

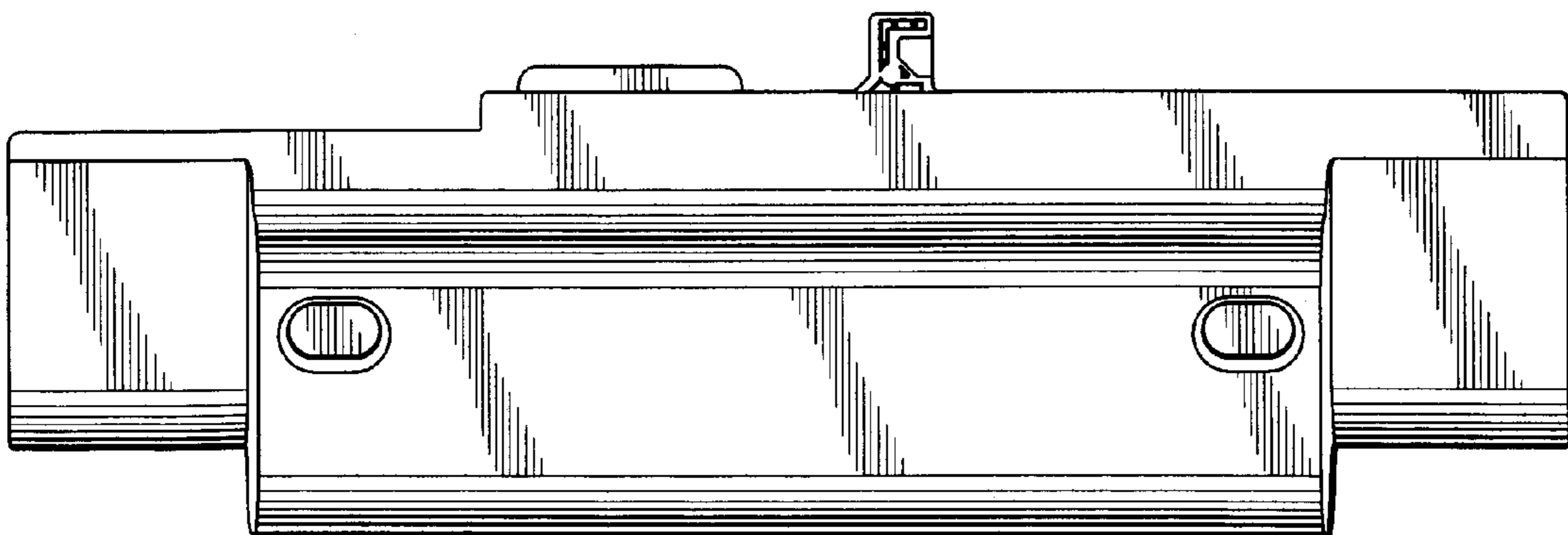


Fig. 7