



US00D535247S

(12) **United States Design Patent**
Shondel et al.

(10) **Patent No.:** **US D535,247 S**
(45) **Date of Patent:** **** Jan. 16, 2007**

(54) **TIRE TREAD**

(75) Inventors: **Jonathan James Shondel**, Massillon, OH (US); **Charles Kenneth Schmalix**, Canal Fulton, OH (US); **Paul Bryan Maxwell**, Kent, OH (US); **Jay Joseph Robinson**, Stow, OH (US); **Eric John Marazzi**, Tallmadge, OH (US); **Theresa Marie Nopper**, Macedonia, OH (US); **Karl Eric Sundkvist**, Akron, OH (US); **Kevin Lee Burnworth**, Cuyahoga Falls, OH (US); **Charles Joseph Ashton**, Cuyahoga Falls, OH (US); **Jeremy Edward Whisner**, Akron, OH (US); **Eric Matthew Luecke**, Doylestown, OH (US); **Yanghu Mou**, Akron, OH (US)

(73) Assignee: **The Goodyear Tire & Rubber Company**, Akron, OH (US)

(**) Term: **14 Years**

(21) Appl. No.: **29/252,784**

(22) Filed: **Jan. 27, 2006**

(51) **LOC (8) Cl.** **12-15**

(52) **U.S. Cl.** **D12/553**

(58) **Field of Classification Search** D12/551, D12/552, 553, 554, 555, 556, 583, 586, 587, D12/588, 589, 590, 600; 152/209.1, 209.9, 152/209.25, 209.28

See application file for complete search history.

(56) **References Cited**

U.S. PATENT DOCUMENTS

D397,650 S	*	9/1998	Himuro	D12/551
D402,945 S		12/1998	Maxwell et al.	D12/147
D416,836 S	*	11/1999	Himuro	D12/556
D455,116 S	*	4/2002	Graas et al.	D12/553

D456,765 S		5/2002	Weber et al.	D12/555
D471,149 S	*	3/2003	Endo et al.	D12/551
D471,150 S	*	3/2003	Endo et al.	D12/551
D472,515 S	*	4/2003	Hutz et al.	D12/551
D491,134 S		6/2004	Brayer et al.	D12/588
D491,881 S	*	6/2004	Ebiko et al.	D12/551
D491,883 S		6/2004	Landers et al.	D12/553
D500,983 S	*	1/2005	Lo	D12/552
D504,388 S	*	4/2005	Umstot et al.	D12/551
6,968,881 B1	*	11/2005	Ratliff et al.	152/209.15
D512,958 S	*	12/2005	Allison et al.	D12/552

OTHER PUBLICATIONS

Toyo Proxes ST Tire, 2004 Tread Design Guide, Jan. 2004, p. 58. 2/1.*

Bridgestone Potenza RE050 RFT Tire, 2004 Tread Design Guide, Jan. 2004, p. 12. 4/1.*

* cited by examiner

Primary Examiner—Robert M. Spear

(74) *Attorney, Agent, or Firm*—Richard B. O'Planick

(57) **CLAIM**

The ornamental design for a tire tread, as shown and described.

DESCRIPTION

FIG. 1 is a perspective view of a tire tread showing our new design, it being understood that the pattern repeats uniformly throughout the circumference of the tread;

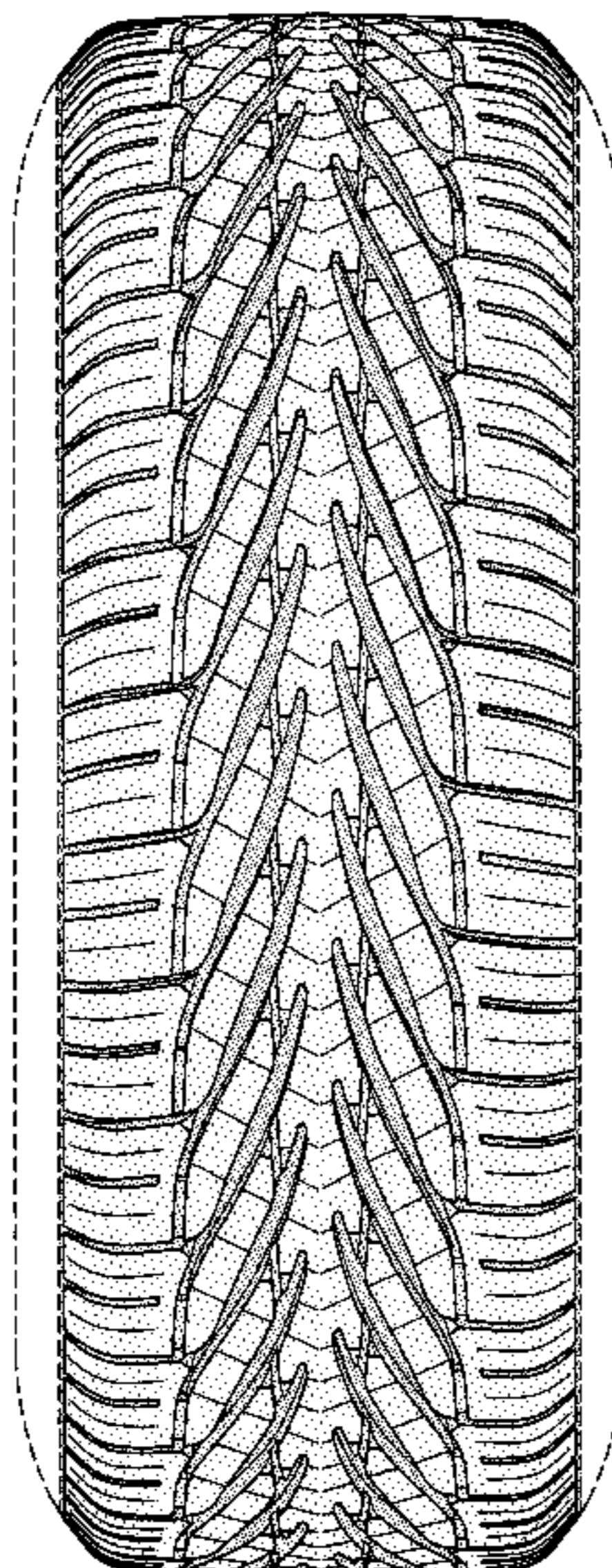
FIG. 2 is a front elevational view thereof;

FIG. 3 is a right side elevational view thereof; the other side being a mirror image thereof; and,

FIG. 4 is an enlarged fragmentary front elevational view thereof.

In the drawings, the broken lines defining the sidewall, inner bead and the peripheral boundary between the tire tread and the sidewall are for illustrative purposes only and form no part of the claimed design.

1 Claim, 4 Drawing Sheets



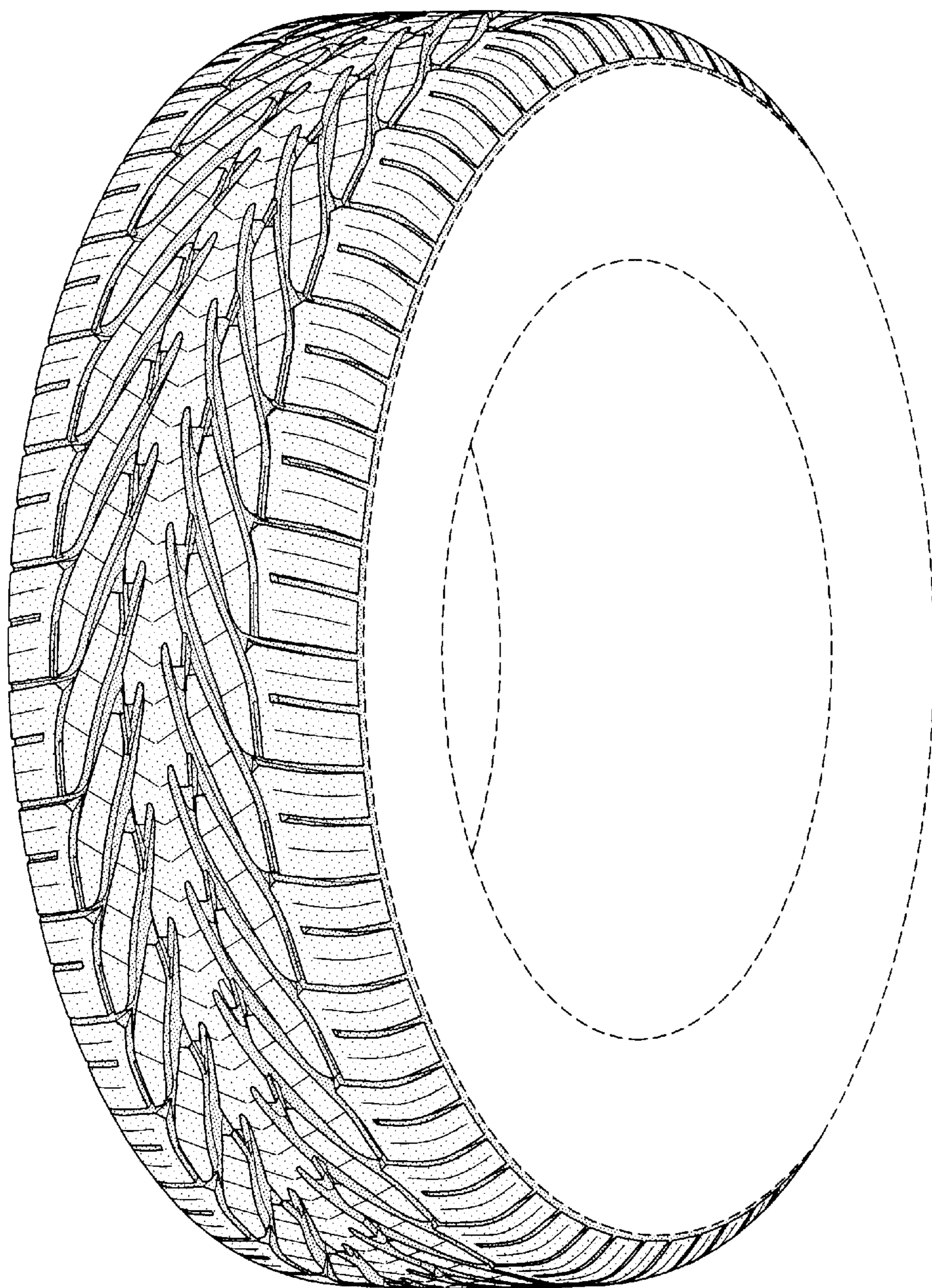


FIG-1

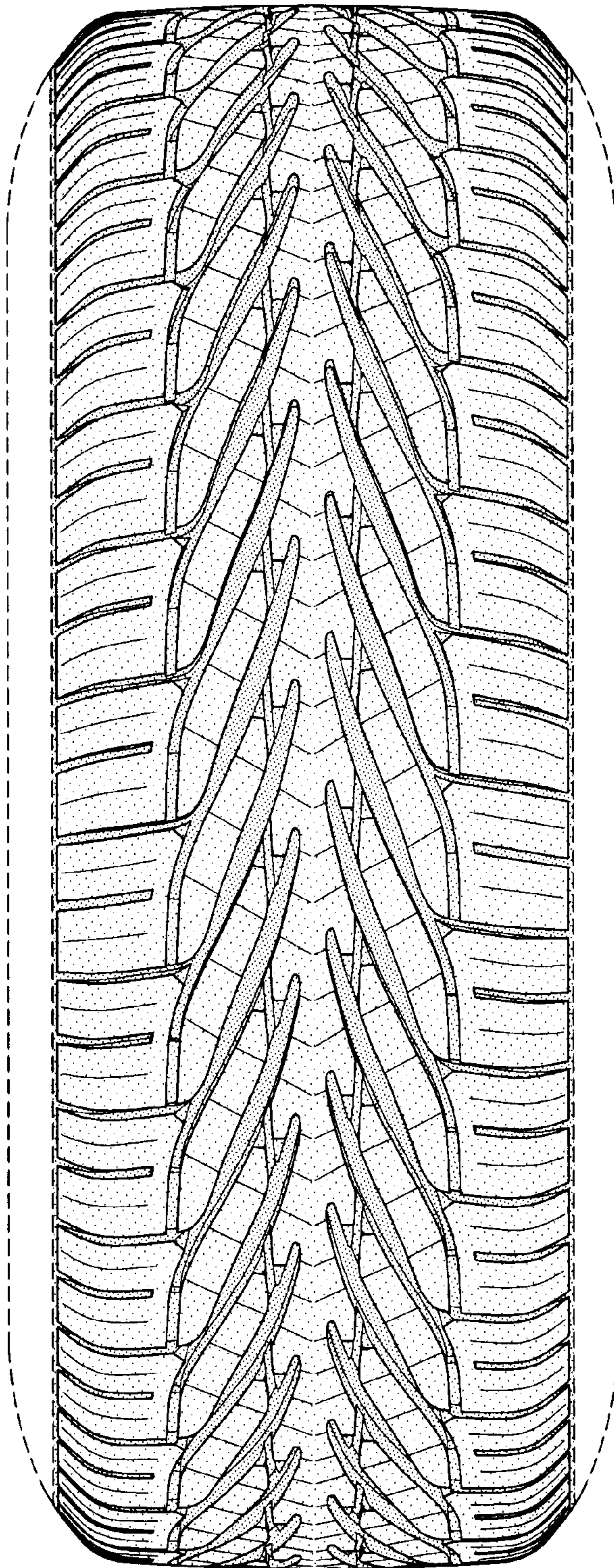


FIG-2

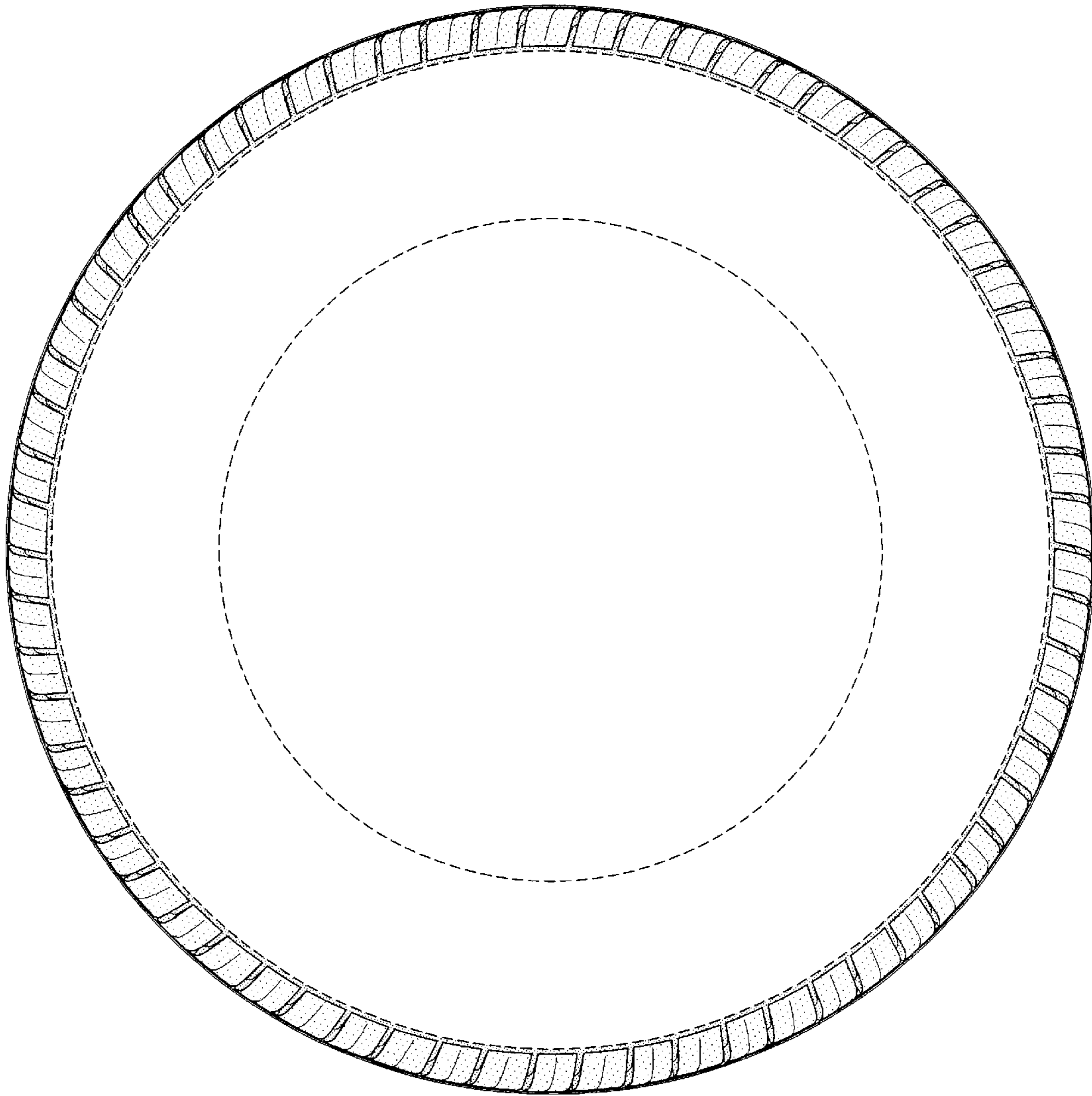


FIG-3

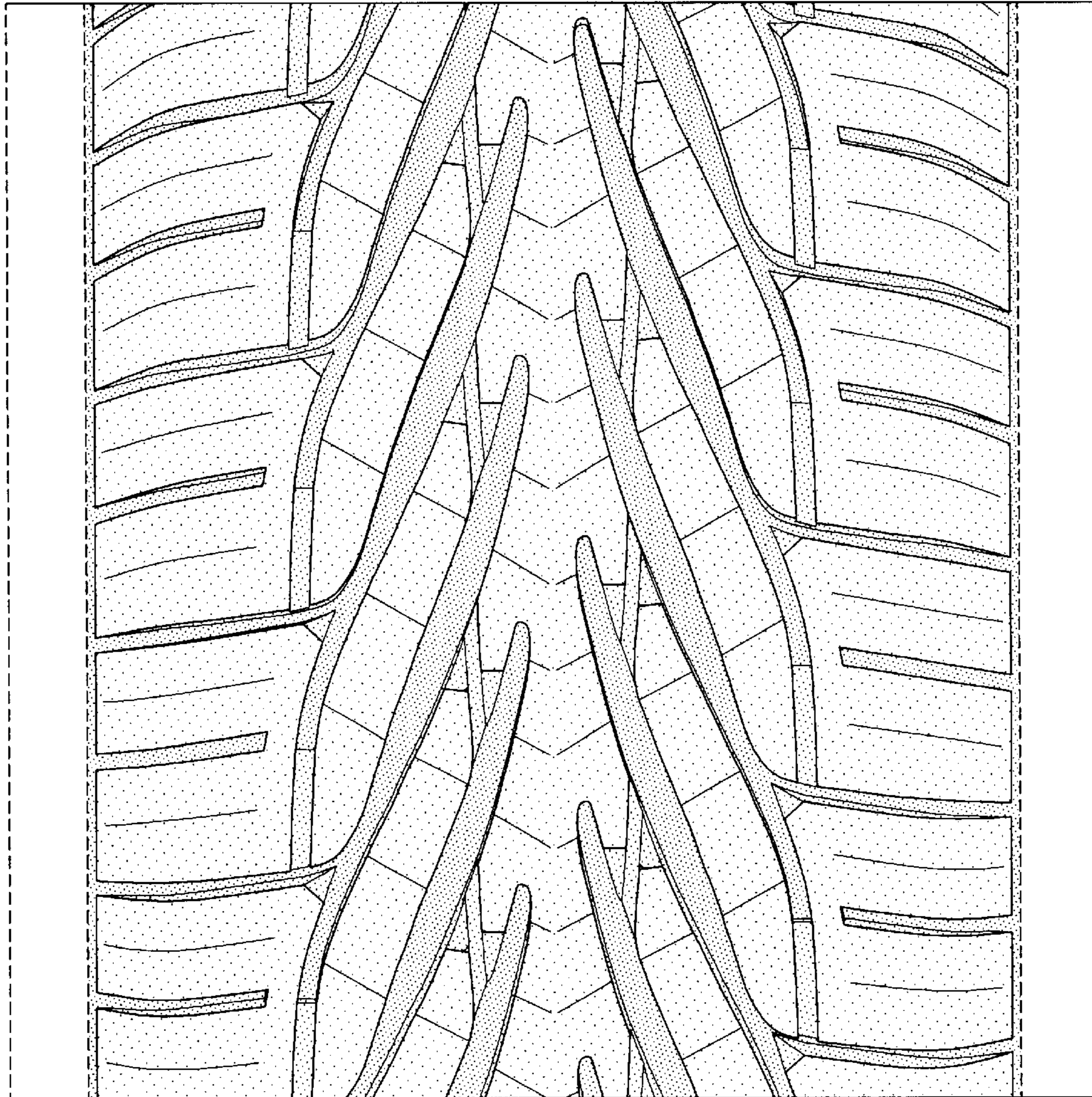


FIG-4