



US00D535246S

(12) **United States Design Patent**  
**Vitito**

(10) **Patent No.:** **US D535,246 S**

(45) **Date of Patent:** **\*\* Jan. 16, 2007**

(54) **CRADLE COVER FOR A VEHICLE ENTERTAINMENT SYSTEM**

(76) Inventor: **Christopher J. Vitito**, 514 Longmeadow St., Celebration, FL (US) 34747

(\*\*) Term: **14 Years**

(21) Appl. No.: **29/263,140**

(22) Filed: **Jul. 18, 2006**

(51) **LOC (8) Cl.** ..... **12-16**

(52) **U.S. Cl.** ..... **D12/418**

(58) **Field of Classification Search** ..... D12/415, D12/418, 400, 195; D14/124, 126, 129, 113, D14/132-133, 100; 296/37.1-37.8, 70, 24.1, 296/929, 534; 224/311, 539; 180/90; 439/34  
See application file for complete search history.

(56) **References Cited**

**U.S. PATENT DOCUMENTS**

D297,527 S	*	9/1988	Iacovelli	.....	D12/418
D339,780 S	*	9/1993	Burdick	.....	D12/418
D413,856 S	*	9/1999	Scribner	.....	D12/418
D456,789 S	*	5/2002	Snyker	.....	D14/132
D467,562 S	*	12/2002	Chang	.....	D14/132
D469,068 S	*	1/2003	Furusawa	.....	D14/132

D473,841 S	*	4/2003	Kendrick, III	.....	D12/418
D489,044 S	*	4/2004	Bremenkamp et al.	....	D14/132
D508,900 S	*	8/2005	Kawano et al.	.....	D14/132
D510,329 S	*	10/2005	Vitito	.....	D14/132
D511,332 S	*	11/2005	Vitito	.....	D14/132
D511,756 S	*	11/2005	Matsuoka	.....	D14/132
D512,973 S	*	12/2005	Schedivy	.....	D14/132

\* cited by examiner

*Primary Examiner*—Stacia Cadmus

(74) *Attorney, Agent, or Firm*—Welsh & Flaxman LLC

(57) **CLAIM**

The ornamental design for a cradle cover for a vehicle entertainment system, as shown and described.

**DESCRIPTION**

FIG. 1 is a front perspective view of a cradle cover for a vehicle entertainment system showing my new design.

FIG. 2 is a rear perspective view of thereof.

FIG. 3 is a front plan view of thereof.

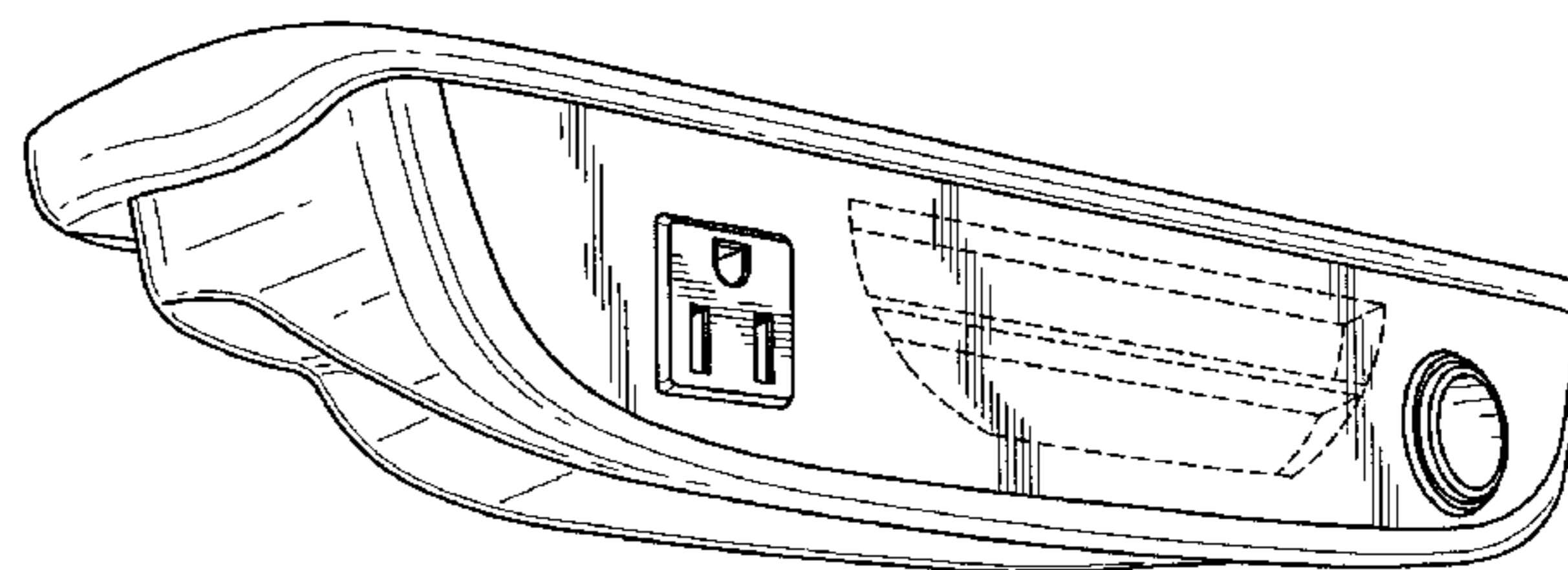
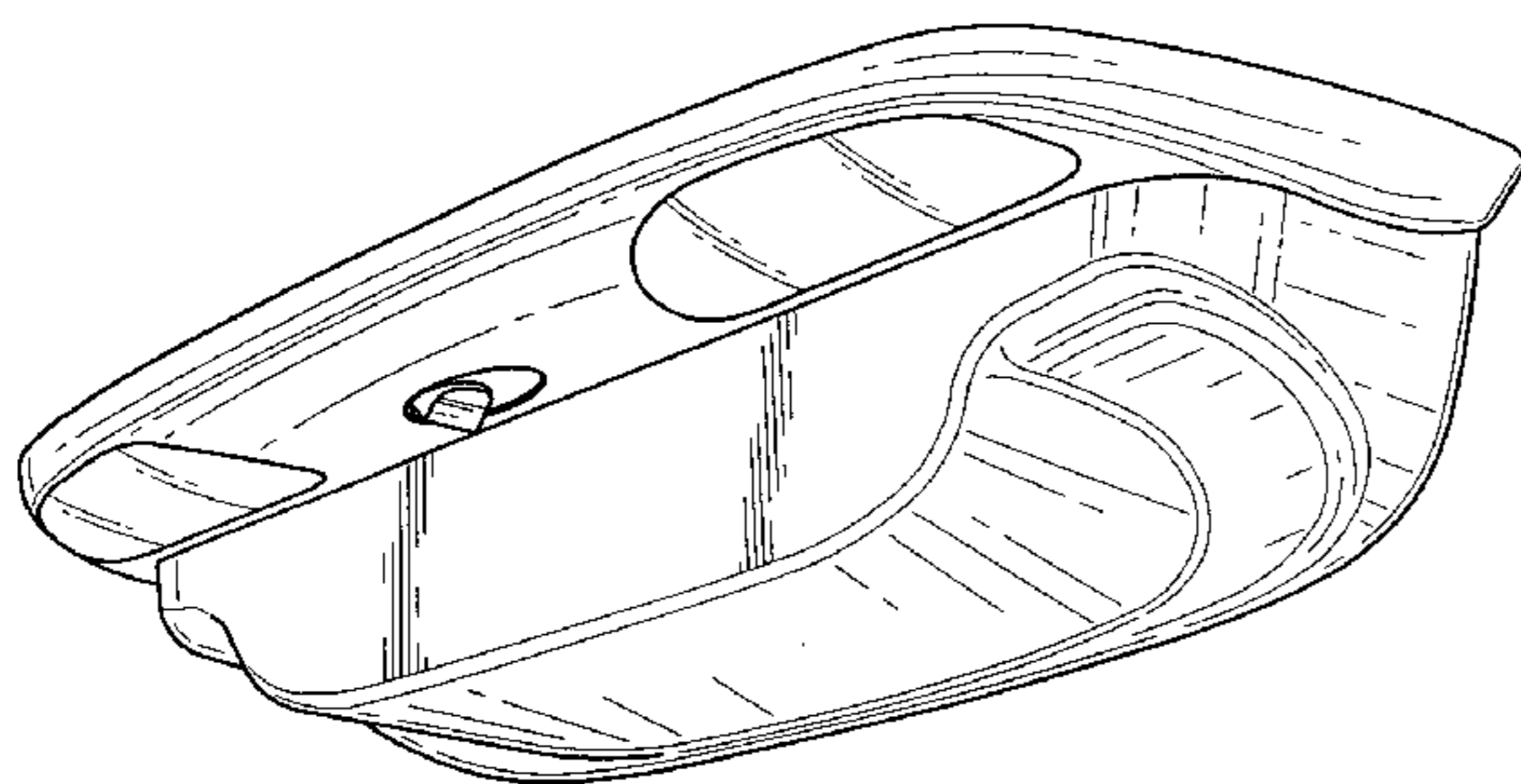
FIG. 4 is a rear plan view of thereof.

FIG. 5 is a bottom view of thereof; and,

FIG. 6 is a side view of thereof.

The broken lines in the drawings are for the purpose of showing environmental structure and do not form part of the design to be patented.

**1 Claim, 3 Drawing Sheets**



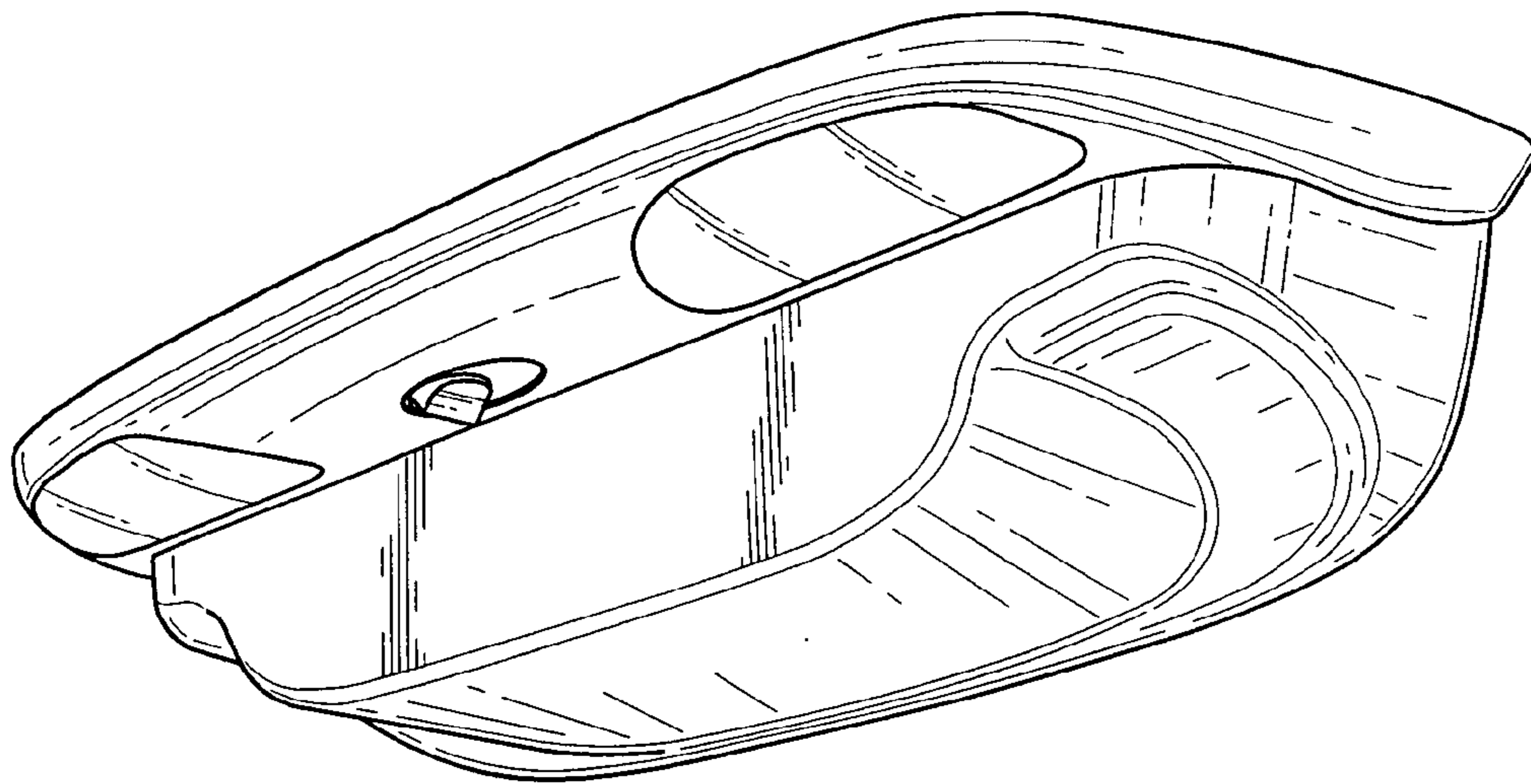


FIG. 1

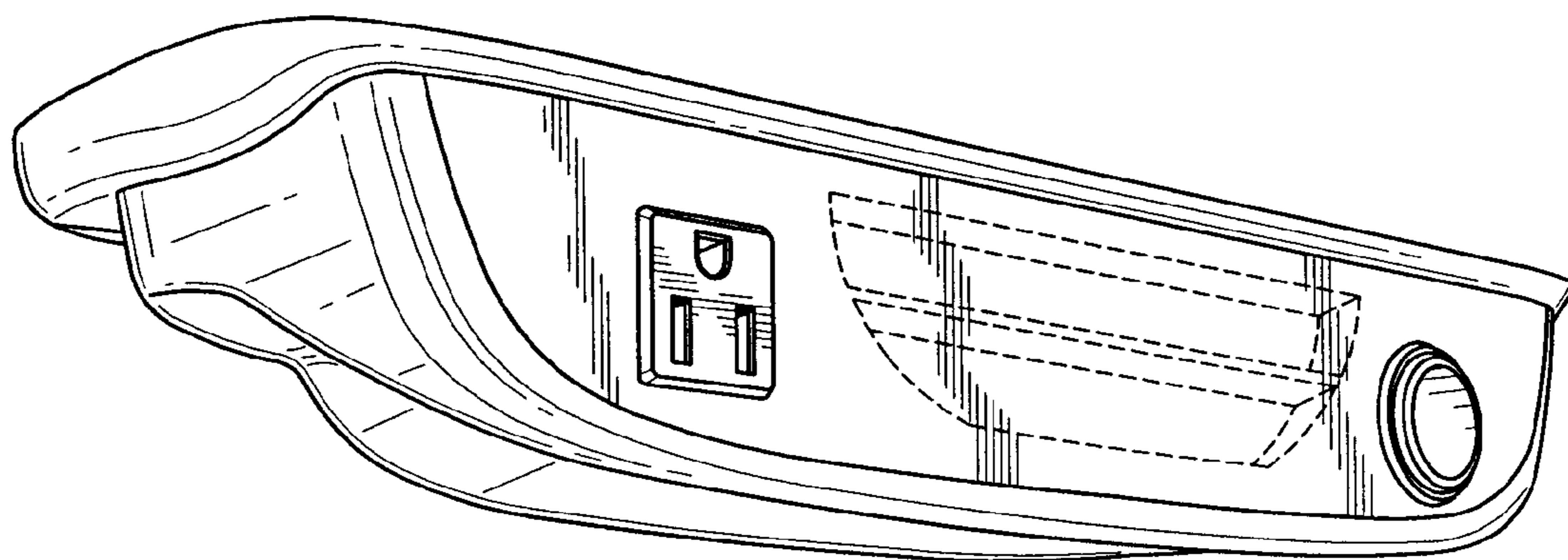


FIG. 2

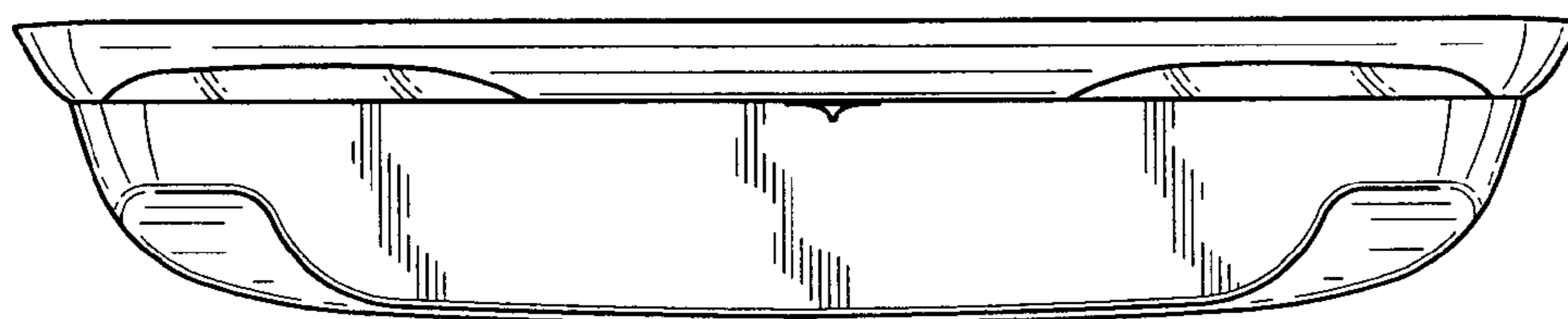


FIG. 3

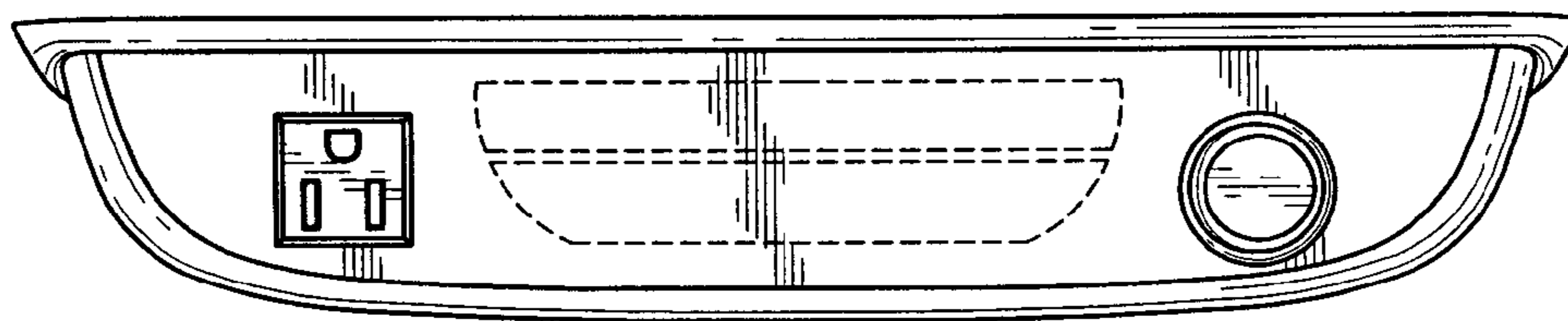


FIG. 4

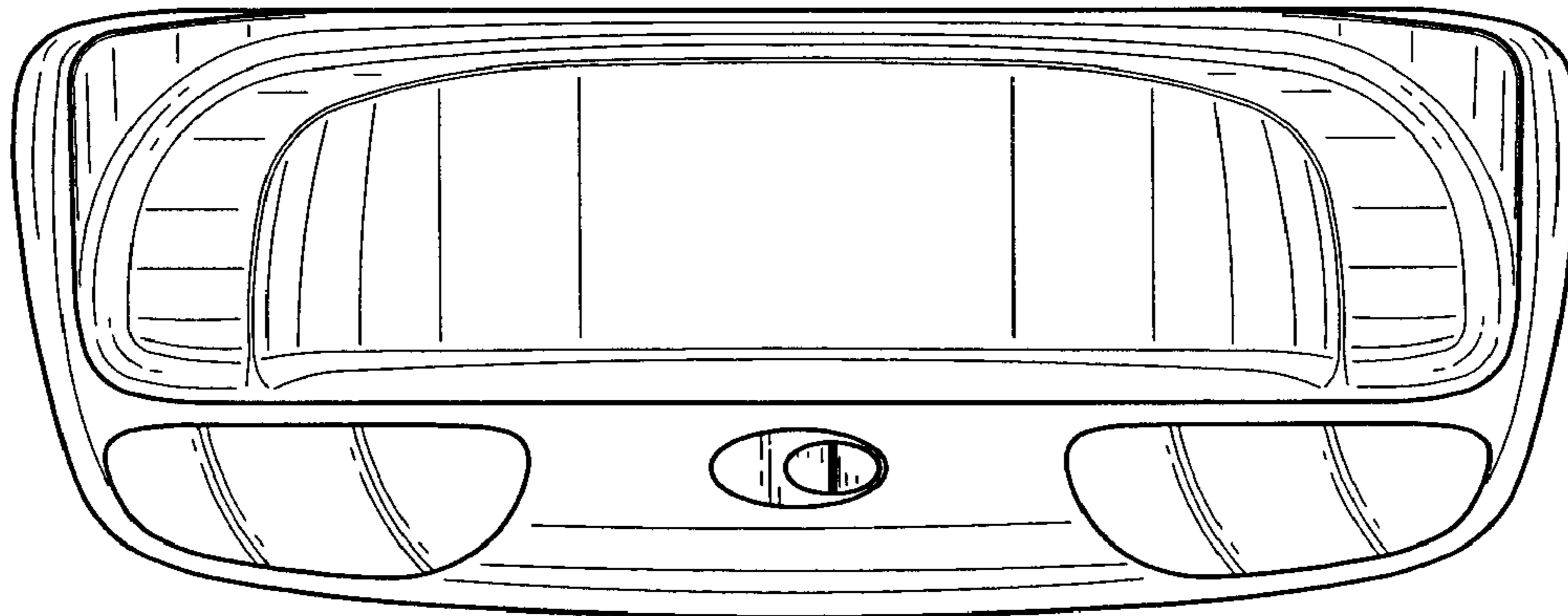


FIG. 5

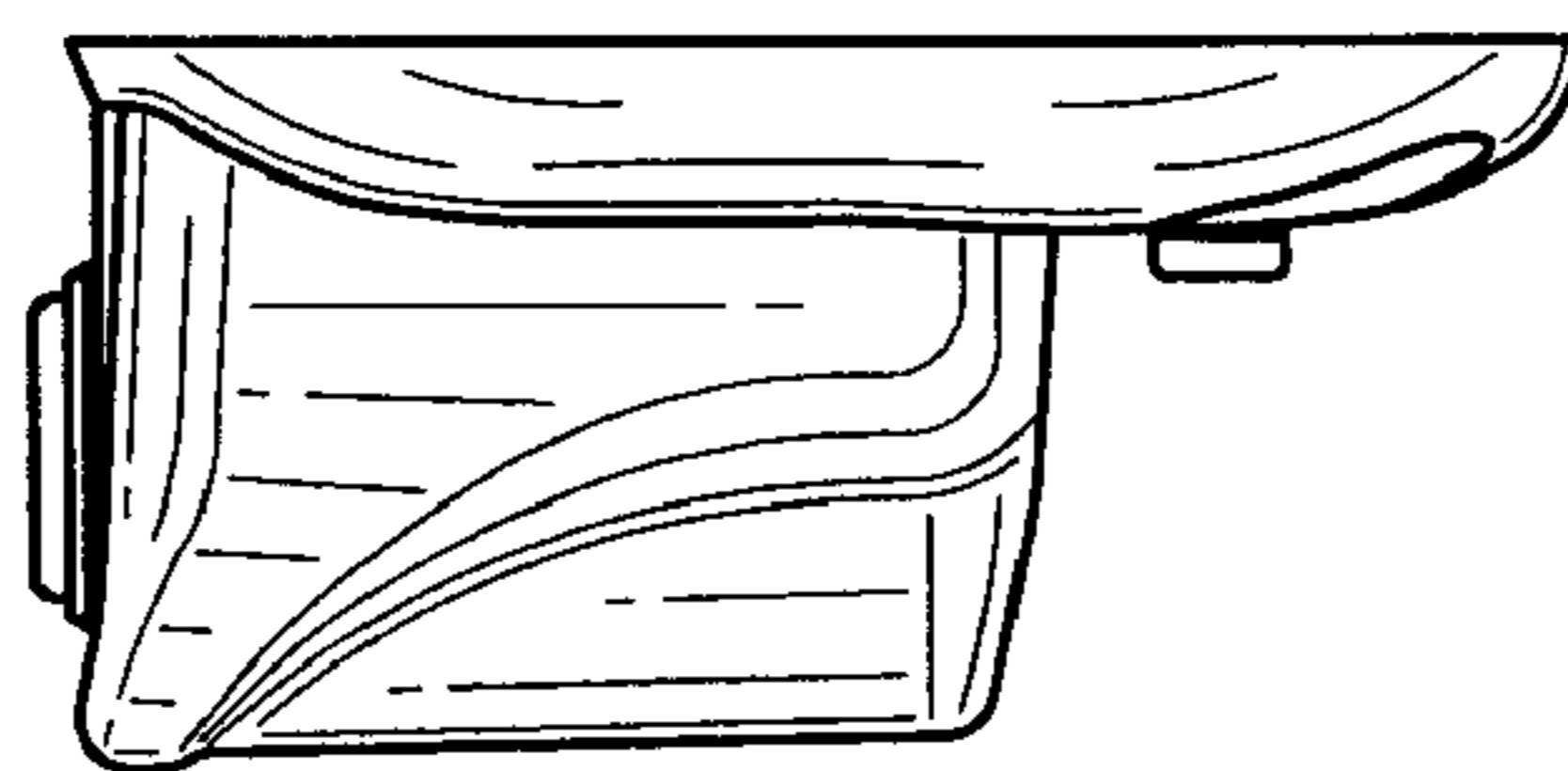


FIG. 6