

US00D535245S

(12) **United States Design Patent**
Fraser et al.

(10) **Patent No.:** **US D535,245 S**

(45) **Date of Patent:** **** Jan. 16, 2007**

(54) **CONSOLE LID**

(75) Inventors: **Jason Fraser**, Waterloo (CA); **Gregory Baniak**, Toronto (CA); **Joe D'Angelo**, Cambridge (CA)

(73) Assignee: **Ultra Manufacturing Limited**, Kitchener (CA)

(**) Term: **14 Years**

(21) Appl. No.: **29/220,634**

(22) Filed: **Jan. 5, 2005**

(51) **LOC (8) Cl.** **12-16**

(52) **U.S. Cl.** **D12/415**

(58) **Field of Classification Search** D12/415,
D12/419-426.1; 224/42.11, 400, 539-543,
224/926-928, 536, 548, 275, 282; 296/37.1-37.8,
296/37.12, 37.16, 37.14, 37.15; 248/311.2;
D7/619.1-625, 509, 523, 552.1; D6/406.1,
D6/406.2, 513; D3/294

See application file for complete search history.

(56) **References Cited**

U.S. PATENT DOCUMENTS

D286,344 S * 10/1986 Hughes, Jr. D12/420
D336,579 S * 6/1993 Keller et al. D6/513
D366,024 S * 1/1996 Young D12/425
D401,214 S * 11/1998 Benavidez et al. D12/416

D408,350 S * 4/1999 Ball et al. D12/425
D415,995 S * 11/1999 Kanehl, Jr. D12/419
D431,019 S * 9/2000 Richter D12/426.1
D435,196 S * 12/2000 Gregor et al. D7/552.1
D500,284 S * 12/2004 Clark D12/415
D501,997 S * 2/2005 Hassett D3/294
D512,679 S * 12/2005 Fraser et al. D12/419

* cited by examiner

Primary Examiner—Stacia Cadmus

(57) **CLAIM**

The ornamental design for a console lid, as shown and described.

DESCRIPTION

FIG. 1 is a perspective view of a left side, a front side, and a top side of the console lid showing the body portion in the lowered position;

FIG. 2 is a perspective view of a right side, a rear side, and a bottom side thereof;

FIG. 3 is a view of the left side thereof;

FIG. 4 is a view of the front side thereof;

FIG. 5 is a view of the right side thereof;

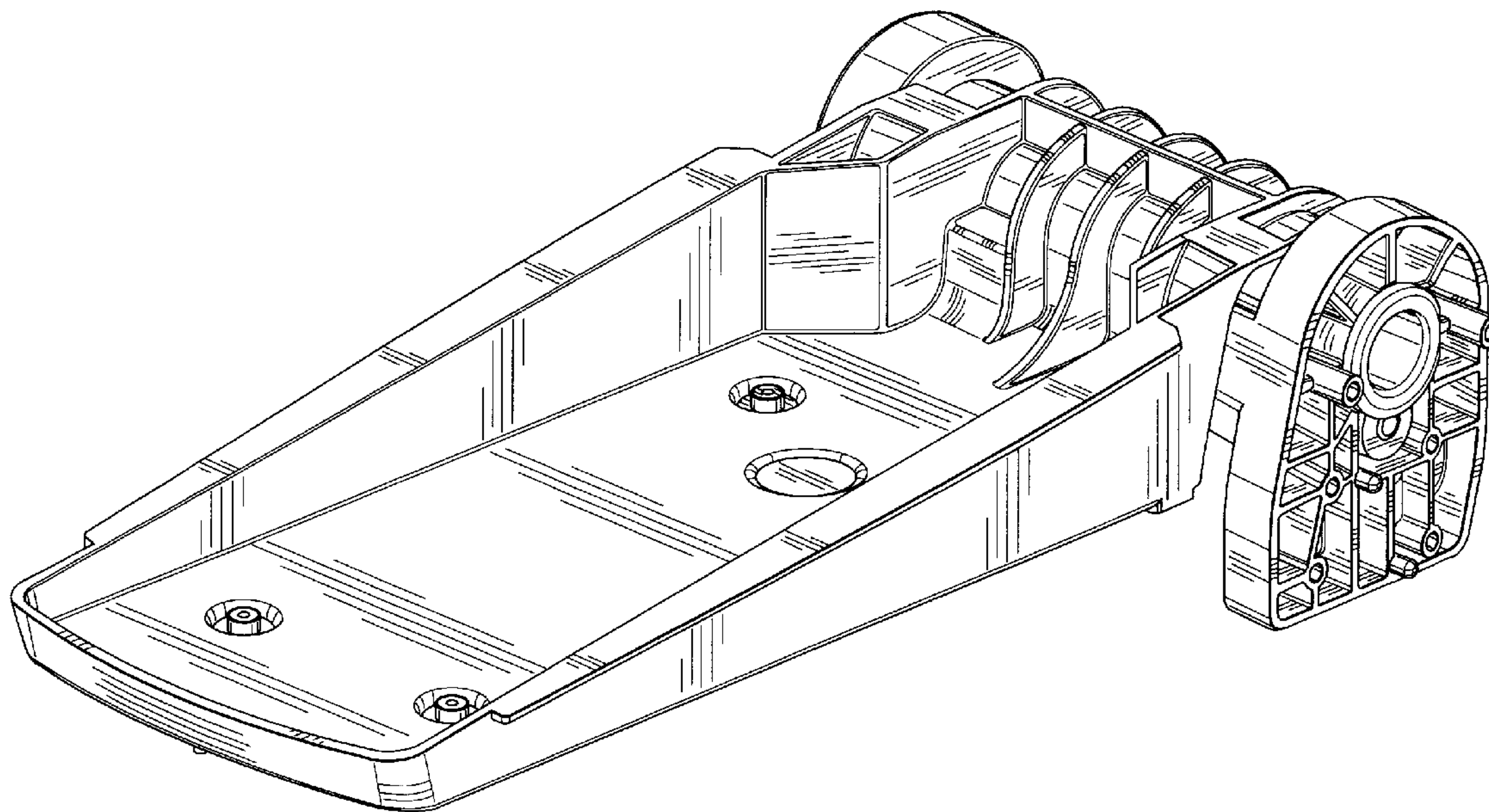
FIG. 6 is a view of the rear side thereof;

FIG. 7 is a top view thereof;

FIG. 8 is a bottom view thereof; and,

FIG. 9 is a perspective view of the console lid with the body portion in the raised position.

1 Claim, 7 Drawing Sheets



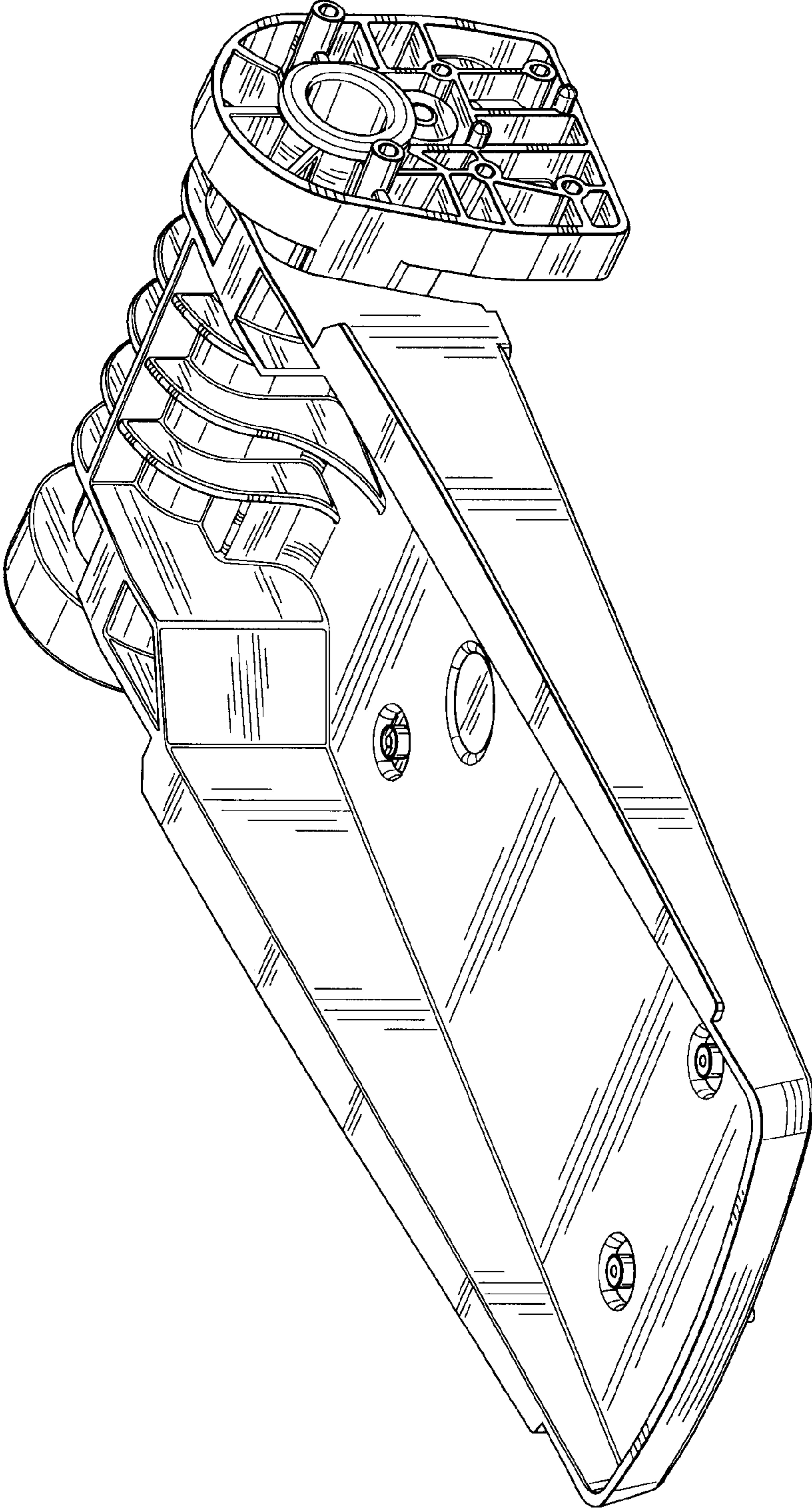


FIG. 1

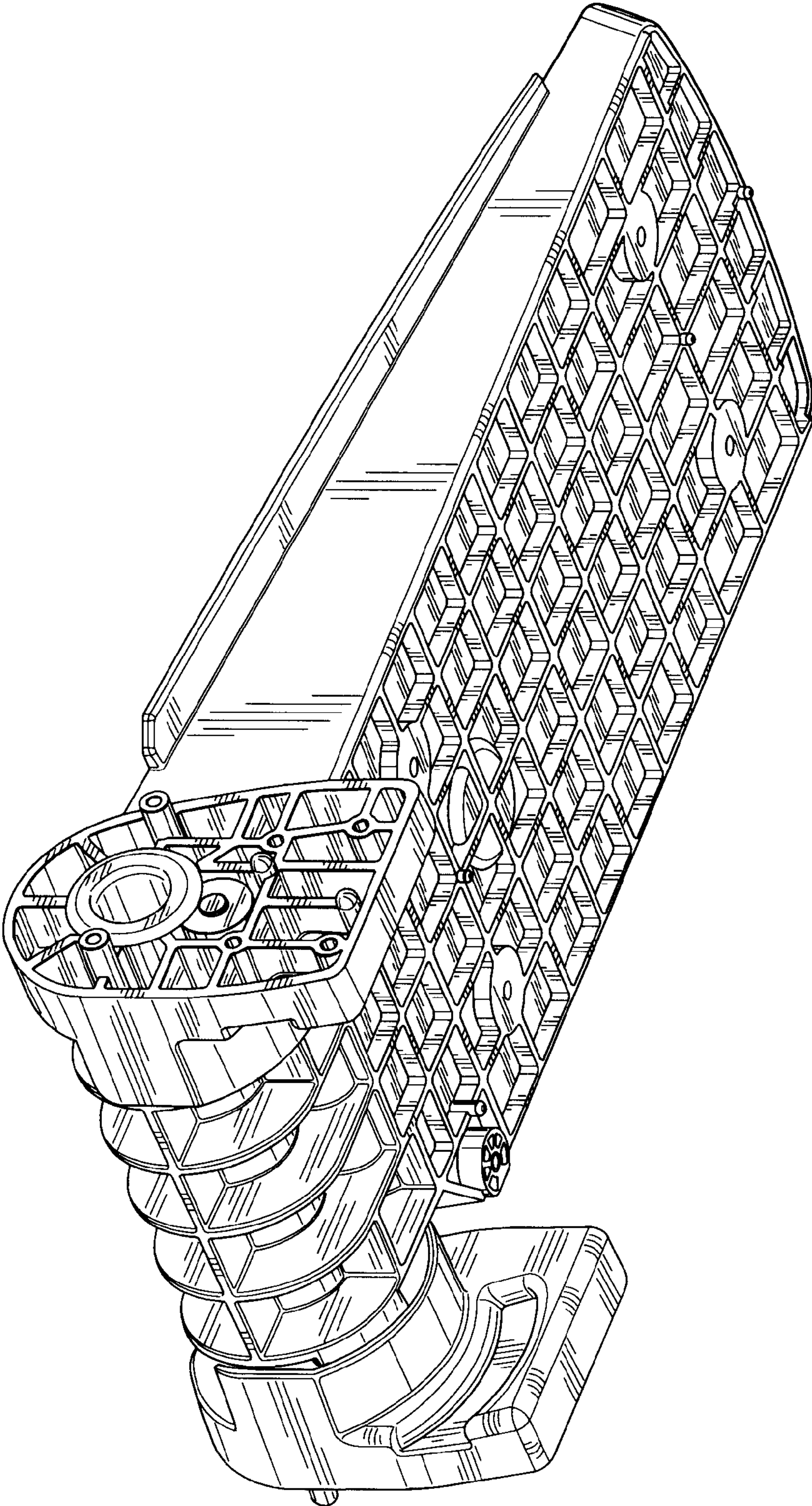


FIG. 2

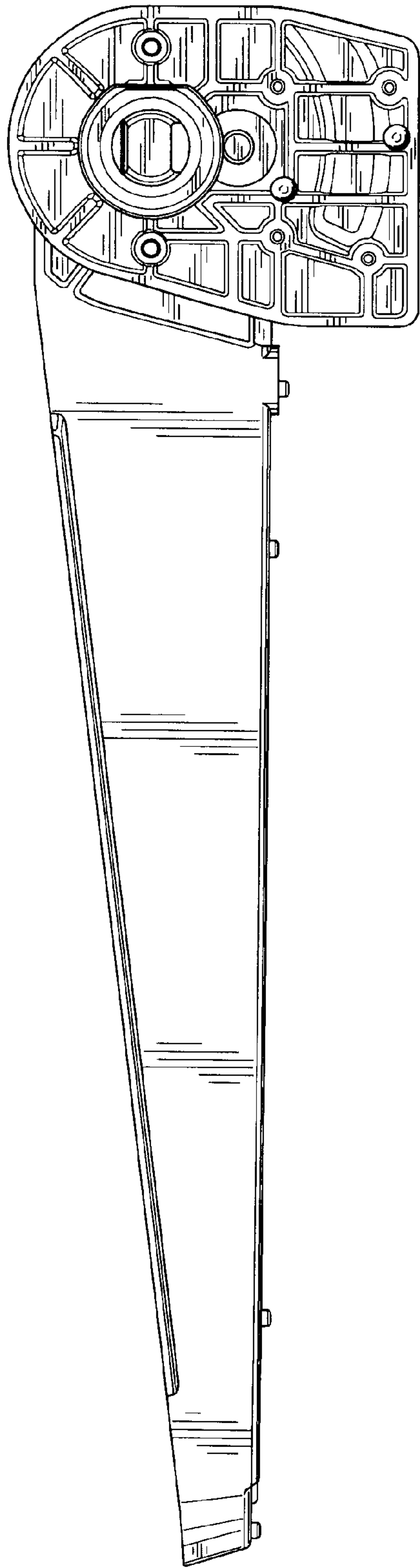


FIG. 3

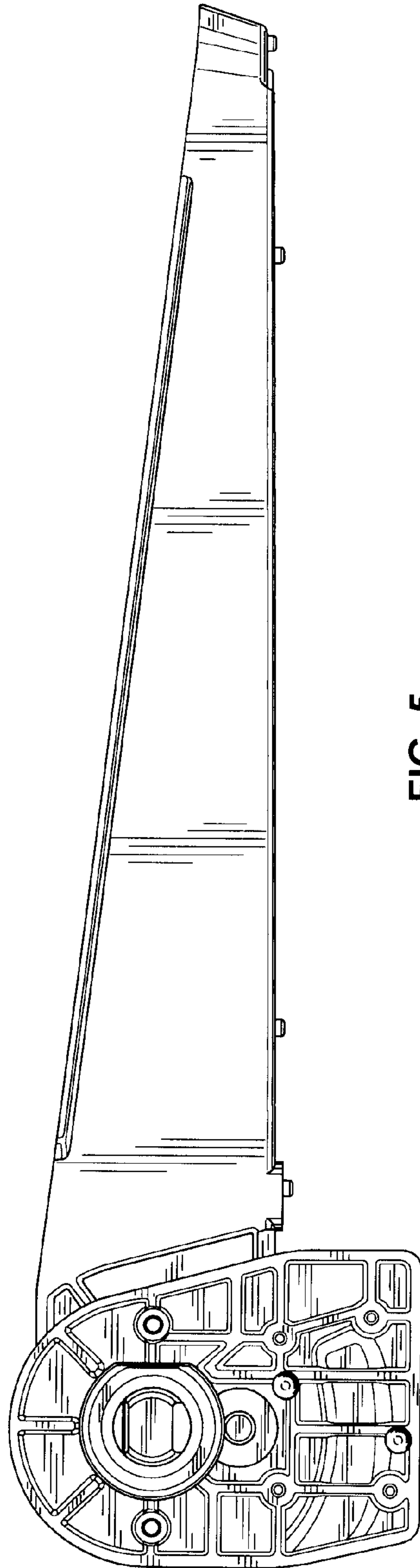


FIG. 5

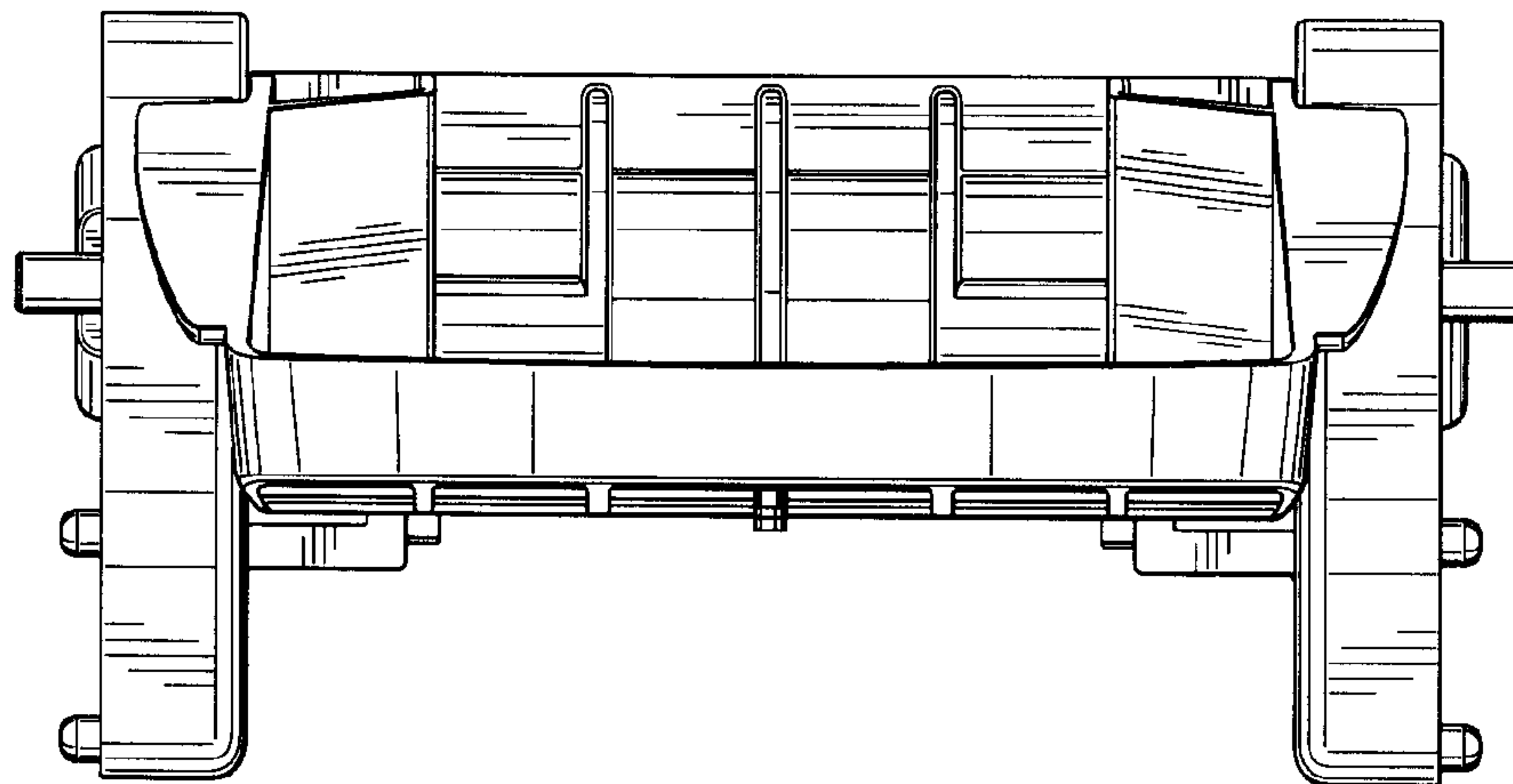


FIG. 4

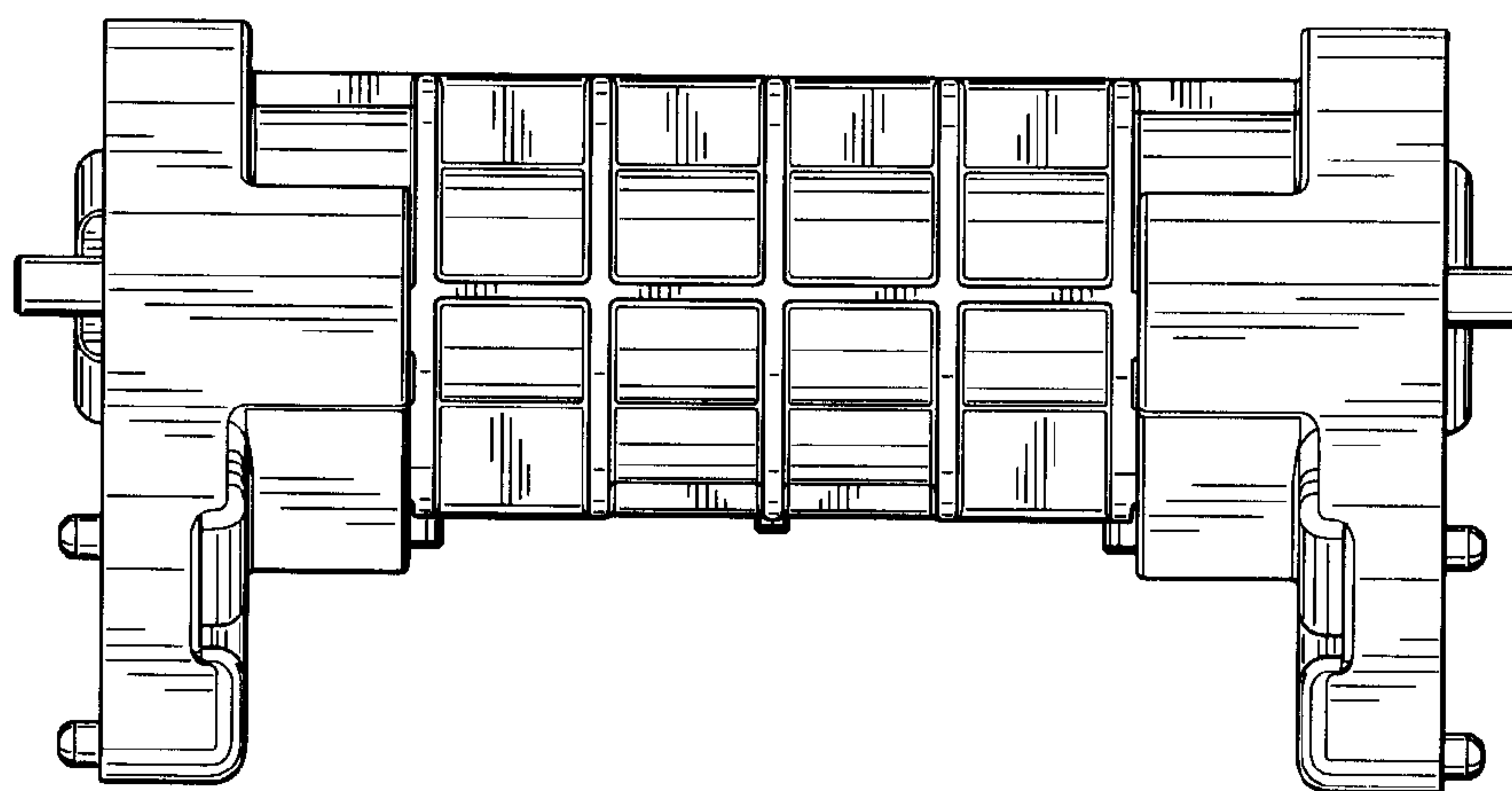


FIG. 6

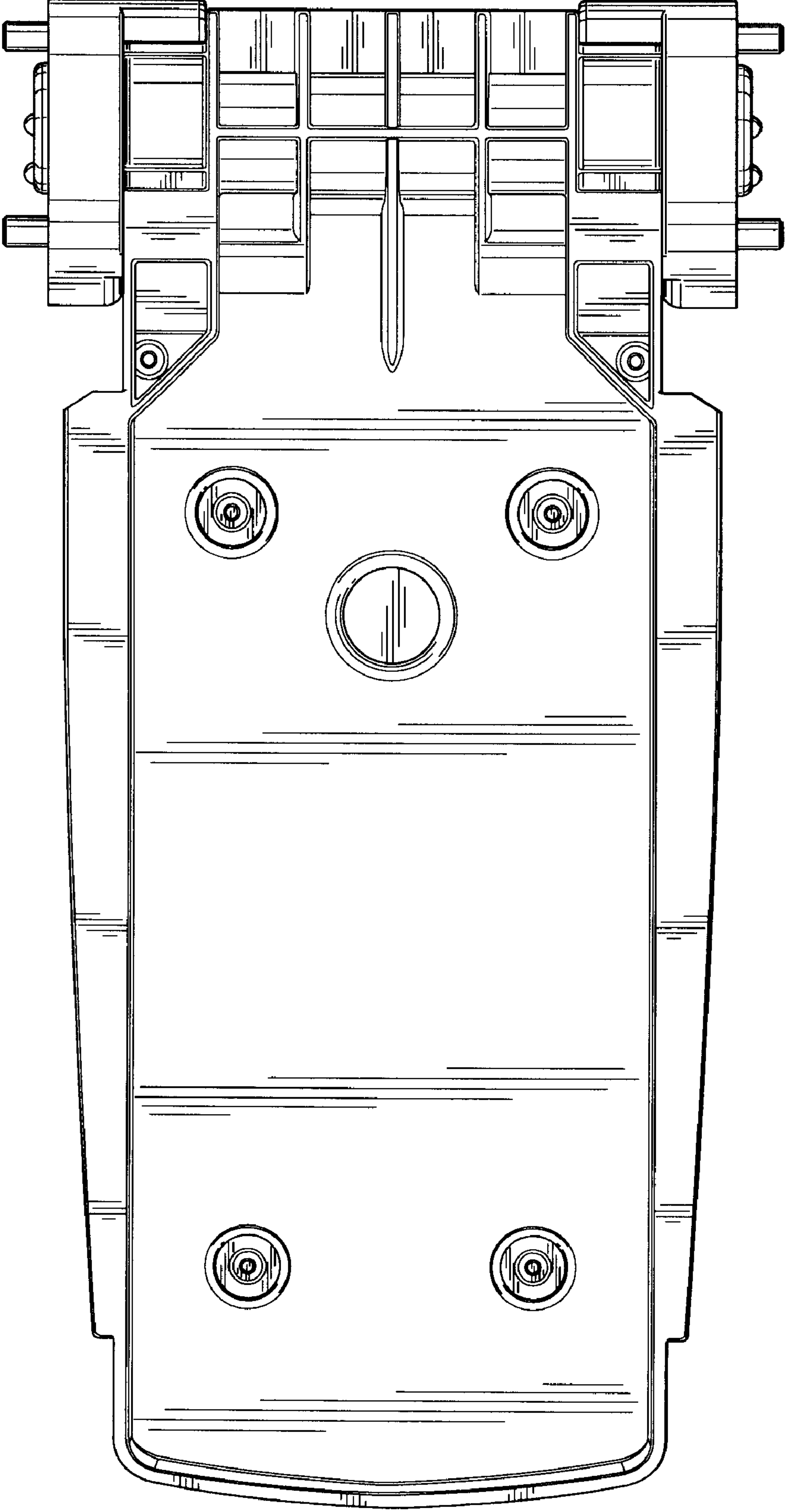


FIG. 7

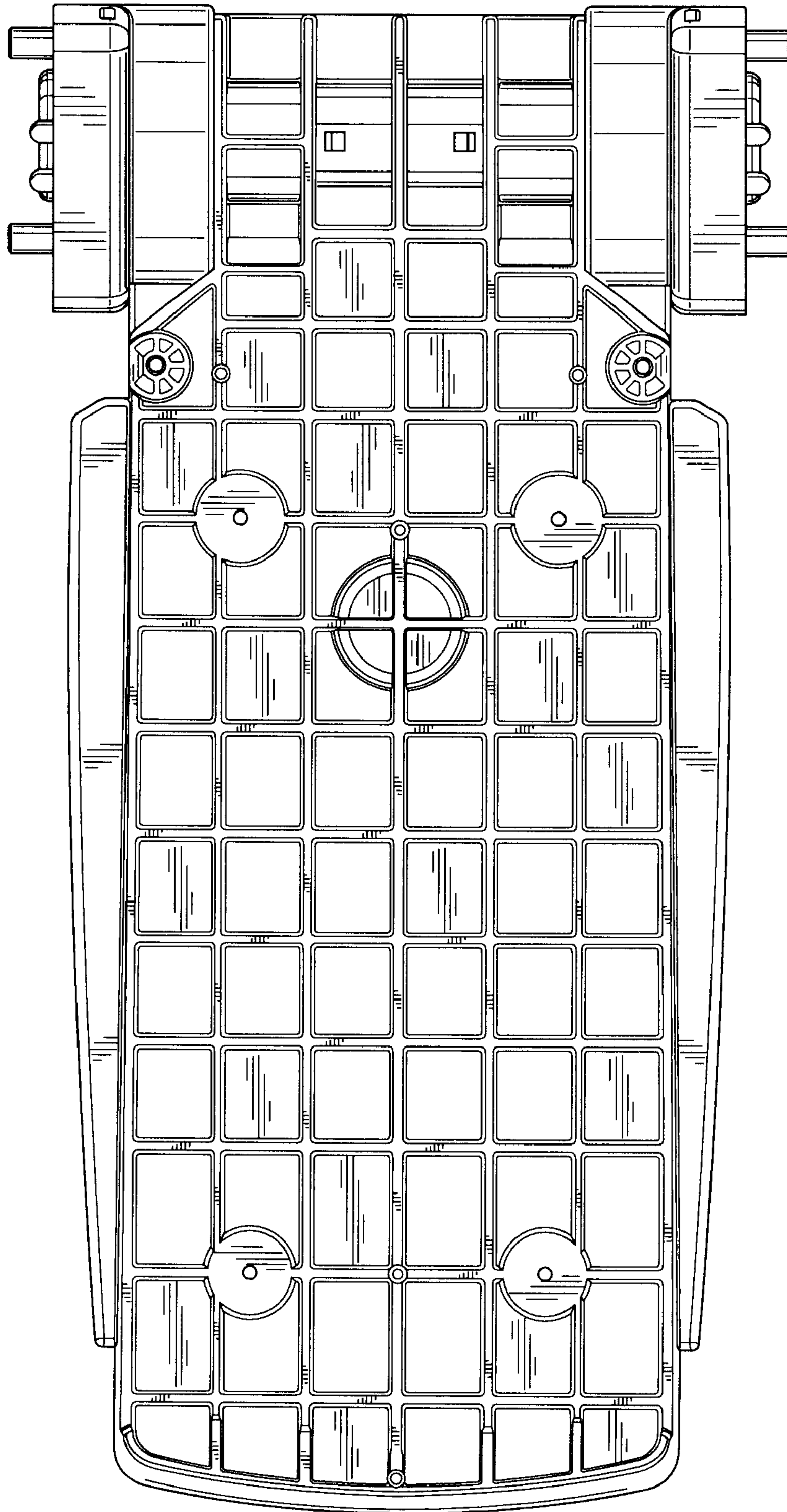


FIG. 8

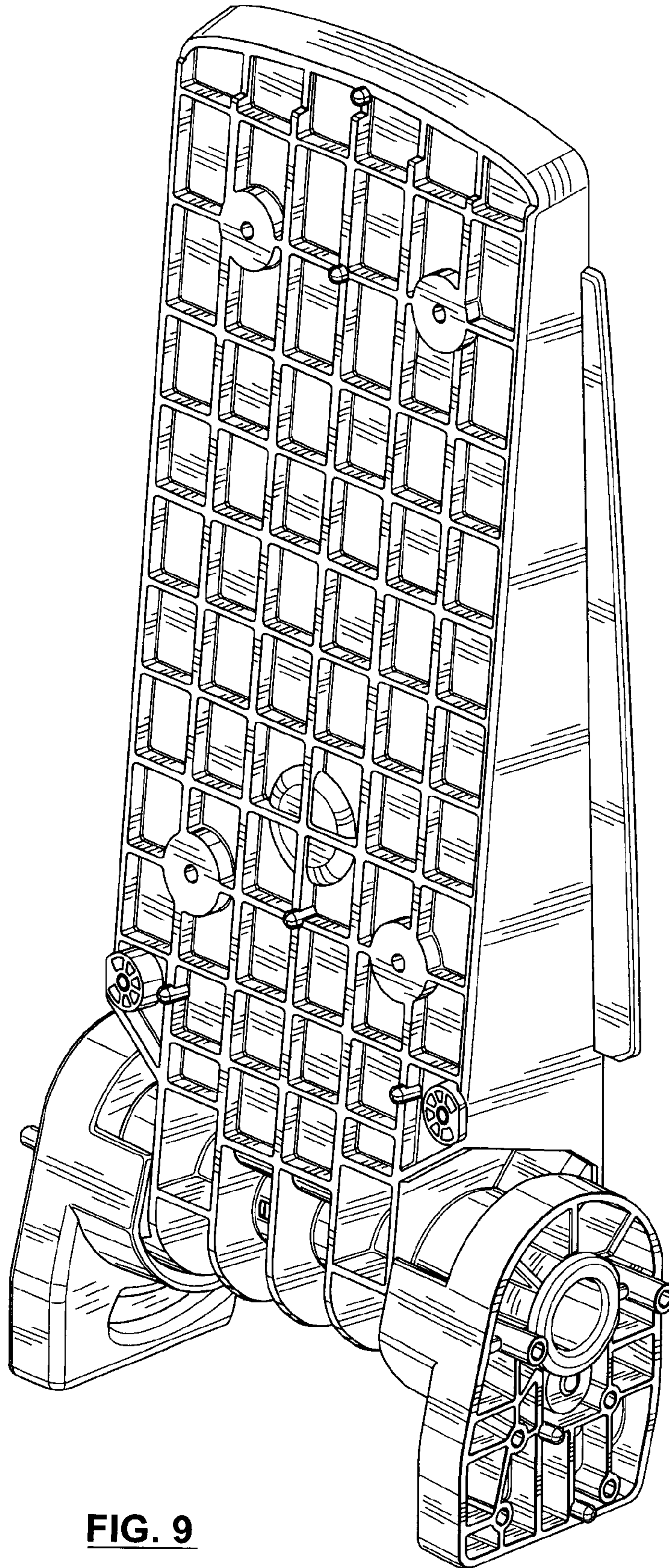


FIG. 9