



US00D535243S

(12) **United States Design Patent**
Andkjar

(10) **Patent No.:** **US D535,243 S**

(45) **Date of Patent:** **** Jan. 16, 2007**

(54) **MOTORCYCLE MOUNTING BRACKET**

(76) Inventor: **Eric Andkjar**, P.O. Box 206, Callicoon, NY (US) 12723

(**) Term: **14 Years**

(21) Appl. No.: **29/235,056**

(22) Filed: **Jul. 27, 2005**

(51) **LOC (8) Cl.** **12-06**

(52) **U.S. Cl.** **D12/223**

(58) **Field of Classification Search** D12/110,
D12/114, 178, 223; 248/316.1; 74/551.8,
74/551.9; 280/288.4, 762; 224/413, 420,
224/441, 442, 448, 454, 459; 701/200, 209;
340/995.1; 342/357.06, 357.07, 357.08; 180/219
See application file for complete search history.

(56) **References Cited**

U.S. PATENT DOCUMENTS

- 5,355,746 A * 10/1994 Lin 224/420
- D396,835 S * 8/1998 Roddy D12/114
- 6,157,890 A * 12/2000 Nakai et al. 701/200
- 6,783,040 B1 * 8/2004 Batchelor 224/413

* cited by examiner

Primary Examiner—Alan P. Douglas

Assistant Examiner—Linda Brooks

(74) *Attorney, Agent, or Firm*—MacCord Mason PLLC

(57) **CLAIM**

The ornamental design for a motorcycle mounting bracket, as shown and described.

DESCRIPTION

FIG. 1 is a front view of Embodiment 1 of a motorcycle mounting bracket.

FIG. 2 is a back view of Embodiment 1.

FIG. 3 is a top view of Embodiment 1.

FIG. 4 is a bottom view of Embodiment 1.

FIG. 5 is a left side view of Embodiment 1.

FIG. 6 is a right side view of Embodiment 1.

FIG. 7 is a front view of Embodiment 2 of a motorcycle mounting bracket.

FIG. 8 is a back view of Embodiment 2.

FIG. 9 is a top view of Embodiment 2.

FIG. 10 is a bottom view of Embodiment 2.

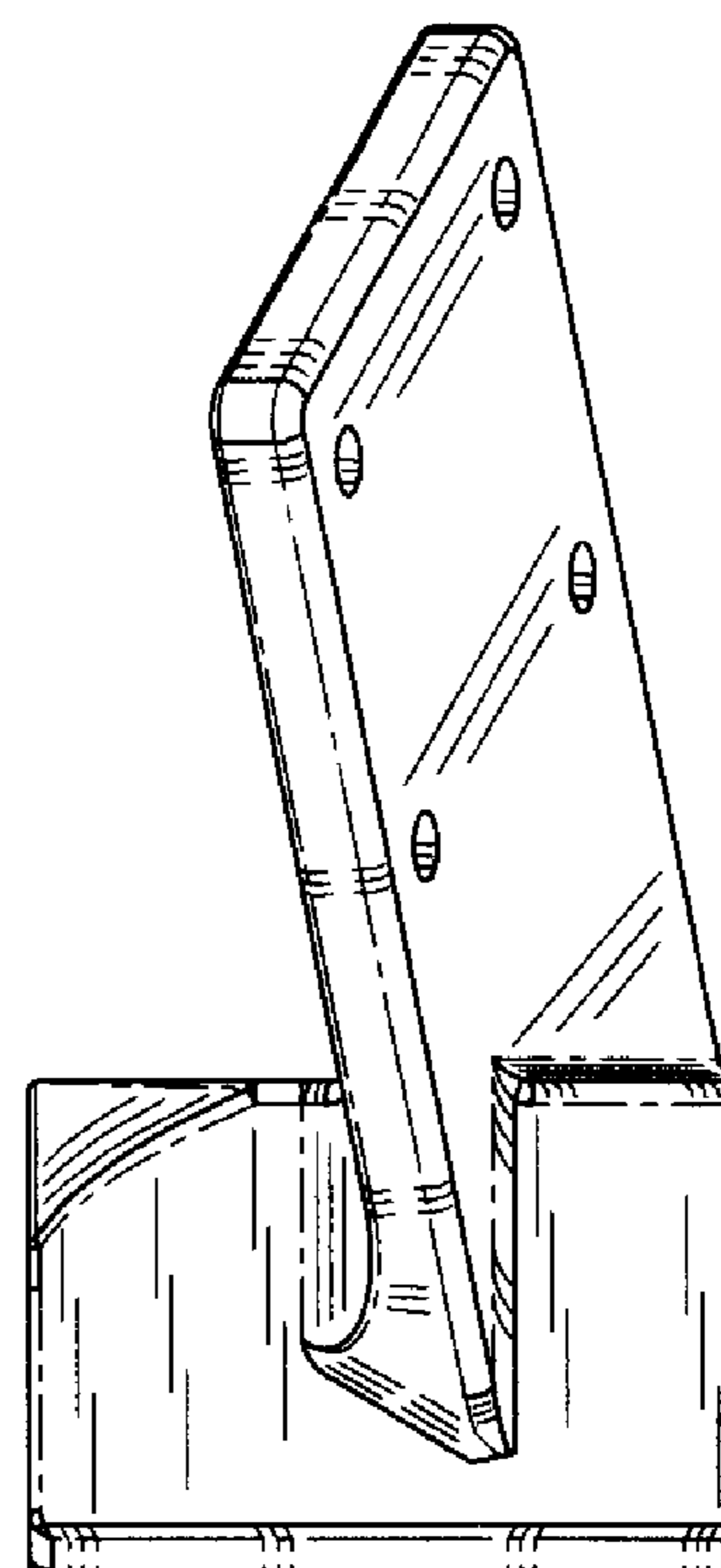
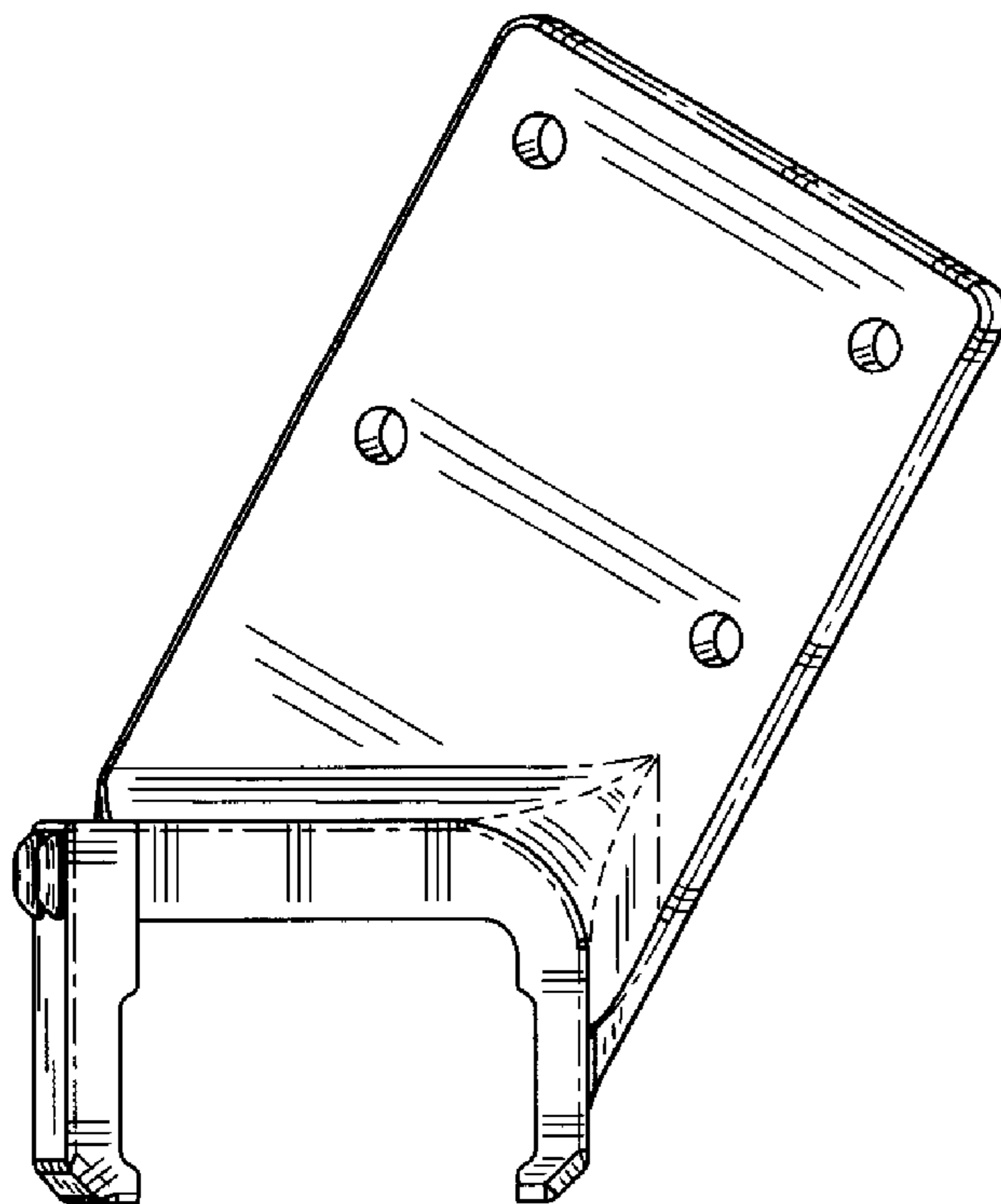
FIG. 11 is a left side view of embodiment 2.

FIG. 12 is a right side view of Embodiment 2.

FIG. 13 is a perspective view of Embodiment 1; and,

FIG. 14 is a perspective view of Embodiment 2.

1 Claim, 3 Drawing Sheets



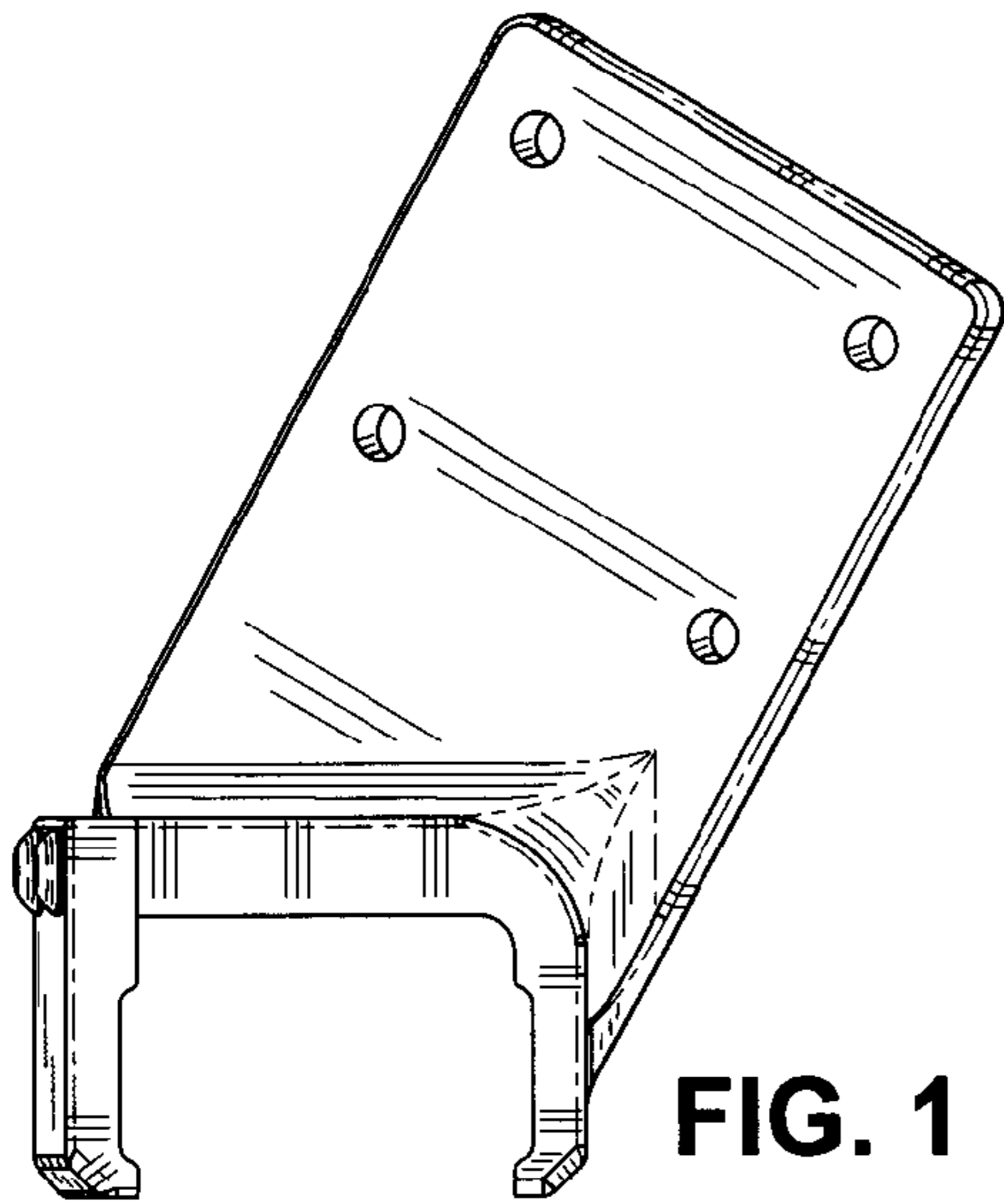


FIG. 1

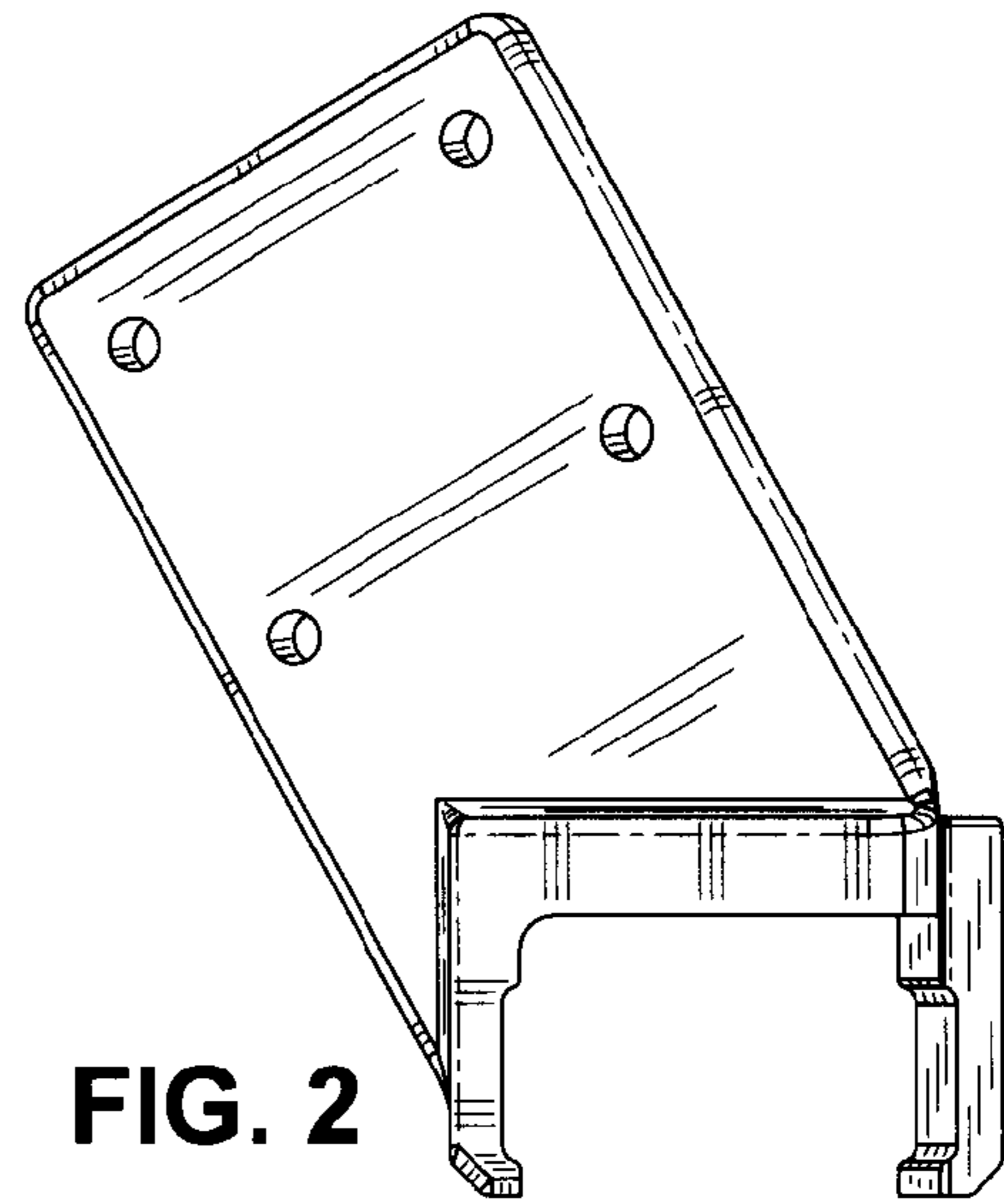


FIG. 2

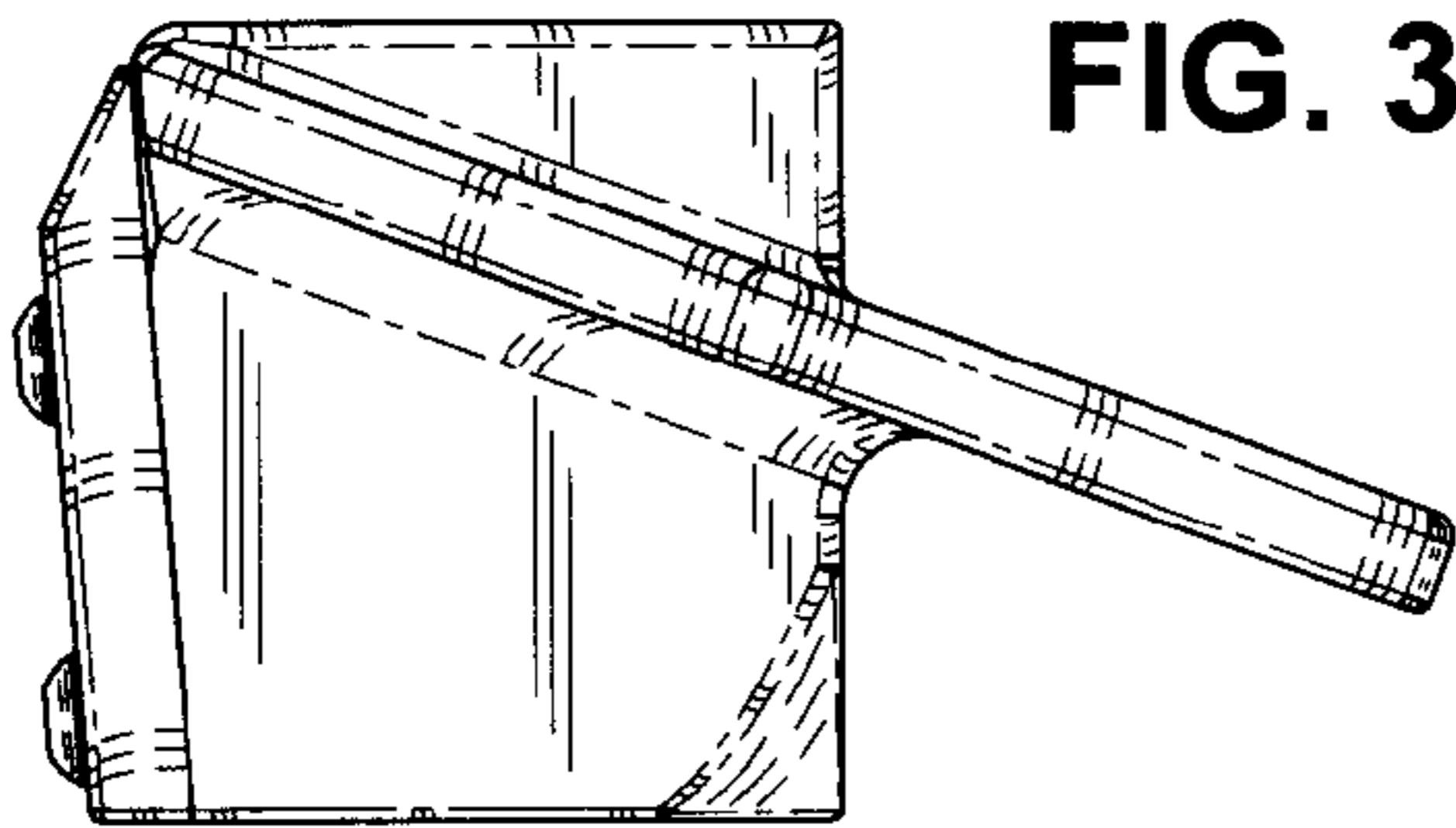


FIG. 3

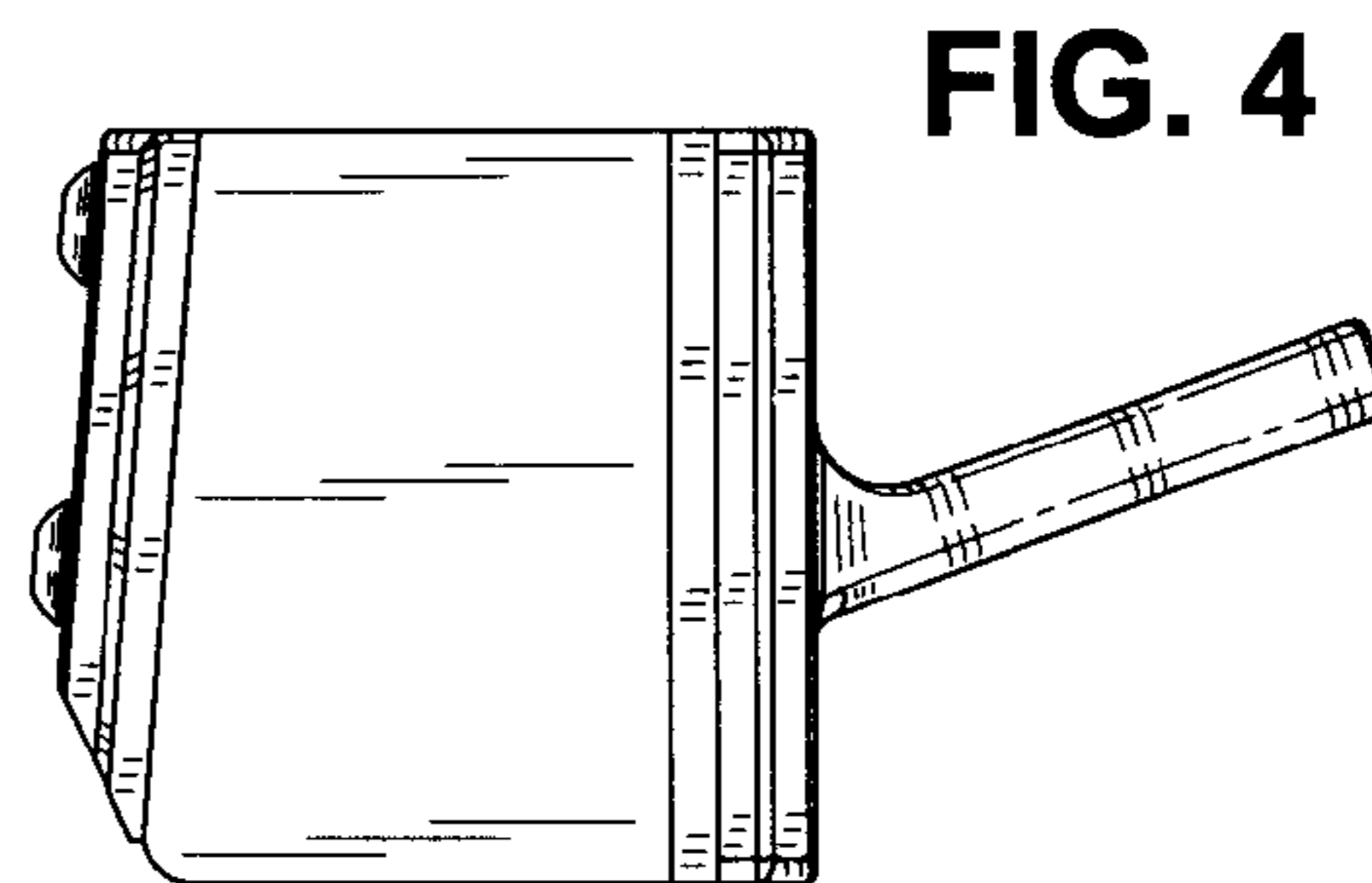


FIG. 4

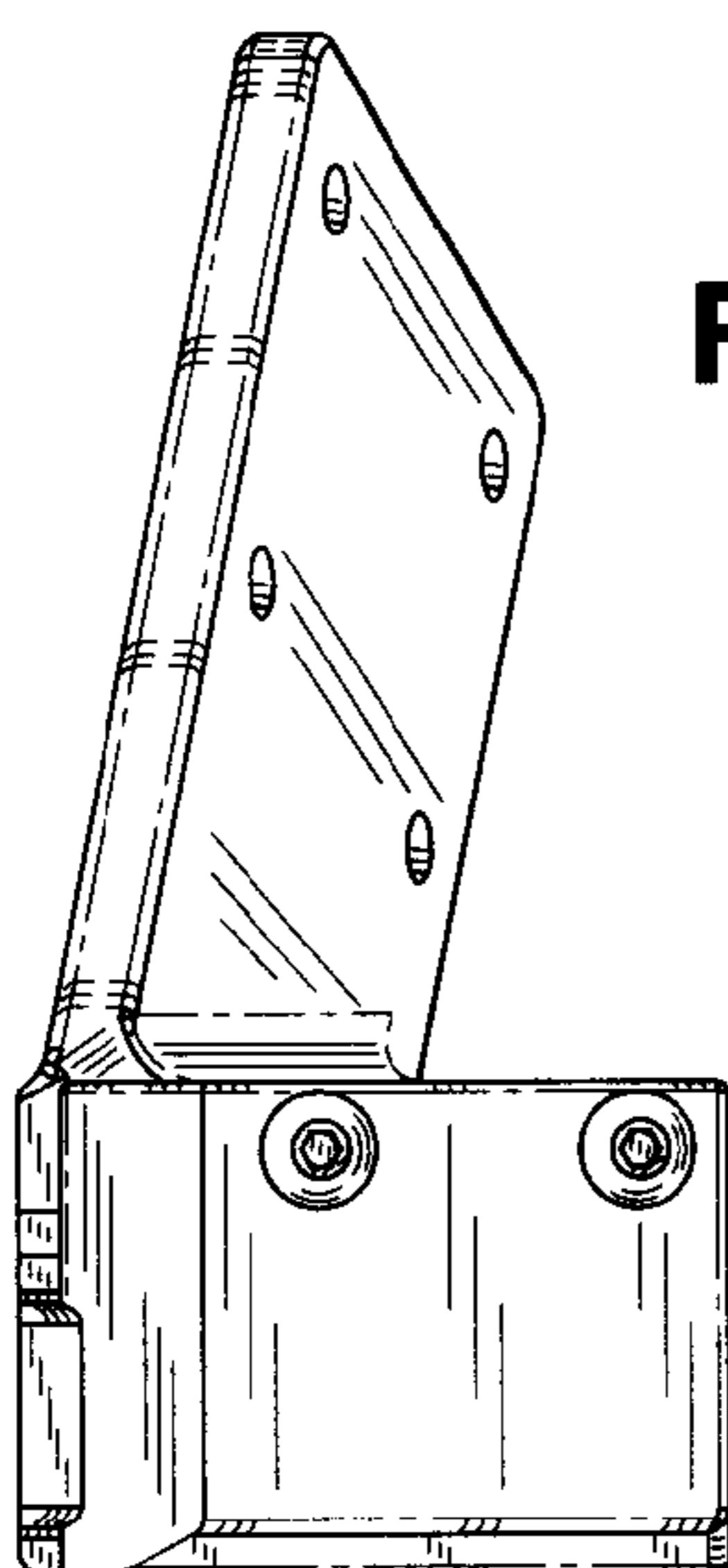


FIG. 5

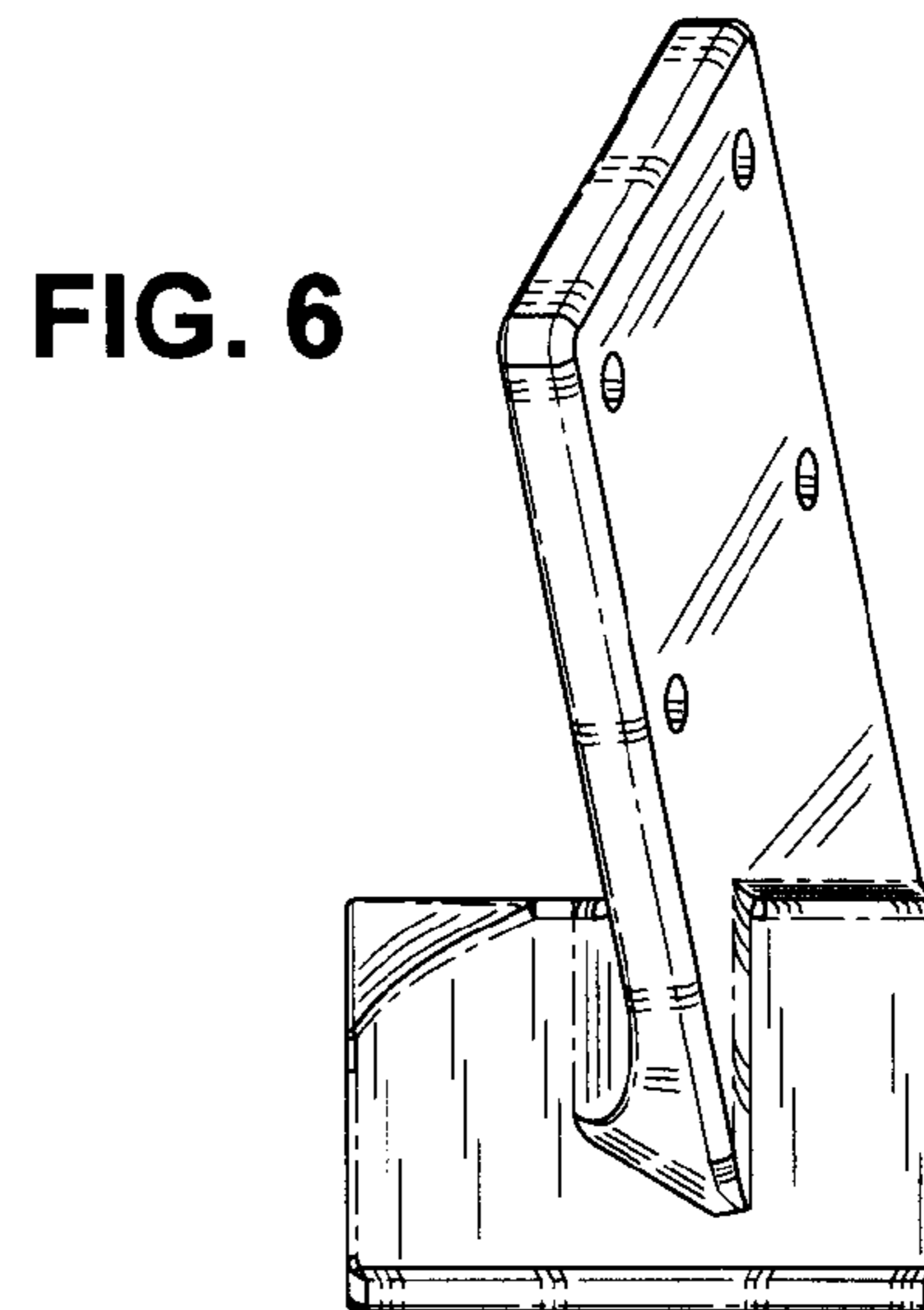


FIG. 6

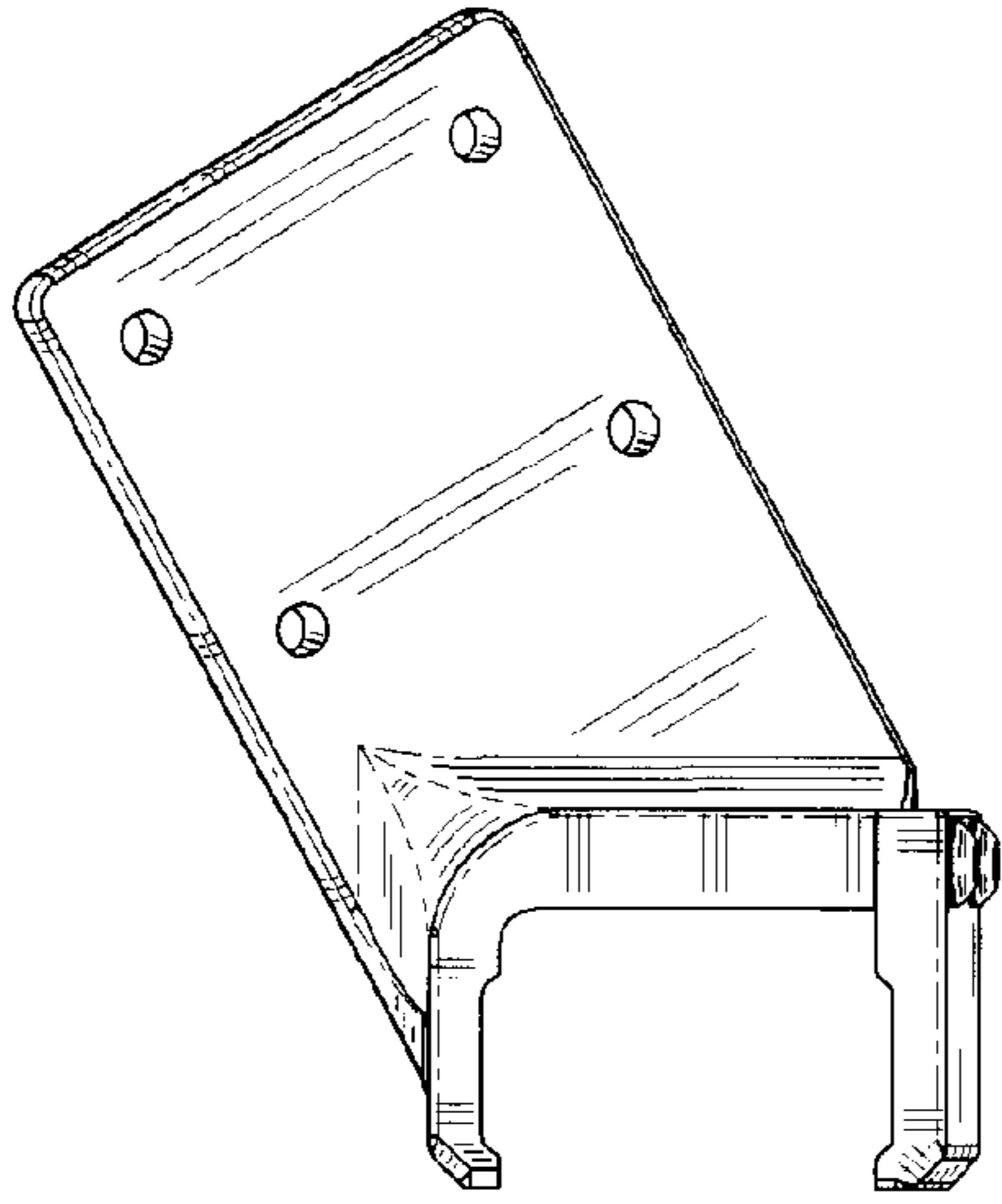


FIG. 7

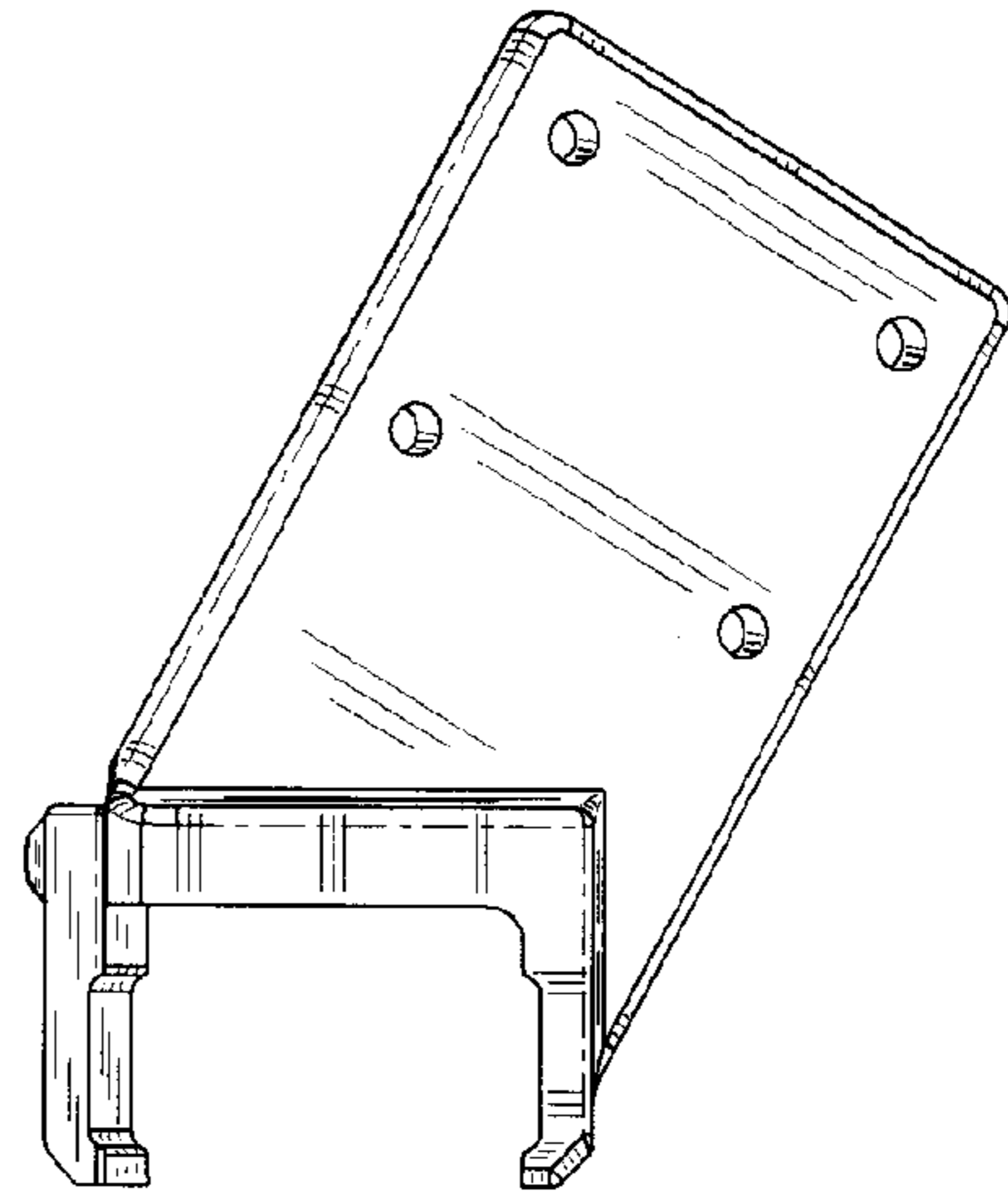


FIG. 8

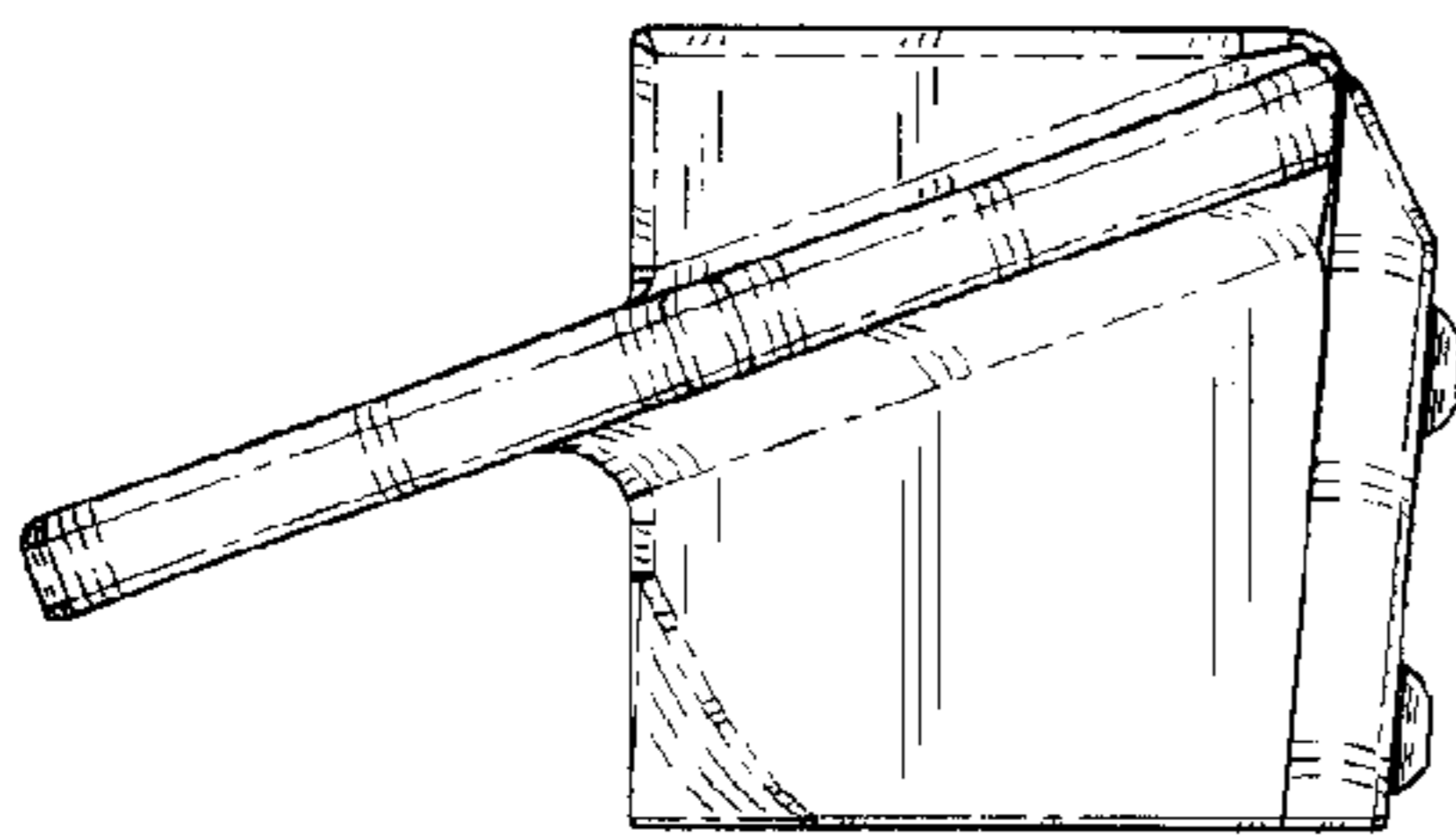


FIG. 9

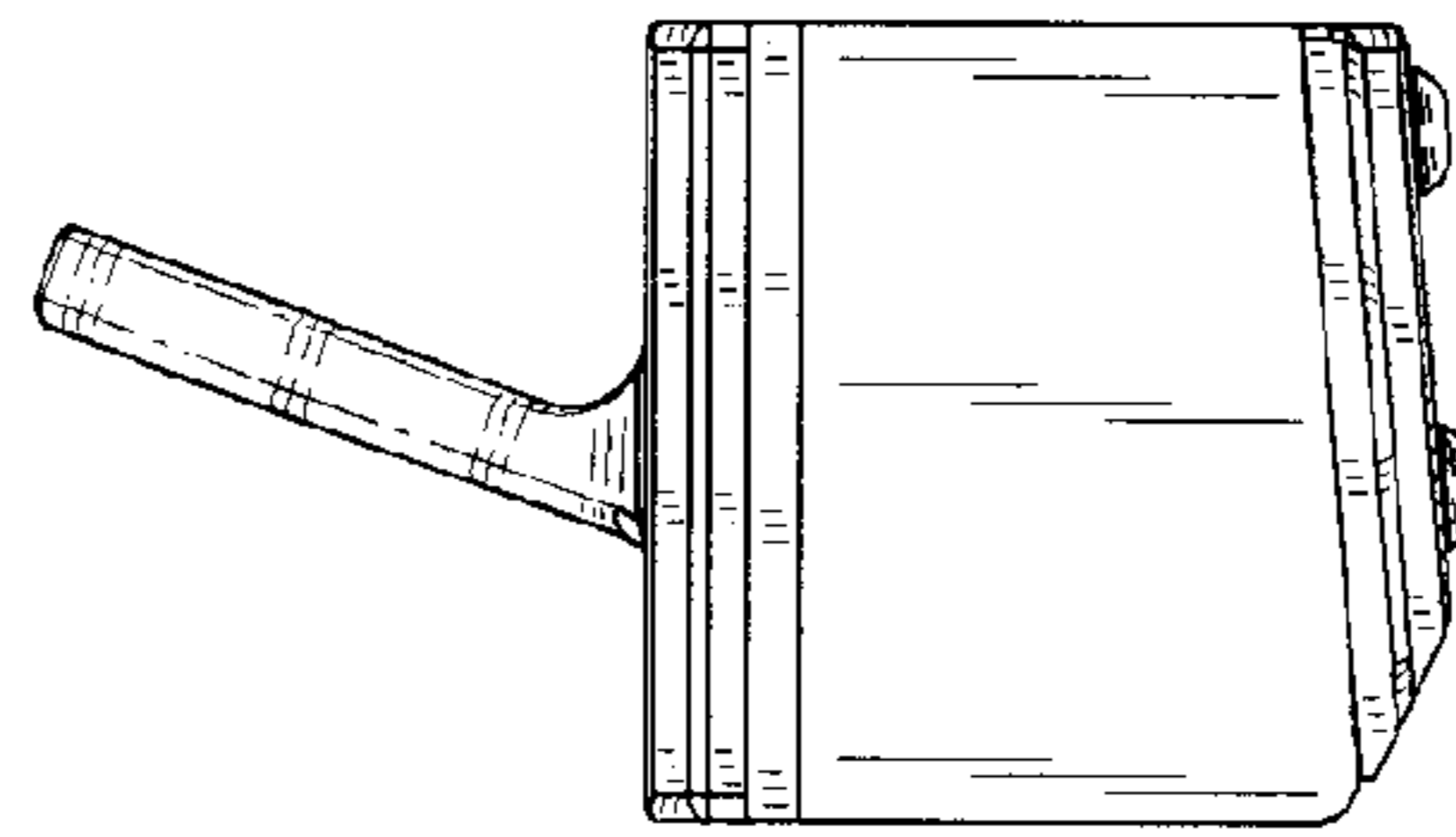


FIG. 10

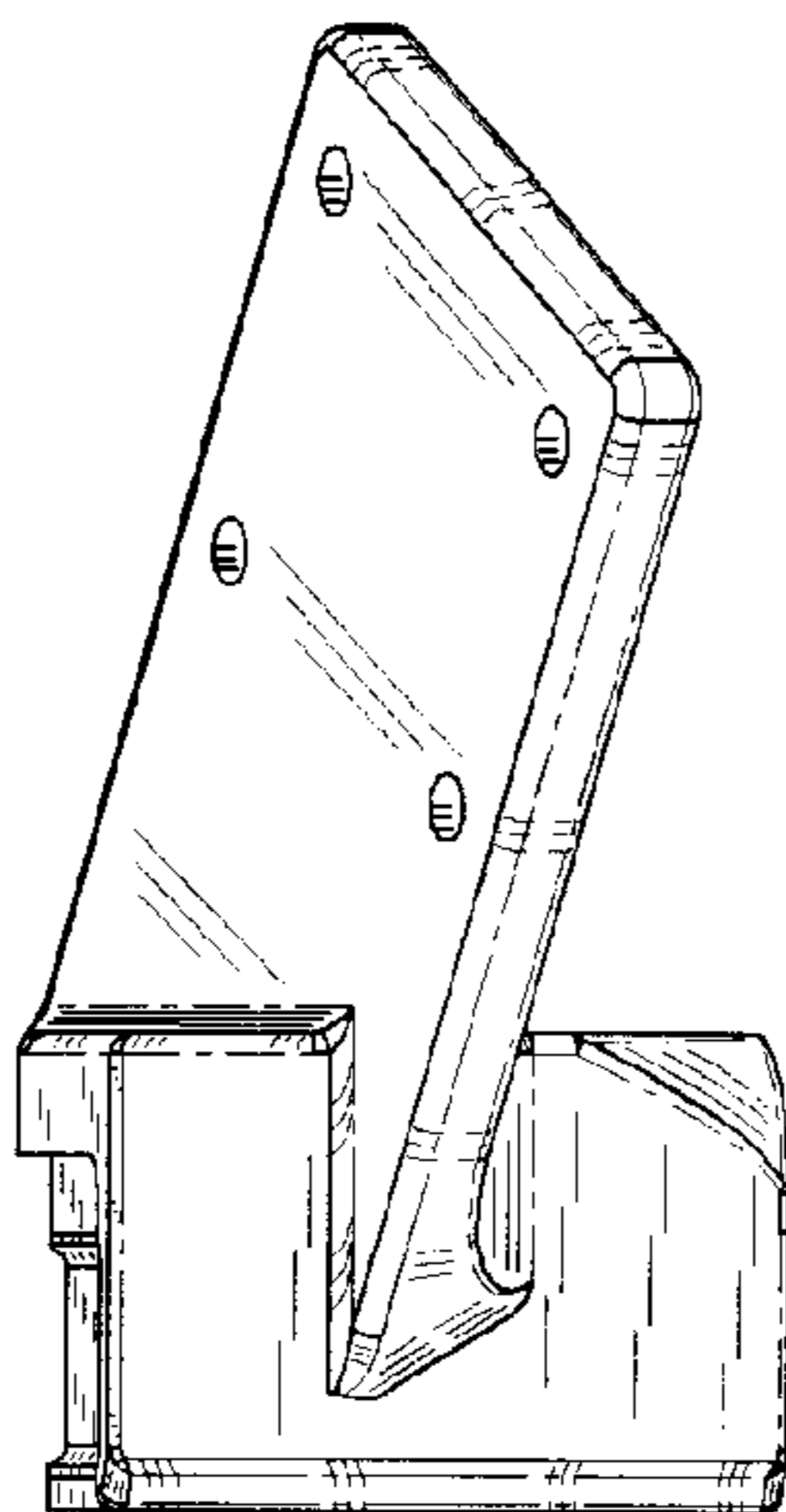


FIG. 11

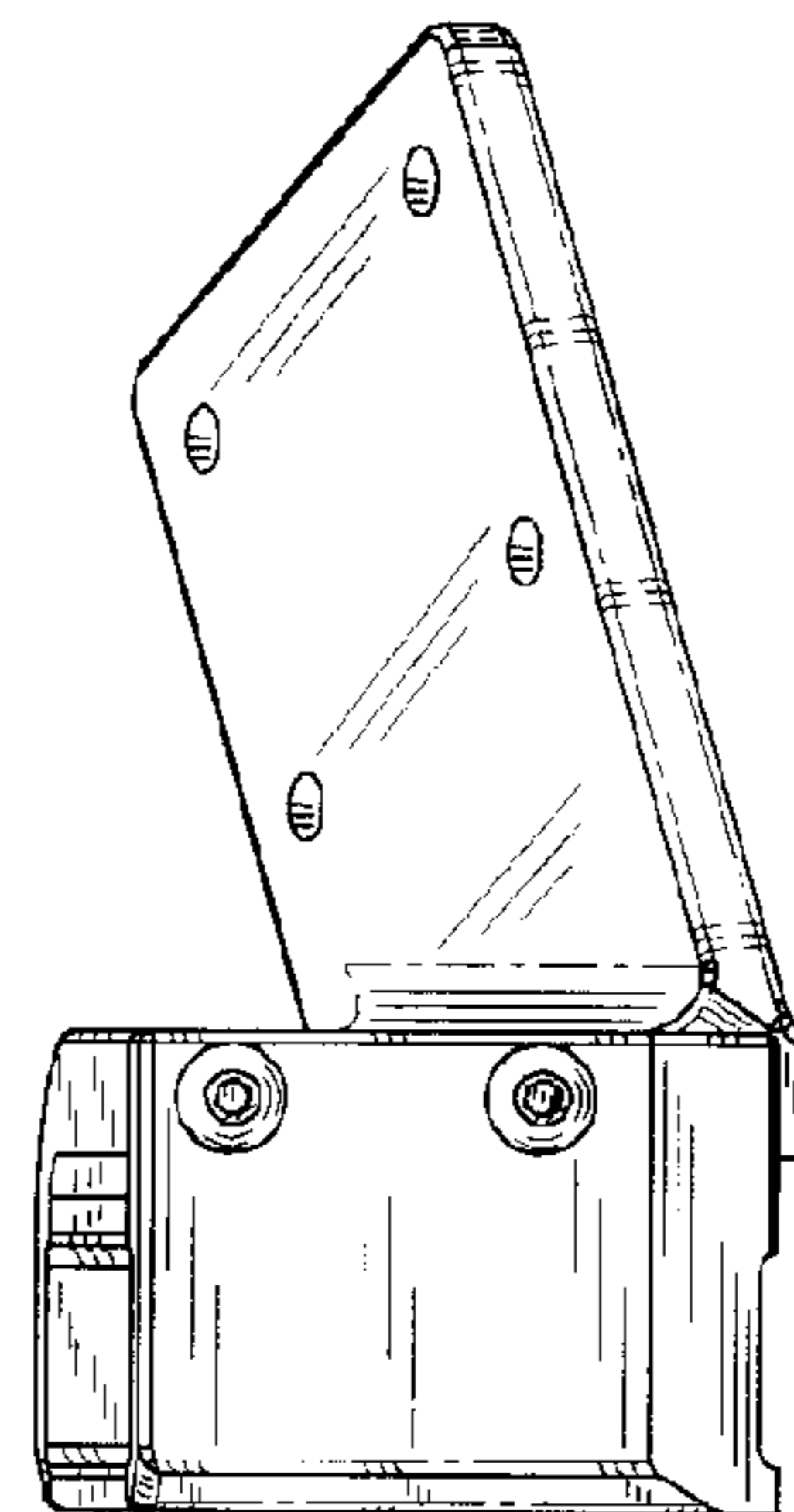


FIG. 12

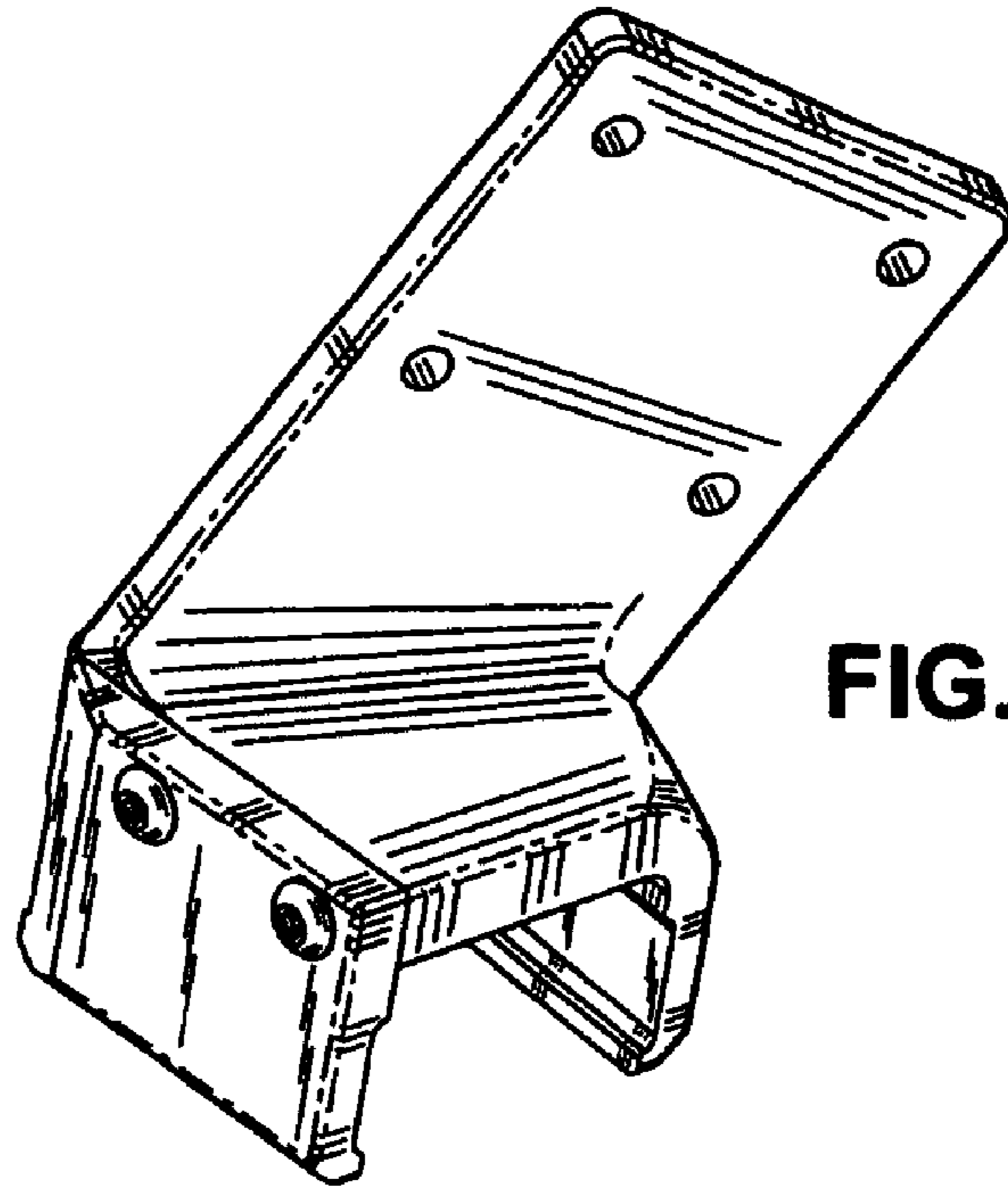


FIG. 13

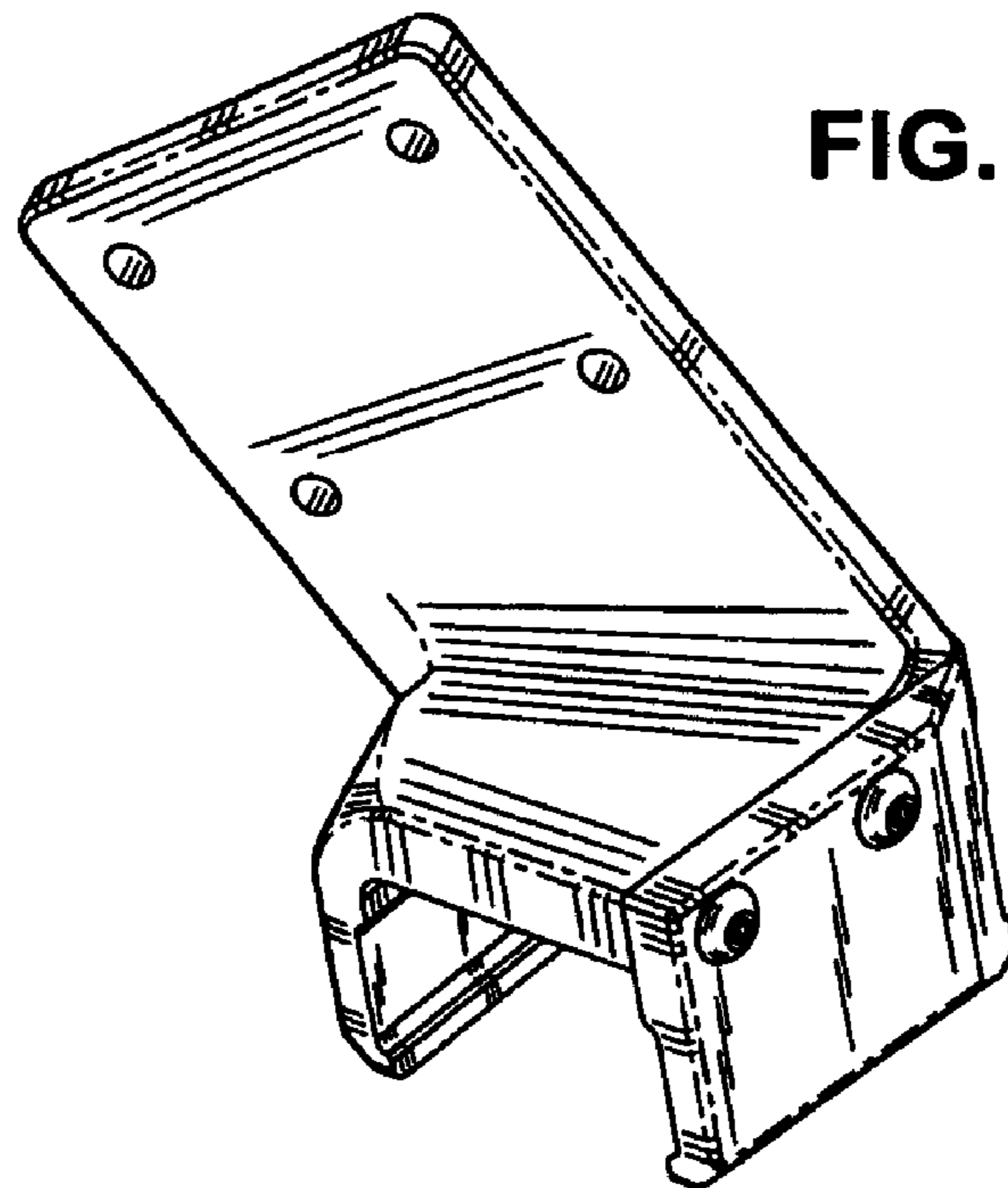


FIG. 14