

US00D535242S

(12) **United States Design Patent**
Lyew

(10) **Patent No.:** **US D535,242 S**
(45) **Date of Patent:** **** Jan. 16, 2007**

(54) **AUTOMOTIVE WHEEL**

(75) Inventor: **Christopher Lyew**, Lake Worth, FL
(US)

(73) Assignee: **Steeda Autosports, Inc.**, Pompano
Beach, FL (US)

(**) Term: **14 Years**

(21) Appl. No.: **29/258,798**

(22) Filed: **Apr. 26, 2006**

(51) **LOC (8) Cl.** **12-16**

(52) **U.S. Cl.** **D12/211**

(58) **Field of Classification Search** D12/204-213;
301/37.101, 64.101, 65
See application file for complete search history.

(56) **References Cited**

U.S. PATENT DOCUMENTS

- D206,873 S * 2/1967 Reid D12/211
- D383,429 S * 9/1997 Muzzarelli et al. D12/211
- D470,093 S * 2/2003 Frizzi D12/209
- D474,440 S * 5/2003 Oh D12/211

- D497,869 S * 11/2004 Guevara D12/211
- D502,135 S * 2/2005 Weld D12/211
- D504,098 S * 4/2005 Gallert D12/209
- D515,491 S * 2/2006 Elmitt D12/209

* cited by examiner

Primary Examiner—Stacia Cadmus

(74) *Attorney, Agent, or Firm*—McHale & Slavin, P.A.

(57) **CLAIM**

The ornamental design for an automotive wheel, as shown and described.

DESCRIPTION

FIG. 1 is a front perspective view of the automotive wheel of the instant invention;

FIG. 2 is a rear perspective view of the instant invention;

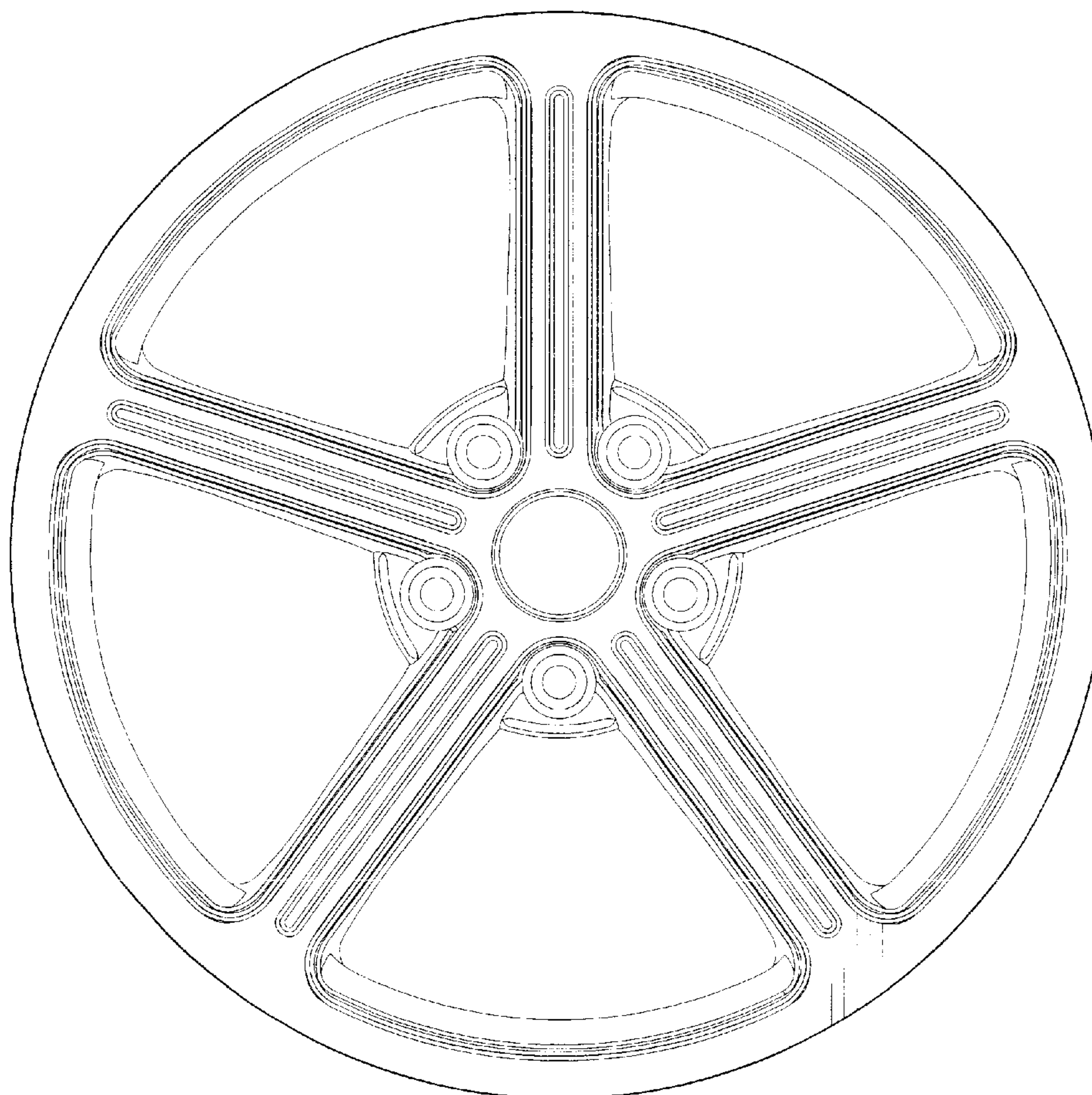
FIG. 3 is a front view of the instant invention;

FIG. 4 is a right side view of the instant invention the left side being identical thereto; and,

FIG. 5 is a rear view of the instant invention.

The broken line showing of environment is for illustrative purposes only and forms no part of the claimed design.

1 Claim, 5 Drawing Sheets



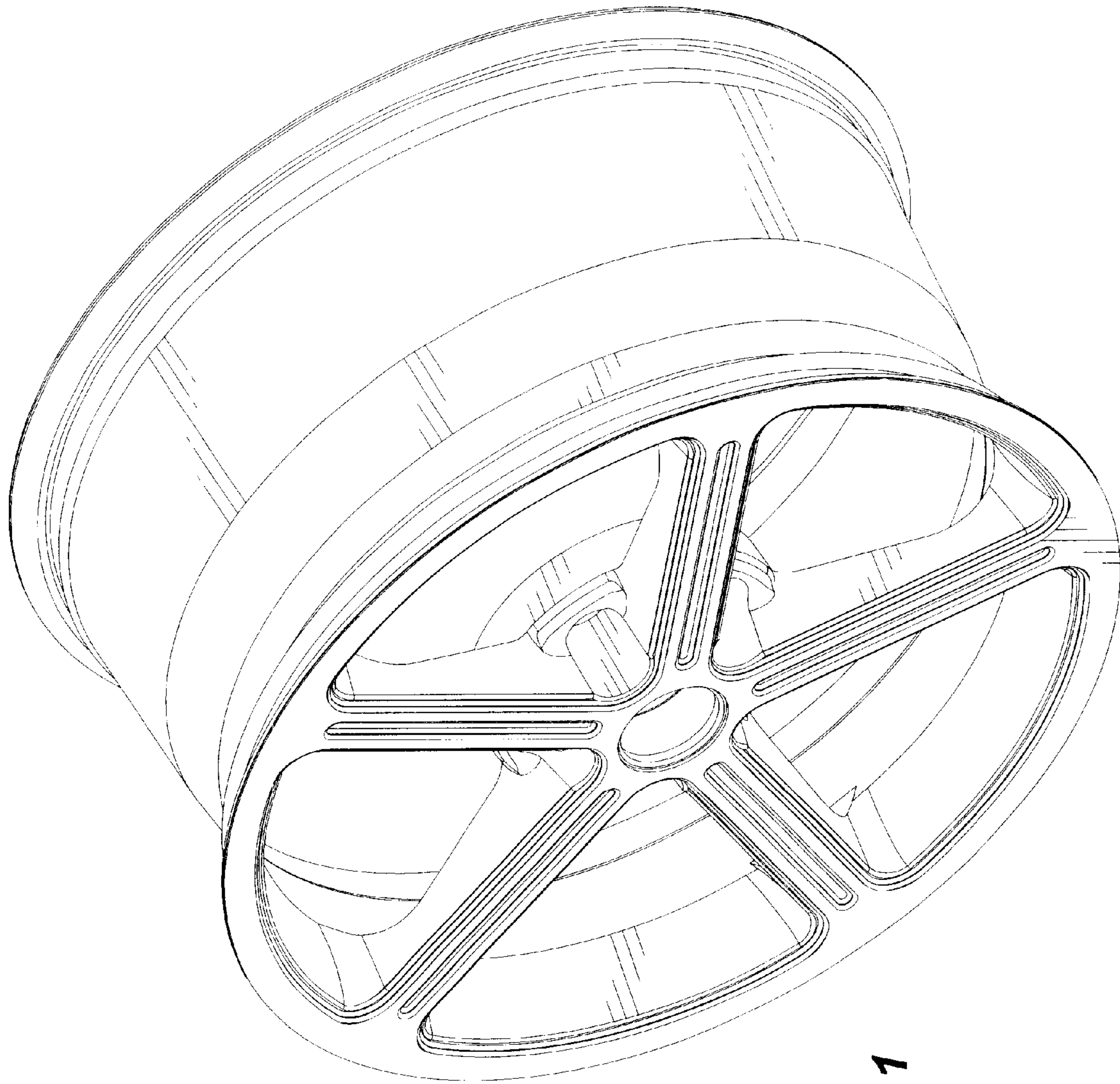


Figure 1

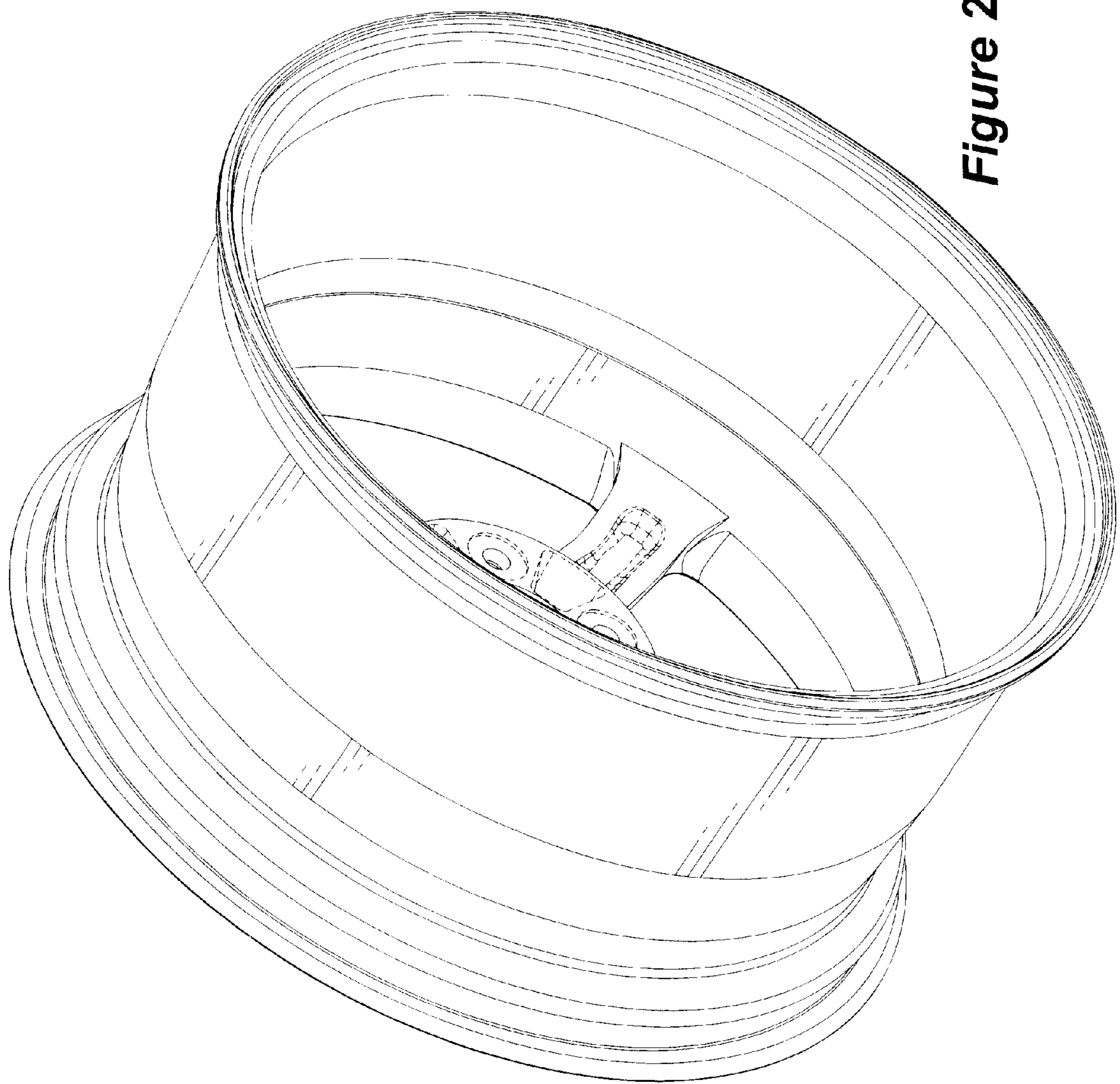


Figure 2

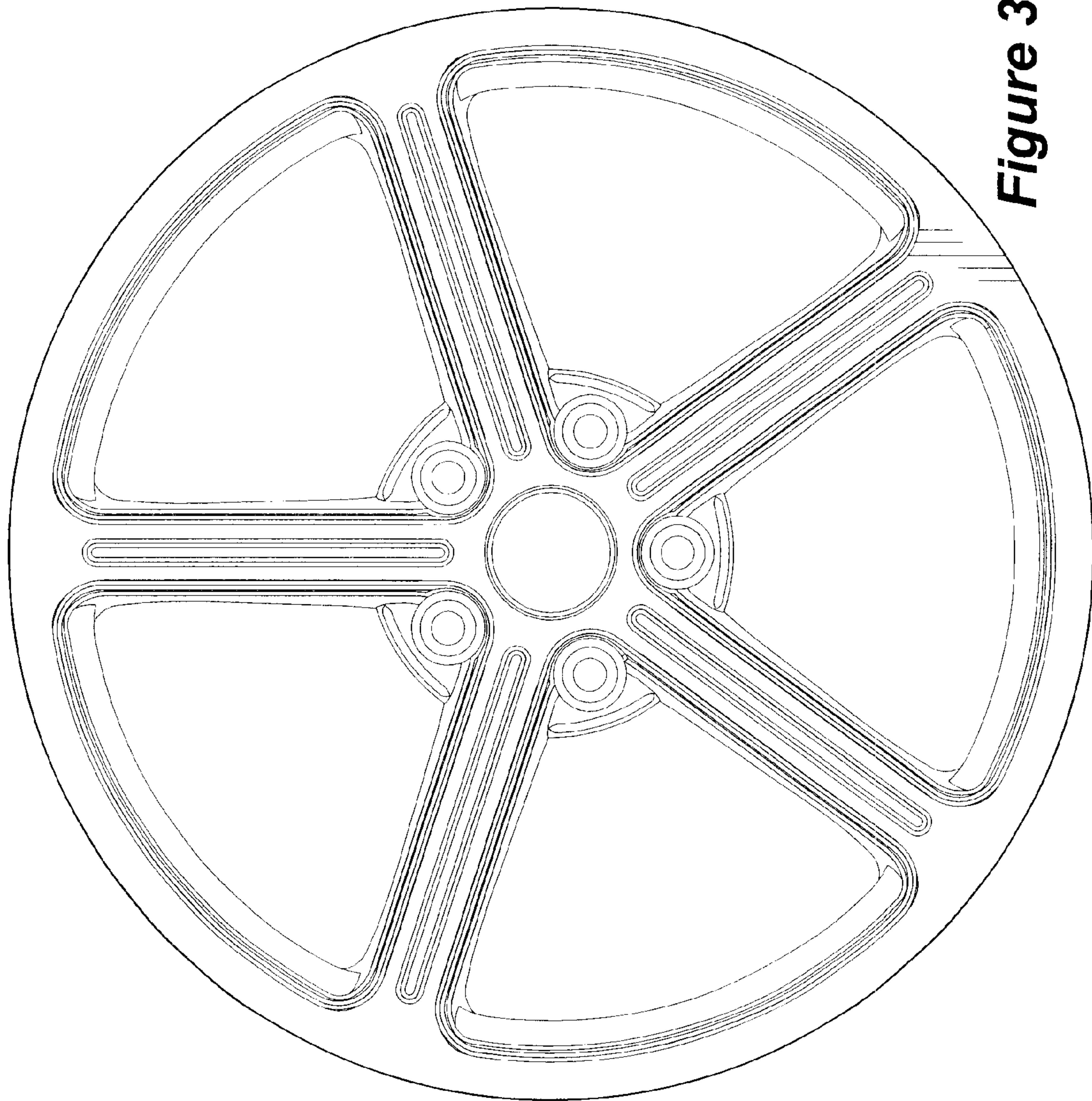


Figure 3

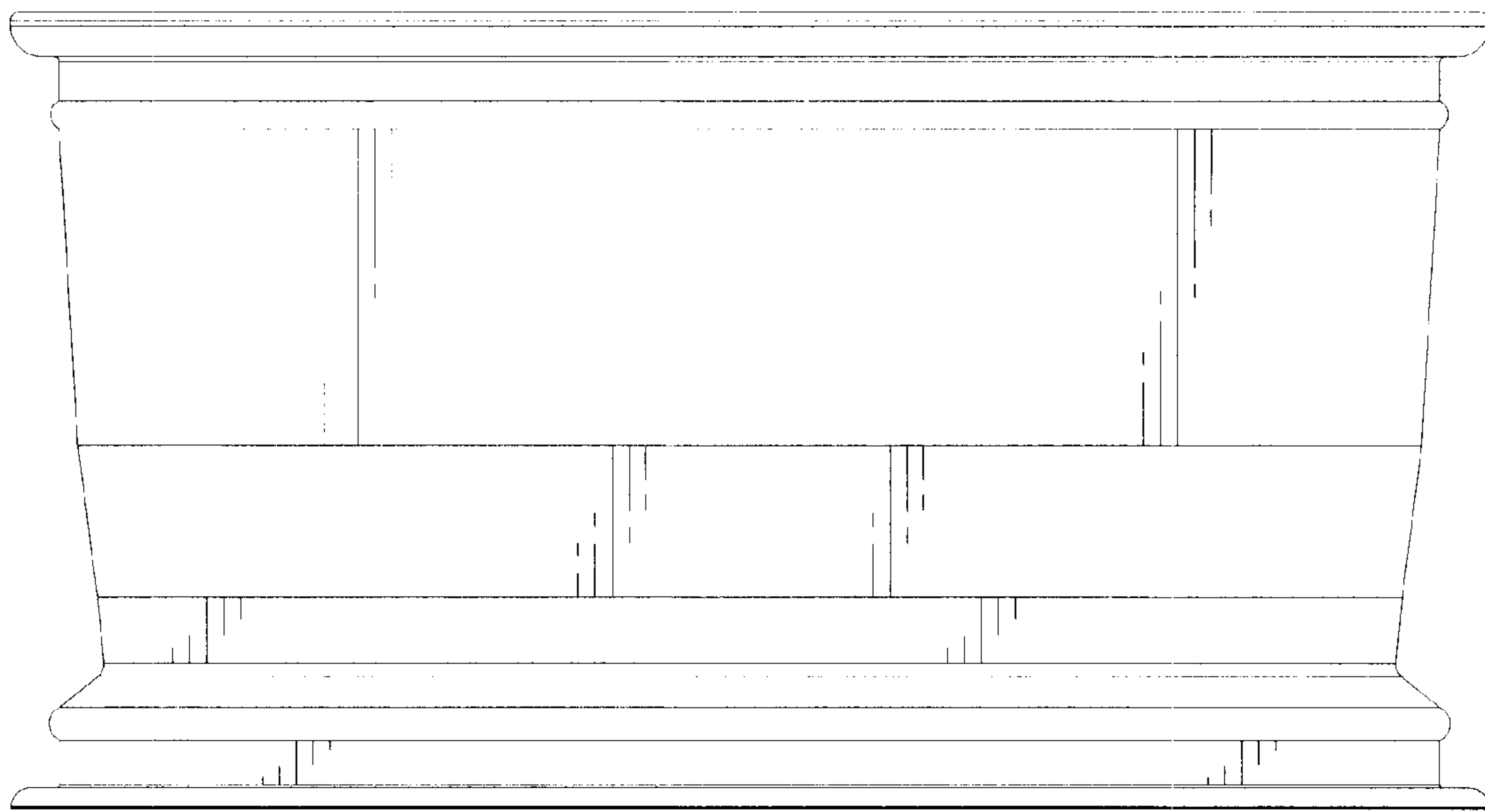


Figure 4

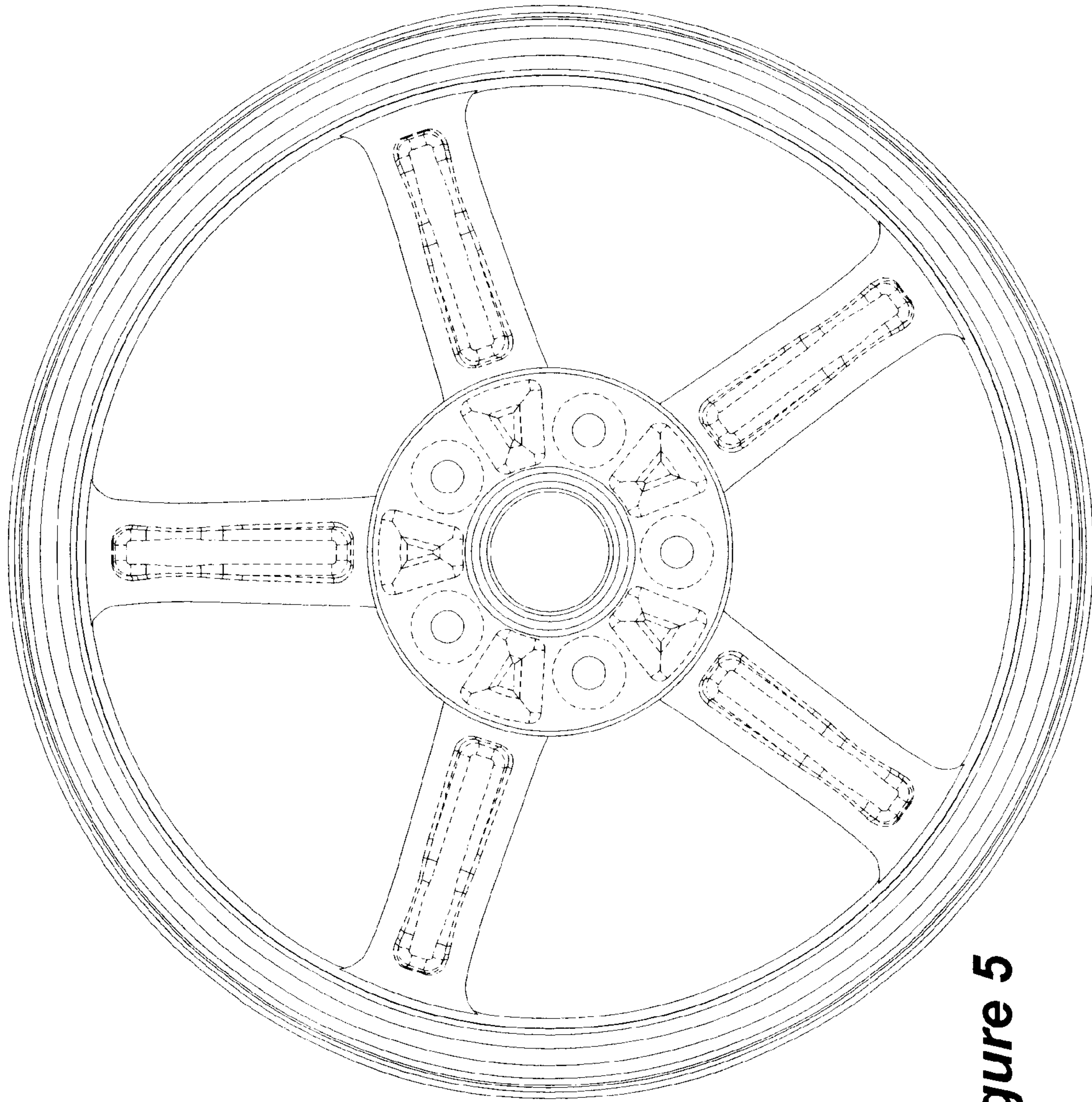


Figure 5