



US00D535240S

(12) **United States Design Patent**
Chang

(10) **Patent No.:** **US D535,240 S**

(45) **Date of Patent:** **** Jan. 16, 2007**

(54) **FRONT FACE OF A VEHICLE WHEEL**

(76) **Inventor:** **Ted S. Chang**, 10190 Harwin Dr.,
Houston, TX (US) 77036

(**) **Term:** **14 Years**

(21) **Appl. No.:** **29/252,289**

(22) **Filed:** **Jan. 20, 2006**

(51) **LOC (8) Cl.** **12-16**

(52) **U.S. Cl.** **D12/211**

(58) **Field of Classification Search** D12/204–213;
301/37.101, 64.101, 65

See application file for complete search history.

(56) **References Cited**

U.S. PATENT DOCUMENTS

D360,610 S	*	7/1995	Bernoni	D12/211
D361,976 S	*	9/1995	Echazabal et al.	D12/211
D375,073 S	*	10/1996	Theiss	D12/209
D412,479 S	*	8/1999	Sacco et al.	D12/209
D419,940 S	*	2/2000	Sacco et al.	D12/209
D452,838 S	*	1/2002	Hieke	D12/209
D461,440 S	*	8/2002	Koch	D12/211
D462,309 S	*	9/2002	Hieke	D12/211
D486,112 S	*	2/2004	Lecher	D12/211
D492,237 S	*	6/2004	Bernoni	D12/211

D510,719 S		10/2005	Noble	
D515,996 S	*	2/2006	Baumgartner D12/209
D518,764 S	*	4/2006	Looho D12/209
D520,436 S	*	5/2006	Muzzarelli D12/211

OTHER PUBLICATIONS

Comda, 2005 Calendar, December Image of 1999 Shelby Series 1, Ron Kimball Photography, for AC Collins Ford. Print of Digital Photograph, 195 Cobra R Wheel Ford Racing, Part No. M-1007-R58.

* cited by examiner

Primary Examiner—Stacia Cadmus

(74) *Attorney, Agent, or Firm*—John R. Casperson

(57) **CLAIM**

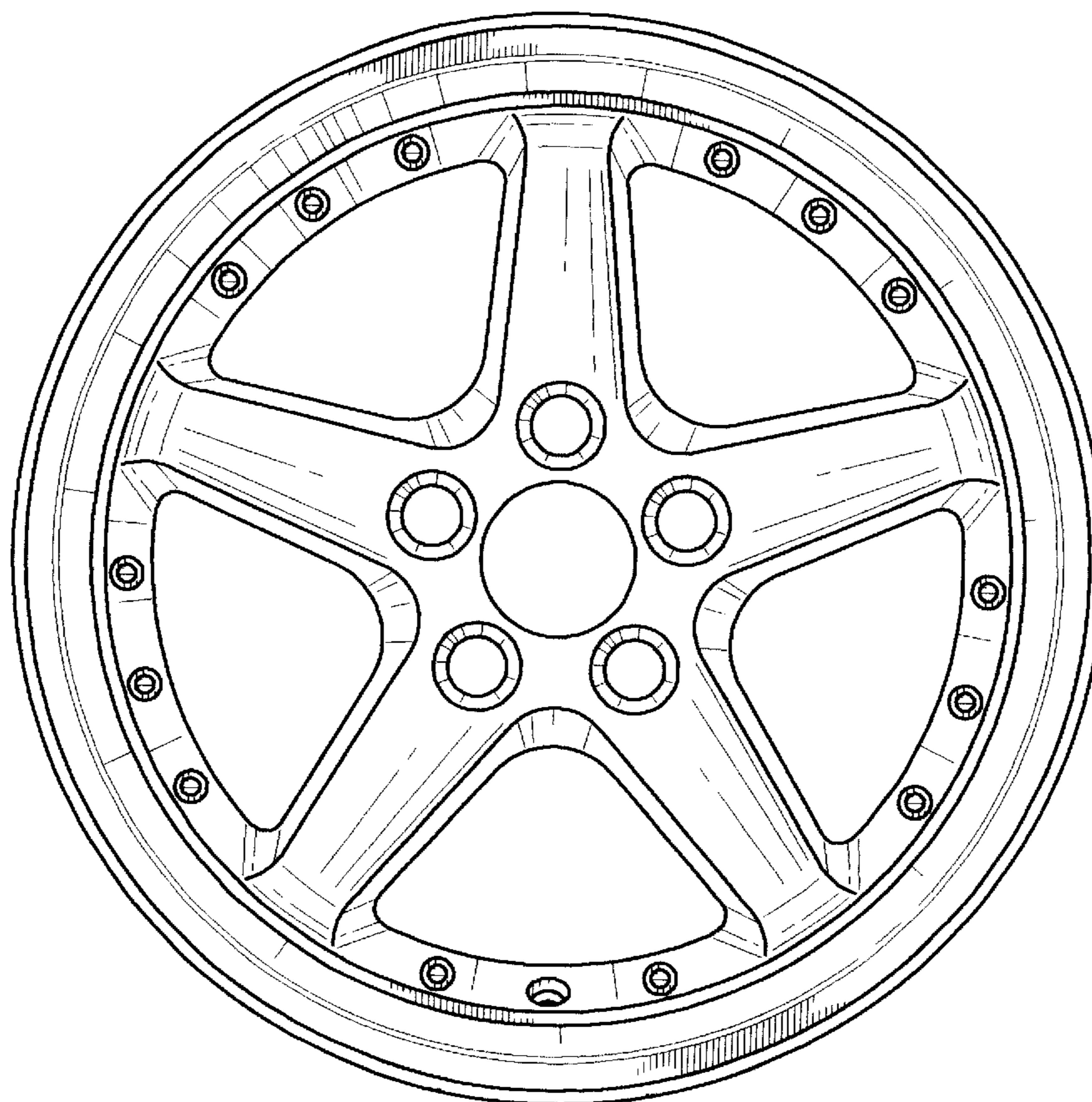
The ornamental design for a “front face of a vehicle wheel,” as shown and described.

DESCRIPTION

FIG. 1 is a perspective view of a front face of a vehicle wheel, showing my new design; and, FIG. 2 is a front view thereof.

The broken line showing of environment is for illustrative purposes only and forms no part of the claimed design.

1 Claim, 2 Drawing Sheets



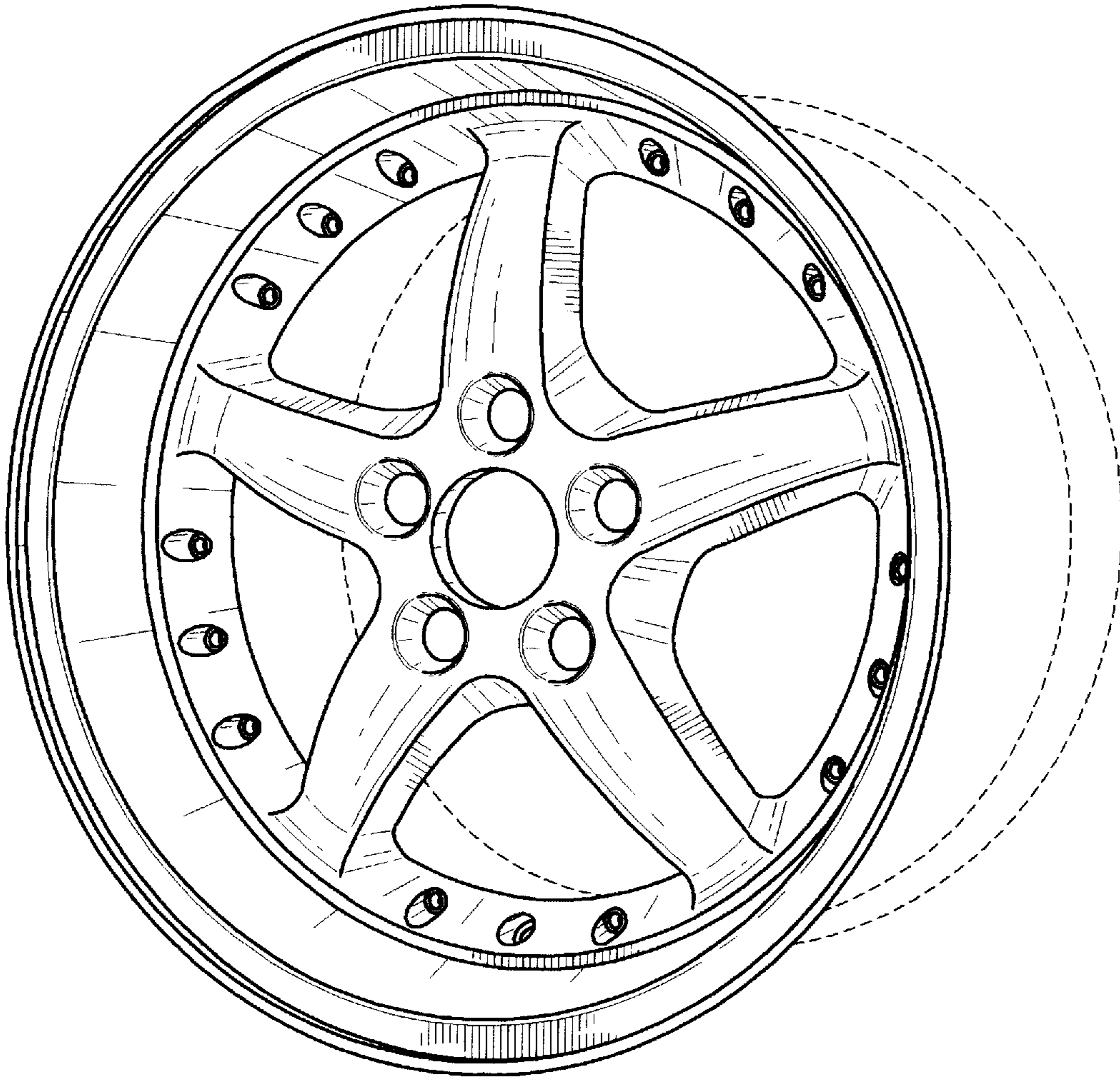


FIG. 1

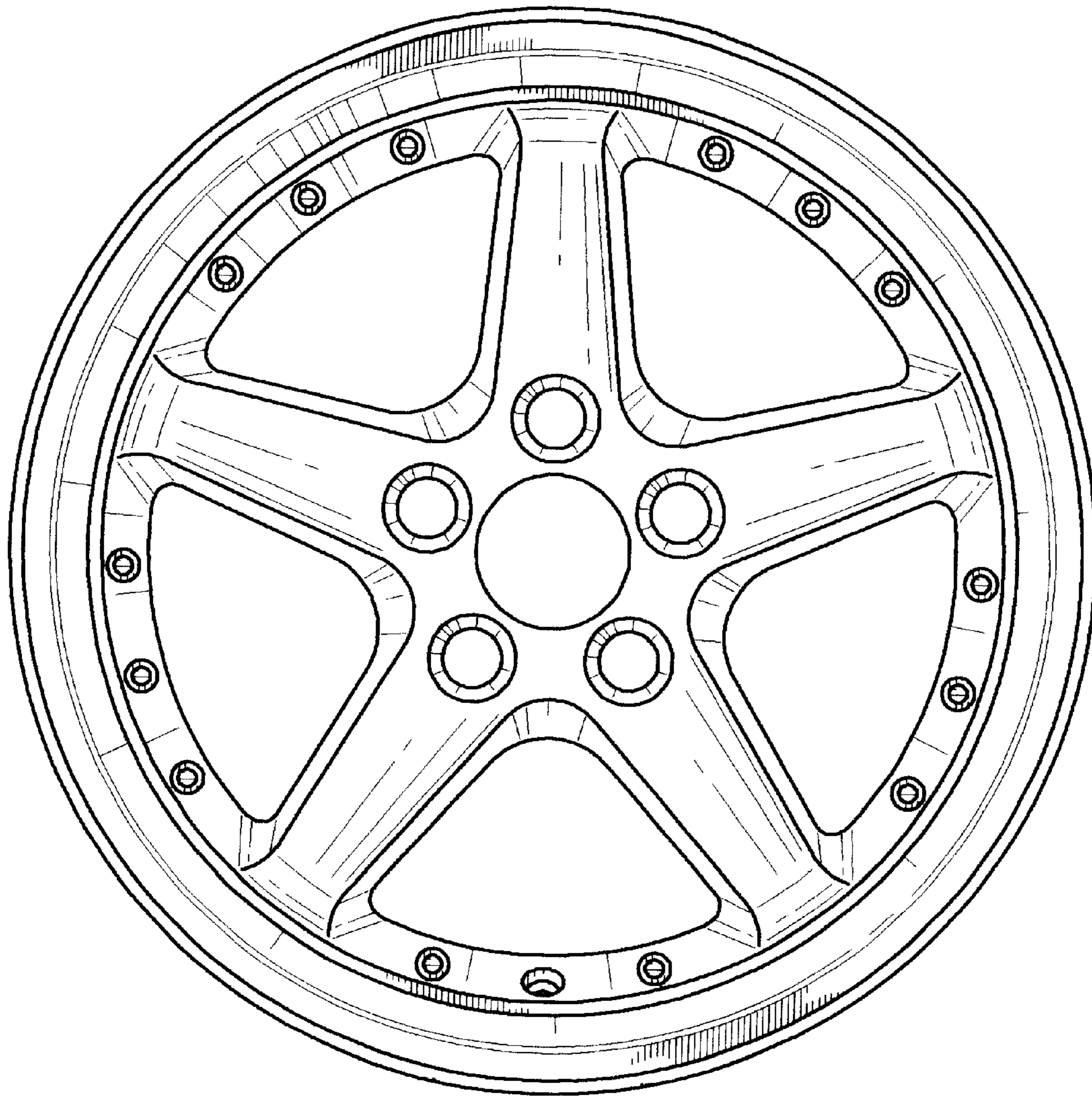


FIG. 2