



US00D535239S

(12) **United States Design Patent**
Hovind et al.

(10) **Patent No.:** **US D535,239 S**
(45) **Date of Patent:** **** Jan. 16, 2007**

(54) **VEHICLE WHEEL**

(75) Inventors: **Steven H Hovind**, Bellevue, WA (US);
Wallace A Peltola, Sammamish, WA
(US)

(73) Assignee: **PACCAR Inc**, Bellevue, WA (US)

(**) Term: **14 Years**

(21) Appl. No.: **29/262,495**

(22) Filed: **Jun. 30, 2006**

(51) **LOC (8) Cl.** **12-16**

(52) **U.S. Cl.** **D12/209**

(58) **Field of Classification Search** D12/204-213;
301/37.101, 64.101, 65
See application file for complete search history.

(56) **References Cited**

U.S. PATENT DOCUMENTS

D440,535 S	*	4/2001	Penzes	D12/211
D454,531 S	*	3/2002	Amatino	D12/211
D480,677 S	*	10/2003	Atwell	D12/211
D491,128 S	*	6/2004	Hall et al.	D12/211
D494,120 S	*	8/2004	Pfeiffer	D12/209
D504,099 S	*	4/2005	Boyer	D12/211
D506,718 S	*	6/2005	Szavits	D12/209

D510,307 S	*	10/2005	Howes	D12/209
D512,360 S	*	12/2005	Boyer	D12/211
D512,675 S	*	12/2005	Nagashima	D12/209
D523,387 S	*	6/2006	Pfeiffer	D12/211

* cited by examiner

Primary Examiner—Stacia Cadmus

(74) *Attorney, Agent, or Firm*—Christensen O'Connor
Johnson Kindness PLLC

(57) **CLAIM**

We claim the ornamental design for a vehicle wheel, as shown and described.

DESCRIPTION

FIG. 1 is a front perspective view of the vehicle wheel showing our new design;

FIG. 2 is a rear perspective view thereof;

FIG. 3 is a front view thereof;

FIG. 4 is a rear view thereof; and

FIG. 5 is a left side view thereof;

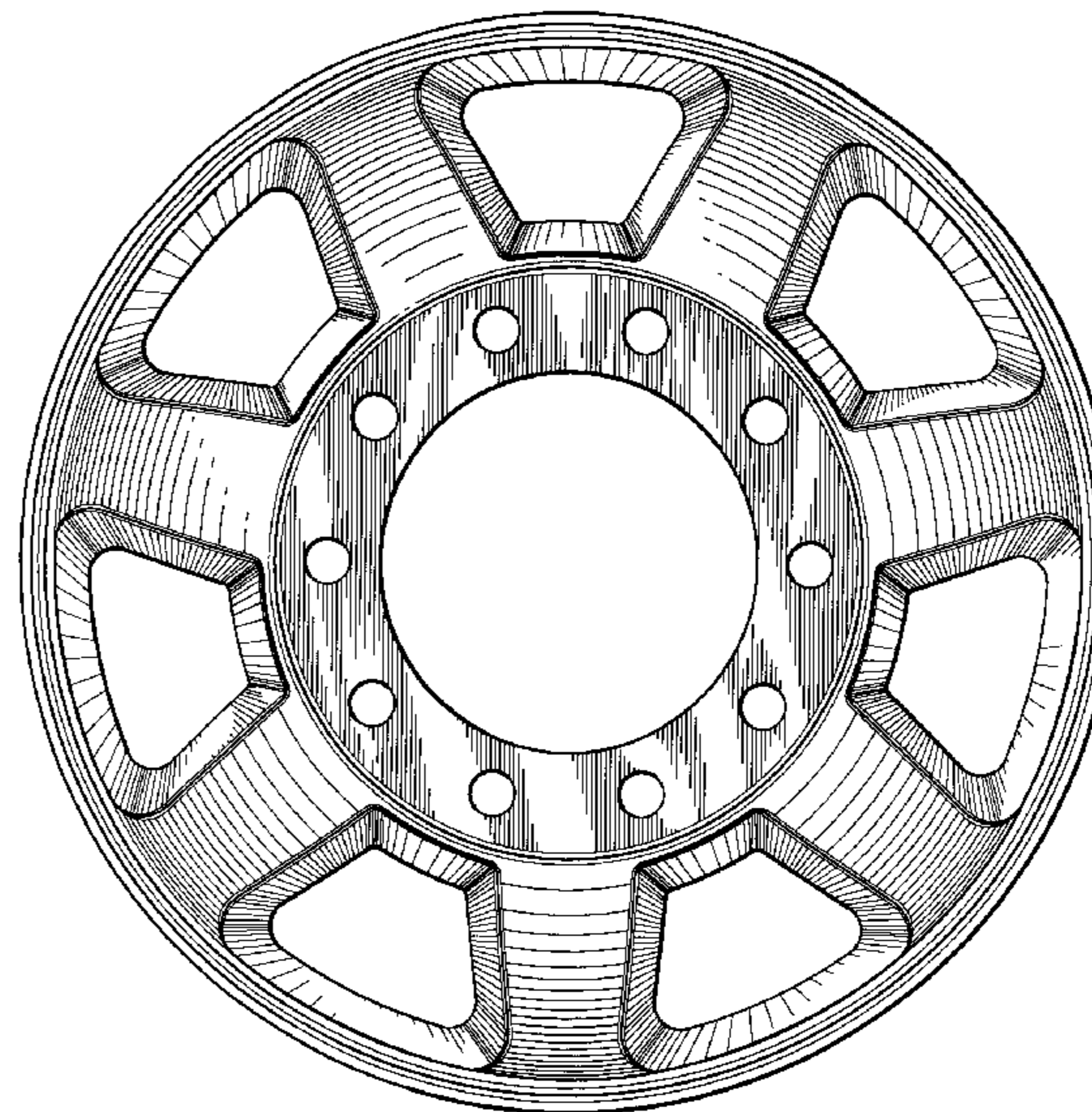
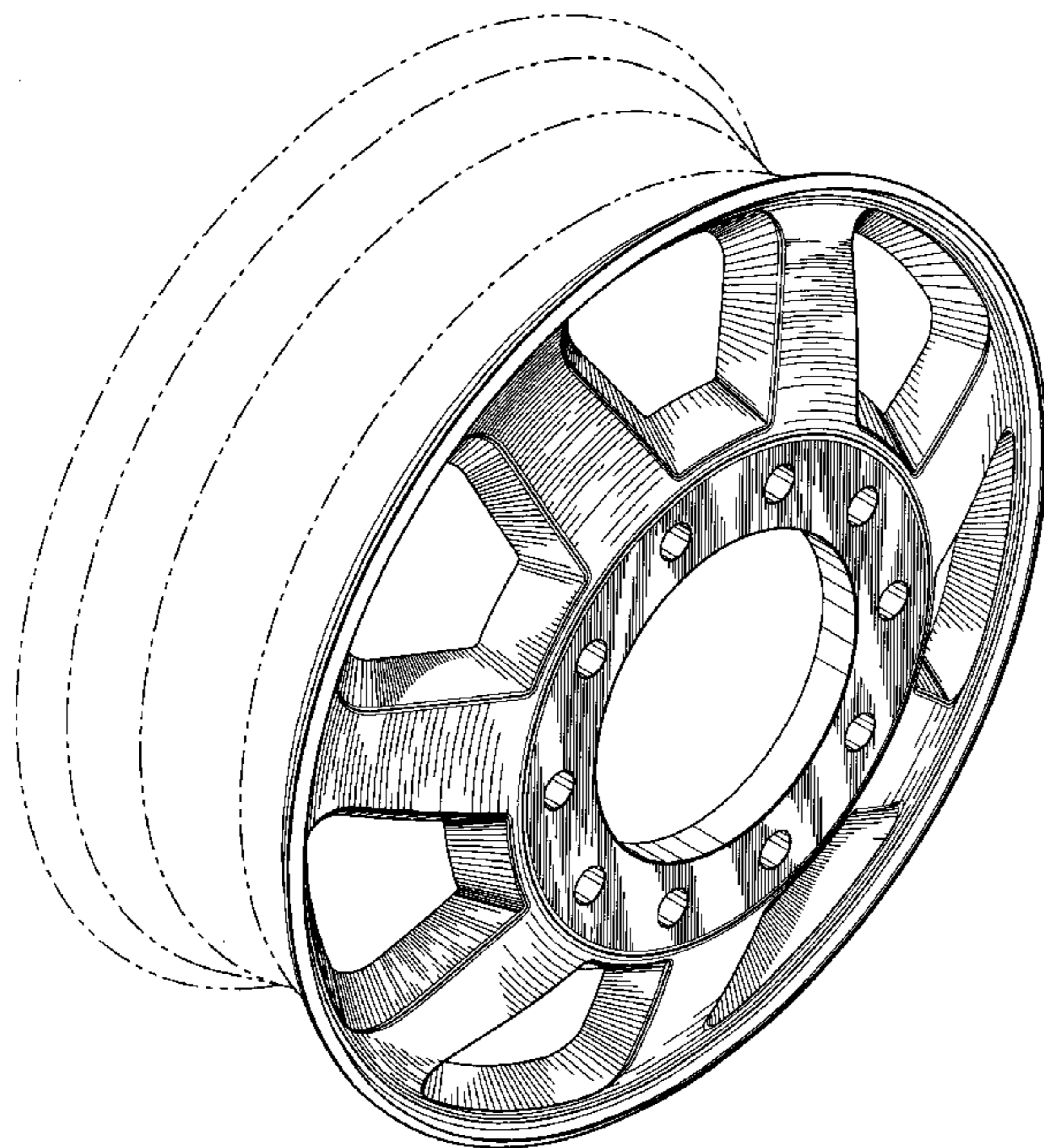
FIG. 6 is a right side view thereof;

FIG. 7 is a top view thereof; and,

FIG. 8 is a bottom view thereof.

The broken lines showing environment are for illustrative purposes only and form no part of the claimed design.

1 Claim, 6 Drawing Sheets



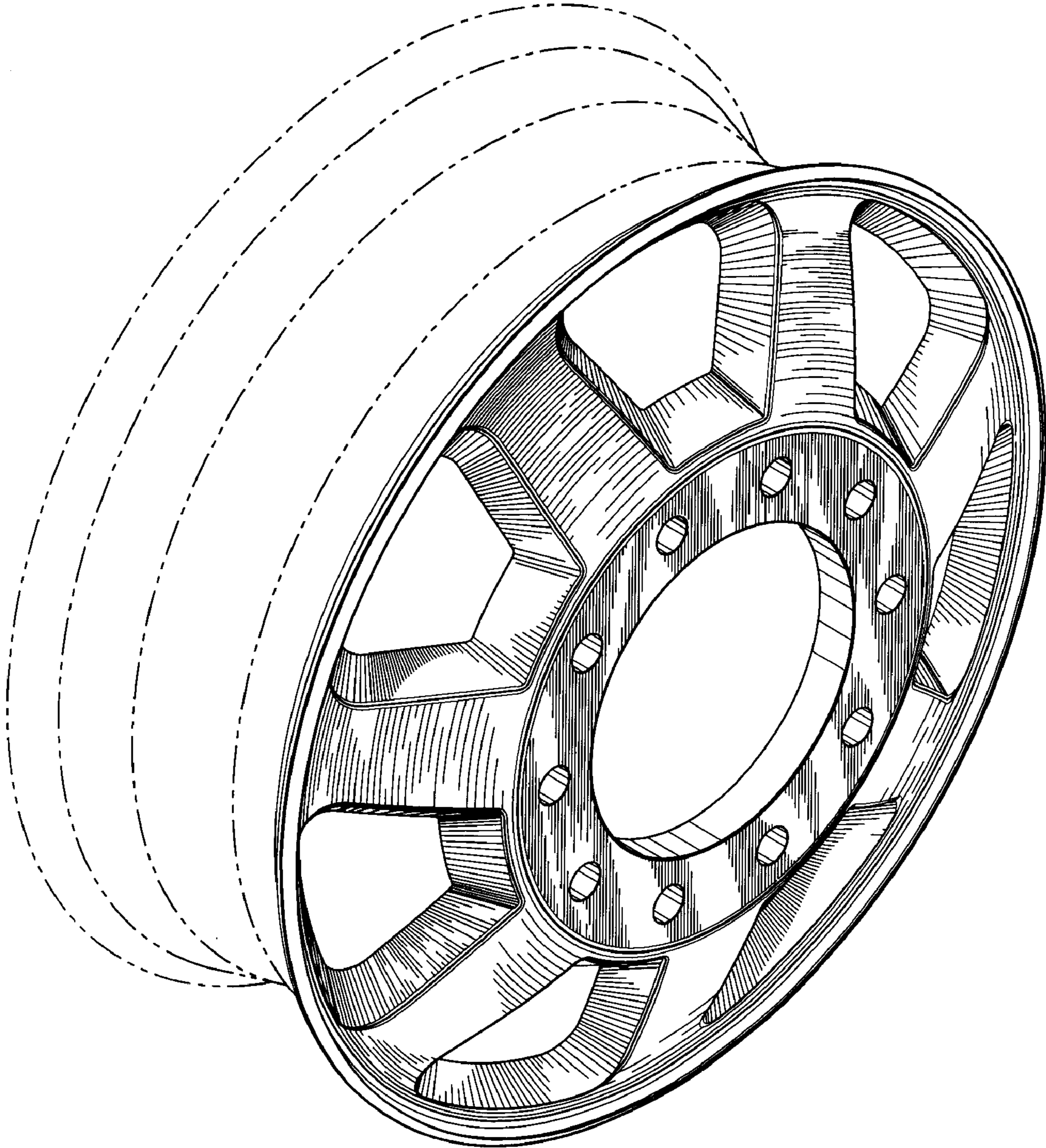


Fig. 1.

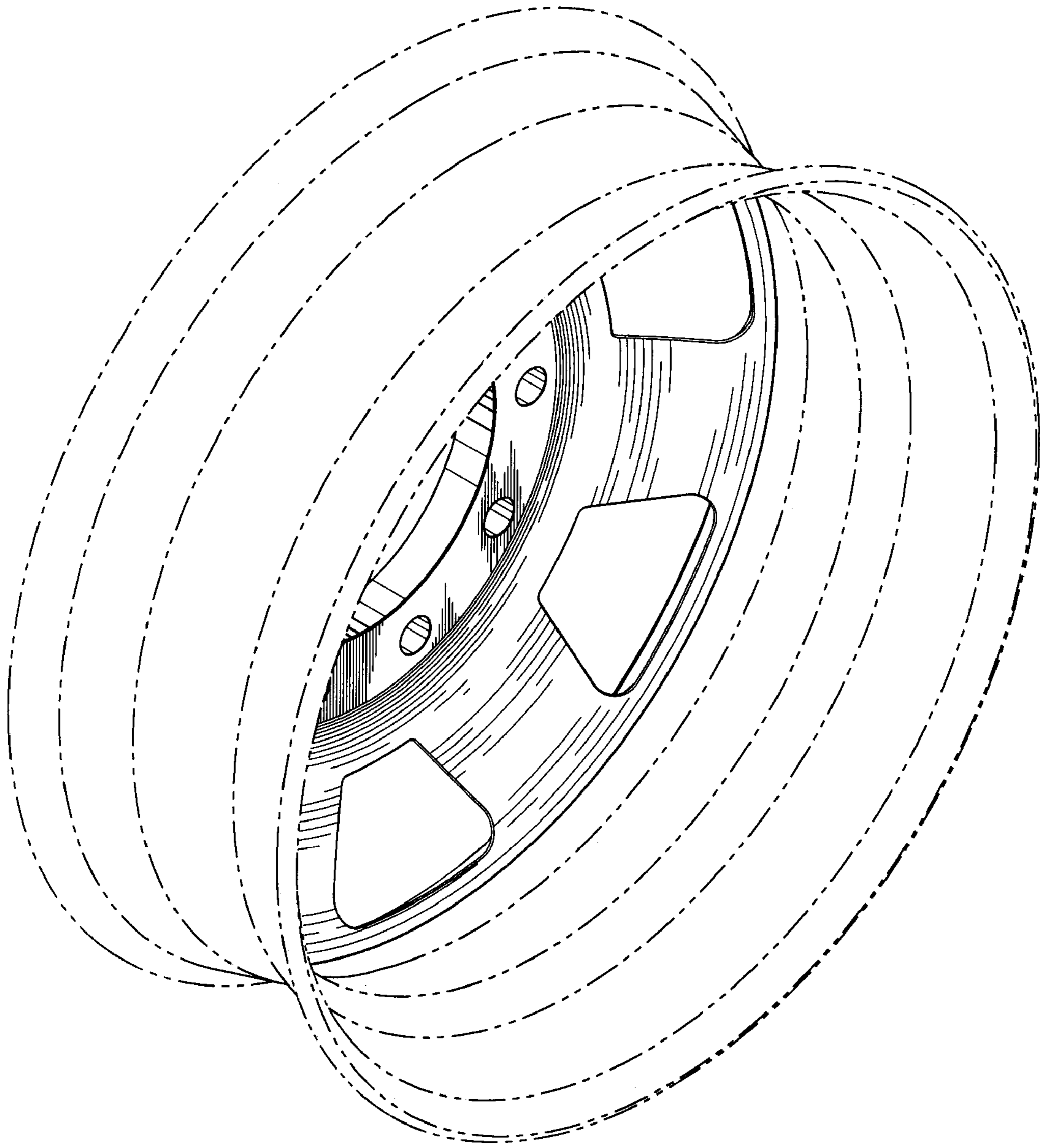


Fig. 2.

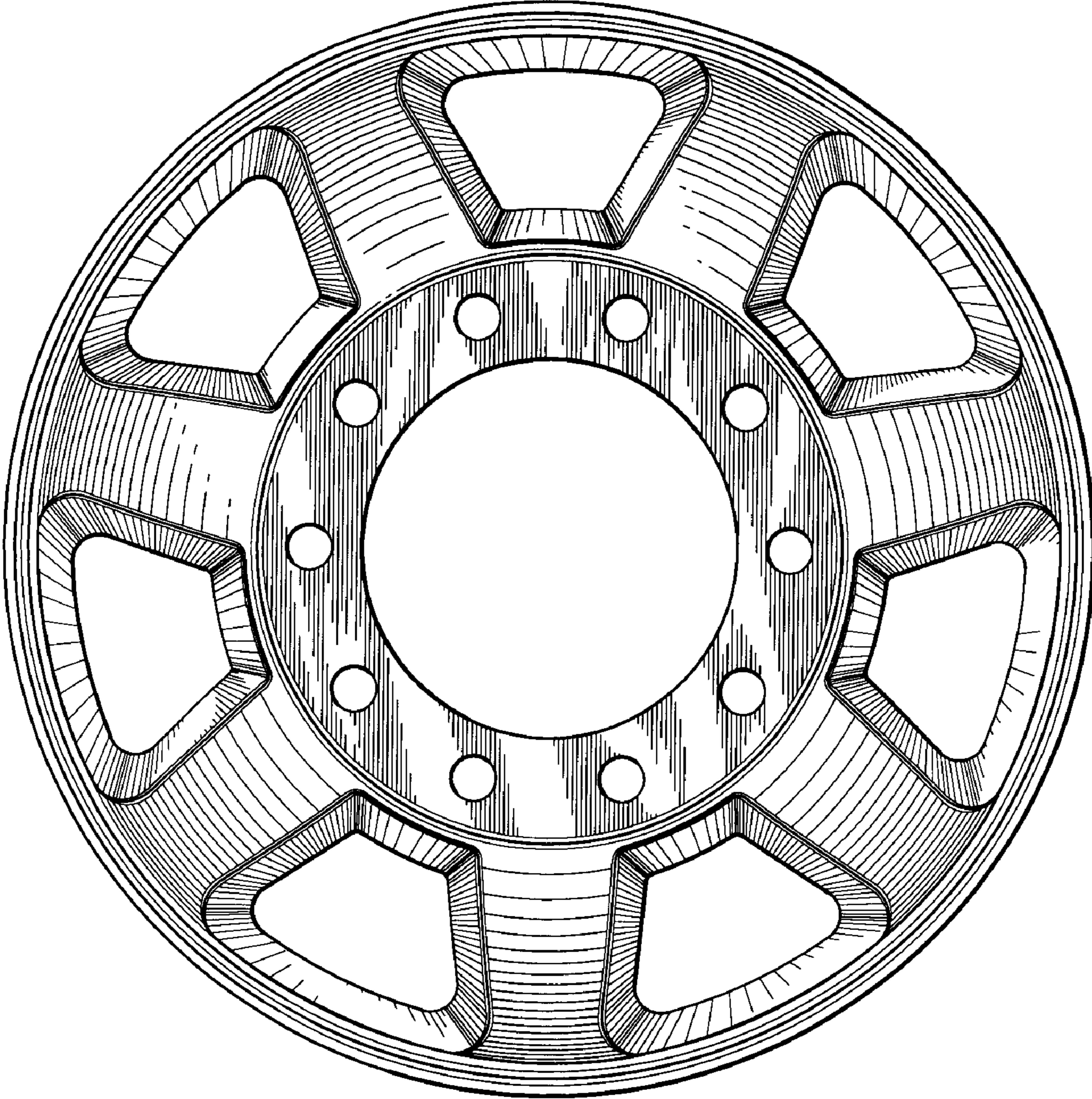


Fig. 3.

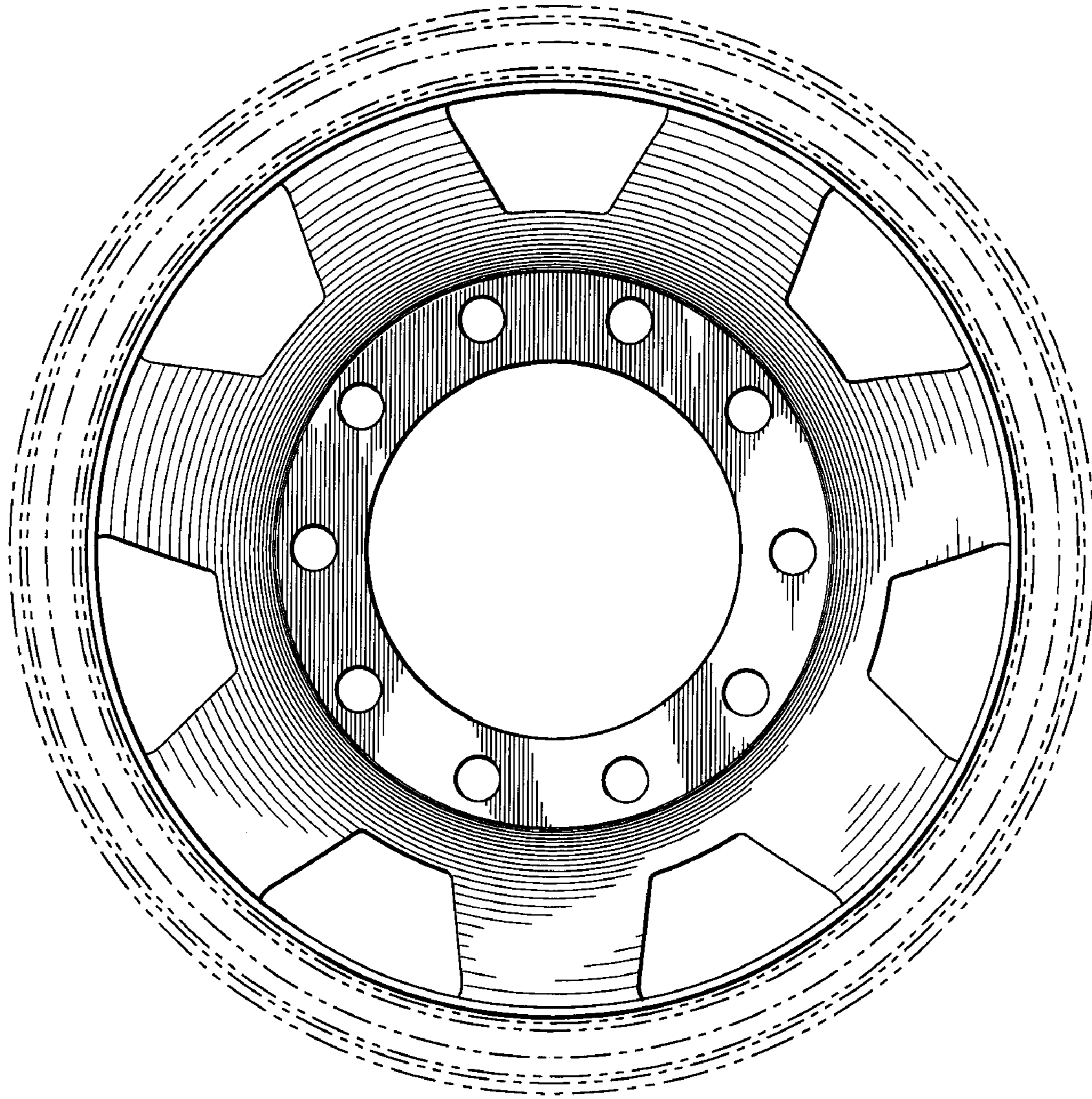


Fig. 4.

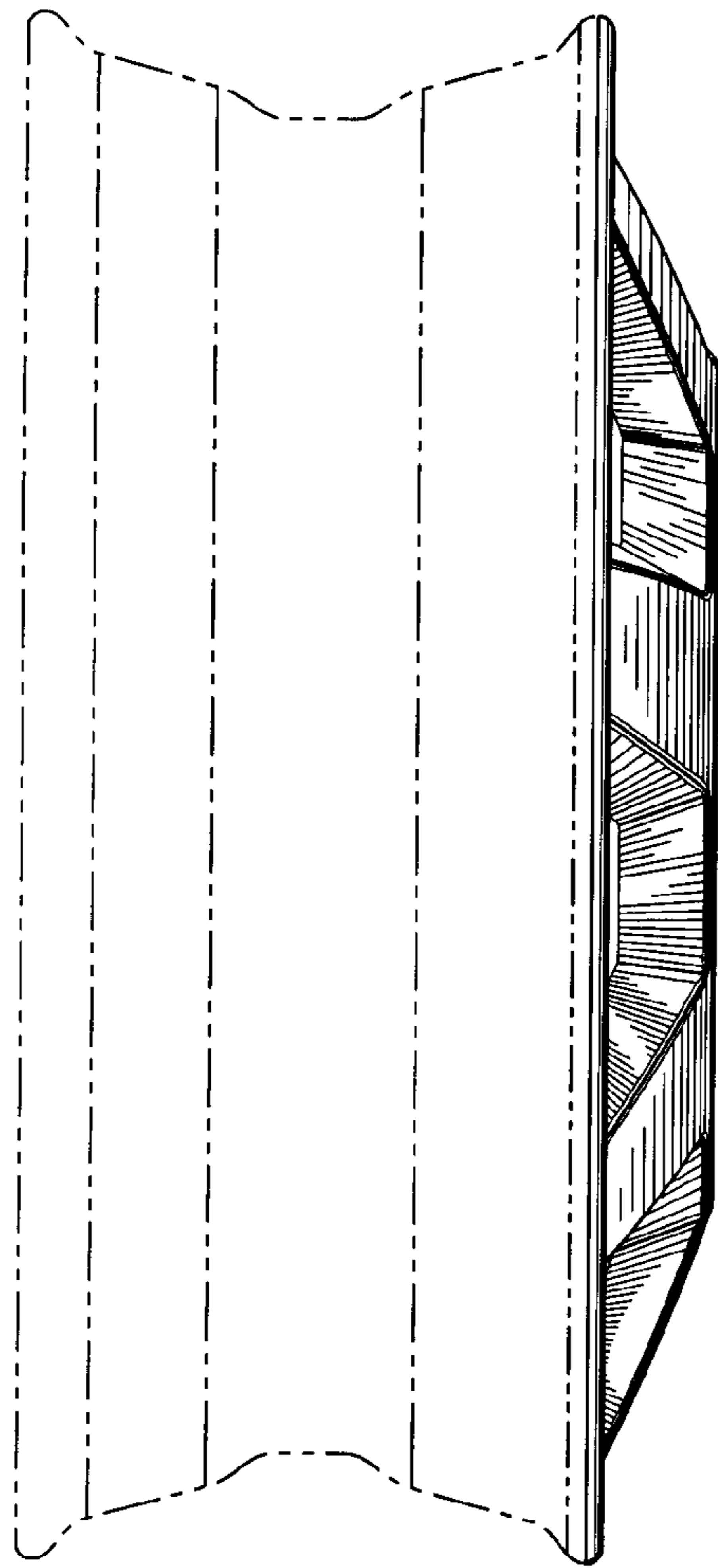


Fig. 5.

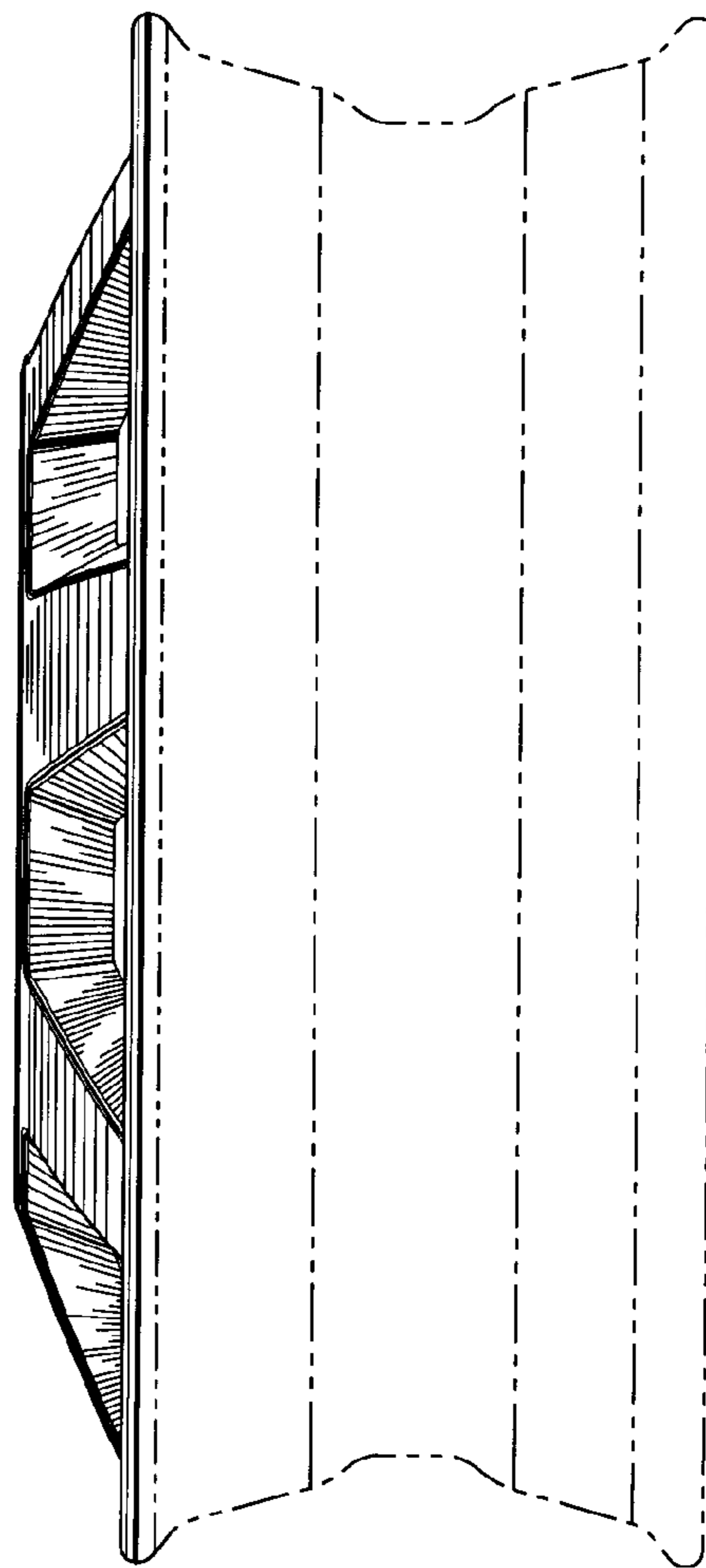


Fig. 6.

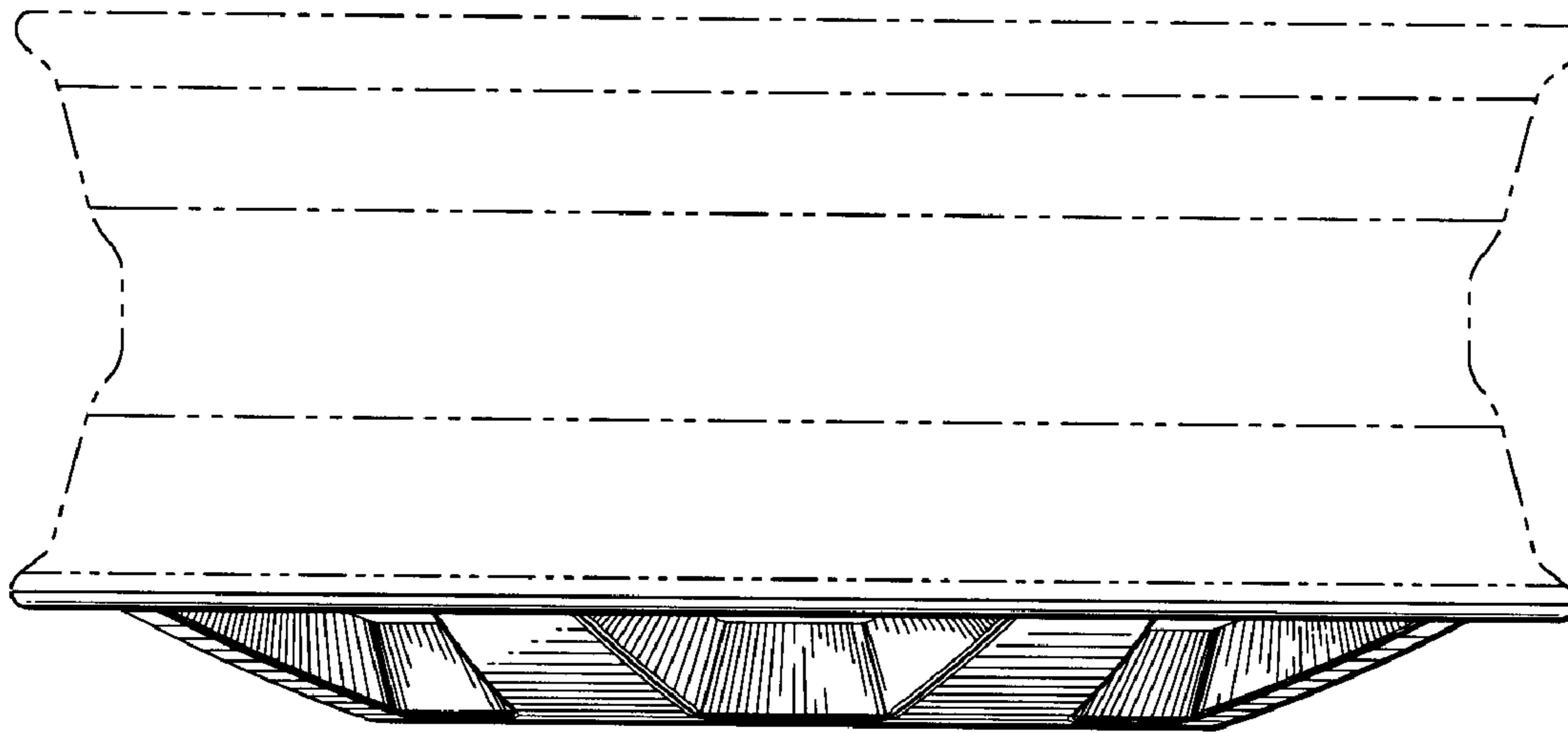


Fig. 7.

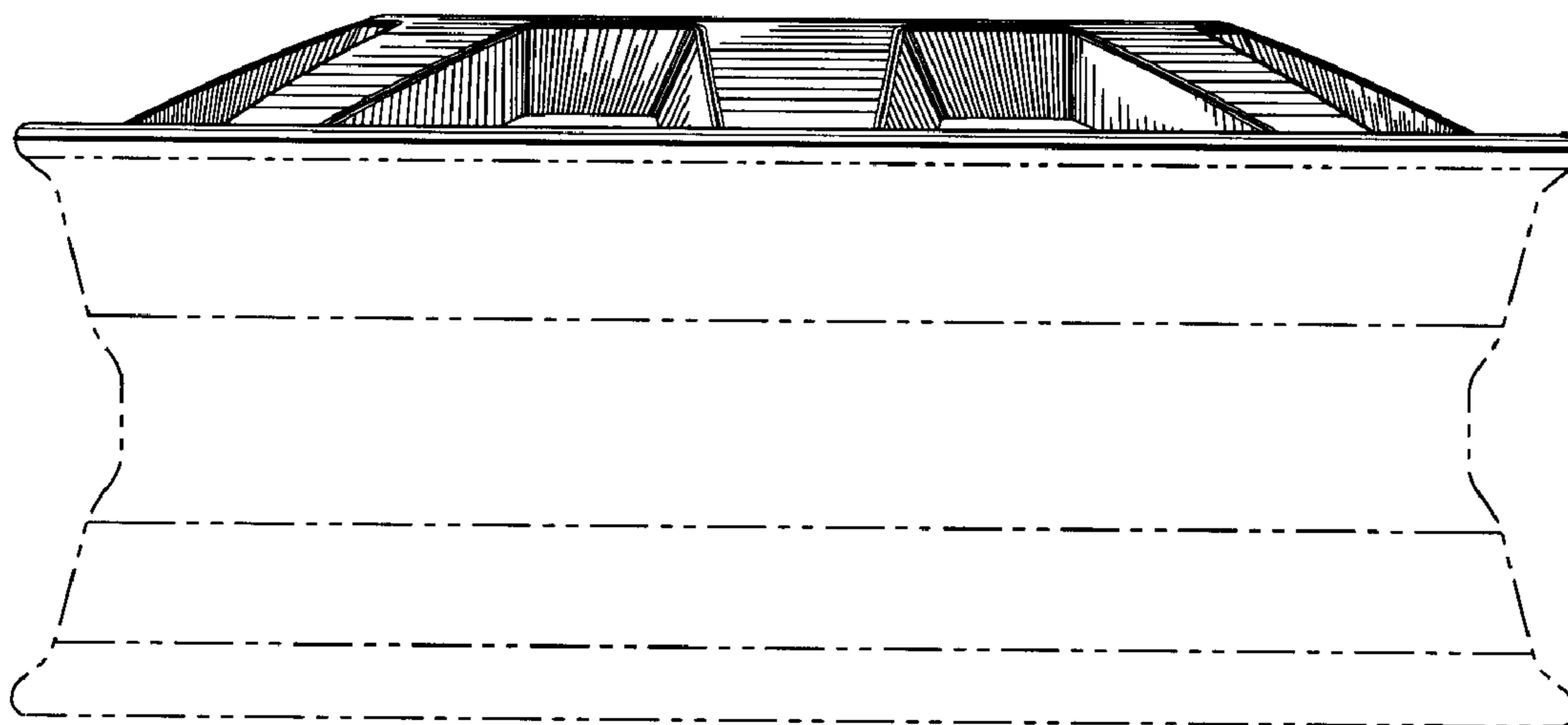


Fig. 8.