



US00D535238S

(12) **United States Design Patent**  
**Kim**

(10) **Patent No.:** **US D535,238 S**

(45) **Date of Patent:** **\*\* Jan. 16, 2007**

(54) **AUTOMOTIVE WHEEL**

(75) Inventor: **Young H. Kim**, La Habra, CA (US)

(73) Assignee: **The Wheel Group**, Industry, CA (US)

(\*\*) Term: **14 Years**

(21) Appl. No.: **29/252,285**

(22) Filed: **Jan. 21, 2006**

(51) **LOC (8) Cl.** ..... **12-16**

(52) **U.S. Cl.** ..... **D12/209**

(58) **Field of Classification Search** ..... D12/204-213;  
301/37.101, 64.101, 65

See application file for complete search history.

(56) **References Cited**

**U.S. PATENT DOCUMENTS**

D458,571 S	*	6/2002	Maifrini	.....	D12/209
D477,264 S	*	7/2003	Marji	.....	D12/209
D495,285 S	*	8/2004	Phillips	.....	D12/209
D500,977 S	*	1/2005	Kushartanto	.....	D12/209
D503,919 S	*	4/2005	Cahyono	.....	D12/211
D504,648 S	*	5/2005	Pfeiffer	.....	D12/209
D505,372 S	*	5/2005	Kushartanto	.....	D12/209

D505,650 S	*	5/2005	Tirado	.....	D12/209
D507,517 S	*	7/2005	Kushartanto	.....	D12/209
D519,901 S	*	5/2006	Panano	.....	D12/209
D521,920 S	*	5/2006	Phillips	.....	D12/209
D526,264 S	*	8/2006	Marji	.....	D12/209
D526,267 S	*	8/2006	Looho	.....	D12/211

\* cited by examiner

*Primary Examiner*—Stacia Cadmus

(57) **CLAIM**

The ornamental design for an automotive wheel, as shown and described.

**DESCRIPTION**

FIG. 1 is a perspective view of an automotive wheel showing my new design.

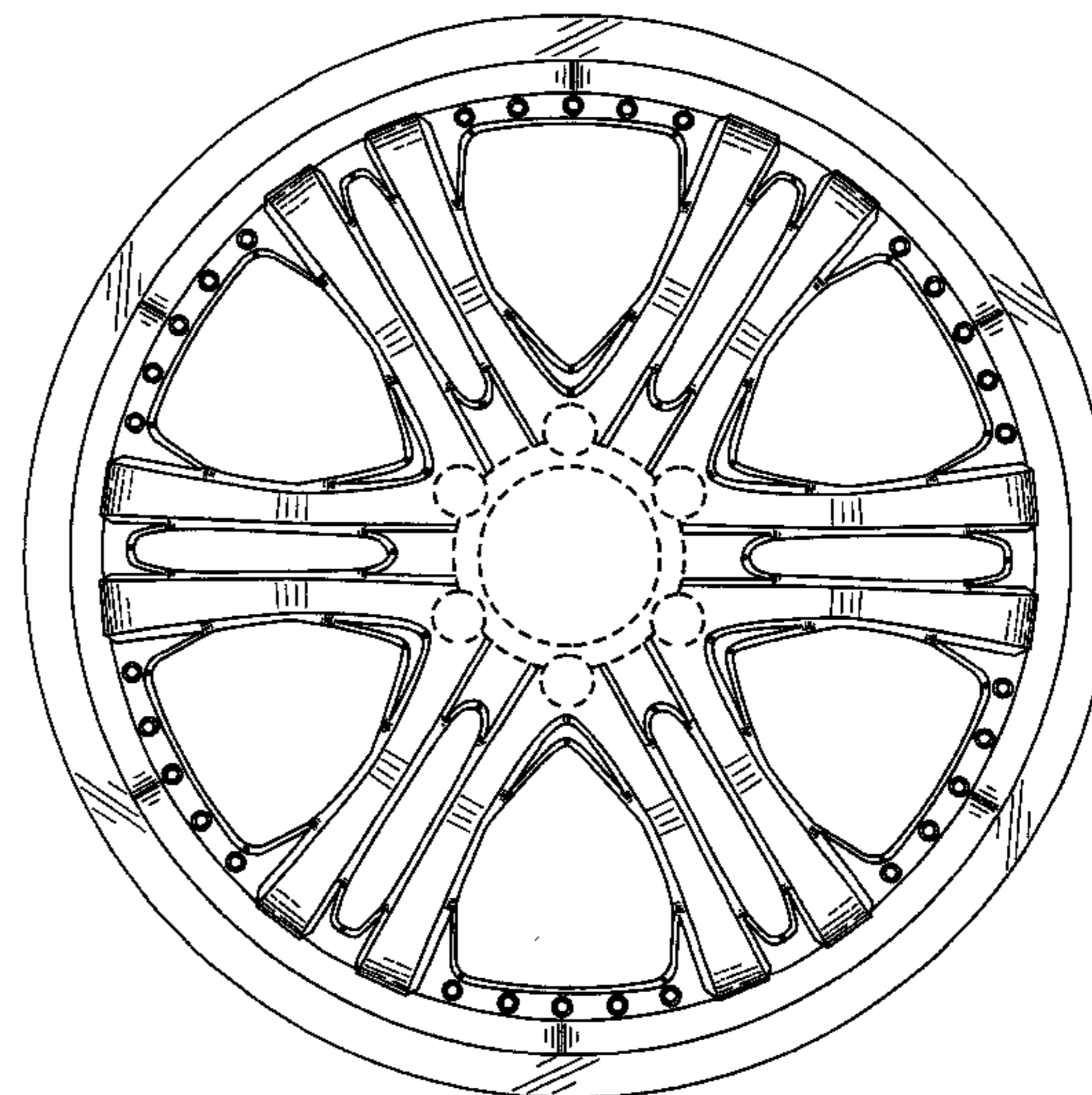
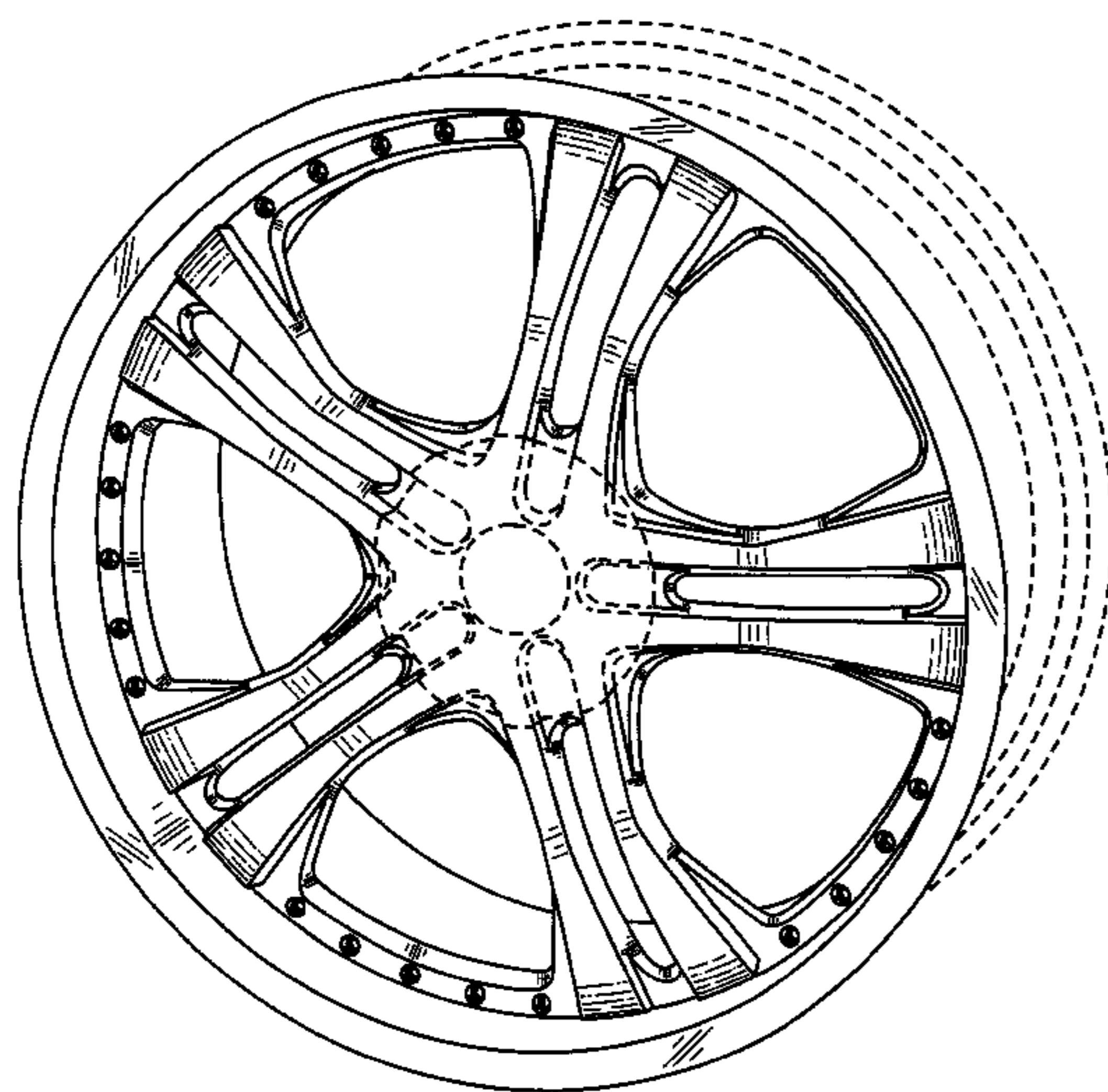
FIG. 2 is a front elevational view thereof.

FIG. 3 is a perspective view of a second embodiment of my design; and,

FIG. 4 is a front elevational view of the second embodiment of my design.

The broken lines are for illustrative purposes only, and form no part of the claimed design.

**1 Claim, 4 Drawing Sheets**



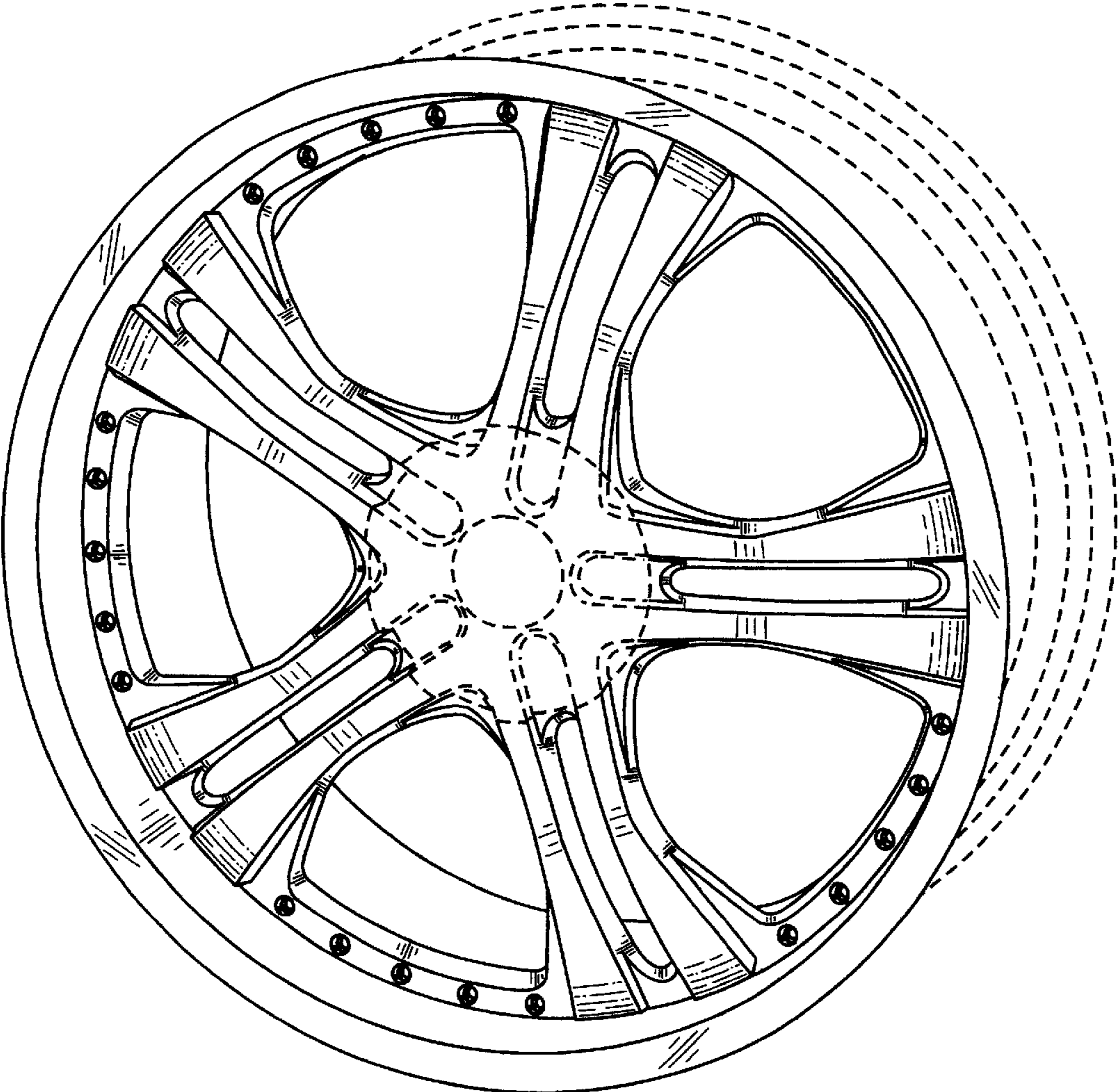


FIG. 1



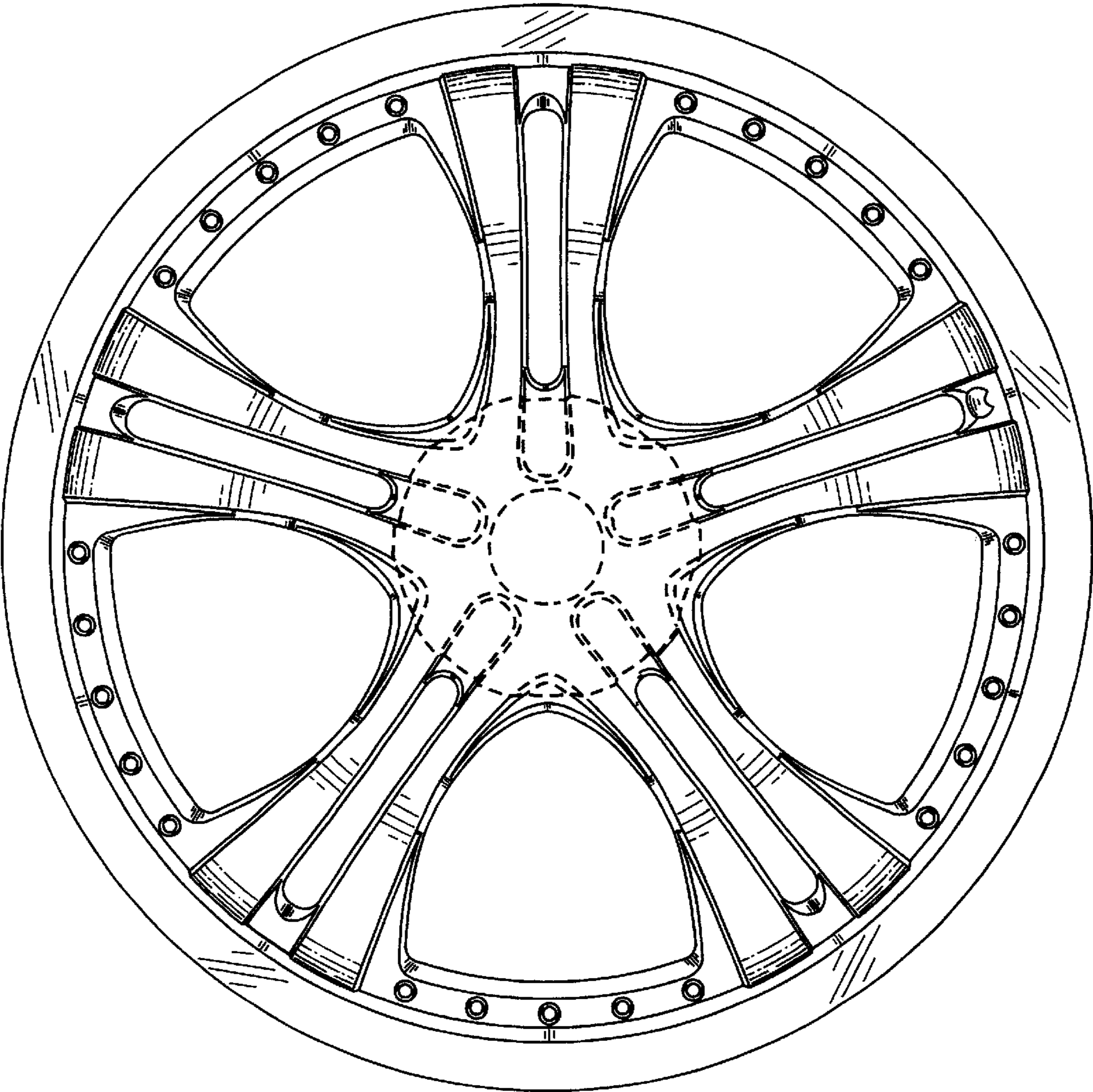


FIG. 2

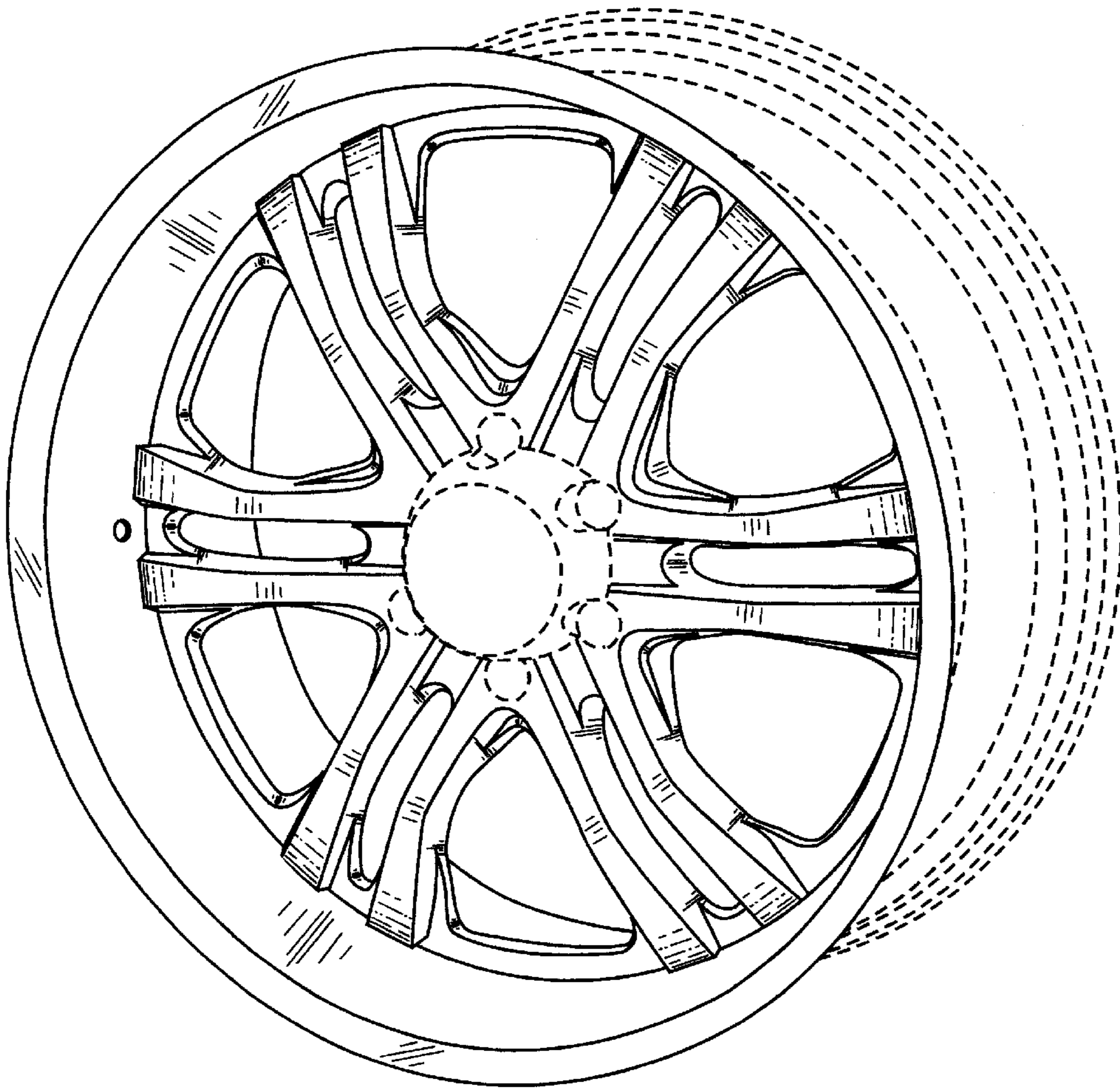


FIG. 3

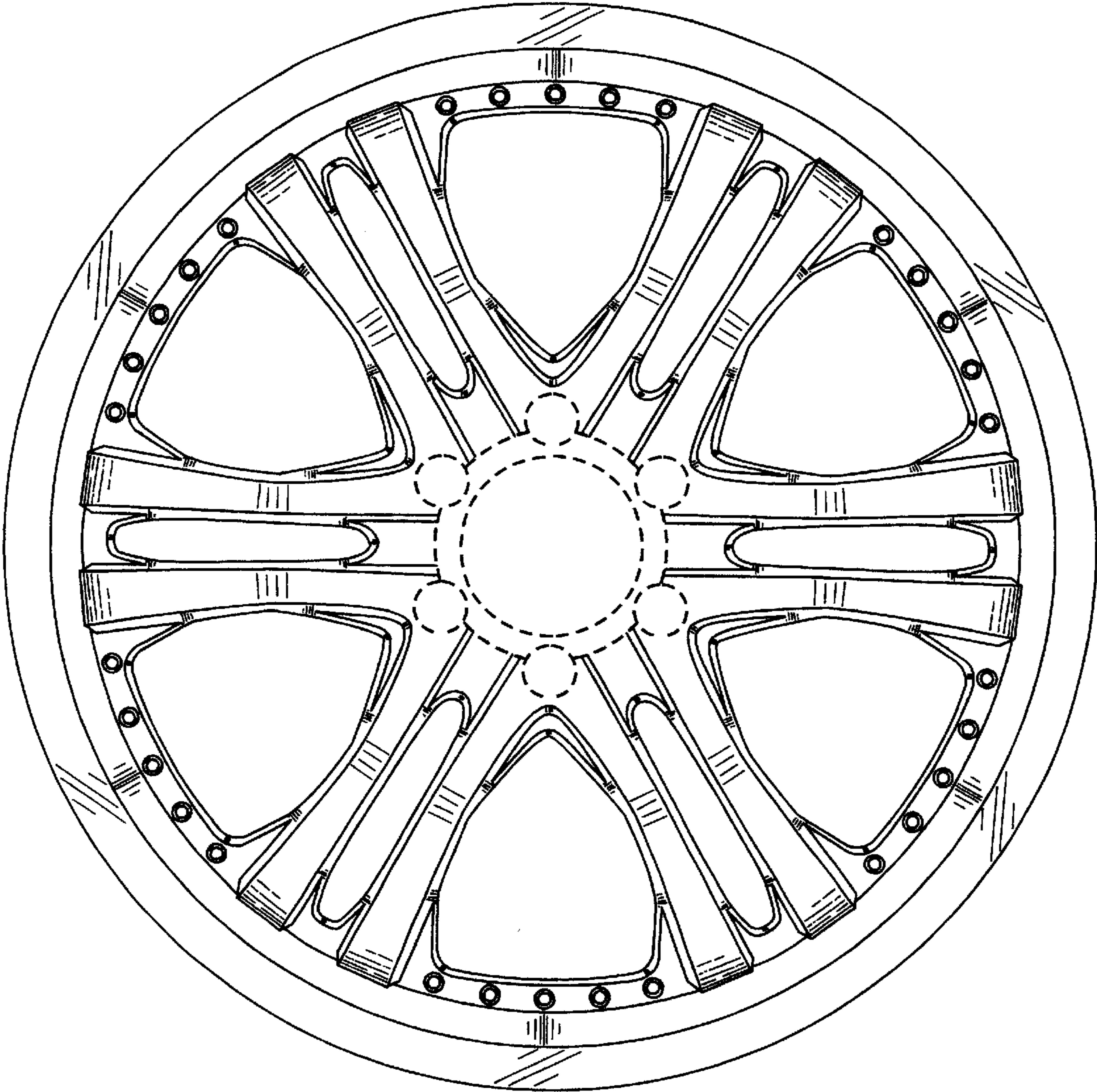


FIG. 4