



US00D535237S

(12) **United States Design Patent**
Conner

(10) **Patent No.:** **US D535,237 S**

(45) **Date of Patent:** **** Jan. 16, 2007**

(54) **CUSTOM WHEEL**

(76) **Inventor:** **Ronny K. Conner**, 19051 W. Honey
Branch Rd., Saucier, MS (US) 39745

(**) **Term:** **14 Years**

(21) **Appl. No.:** **29/232,174**

(22) **Filed:** **Jun. 16, 2005**

(51) **LOC (8) Cl.** **12-16**

(52) **U.S. Cl.** **D12/209**

(58) **Field of Classification Search** D12/204-213;
301/37.101, 64.101, 65

See application file for complete search history.

(56) **References Cited**

U.S. PATENT DOCUMENTS

D364,843 S	*	12/1995	Hale, Jr.	D12/209
D384,929 S	*	10/1997	Neeper	D12/209
D385,838 S	*	11/1997	Cullen	D12/209
D423,443 S	*	4/2000	Hussaini et al.	D12/209
D491,127 S		6/2004	Francis		
D493,402 S	*	7/2004	Francis	D12/209

D497,340 S	*	10/2004	Anderson et al.	D12/209
D497,585 S	*	10/2004	Smith et al.	D12/209
D507,220 S	*	7/2005	Lucaora	D12/209

* cited by examiner

Primary Examiner—Stacia Cadmus

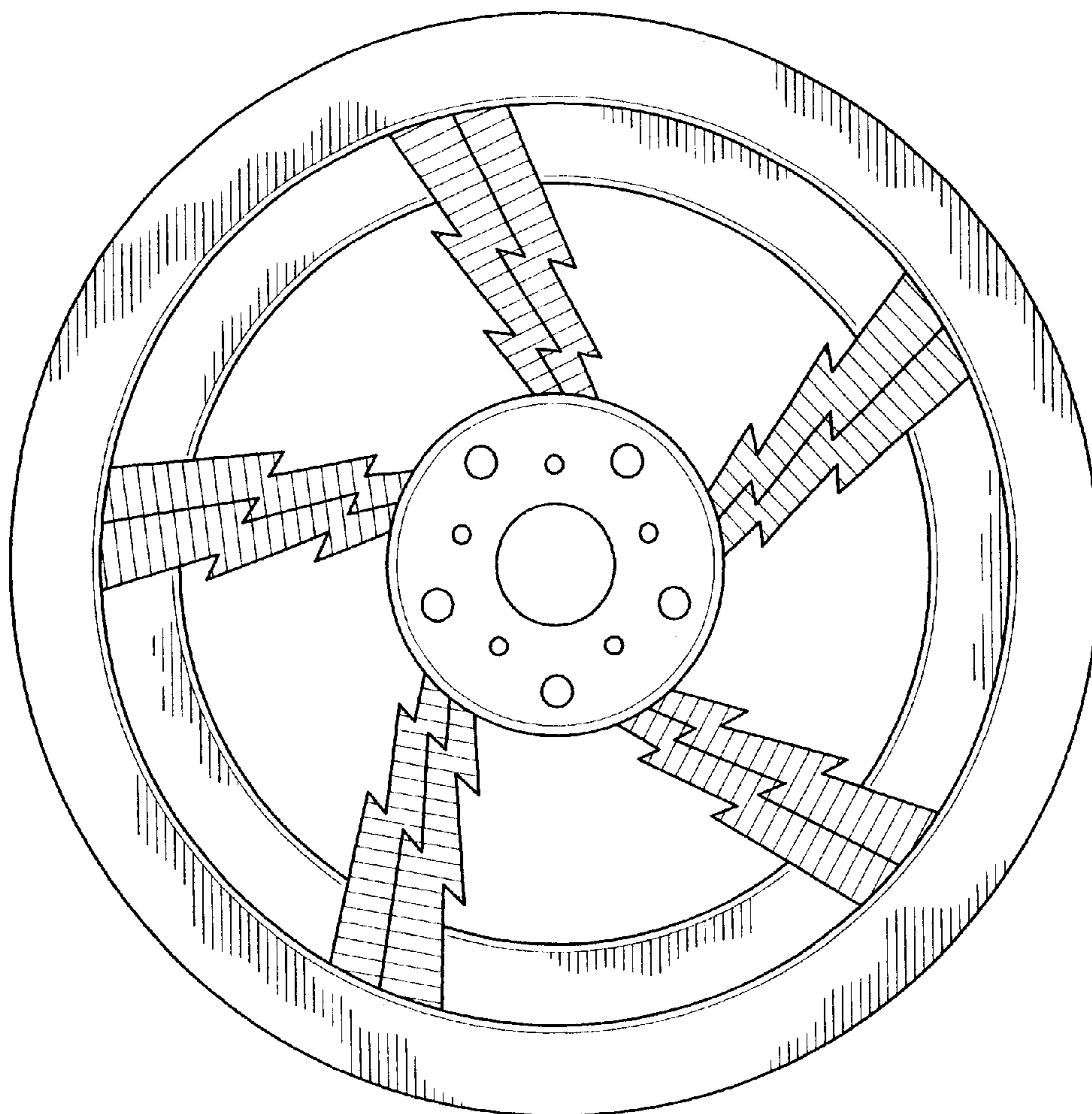
(57) **CLAIM**

The ornamental design for a custom wheel, as shown and described.

DESCRIPTION

FIG. 1 is a front elevation view of a custom wheel showing my new design;
 FIG. 2 is a rear elevation view;
 FIG. 3 is a left side elevation view of my invention;
 FIG. 4 is a left side isometric view;
 FIG. 5 is a front elevation view of a second embodiment of a custom wheel showing my new design;
 FIG. 6 is a rear elevation view;
 FIG. 7 is a left side elevation view; and,
 FIG. 8 is a left side isometric view.

1 Claim, 8 Drawing Sheets



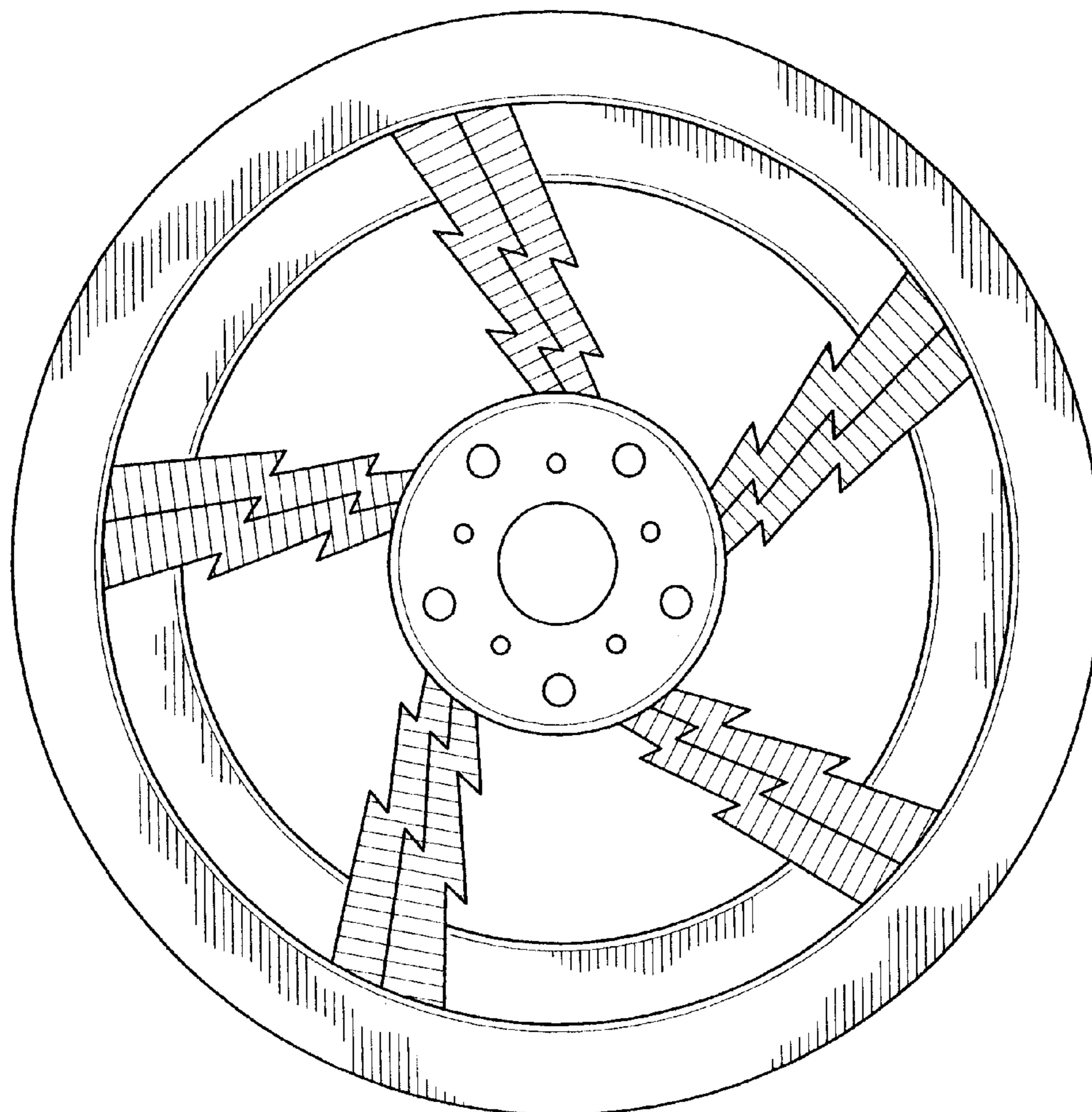


FIG.1

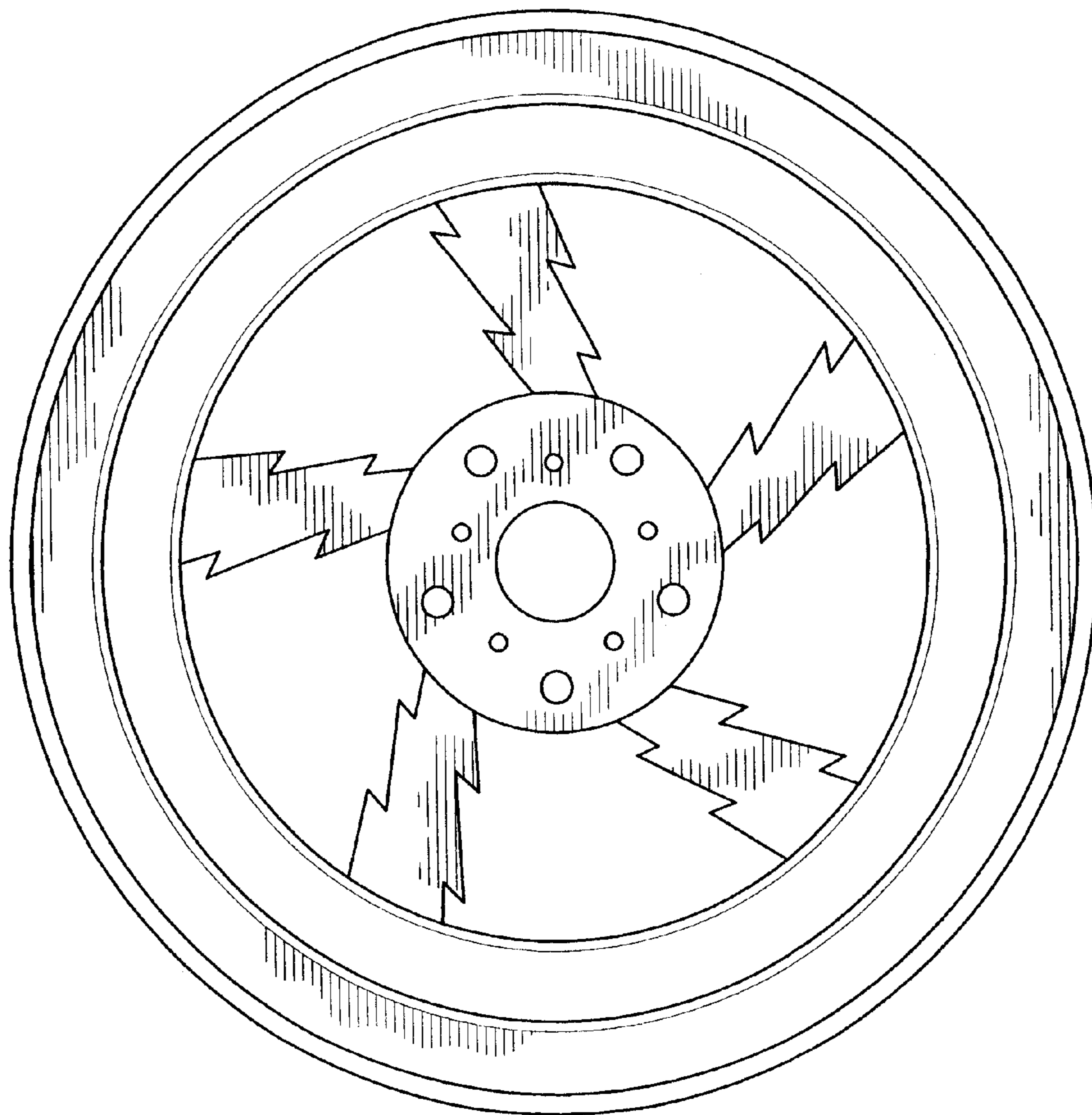


FIG.2

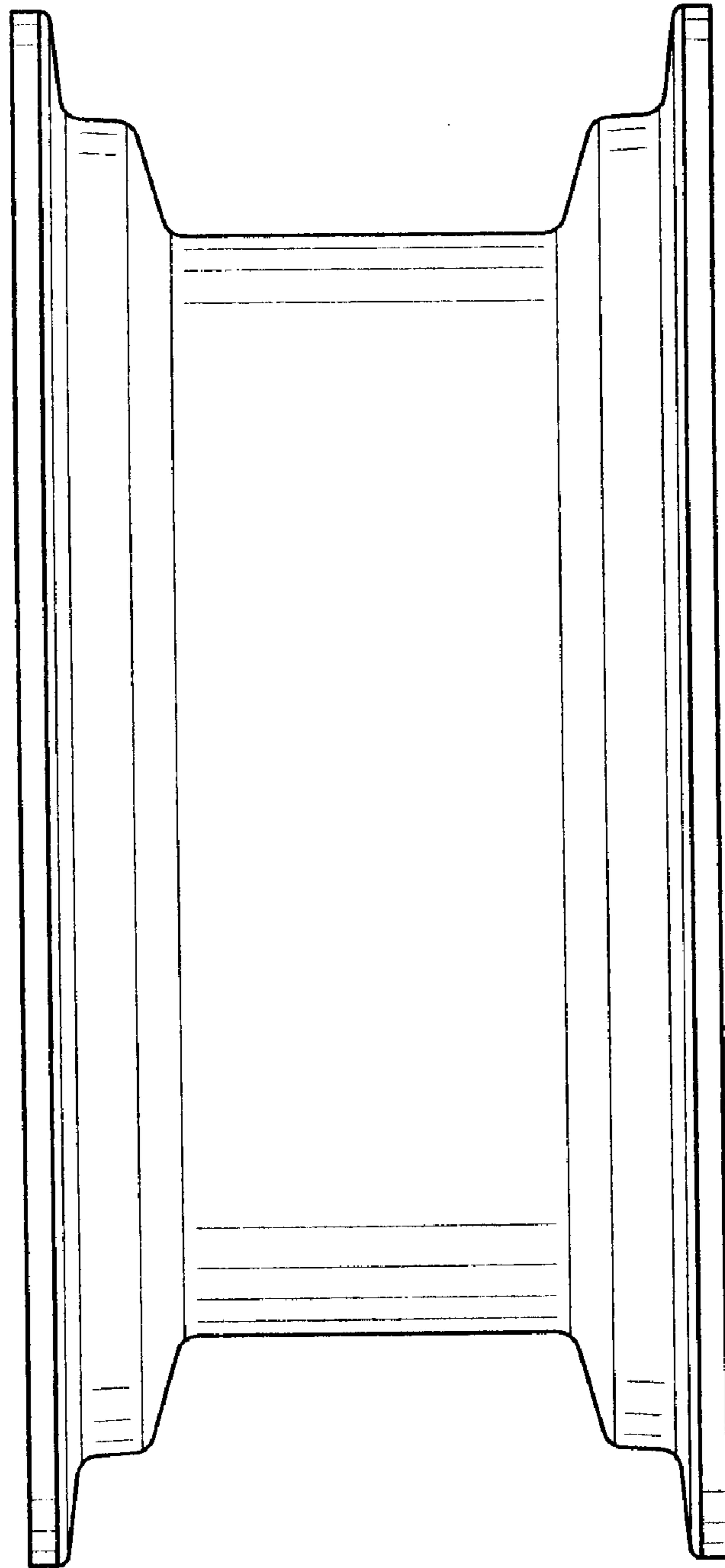


FIG.3

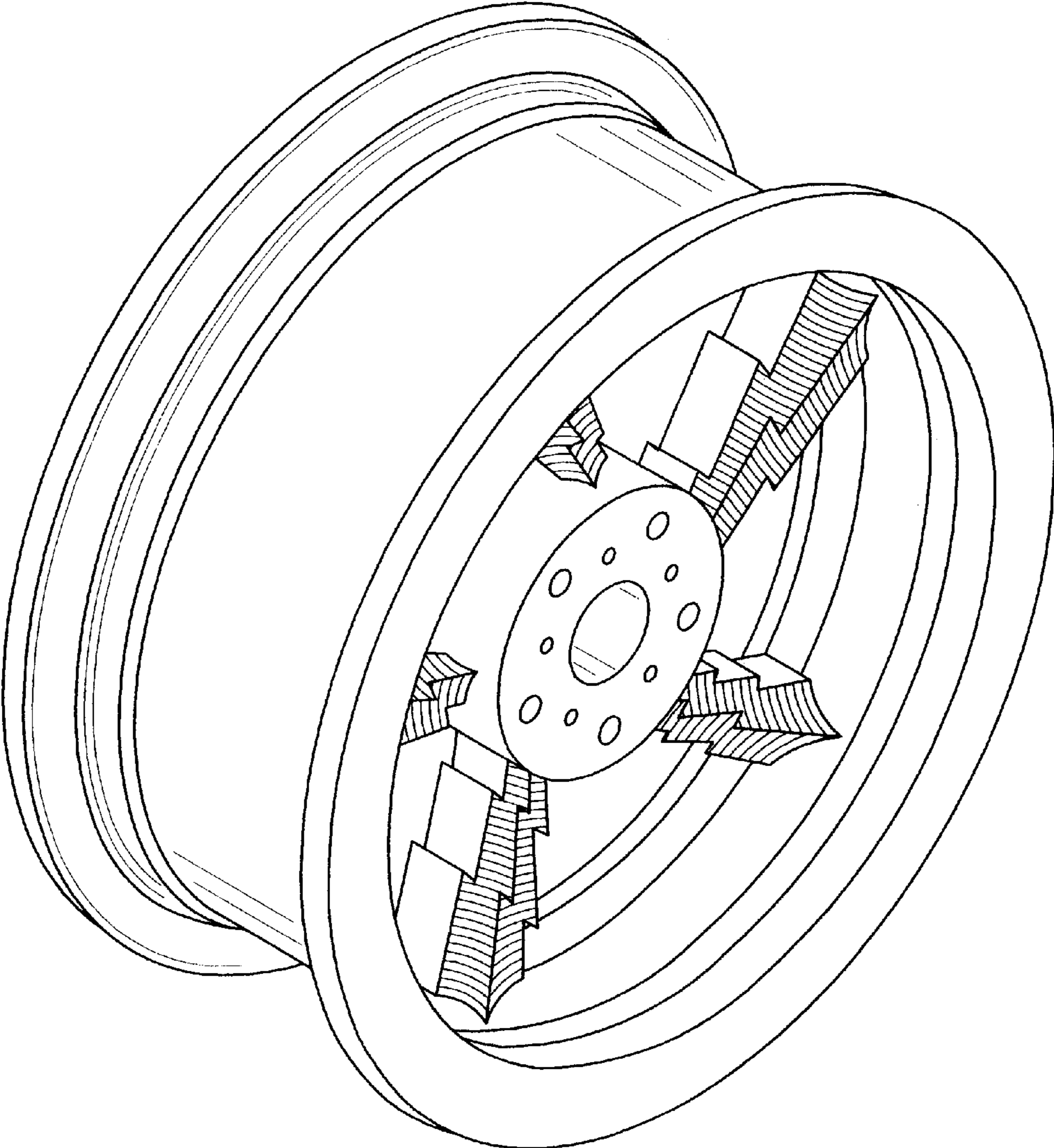


FIG.4

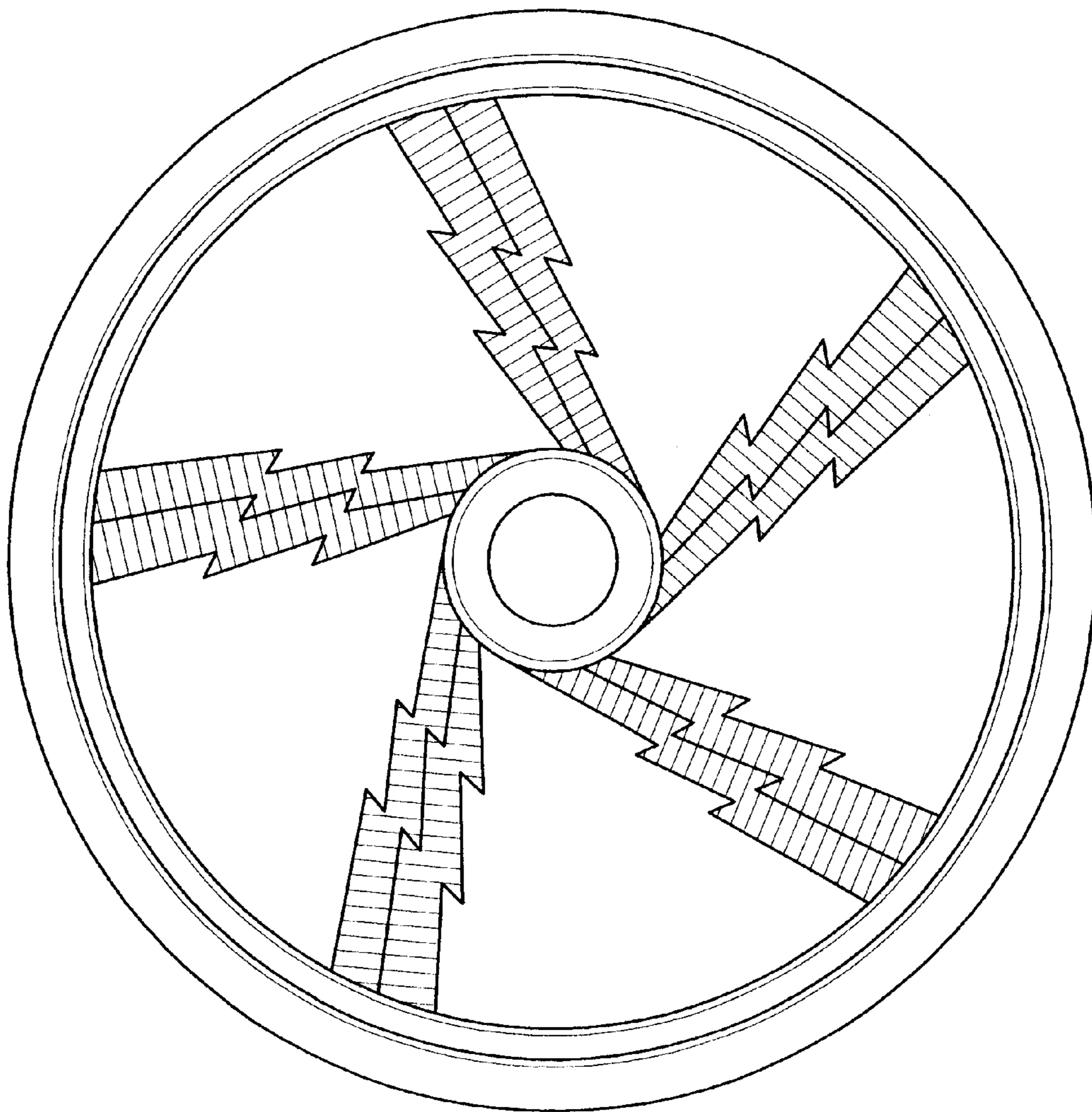


FIG. 5

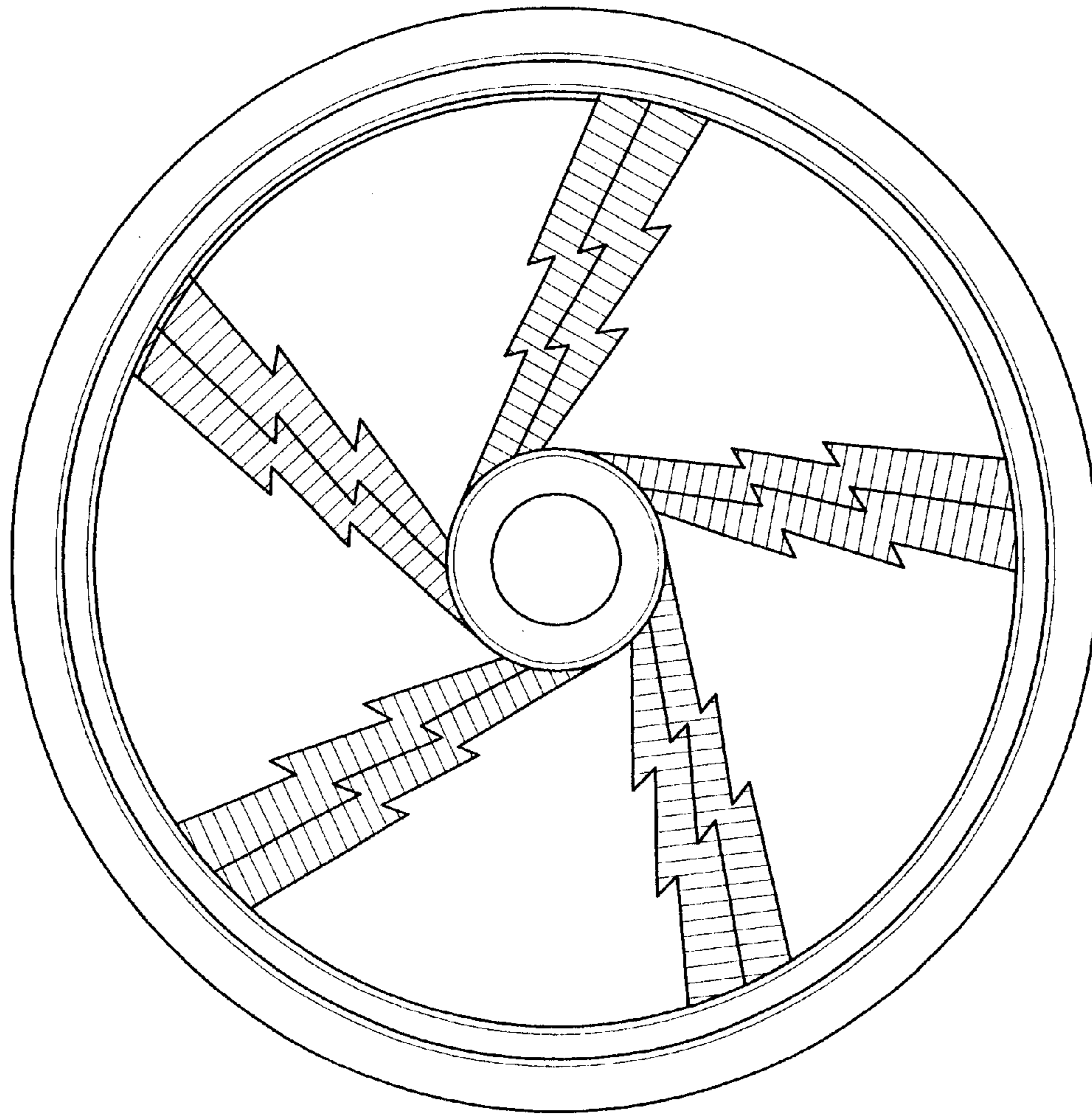


FIG.6

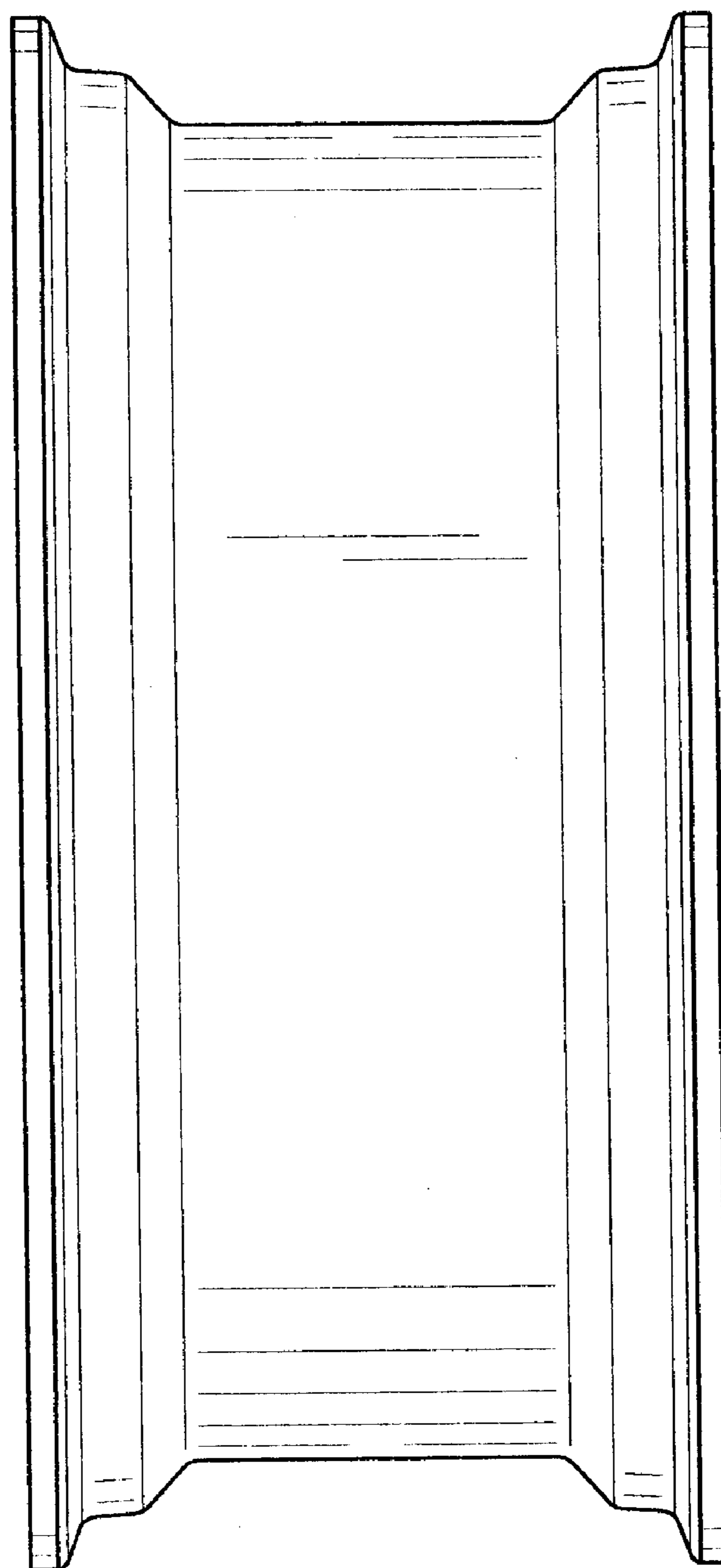


FIG.7

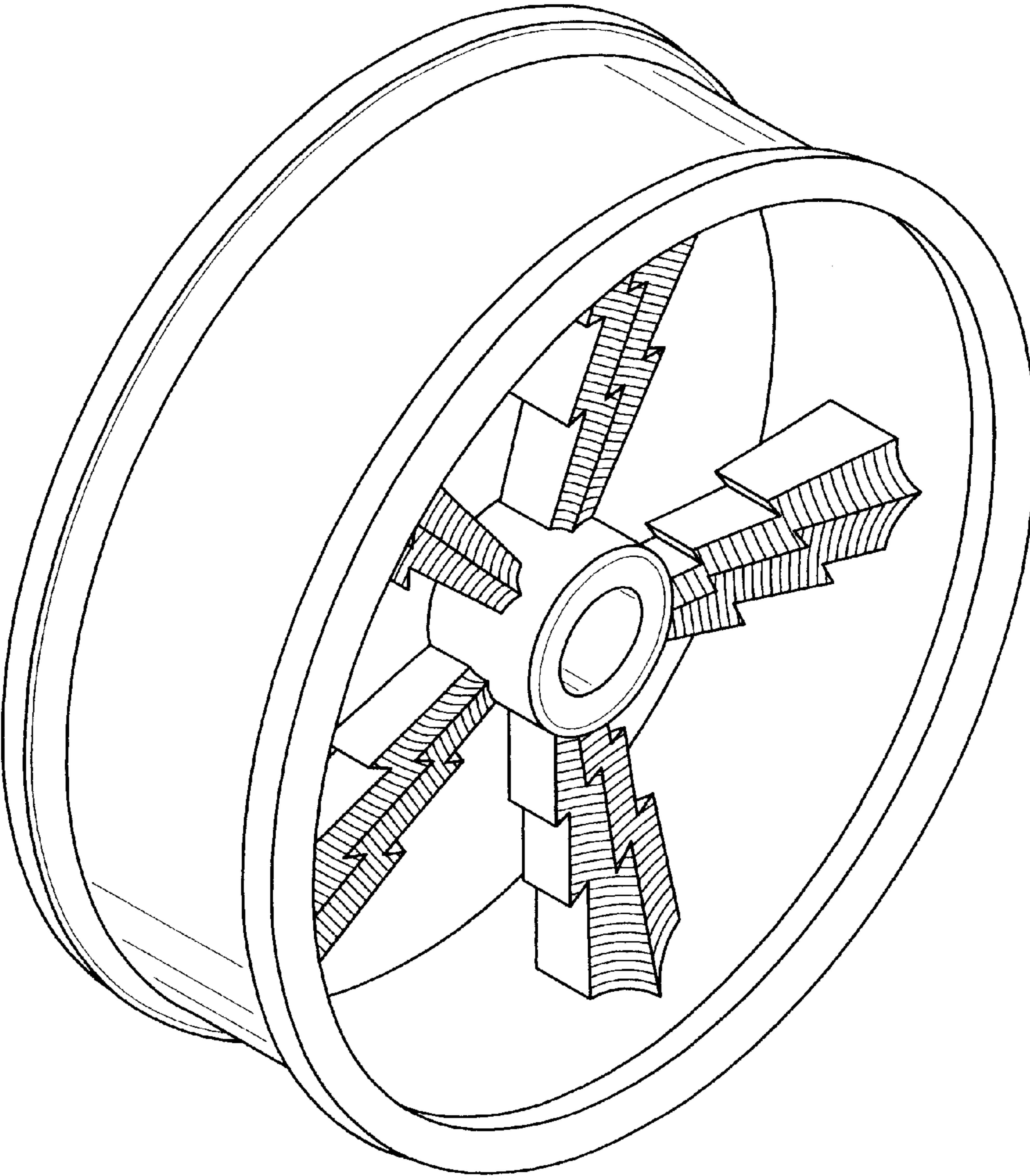


FIG.8