



US00D535234S

(12) **United States Design Patent**  
**Zabojnik**

(10) **Patent No.:** **US D535,234 S**

(45) **Date of Patent:** **\*\* Jan. 16, 2007**

(54) **AUTOMOBILE COWL GAUGE MOUNTING PANEL**

(76) Inventor: **Aubrey J. Zabojnik**, 6732 State Highway 276W, Royse City, TX (US) 75189

(\*\*) Term: **14 Years**

(21) Appl. No.: **29/217,820**

(22) Filed: **Nov. 22, 2004**

(51) **LOC (8) Cl.** ..... **12-16**

(52) **U.S. Cl.** ..... **D12/192**

(58) **Field of Classification Search** ..... D12/192;  
180/90; 280/750-752; 296/70, 190.01-191;  
D10/46, 102, 98, 122-127; D15/28  
See application file for complete search history.

(56) **References Cited**

U.S. PATENT DOCUMENTS

D179,266 S	*	11/1956	Rich	.....	D12/192
D230,579 S	*	3/1974	Boano	.....	D12/192
D435,818 S	*	1/2001	Shimizu et al.	.....	D12/192
D440,926 S	*	4/2001	Pfeiffer	.....	D12/192
D488,417 S	*	4/2004	Herrera, Jr.	.....	D12/192
D489,303 S	*	5/2004	Tuzar	.....	D12/192

D492,631 S	*	7/2004	Pfeiffer et al.	.....	D12/192
D495,641 S	*	9/2004	Nakajima et al.	.....	D12/192
D501,811 S	*	2/2005	Fukuda et al.	.....	D12/192
D511,729 S	*	11/2005	Yamazaki et al.	.....	D12/192
D514,994 S	*	2/2006	Day	.....	D12/192

\* cited by examiner

*Primary Examiner*—Stacia Cadmus

(74) *Attorney, Agent, or Firm*—John F. Bryan

(57) **CLAIM**

I claim the ornamental design of an automobile cowl gauge mounting panel, as shown and described.

**DESCRIPTION**

FIG. 1 is a perspective view of an automobile cowl gauge mounting panel, showing my new design;  
 FIG. 2 is a top view thereof;  
 FIG. 3 is a front view thereof;  
 FIG. 4 is an enlarged side view thereof;  
 FIG. 5 is a perspective view of a second embodiment of an automobile cowl gauge mounting panel, showing my new design;  
 FIG. 6 is a top view of FIG. 5;  
 FIG. 7 is a front view of FIG. 5; and,  
 FIG. 8 is an enlarged side view of FIG. 5.

**1 Claim, 6 Drawing Sheets**

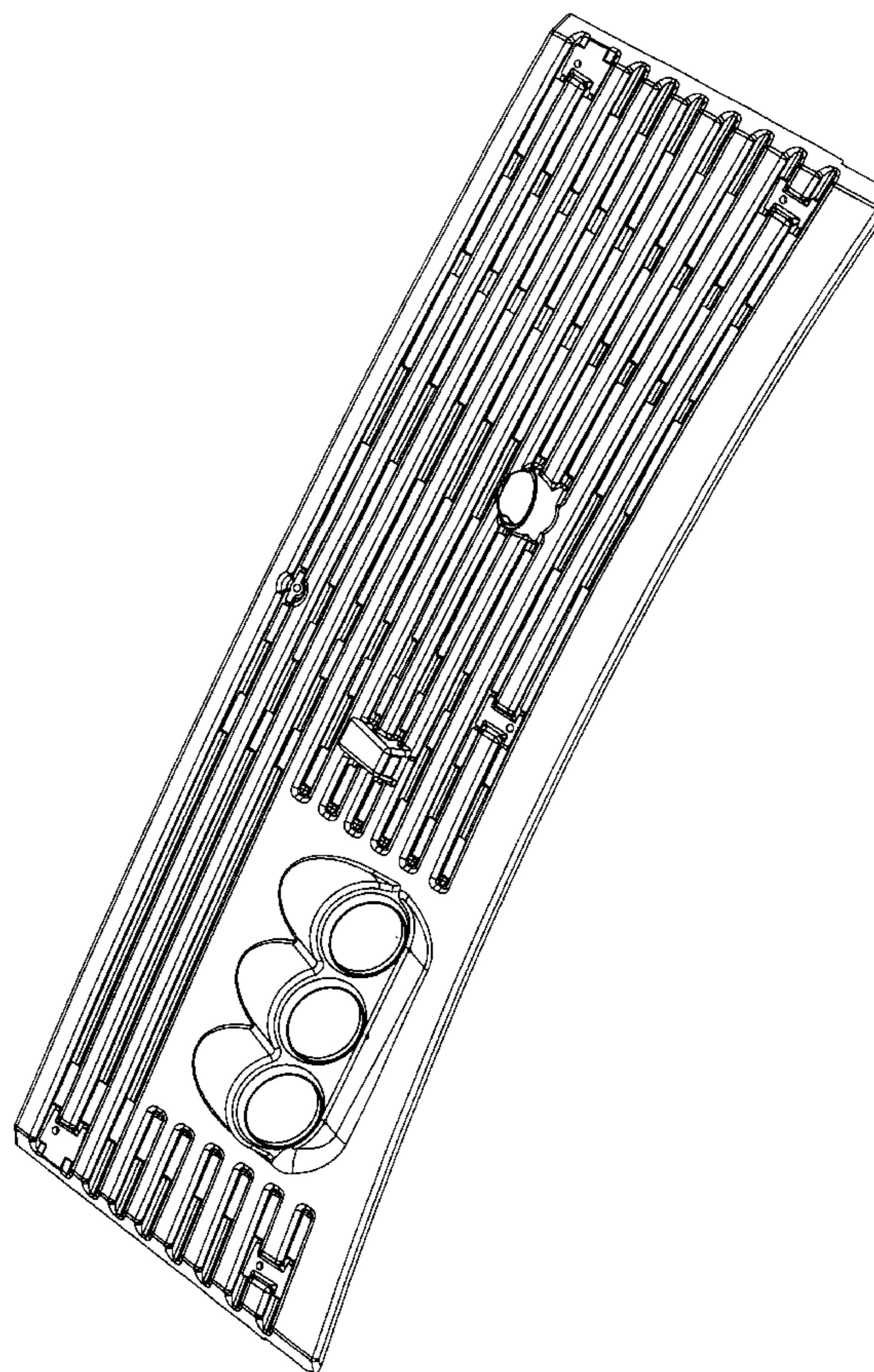




FIG. 1

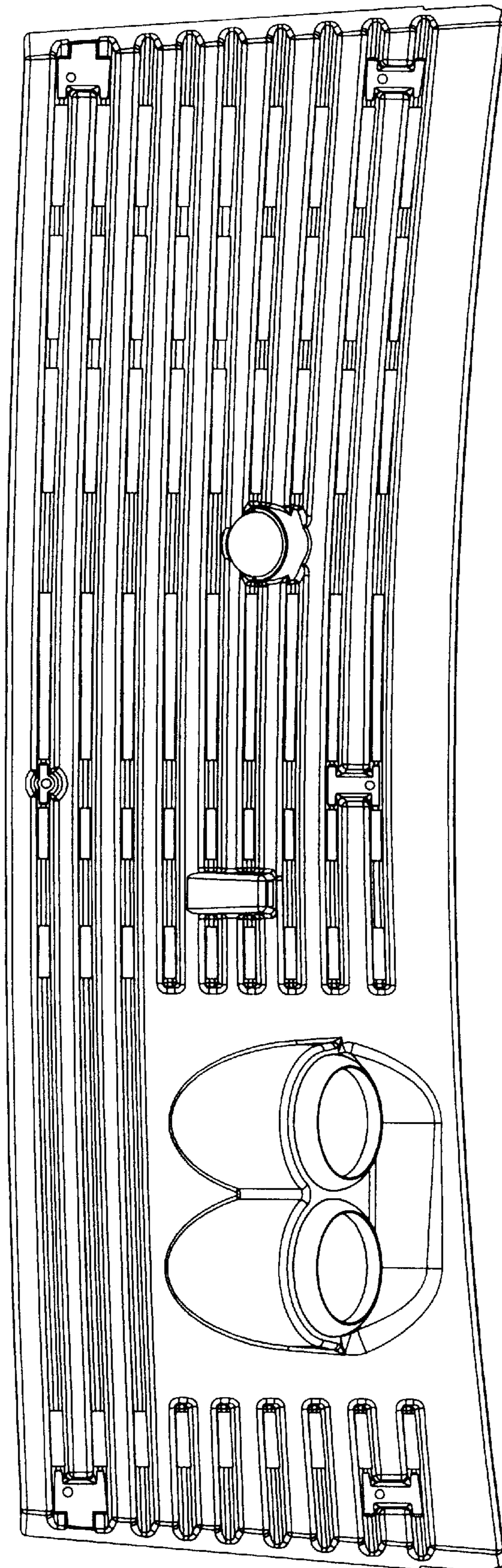


FIG. 2

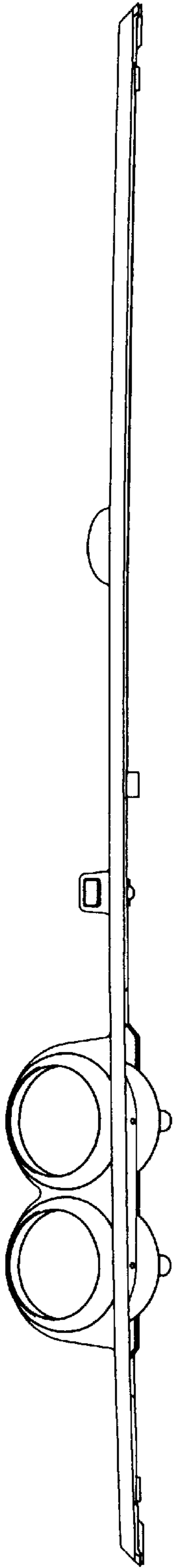


FIG. 3

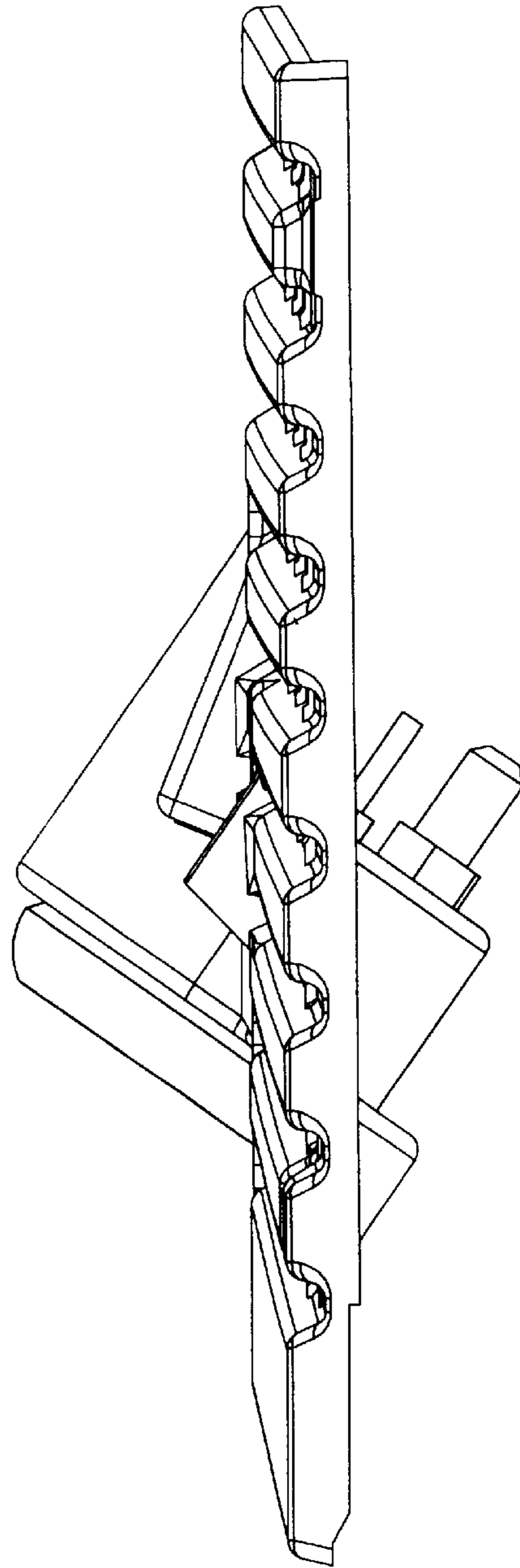


FIG. 4



FIG. 5

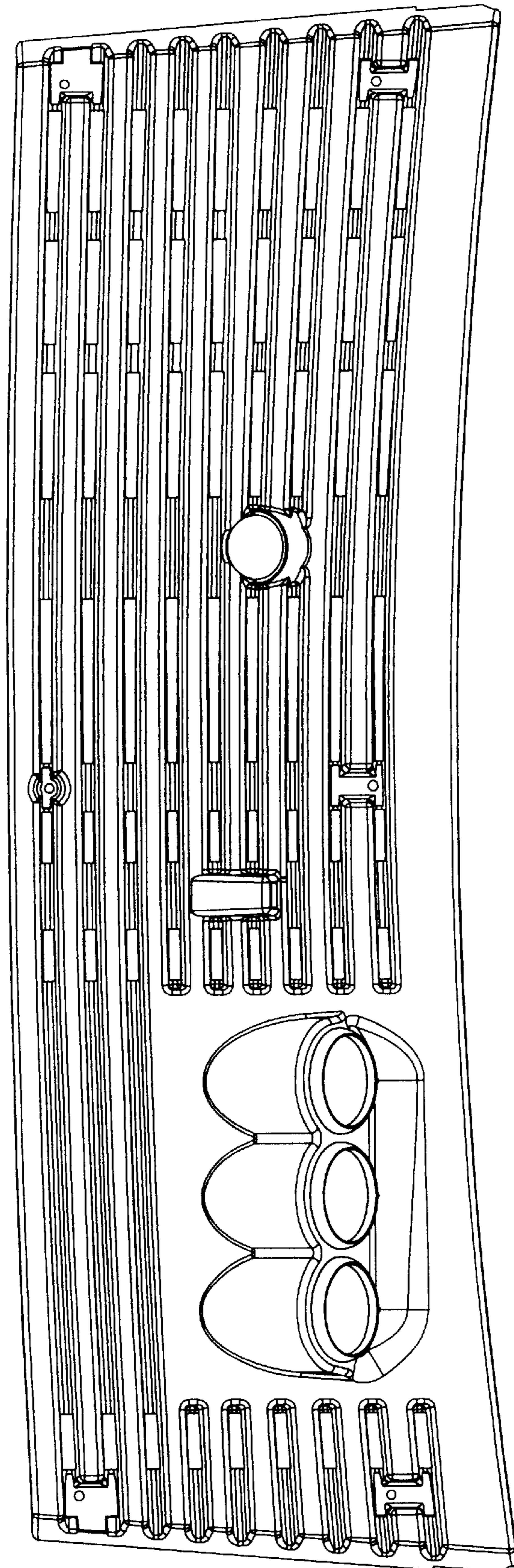


FIG. 6

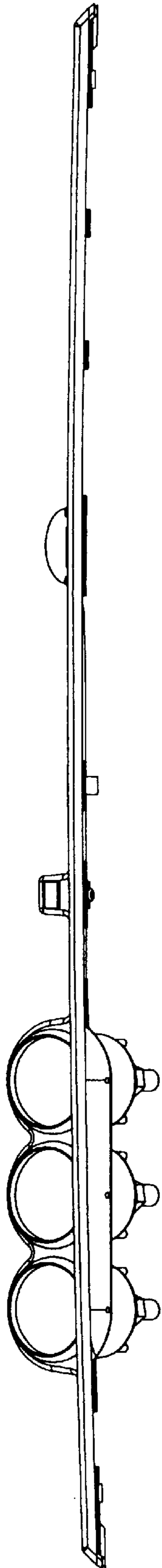


FIG. 7

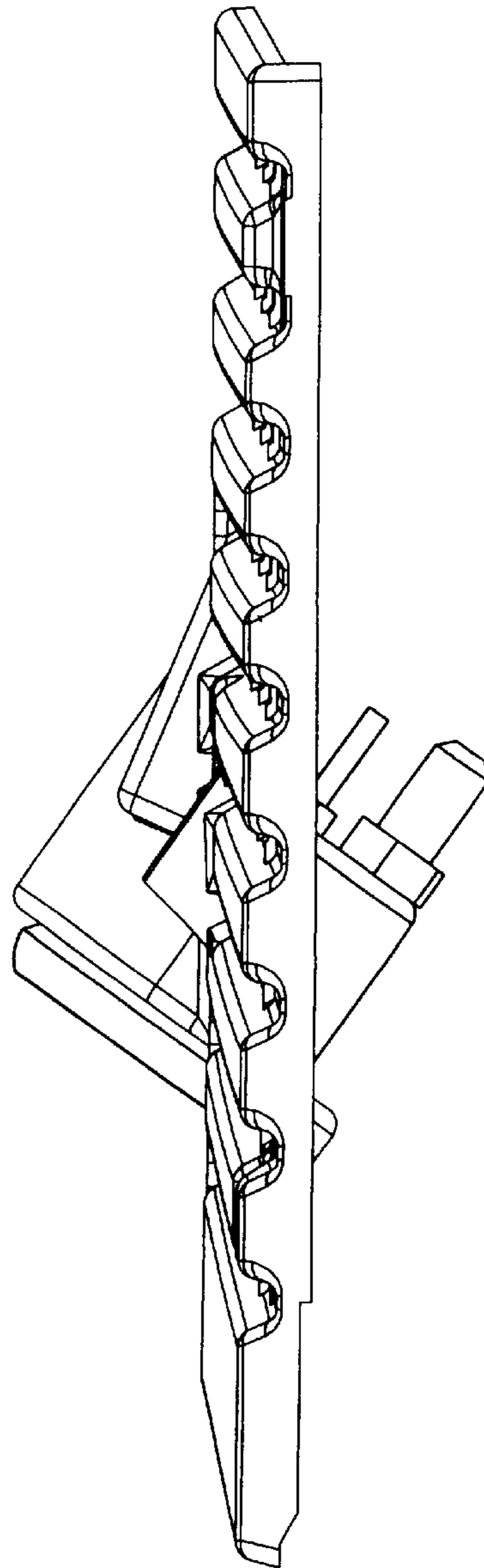


FIG. 8