



US00D535231S

(12) **United States Design Patent**
Otsubo et al.

(10) **Patent No.:** **US D535,231 S**
(45) **Date of Patent:** **** Jan. 16, 2007**

(54) **FRONT BUMPER FOR AN AUTOMOBILE**

D517,458 S * 3/2006 Hiruta et al. D12/169

(75) Inventors: **Issei Otsubo**, Aichi-ken (JP); **Yoshihide Aoyama**, Aichi-ken (JP); **Takeo Sowa**, Aichi-ken (JP)

OTHER PUBLICATIONS

Subaru, LEGACY 2004, Brochure of LEGACY, Oct. 2003.
Toyota, ALLEX 2004, Brochure of ALLEX, Apr. 2004.

(73) Assignee: **Toyota Jidosha Kabushiki Kaisha** (JP)

* cited by examiner

(**) Term: **14 Years**

Primary Examiner—Melody N. Brown

(21) Appl. No.: **29/240,174**

(74) *Attorney, Agent, or Firm*—SAIDMAN DesignLaw Group

(22) Filed: **Oct. 7, 2005**

(57) **CLAIM**

(51) **LOC (8) Cl.** **12-16**

The ornamental design for a front bumper for an automobile, as shown and described.

(52) **U.S. Cl.** **D12/169**

(58) **Field of Classification Search** D12/90–92,
D12/86, 169, 196, 163; 296/180.1, 180.2;
293/102, 113, 115, 117, 120
See application file for complete search history.

DESCRIPTION

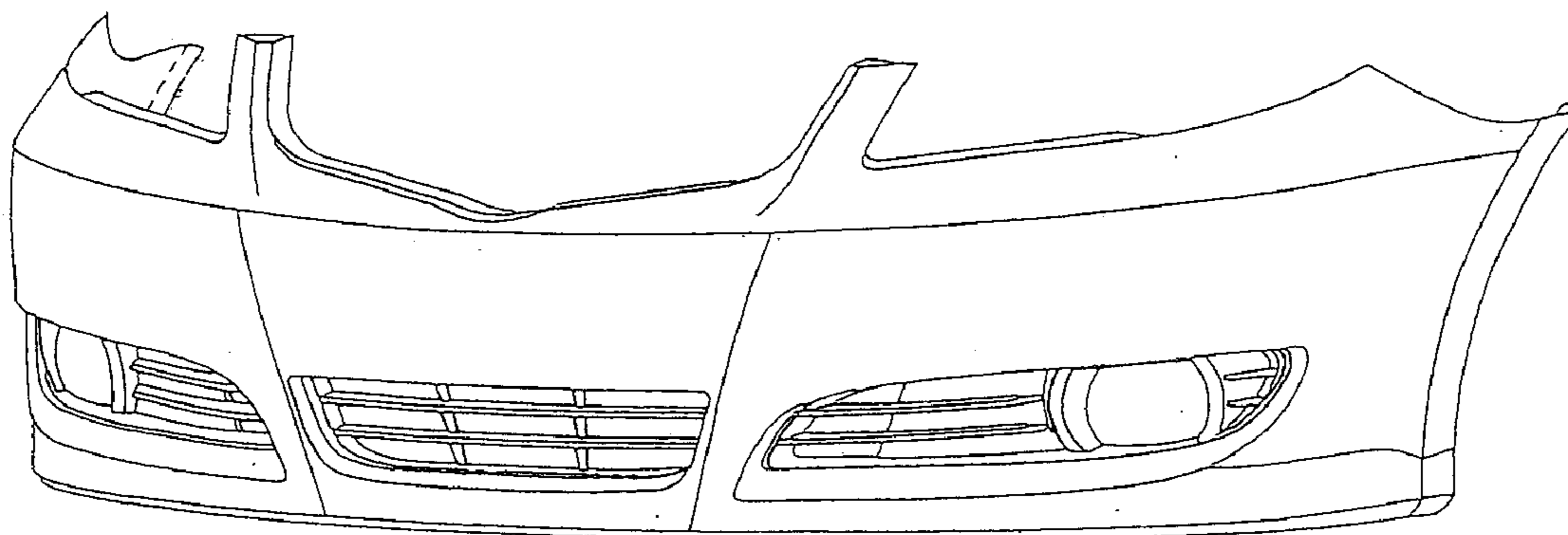
FIG. 1 is a perspective view of a front bumper for an automobile showing our new design;
FIG. 2 is a front view thereof;
FIG. 3 is a top view thereof; and,
FIG. 4 is a right-side view thereof, the left-side view being a mirror image.
The rear view is not part of the claimed design.

(56) **References Cited**

U.S. PATENT DOCUMENTS

- D499,675 S * 12/2004 Sasaki et al. D12/169
- D499,676 S * 12/2004 Chan D12/169
- D502,899 S * 3/2005 Mino et al. D12/169
- D510,304 S * 10/2005 Tabata et al. D12/169

1 Claim, 2 Drawing Sheets



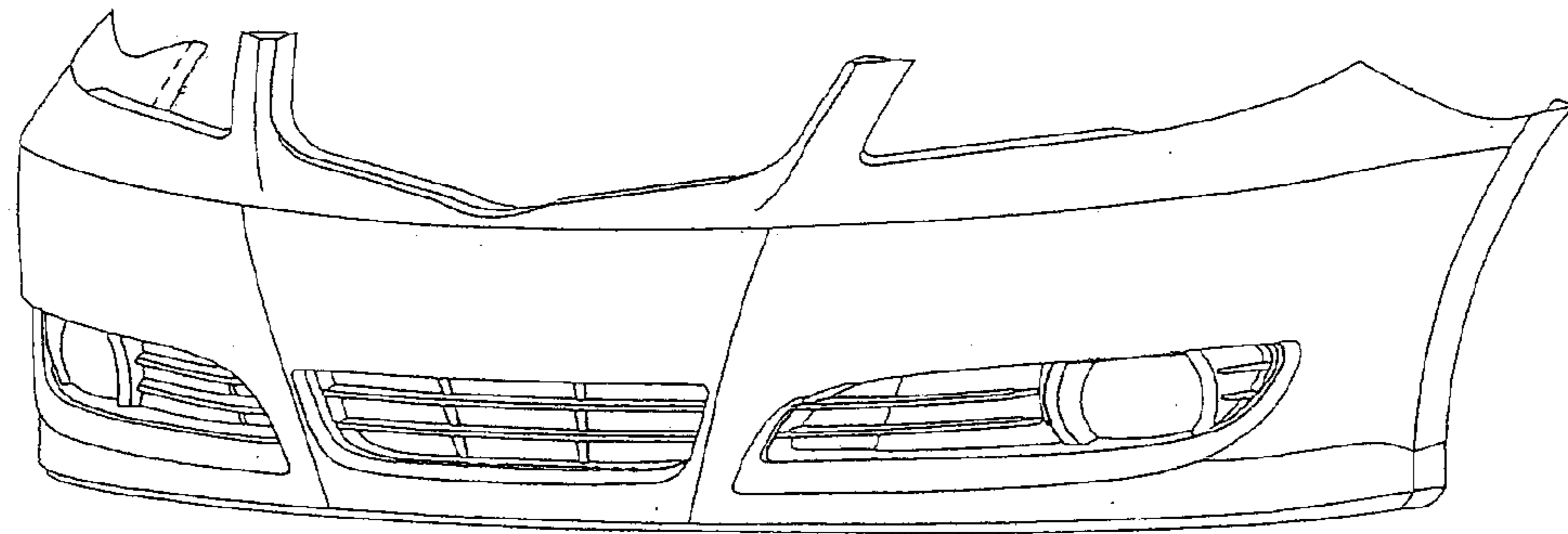


FIG. 1

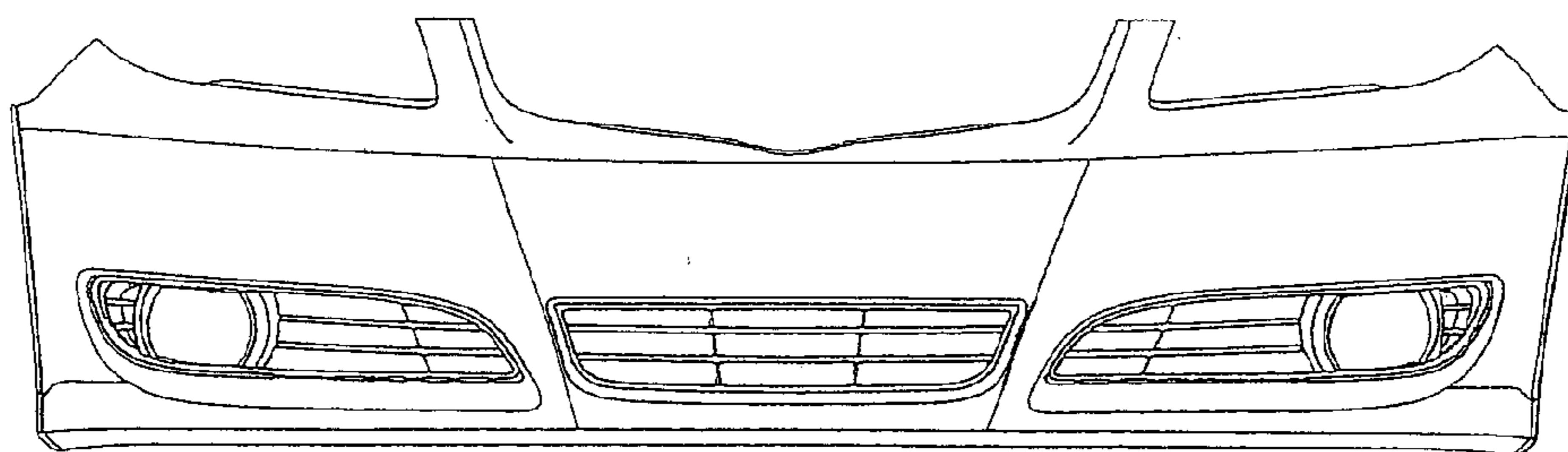


FIG. 2

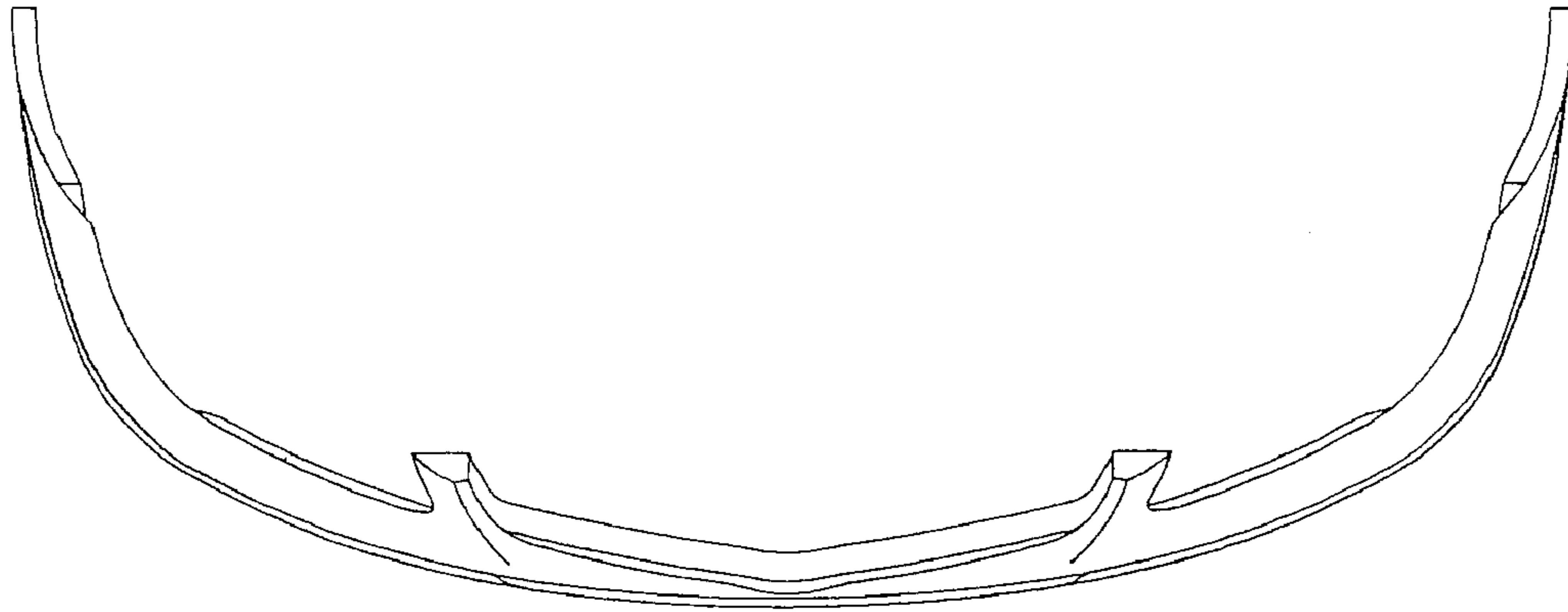


FIG. 3

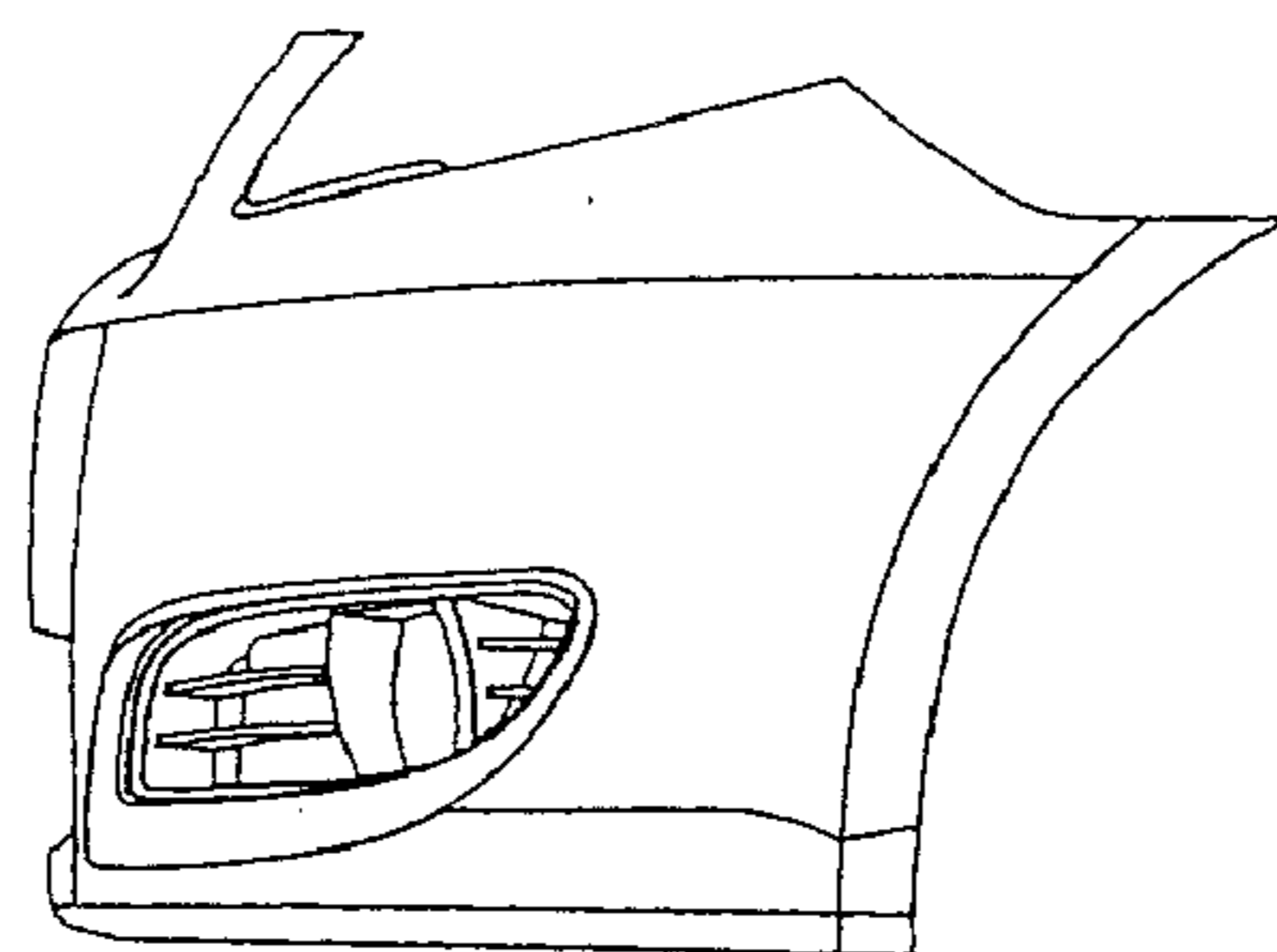


FIG. 4