



US00D535219S

(12) **United States Design Patent**  
**Contarino**

(10) **Patent No.:** **US D535,219 S**

(45) **Date of Patent:** **\*\* Jan. 16, 2007**

(54) **FORWARD CHASSIS AND SUPPORT FOR A CYCLE**

(75) Inventor: **Aldo Contarino**, Woodvale (AU)

(73) Assignee: **Starvalley Pty. Ltd.**, Leederville (AU)

(\*\*) Term: **14 Years**

(21) Appl. No.: **29/227,249**

(22) Filed: **Apr. 8, 2005**

(30) **Foreign Application Priority Data**

Oct. 21, 2004 (AU) ..... 14997/2004

(51) **LOC (8) Cl.** ..... **12-11**

(52) **U.S. Cl.** ..... **D12/114**

(58) **Field of Classification Search** ..... D12/1,  
D12/2, 107, 111; 280/5.2, 7.1, 7.15, 276,  
280/204, 229, 202, 282, 288.4, 293, 2, 296  
See application file for complete search history.

(56) **References Cited**

**U.S. PATENT DOCUMENTS**

5,193,831 A \* 3/1993 Capitoli ..... 280/202  
6,293,560 B1 9/2001 Byatt

**FOREIGN PATENT DOCUMENTS**

WO WO 03/010015 A1 2/2003

\* cited by examiner

*Primary Examiner*—Alan P. Douglas  
*Assistant Examiner*—Linda Brooks  
(74) *Attorney, Agent, or Firm*—Clements Walker

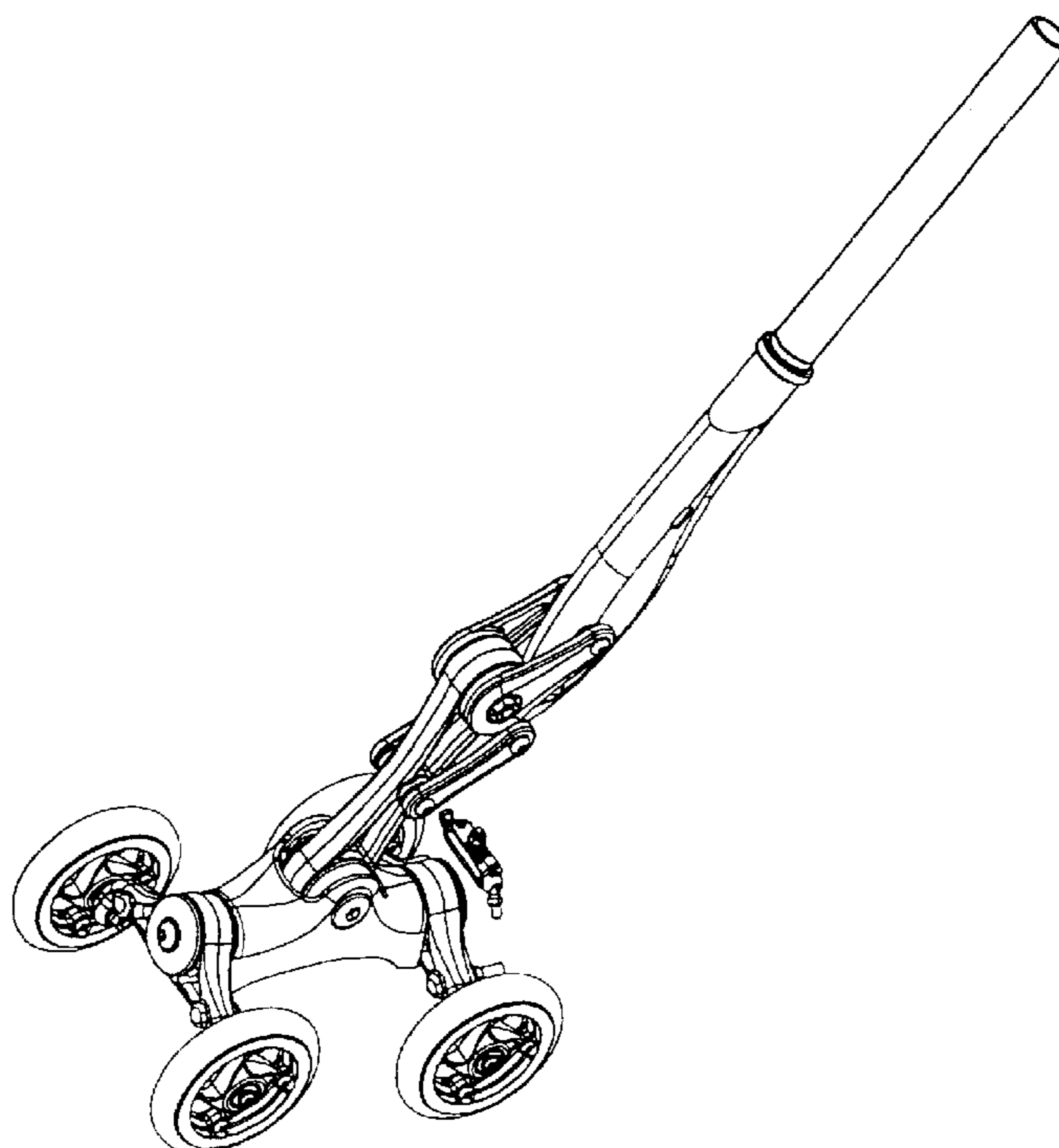
(57) **CLAIM**

The ornamental design for a forward chassis and support for a cycle, or the like, as shown and described.

**DESCRIPTION**

FIG. 1 is an upper perspective view of the invented forward chassis and support for a cycle showing my new design; FIG. 2 is a right side view thereof, the opposite side being a mirror image; FIG. 3 is a front elevational view thereof; FIG. 4 is a top view thereof; FIG. 5 is rear view thereof; FIG. 6 is a bottom view thereof; and FIG. 7 is a lower perspective view thereof. FIG. 8 is an upper perspective view of the forward chassis and support for a cycle showing how the invented forward chassis and support relate to the remainder of the cycle; the cycle itself forming no part of my new design; FIG. 9 is a lower perspective view thereof; FIG. 10 is a side view thereof, the opposite side being a mirror image; FIG. 11 is a bottom view thereof; FIG. 12 is rear view thereof; FIG. 13 is a top view thereof; and, FIG. 14 is a front elevational view thereof. Material shown in dotted lines shows the environment in which the invented design is used, and forms no part of the invented design.

**1 Claim, 14 Drawing Sheets**



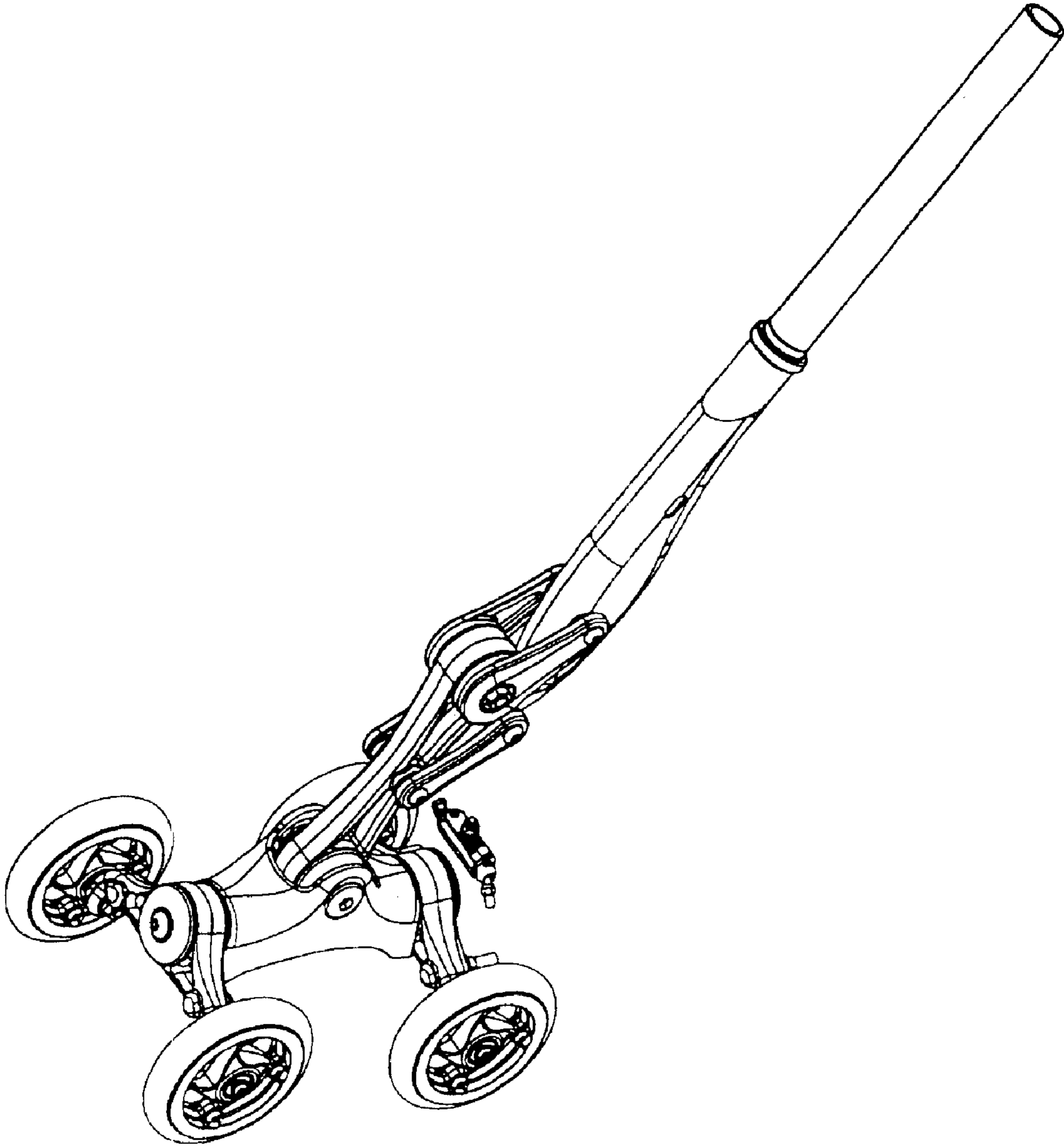


FIGURE 1

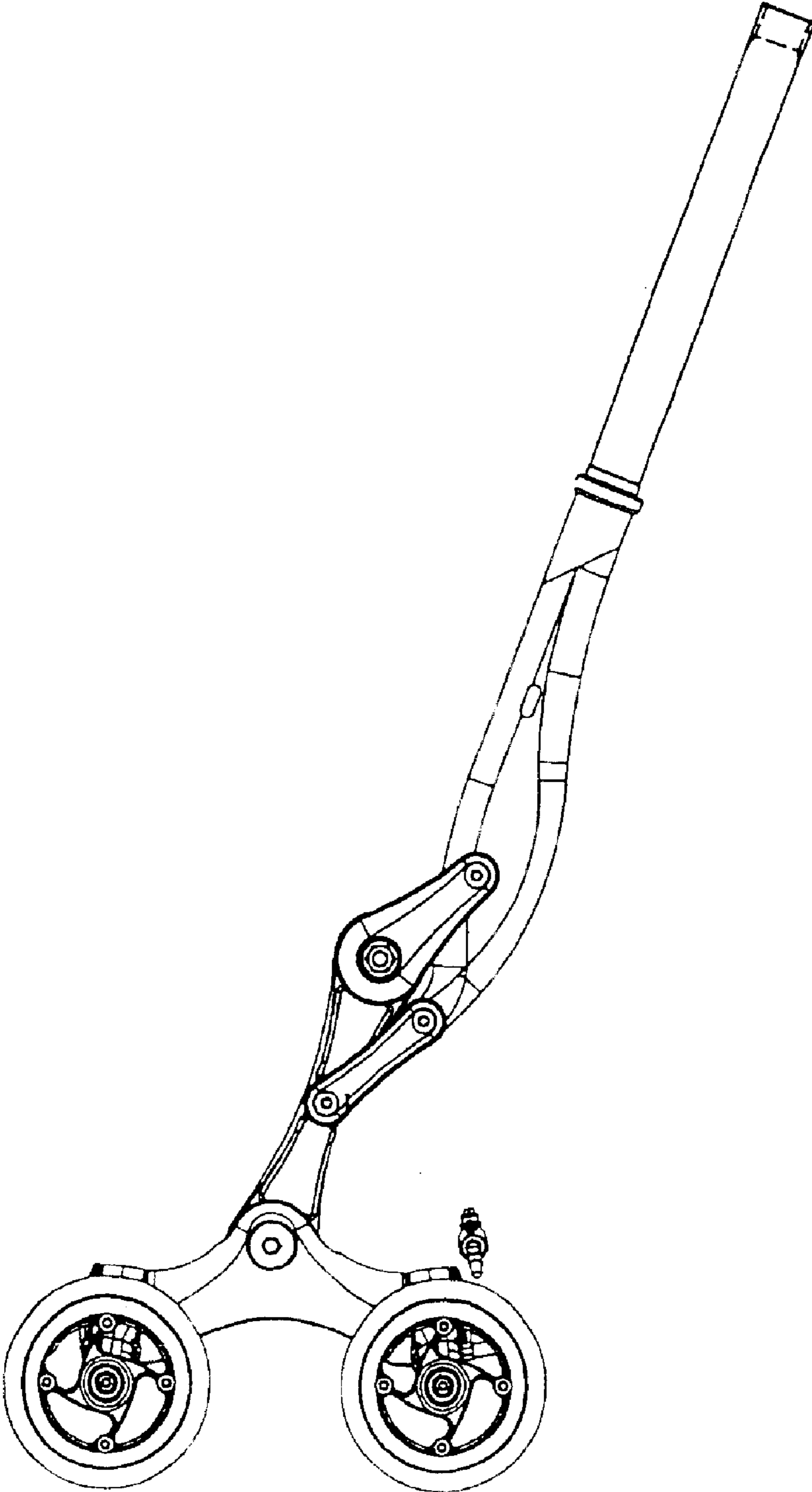


FIGURE 2

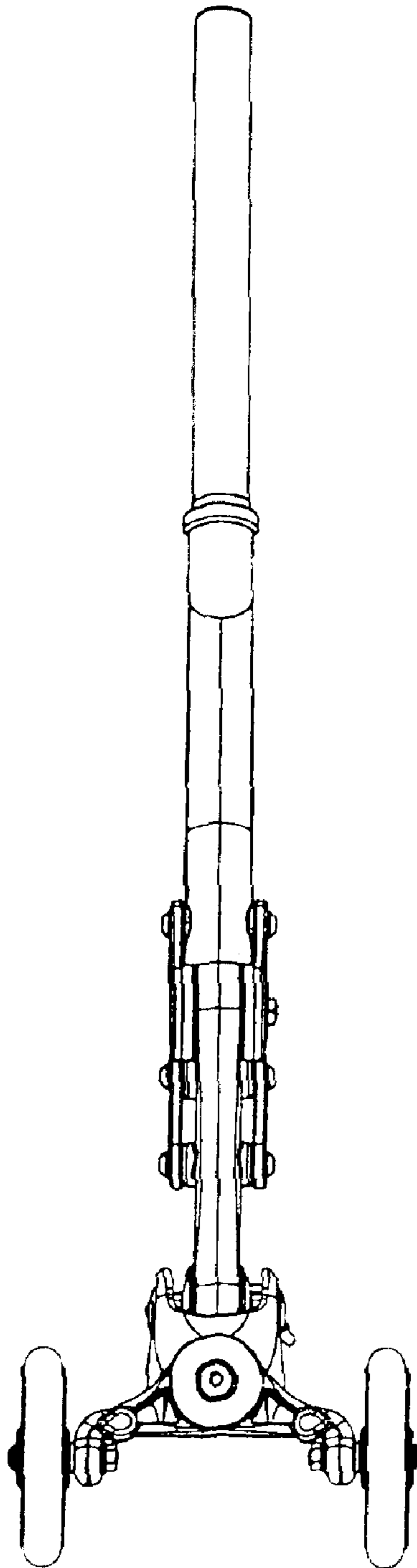


FIGURE 3

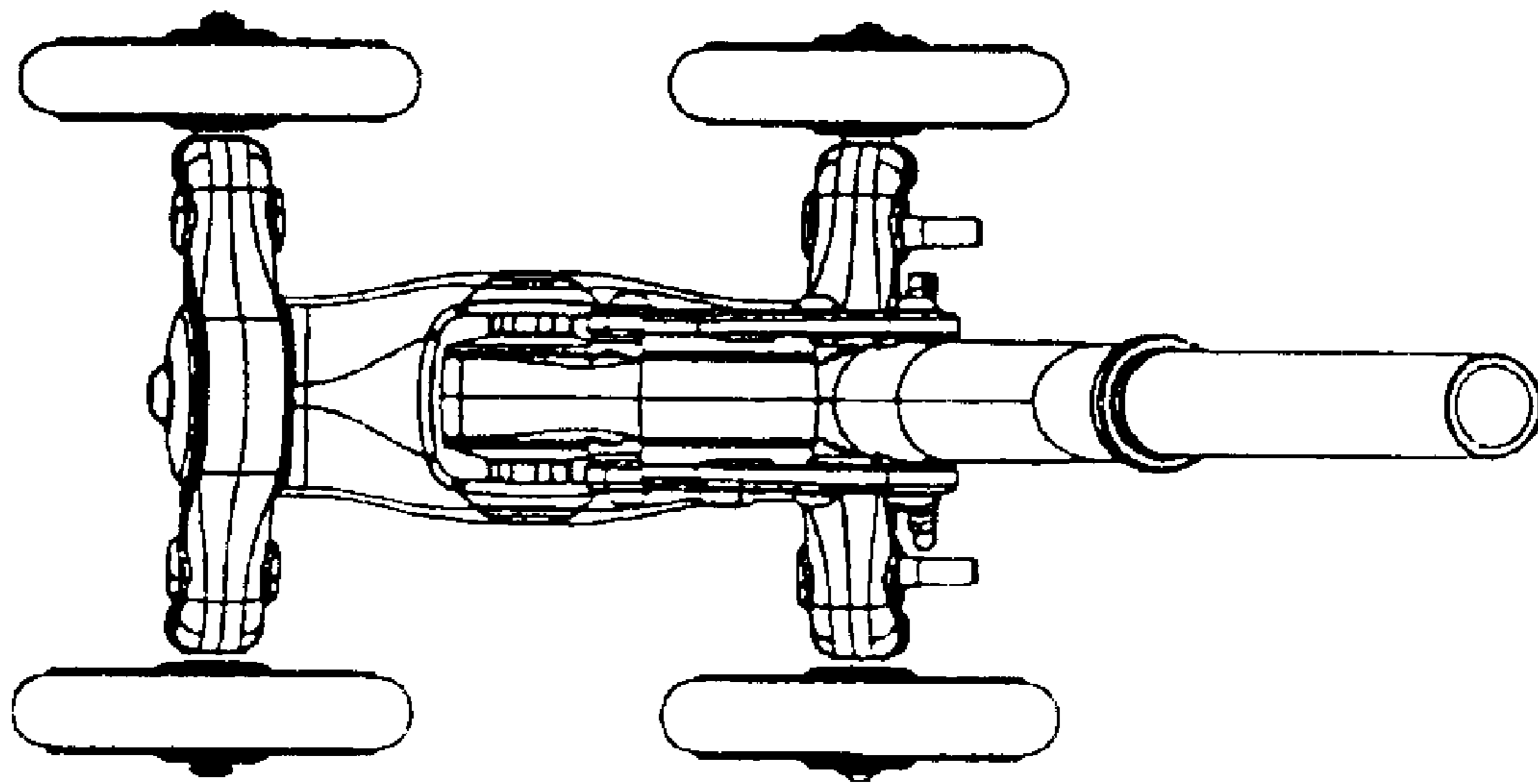


FIGURE 4

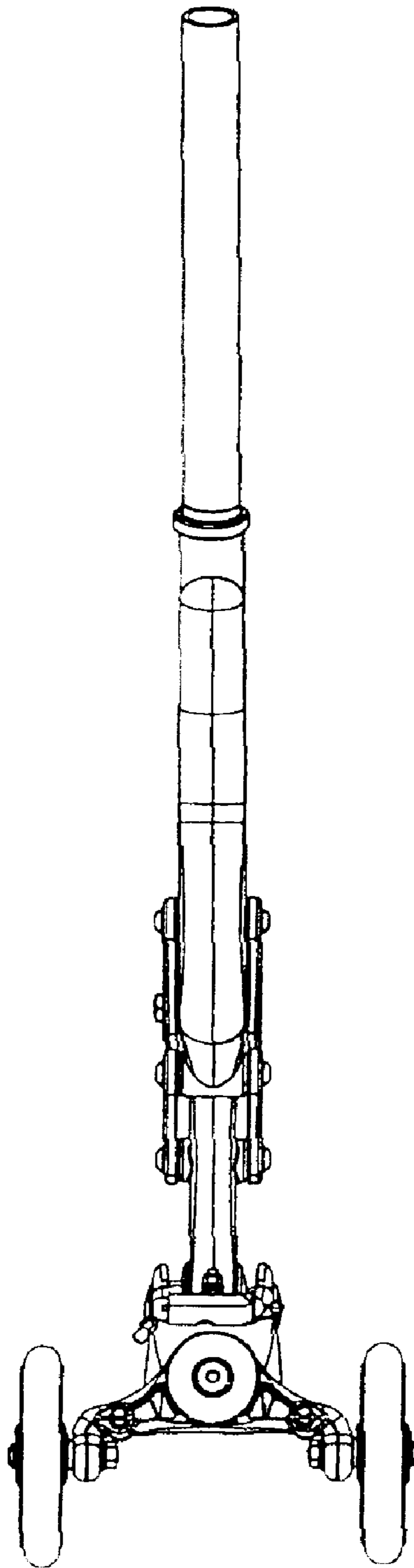


FIGURE 5

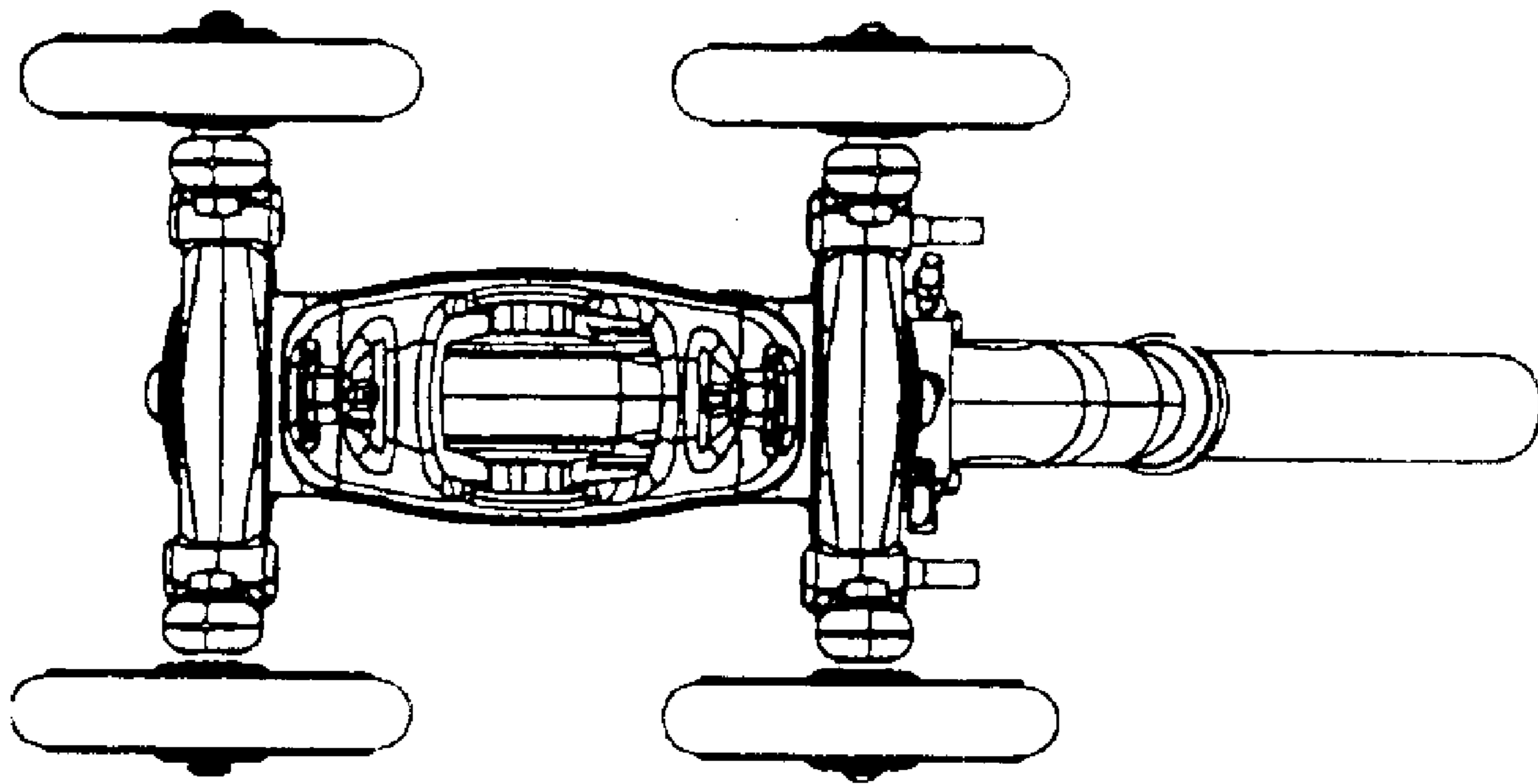


FIGURE 6

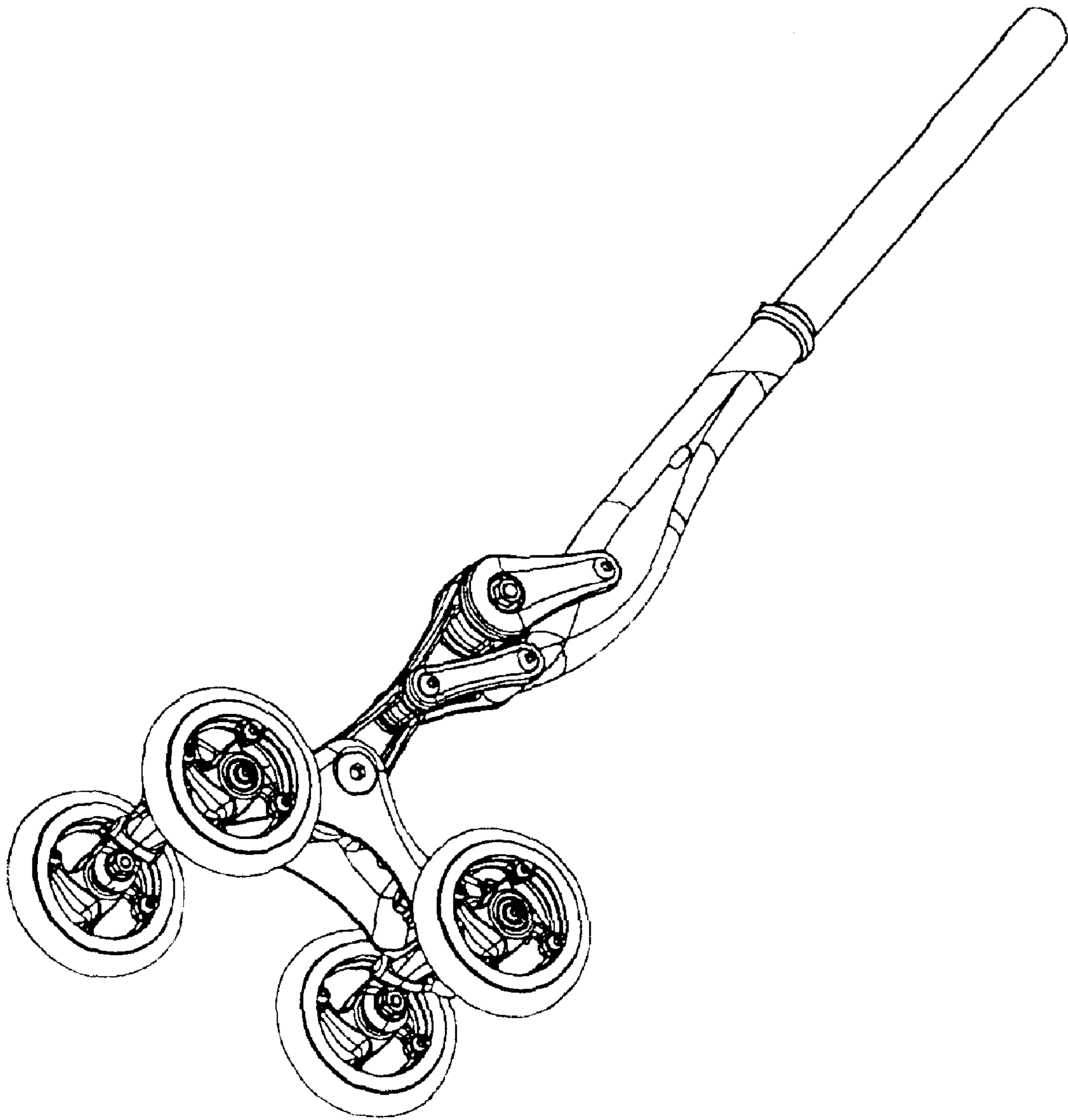


FIGURE 7



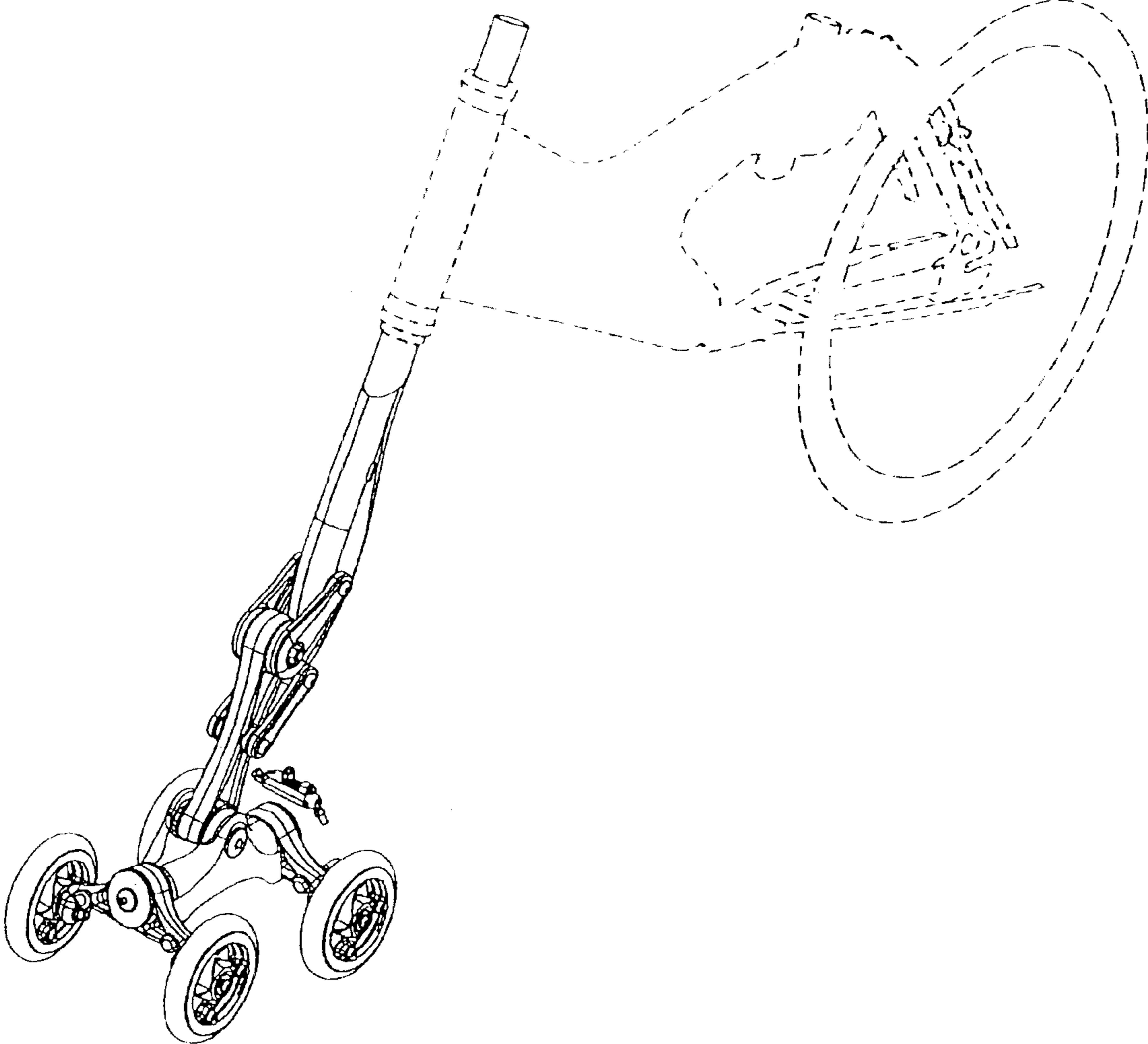


FIGURE 8

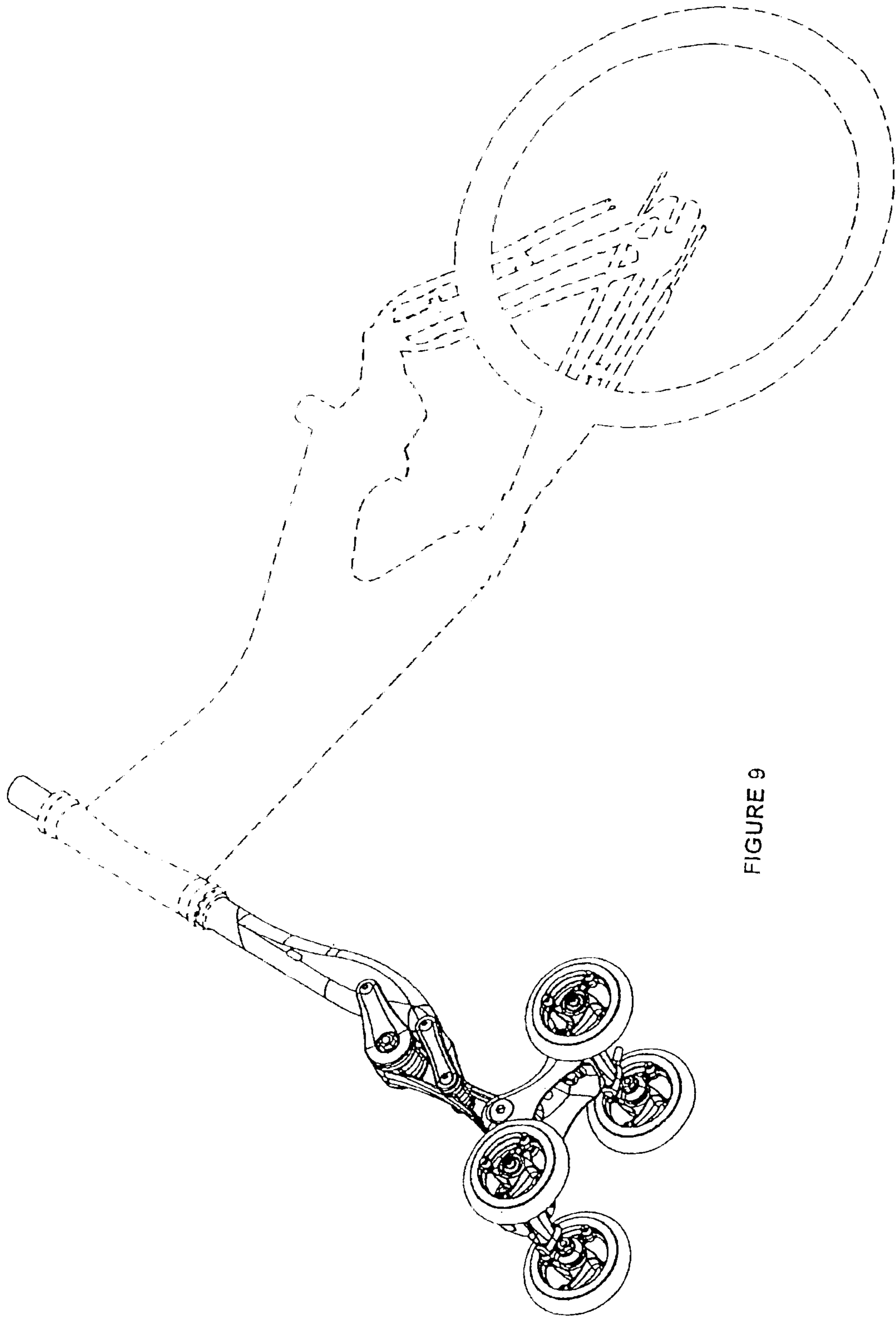


FIGURE 9

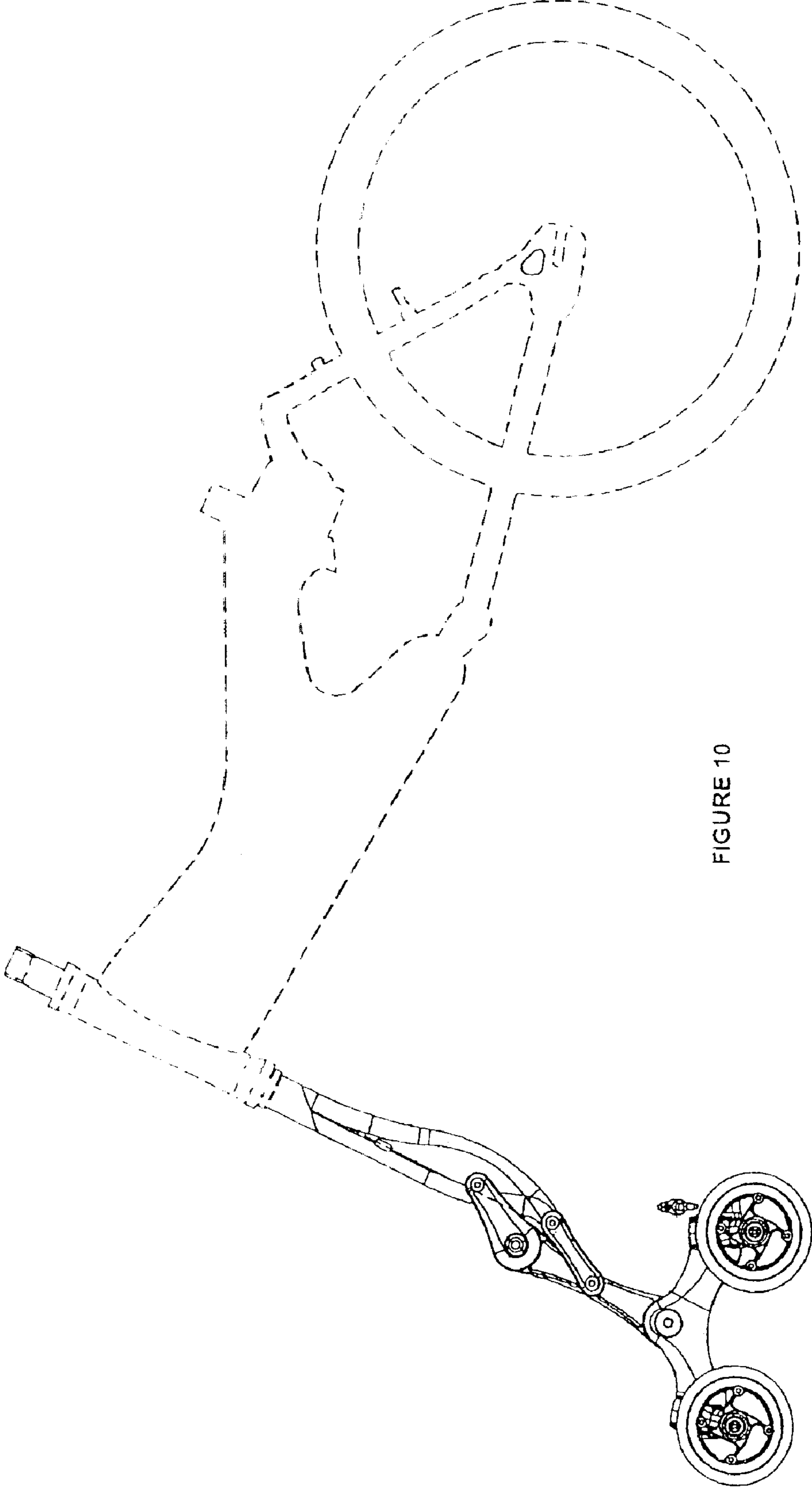


FIGURE 10

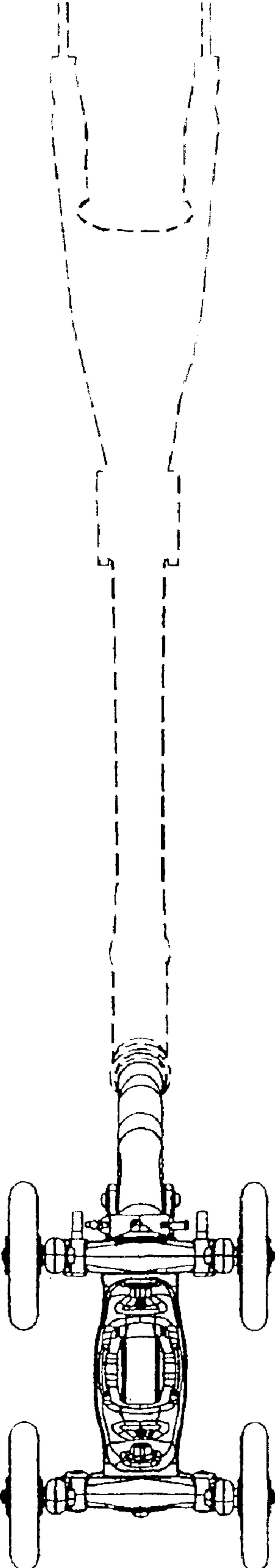


FIGURE 11

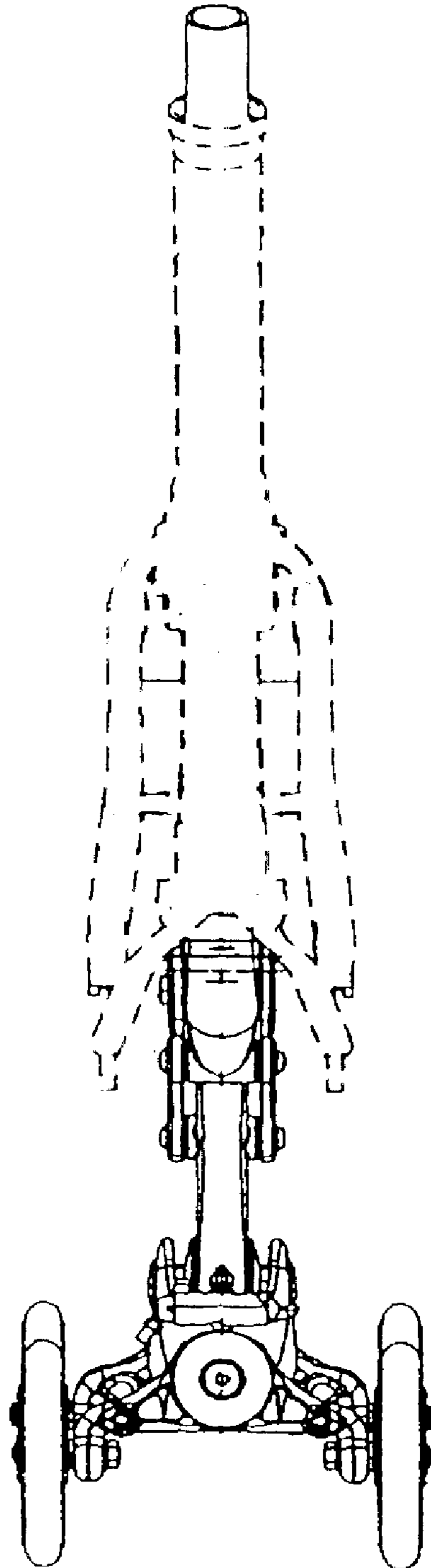


FIGURE 12

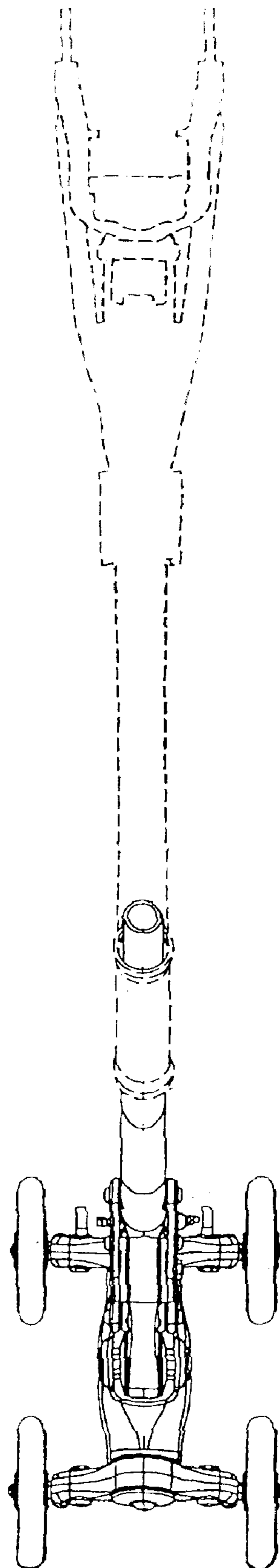


FIGURE 13

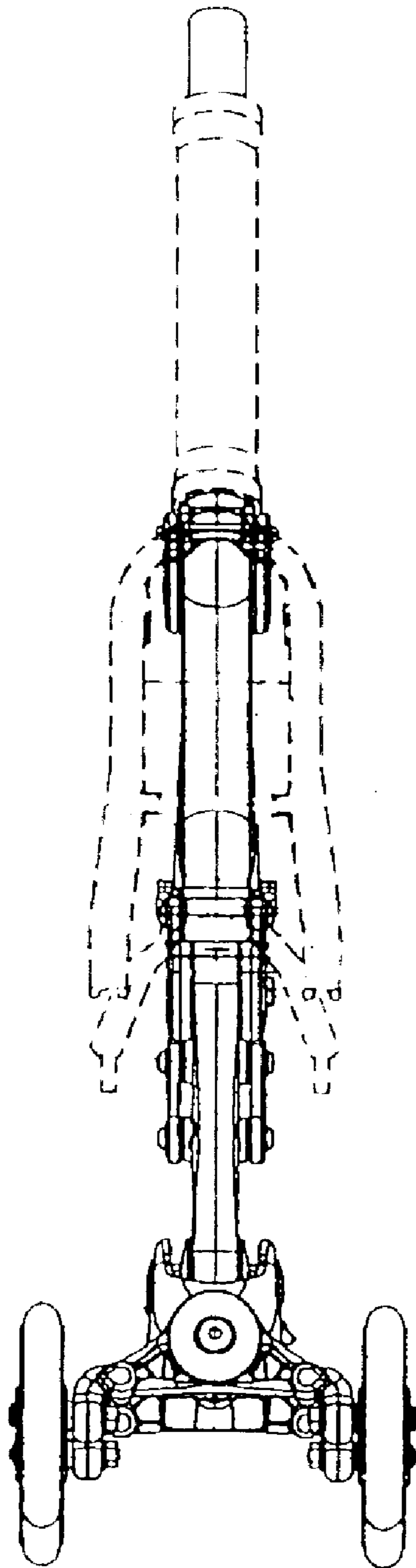


FIGURE 14