



US00D535218S

(12) **United States Design Patent**
Yan

(10) **Patent No.:** **US D535,218 S**

(45) **Date of Patent:** **** Jan. 16, 2007**

(54) **RECREATION VEHICLE**

D228,399 S * 9/1973 Camfield D12/112
4,740,004 A * 4/1988 McMullen 280/282
4,787,470 A * 11/1988 Badsey 180/210

(76) Inventor: **Zhenguang Yan**, No. 001, Chang
Cheng South Road, Chang Cheng
Industrial Park, Yongkang 321300 Zhe
Jiang Province (CN)

* cited by examiner

(**) Term: **14 Years**

Primary Examiner—Stella Reid
Assistant Examiner—Linda Brooks
(74) *Attorney, Agent, or Firm*—David W. Carstens;
Carstens & Cahoon, LLP

(21) Appl. No.: **29/229,158**

(22) Filed: **May 4, 2005**

(57) **CLAIM**

(30) **Foreign Application Priority Data**

The ornamental design for recreation vehicle, as shown and described.

Feb. 7, 2005 (CN) 200530103675

(51) **LOC (8) Cl.** **12-11**

(52) **U.S. Cl.** **D12/113**

(58) **Field of Classification Search** D12/112,
D12/113, 110, 111; 280/282, 827, 828, 202,
280/267, 281.1, 282.2, 62; D21/423, 432,
D21/435, 538; 446/440; 180/220, 210, 211
See application file for complete search history.

DESCRIPTION

FIG. 1 is a front view of a recreation vehicle showing my new design;

FIG. 2 is a rear view thereof;

FIG. 3 is a left side view thereof;

FIG. 4 is a right side view thereof;

FIG. 5 is a bottom view thereof; and,

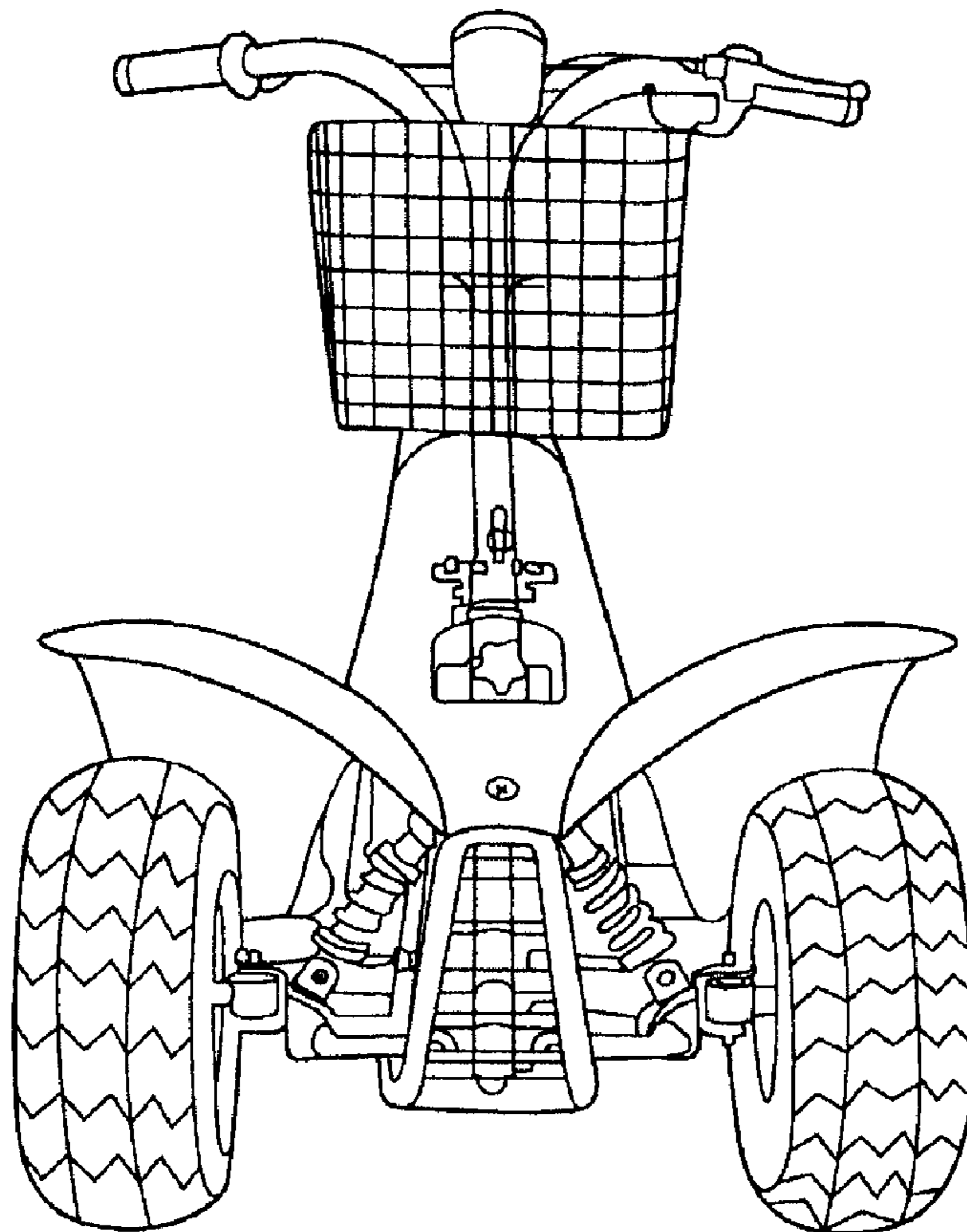
FIG. 6 is a top view thereof.

(56) **References Cited**

U.S. PATENT DOCUMENTS

3,650,344 A * 3/1972 Plessinger et al. 280/282

1 Claim, 3 Drawing Sheets



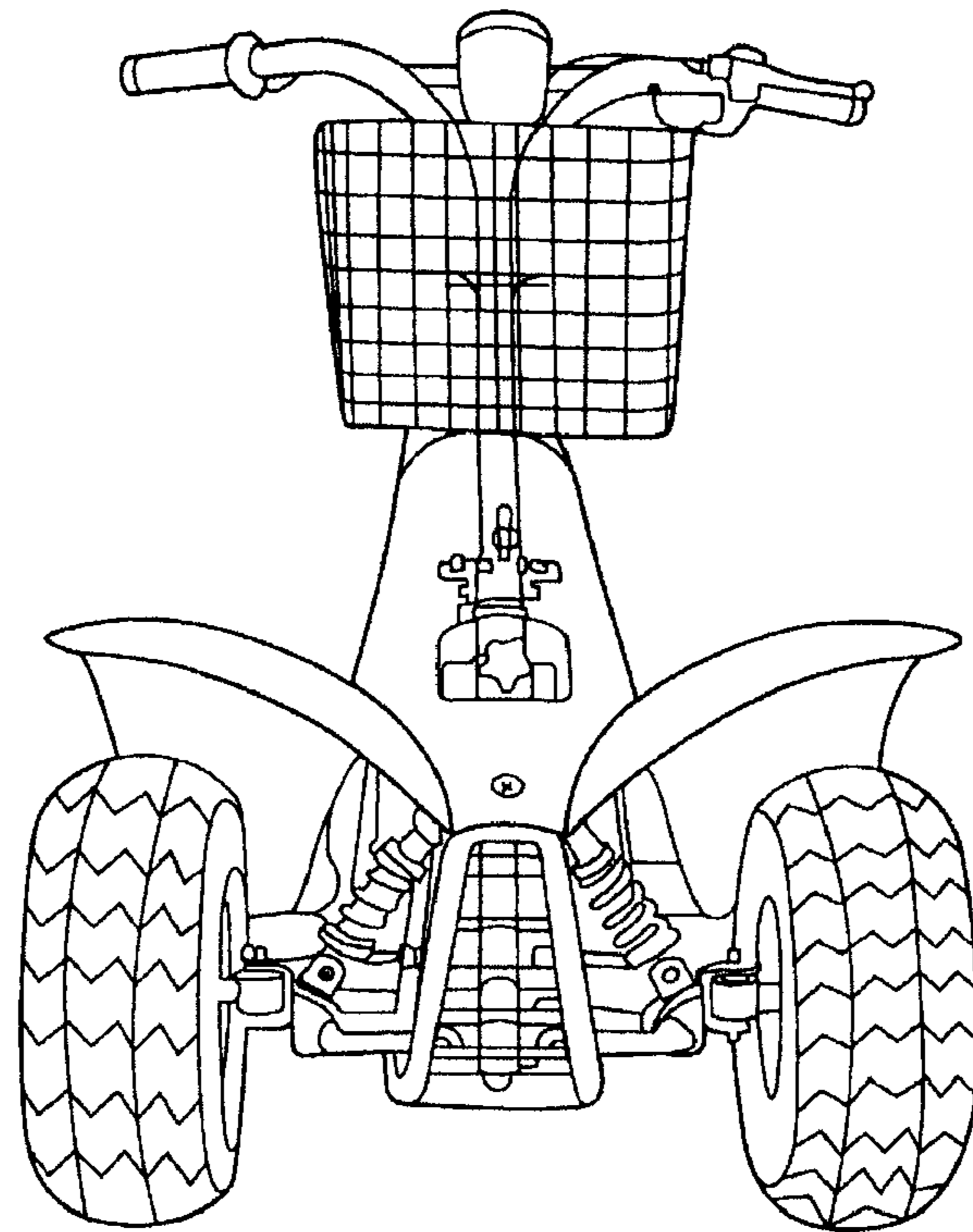


Fig. 1

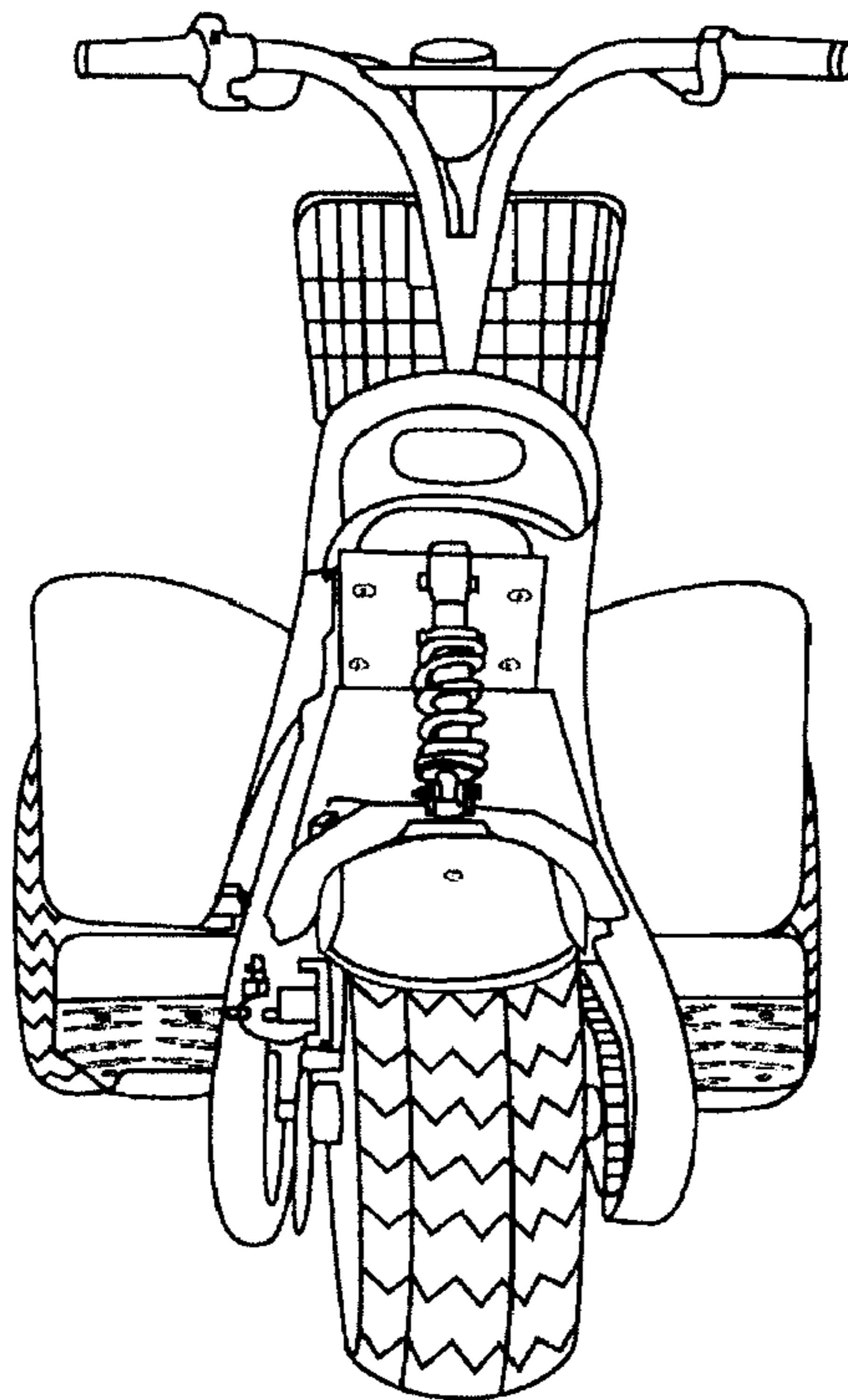


Fig. 2

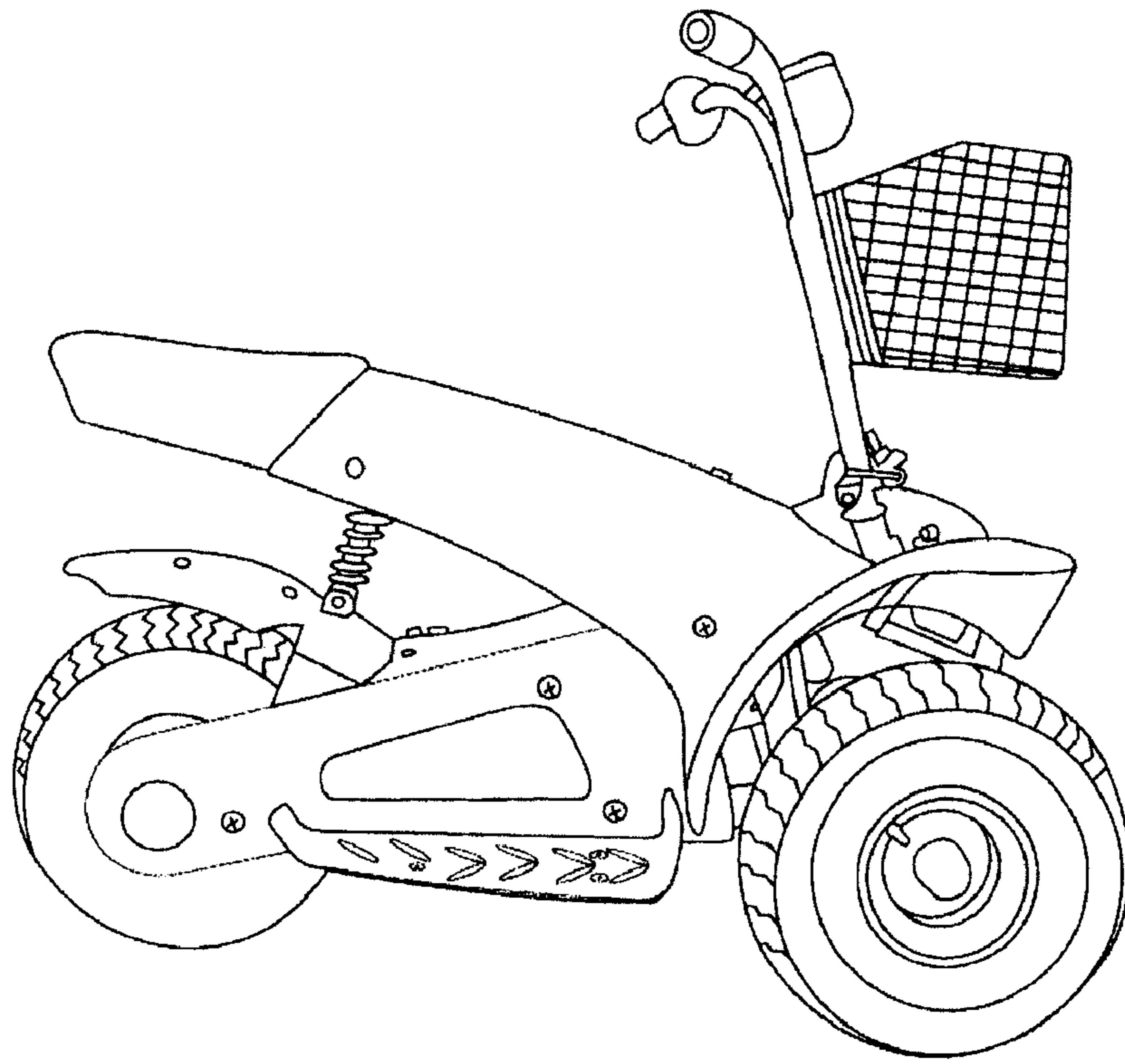


Fig. 3

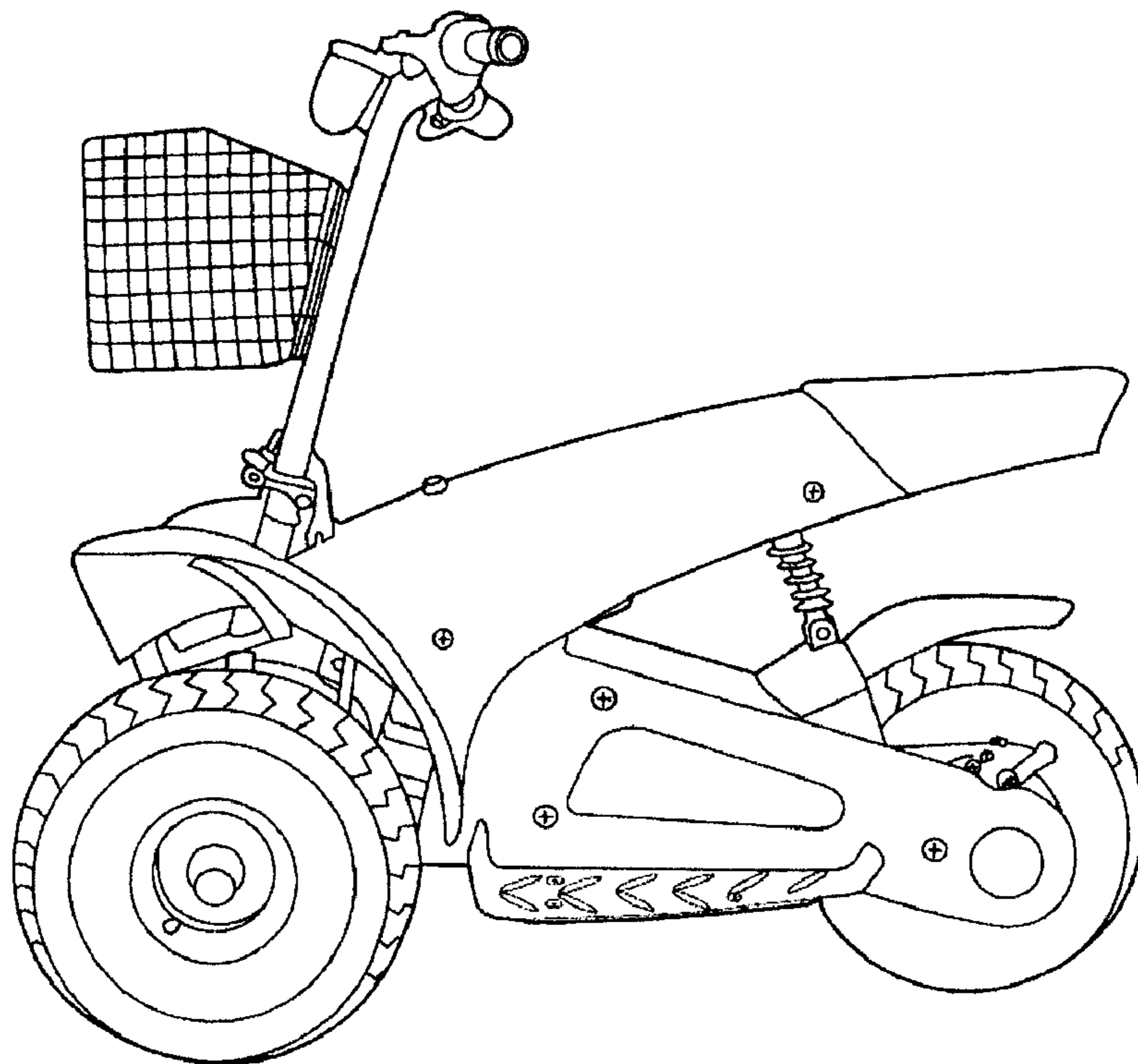


Fig. 4

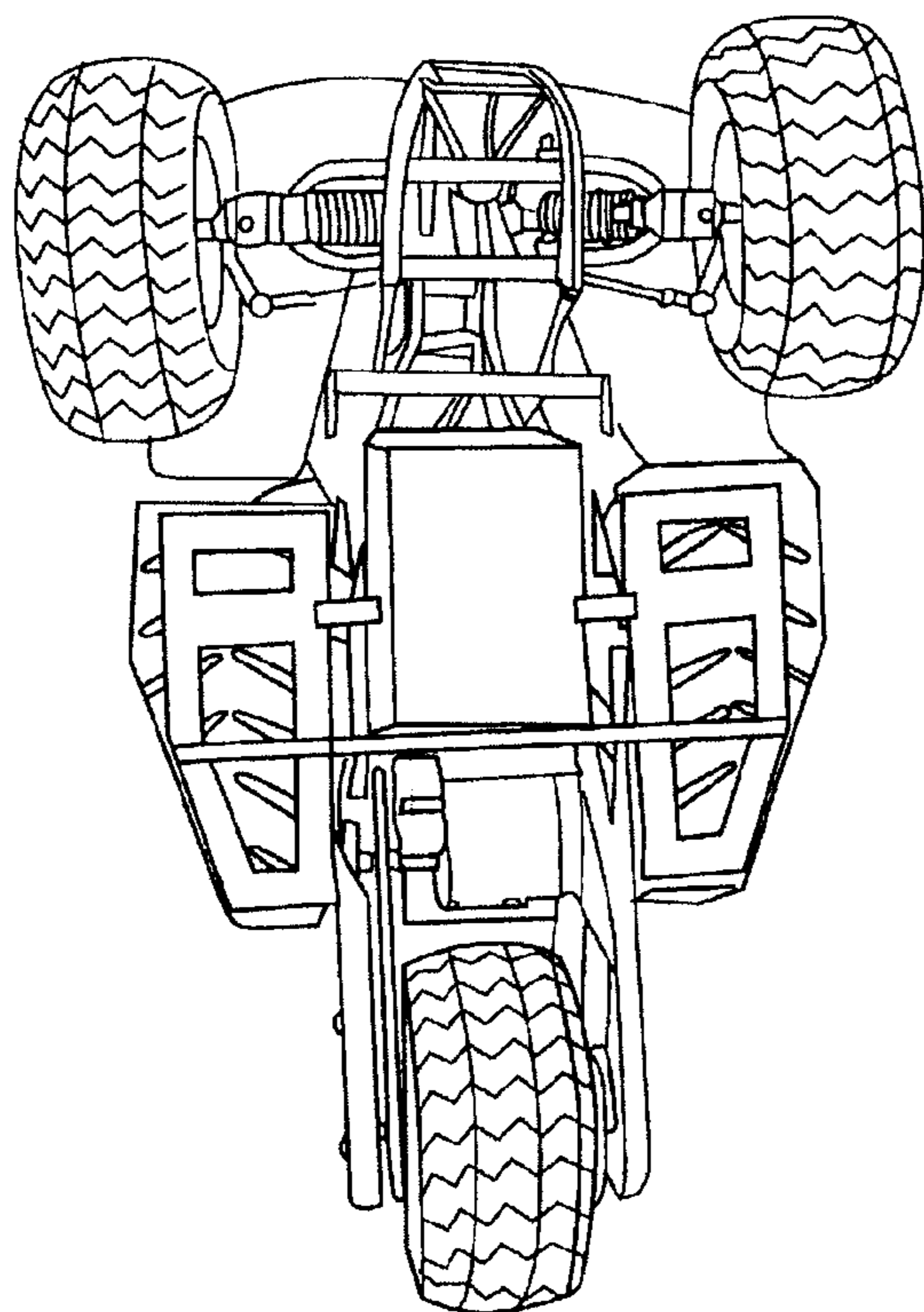


Fig. 5

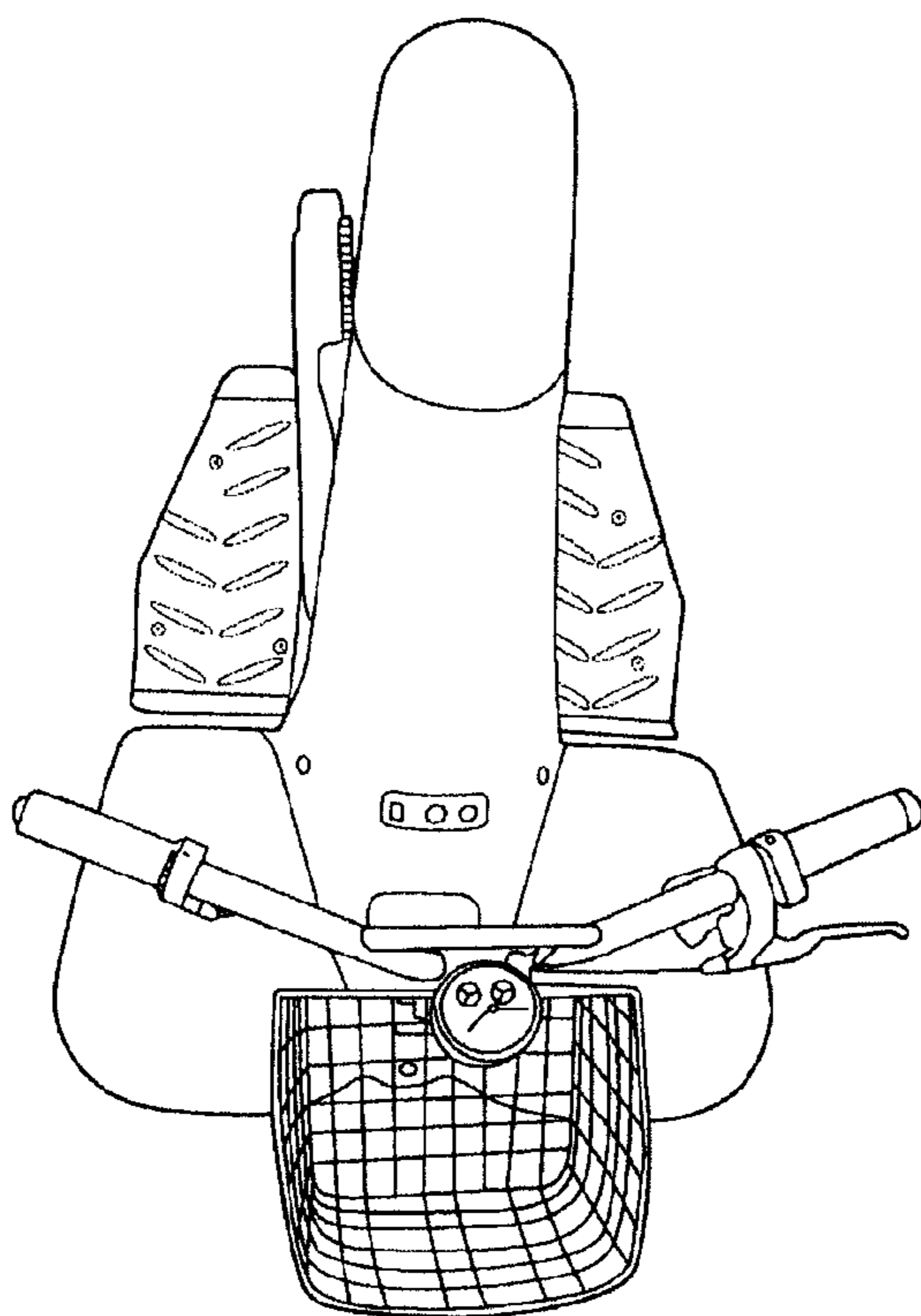


Fig. 6