



US00D535215S

(12) **United States Design Patent**
Turner et al.

(10) **Patent No.:** **US D535,215 S**
(45) **Date of Patent:** **** Jan. 16, 2007**

(54) **GO-CART**

D500,707 S * 1/2005 Lu D12/87
D503,658 S * 4/2005 Lu D12/87

(75) Inventors: **David Turner**, Augusta, GA (US);
Gary Trzcianka, Augusta, GA (US)

* cited by examiner

(73) Assignee: **Asian Ventures, Inc.**, Augusta, GA
(US)

Primary Examiner—Melody N. Brown
(74) *Attorney, Agent, or Firm*—Alfred J. Mangels

(**) Term: **14 Years**

(57) **CLAIM**

The ornamental design for a go-cart, as shown and described.

(21) Appl. No.: **29/244,385**

(22) Filed: **Dec. 8, 2005**

DESCRIPTION

(51) **LOC (8) Cl.** **12-08**

FIG. 1 is left front perspective view showing our new design for a go-cart;

(52) **U.S. Cl.** **D12/87**

FIG. 2 is a left rear perspective view thereof;

(58) **Field of Classification Search** D12/87,

FIG. 3 is a left side elevational view thereof;

D12/86, 1; D21/433; 296/181.1

FIG. 4 is a front elevational view thereof;

See application file for complete search history.

FIG. 5 is a top view thereof; and,

FIG. 6 is a left front perspective view of a second embodiment of our new design that includes a different front bumper design.

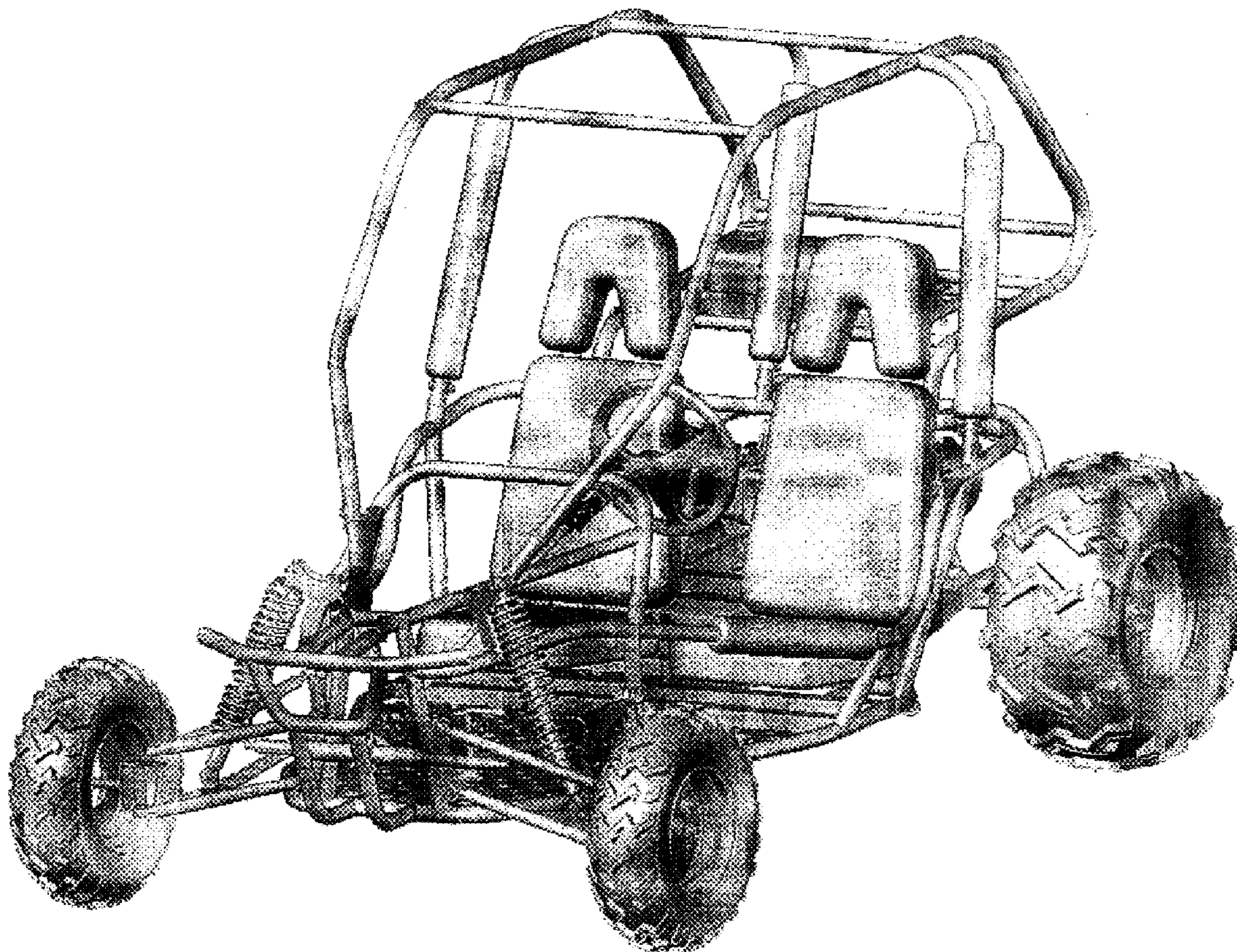
The right side of the go-cart is the mirror image of the left side.

(56) **References Cited**

U.S. PATENT DOCUMENTS

D332,239 S * 1/1993 Hirata et al. D12/1
D342,699 S * 12/1993 Miyamoto et al. D12/1
D433,651 S * 11/2000 Matsumura et al. D12/1
D467,200 S * 12/2002 Luo et al. D12/87

1 Claim, 5 Drawing Sheets



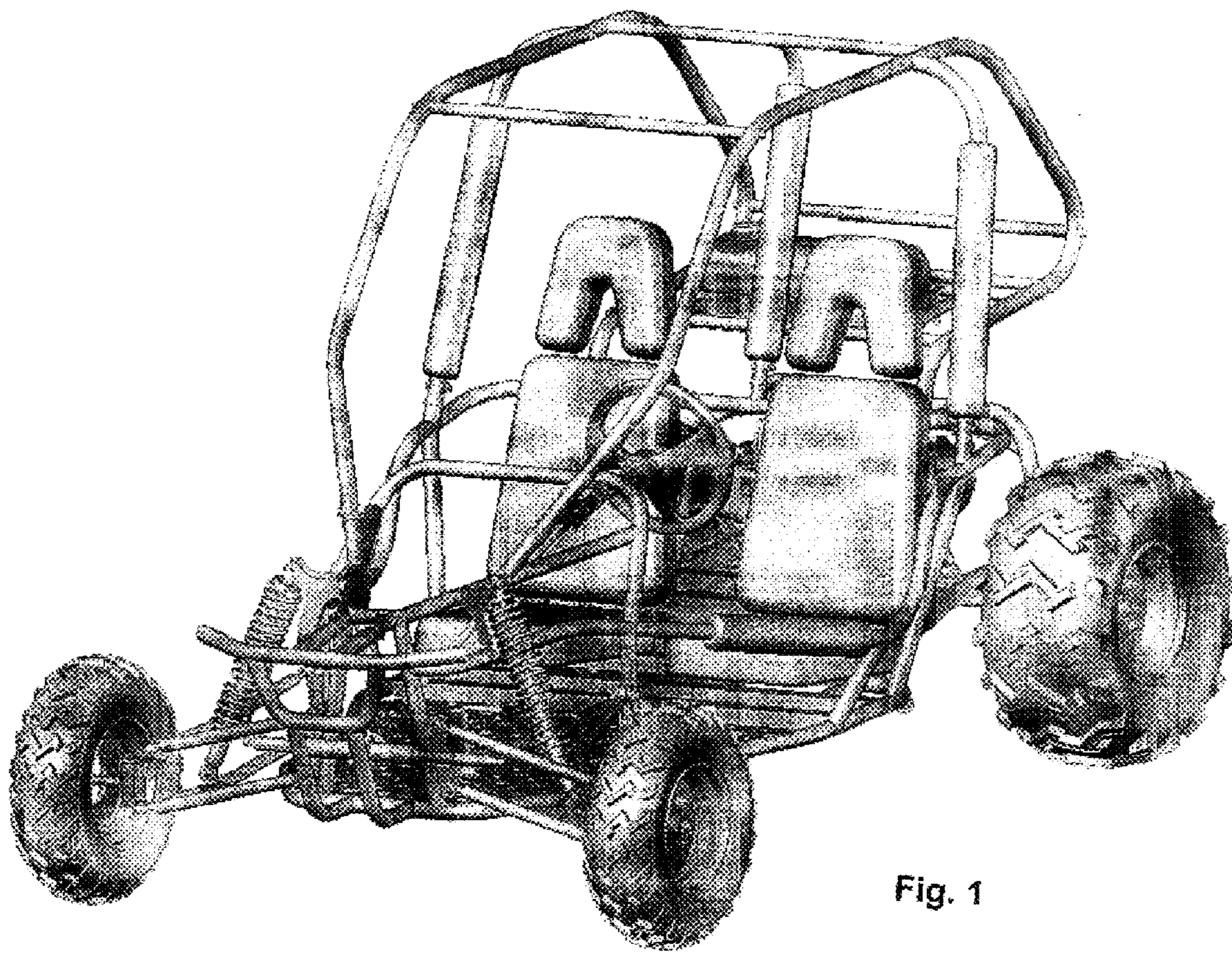


Fig. 1

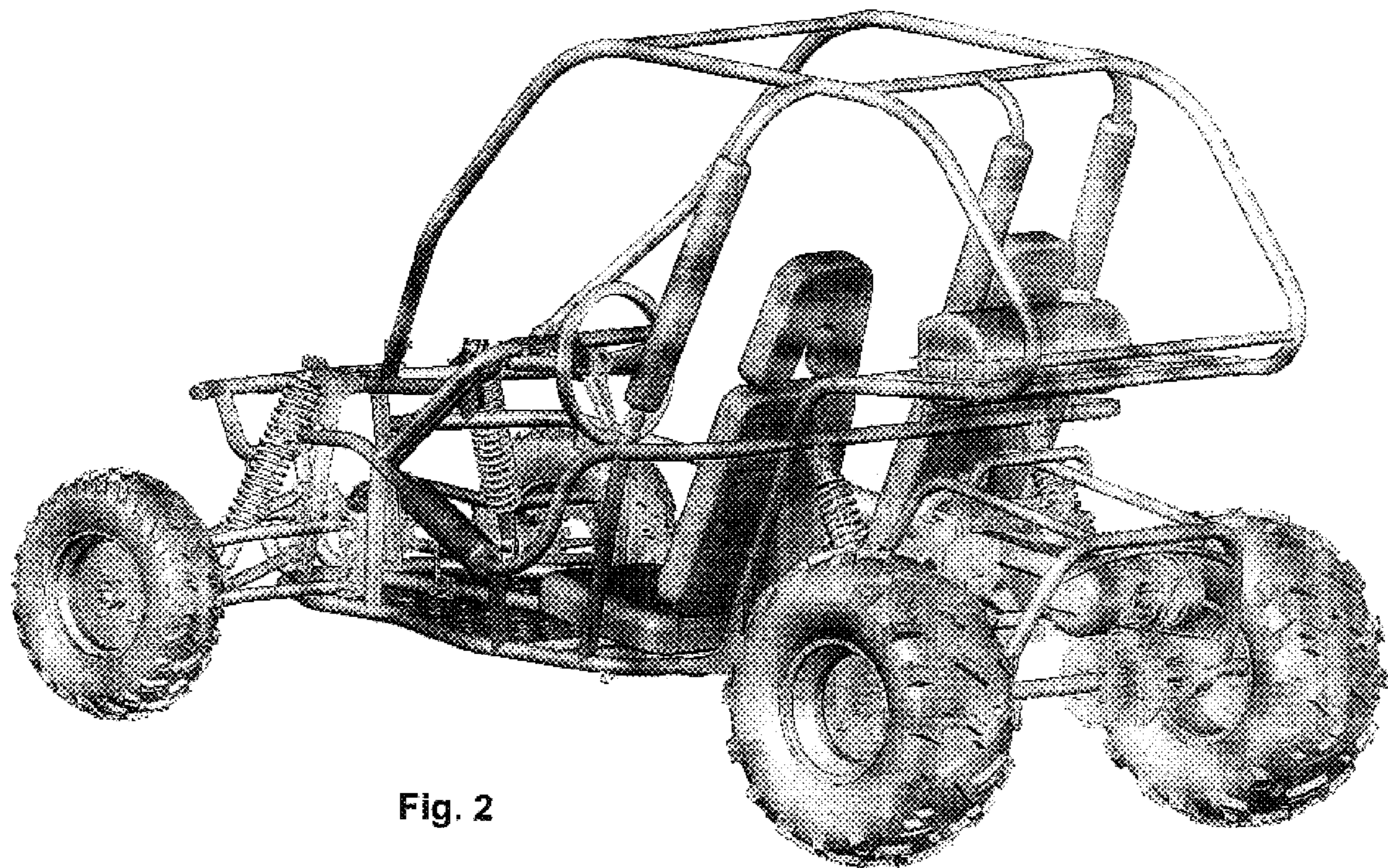


Fig. 2

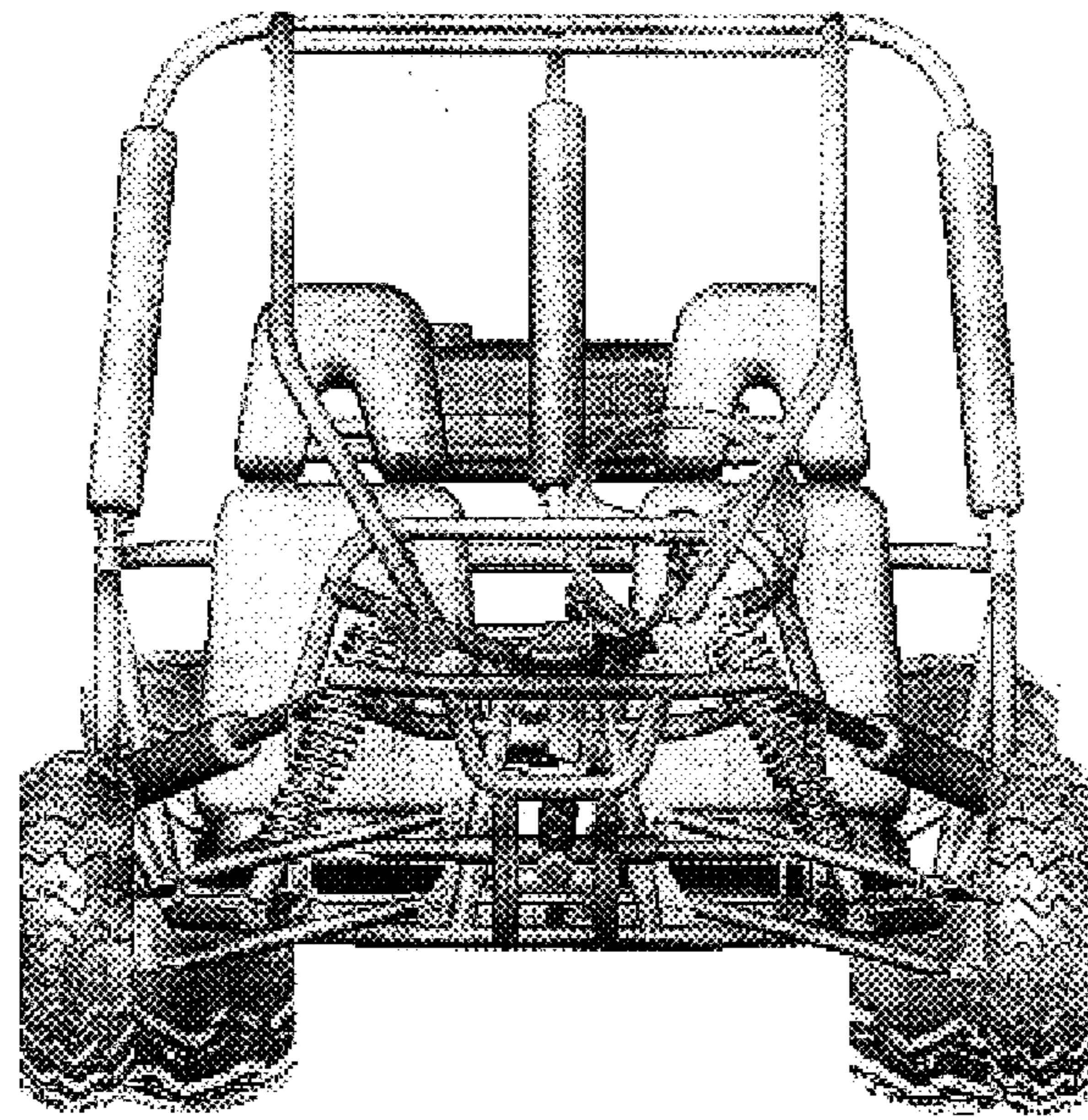
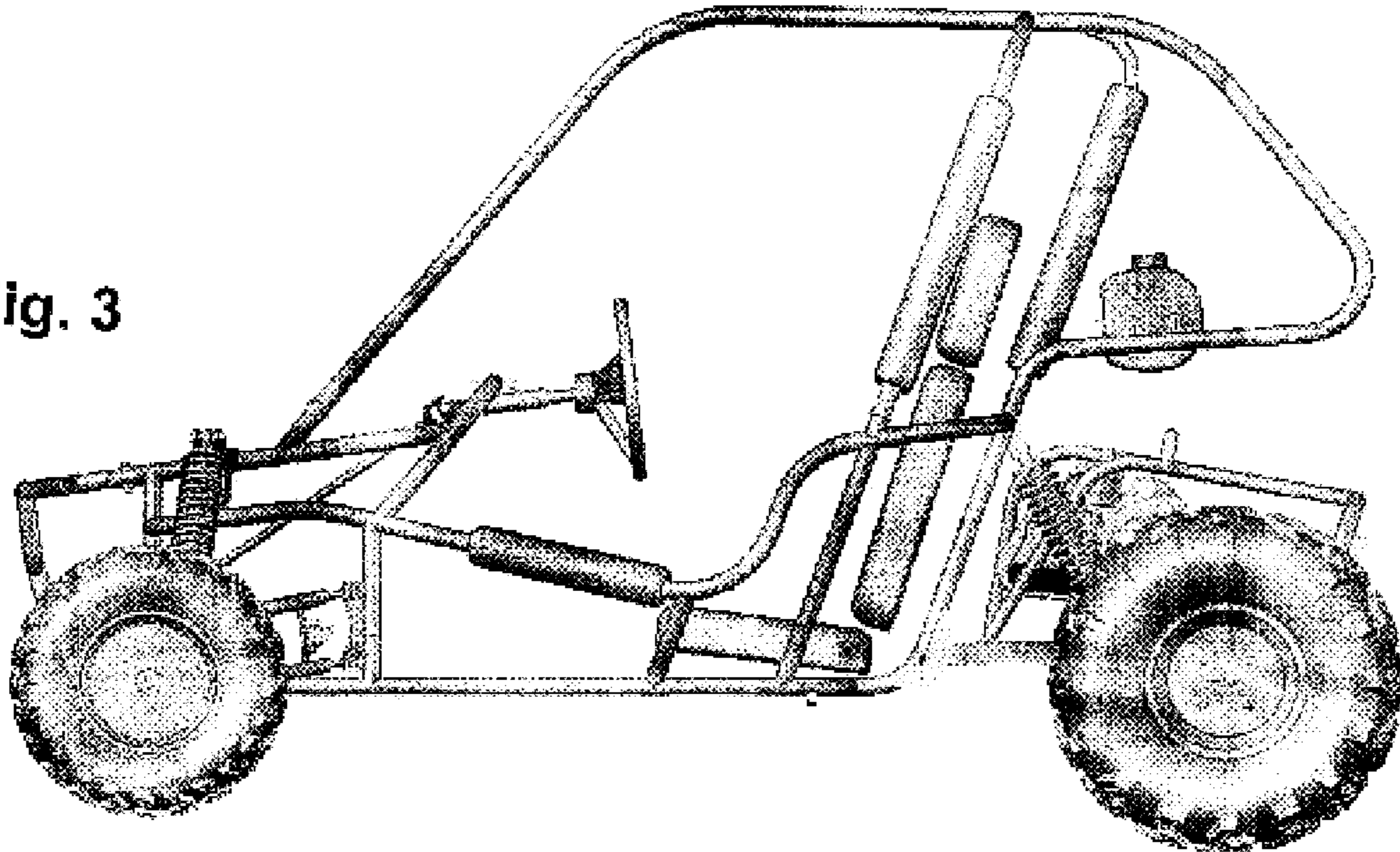


Fig. 4

Fig. 3



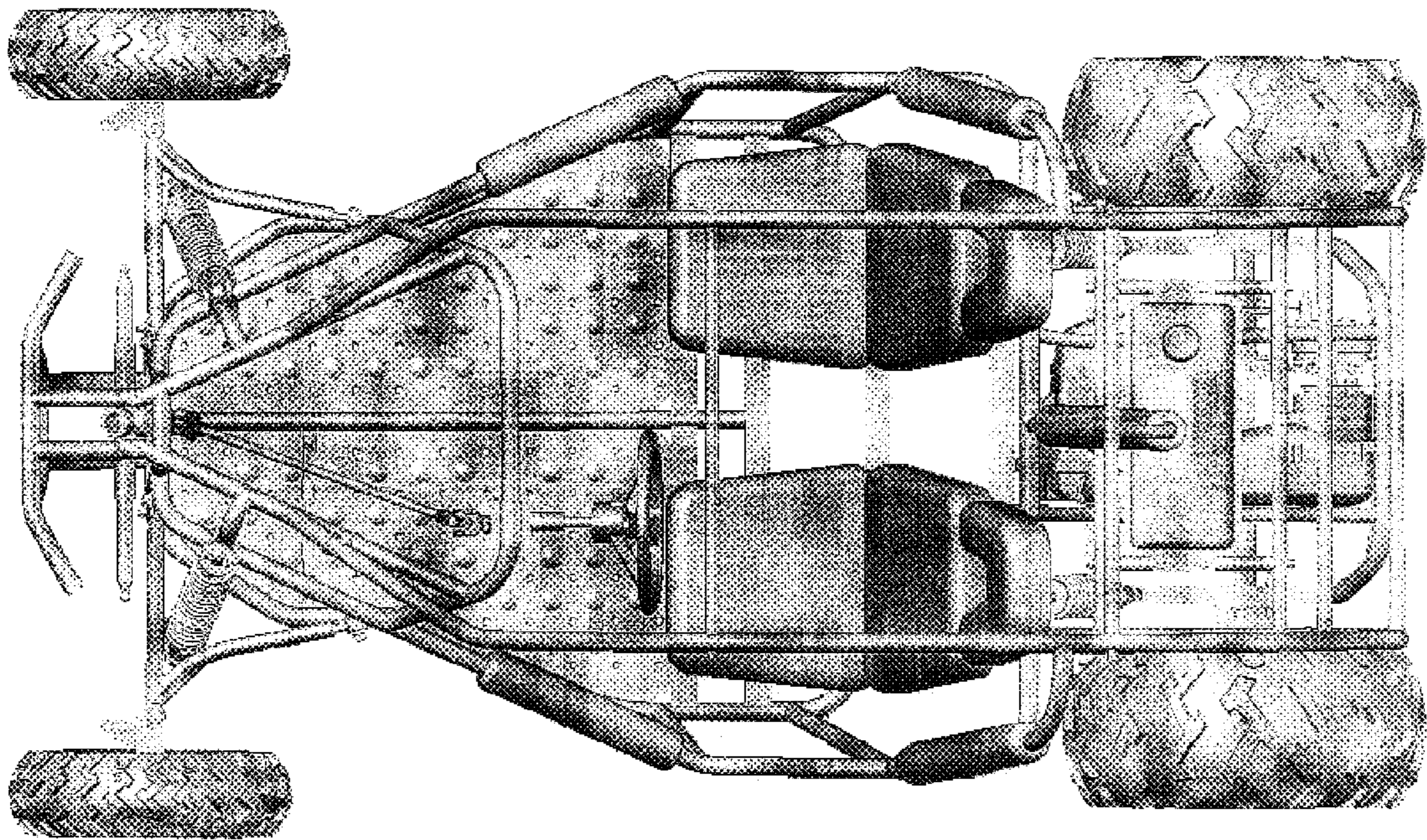


Fig.5

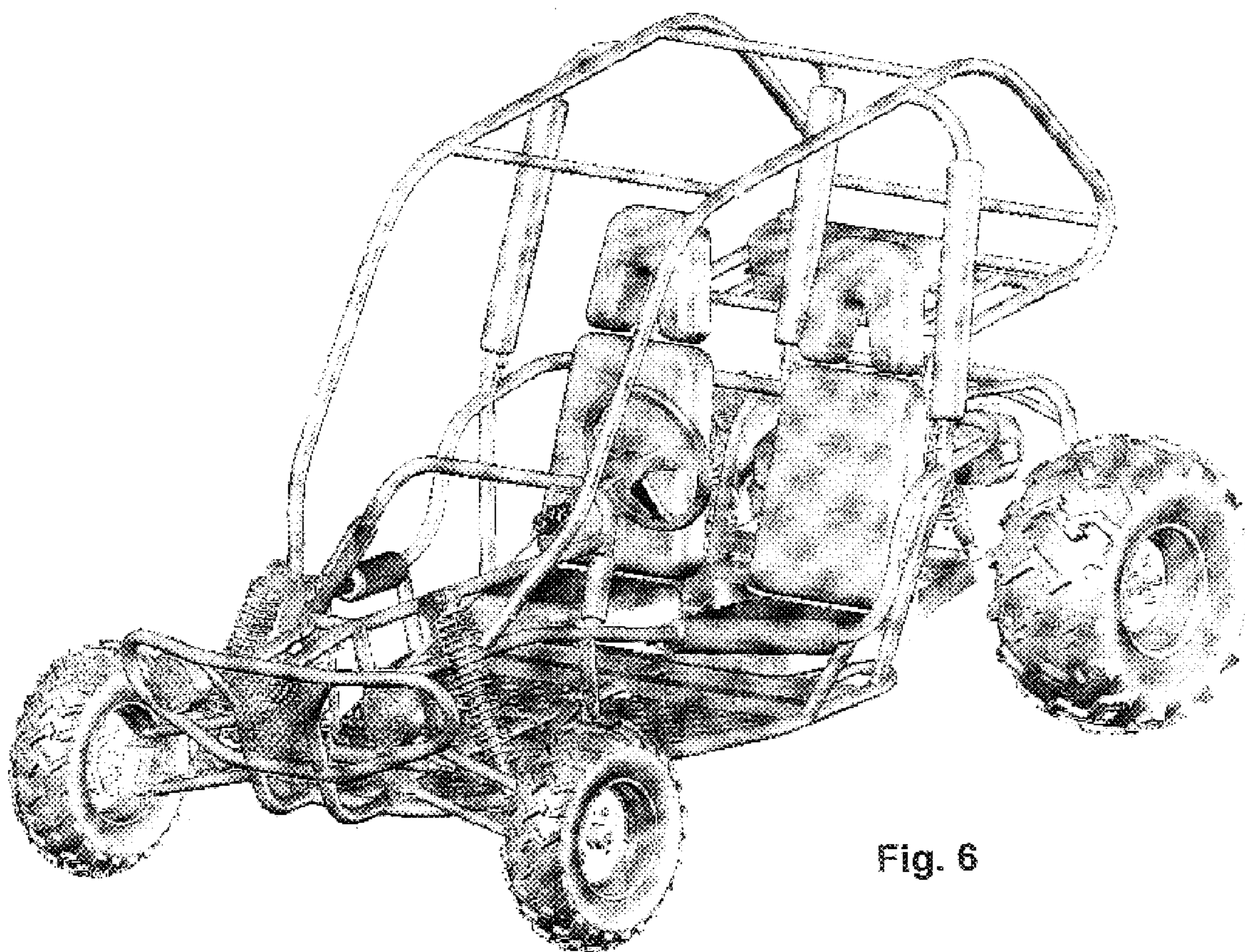


Fig. 6