



US00D535214S

(12) **United States Design Patent**
Kolasa

(10) **Patent No.:** **US D535,214 S**
(45) **Date of Patent:** **** Jan. 16, 2007**

- (54) **BUCKLE**
- (75) Inventor: **Scott Kolasa**, Mount Prospect, IL (US)
- (73) Assignee: **Illinois Tool Works Inc**, Glenview, IL (US)
- (**) Term: **14 Years**
- (21) Appl. No.: **29/260,867**
- (22) Filed: **Jun. 2, 2006**
- (51) **LOC (8) Cl.** **02-07**
- (52) **U.S. Cl.** **D11/216**
- (58) **Field of Classification Search** D11/200,
D11/201, 208–210, 212–218, 220, 230–234,
D11/236–237, 86–87, 94; 63/15.2, 15; 24/307,
24/625, 616, 200, 196, 637, 171, 169, 112,
24/614, 615
See application file for complete search history.

(56) **References Cited**

U.S. PATENT DOCUMENTS

4,606,552 A *	8/1986	Hultqvist	280/801.1
D364,124 S *	11/1995	Lortz et al.	D11/216
6,061,883 A *	5/2000	Uehara	24/625
6,076,894 A *	6/2000	Busch	297/484
6,393,677 B1 *	5/2002	Anscher	24/630
6,796,007 B1 *	9/2004	Anscher	24/633
D511,714 S *	11/2005	Pontaoe	D11/216
D515,456 S *	2/2006	Gastaldi	D11/216

* cited by examiner

Primary Examiner—Ralf Seifert
(74) *Attorney, Agent, or Firm*—Mark W. Croll; Paul F. Donovan

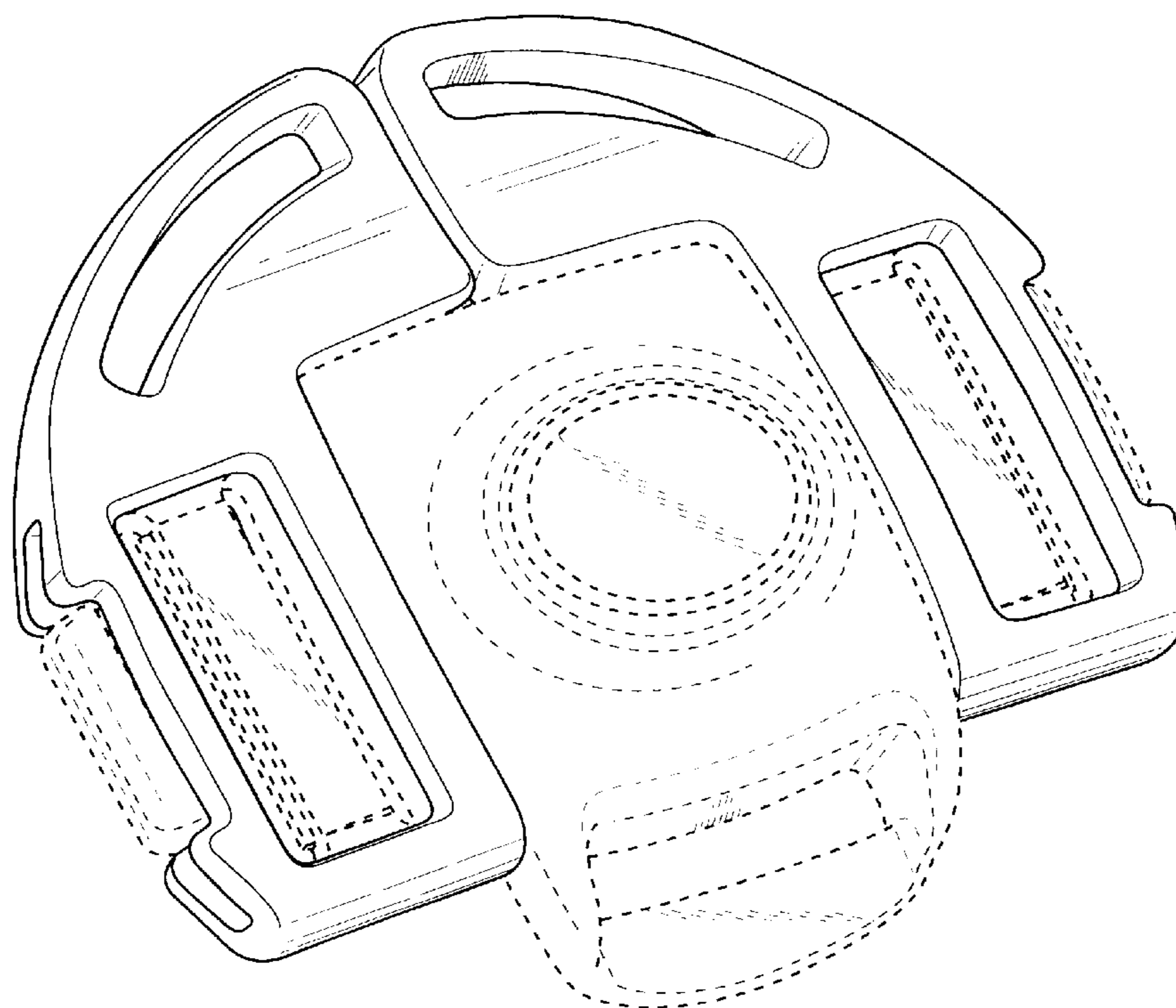
(57) **CLAIM**

The ornamental design for a buckle, as shown and described herein.

DESCRIPTION

FIG. 1 is a perspective view of a buckle showing a new design;
 FIG. 2 is a top plan view thereof;
 FIG. 3 is a bottom plan view thereof;
 FIG. 4 is a right side elevational view thereof;
 FIG. 5 is a left side elevational view thereof;
 FIG. 6 is front end elevational view thereof;
 FIG. 7 is a back end elevational view thereof;
 FIG. 8 is a perspective view of a buckle showing a second embodiment of my new design;
 FIG. 9 is a top plan view of FIG. 8;
 FIG. 10 is a bottom plan view of FIG. 8;
 FIG. 11 is a right side elevational view of FIG. 8;
 FIG. 12 is a left side elevational view of FIG. 8;
 FIG. 13 is a front end elevational view of FIG. 8; and,
 FIG. 14 is a back end elevational view of FIG. 8.
 The broken line portions of the disclosure are for illustrative purposes only and form no part of the claimed design.

1 Claim, 10 Drawing Sheets



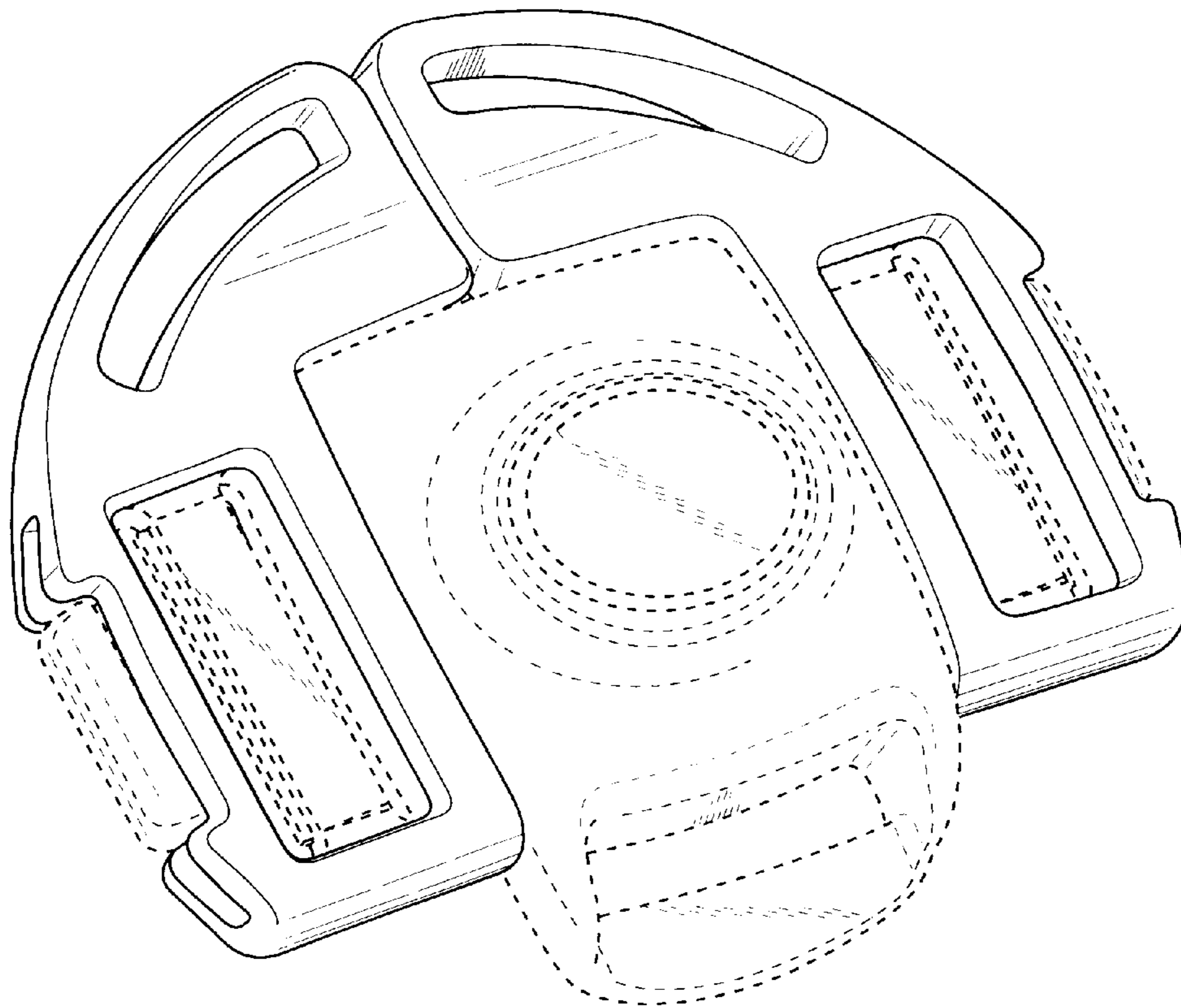


Fig. 1

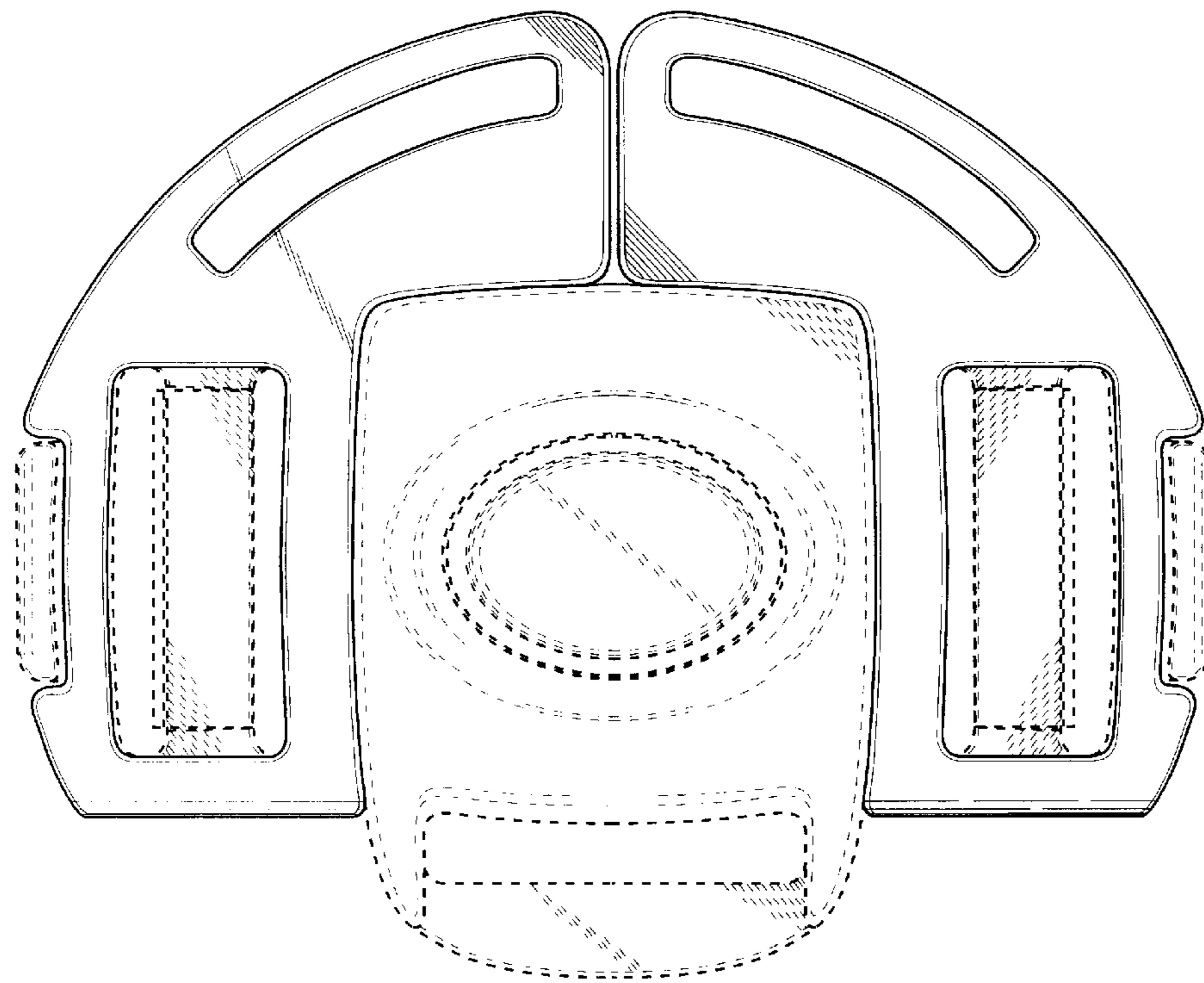


Fig. 2

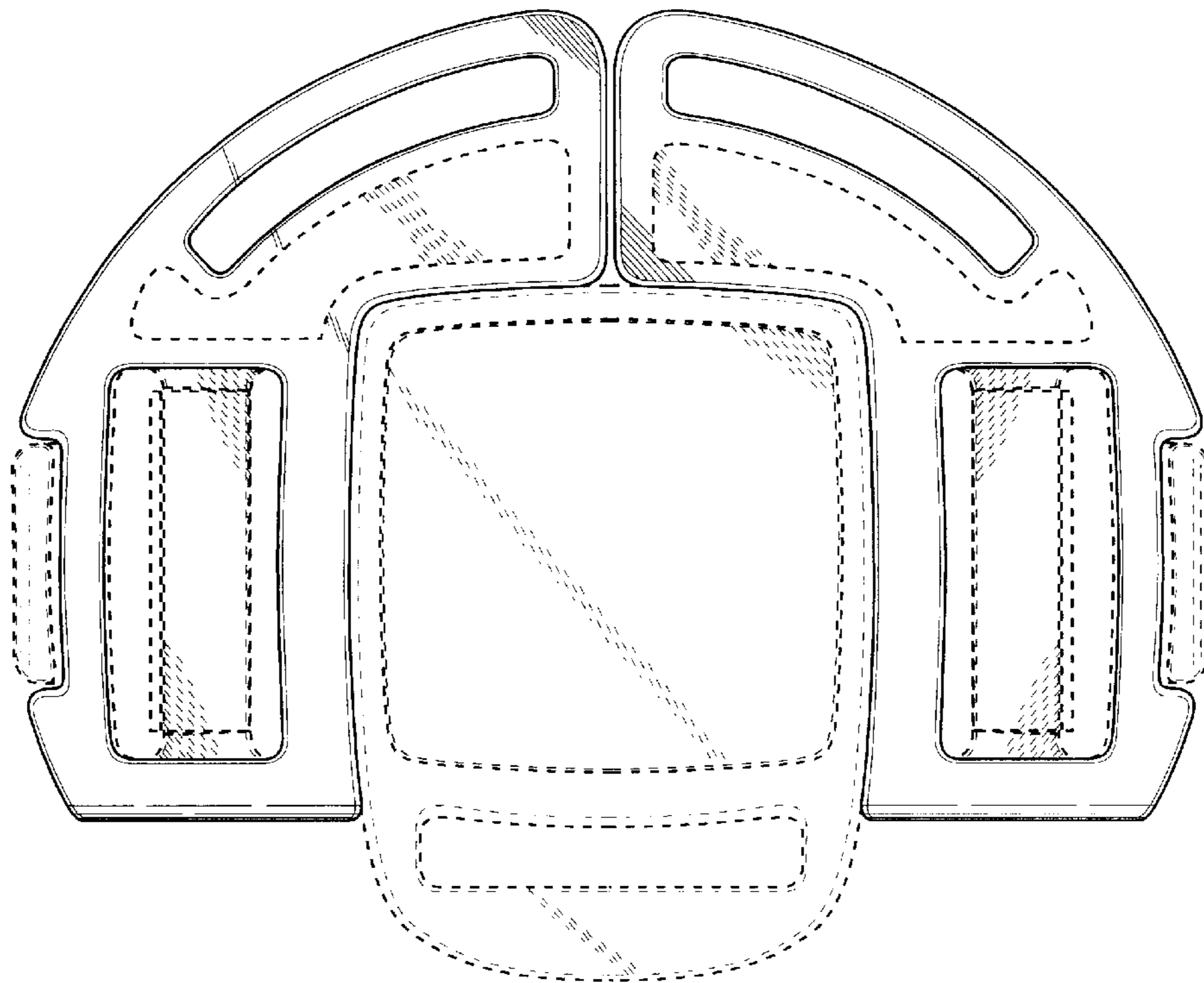


Fig. 3

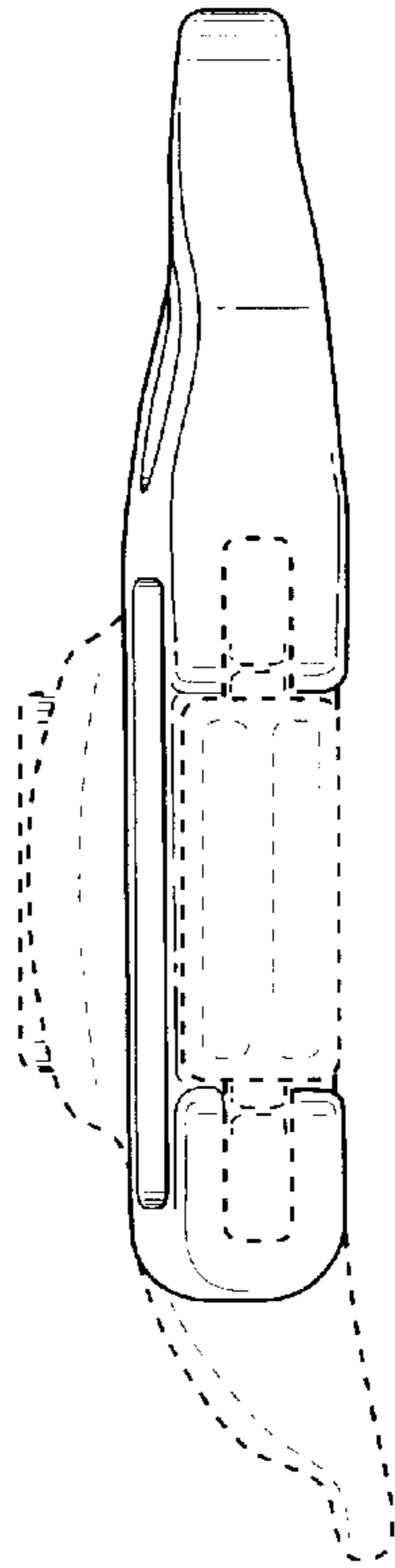


Fig. 4

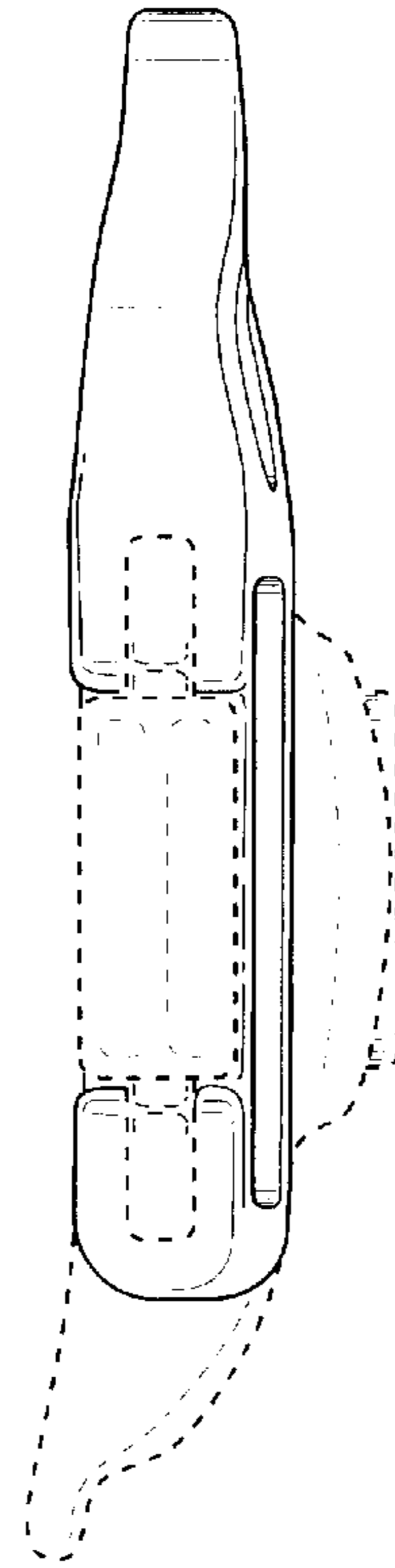


Fig. 5

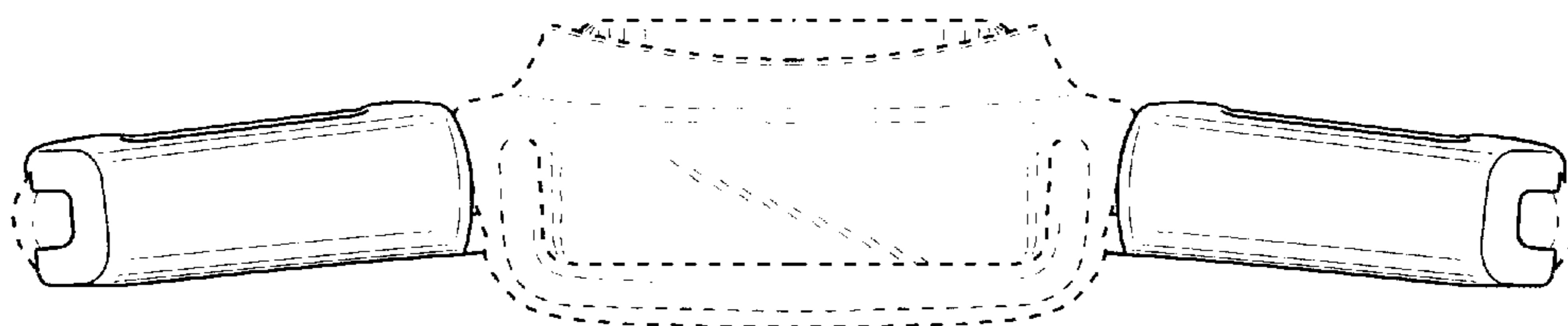


Fig. 6

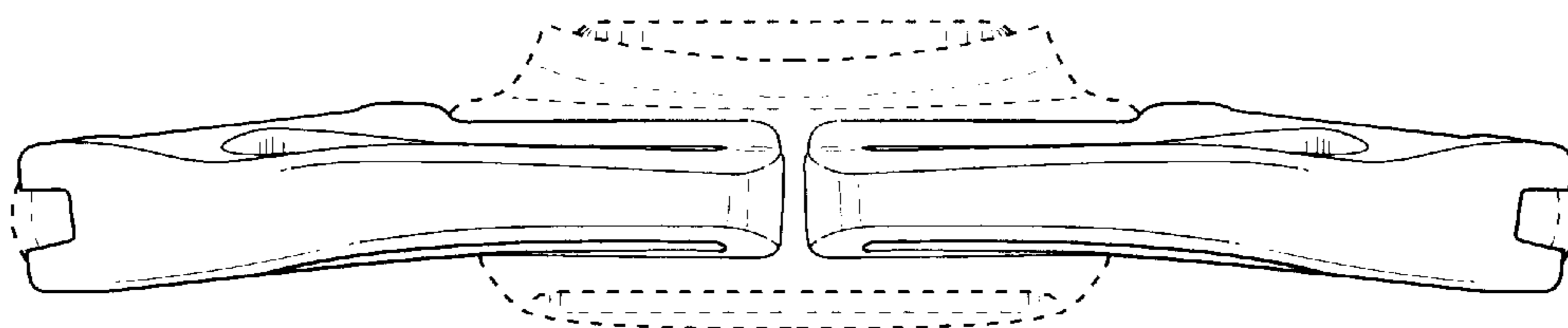


Fig. 7

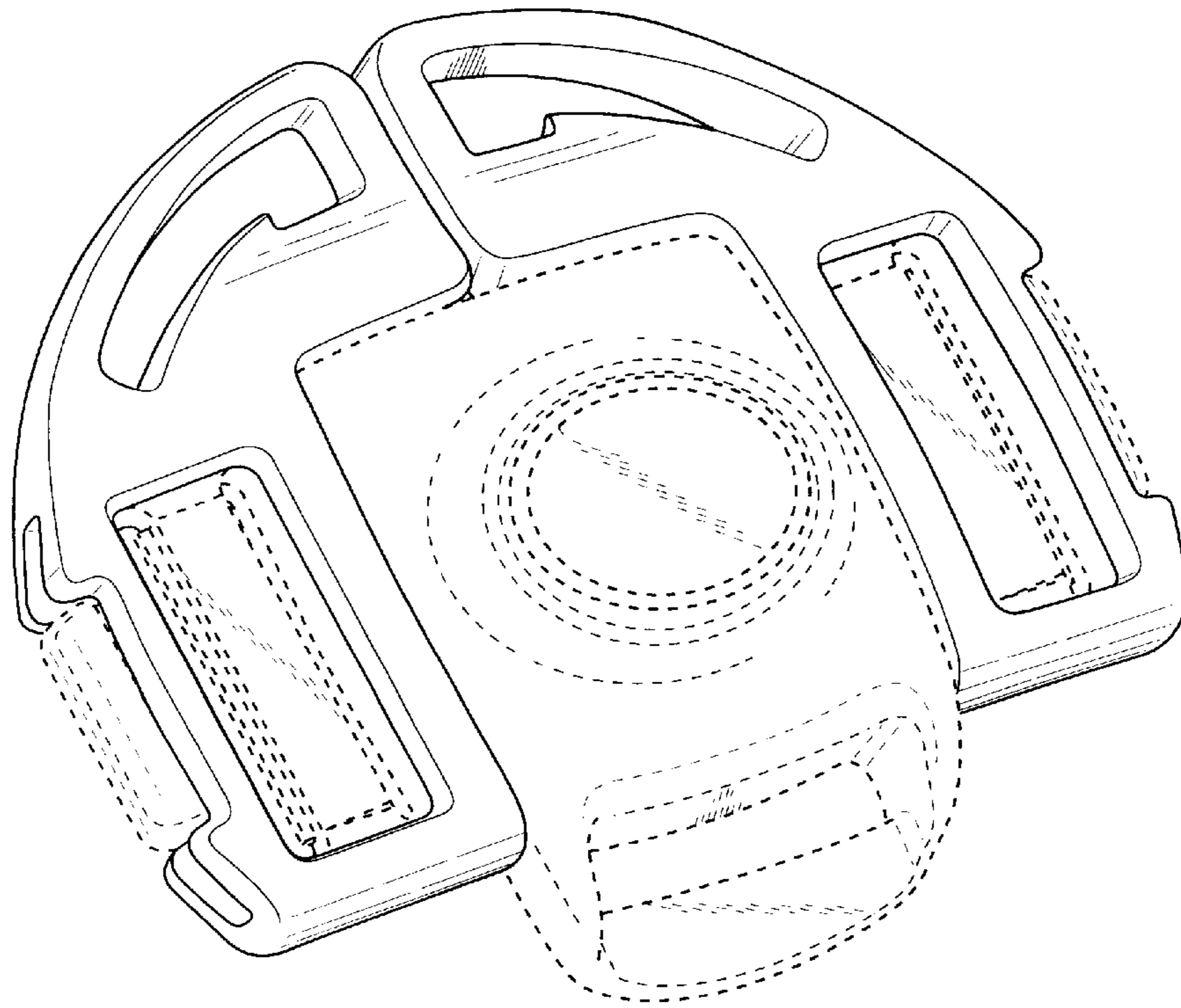


Fig. 8

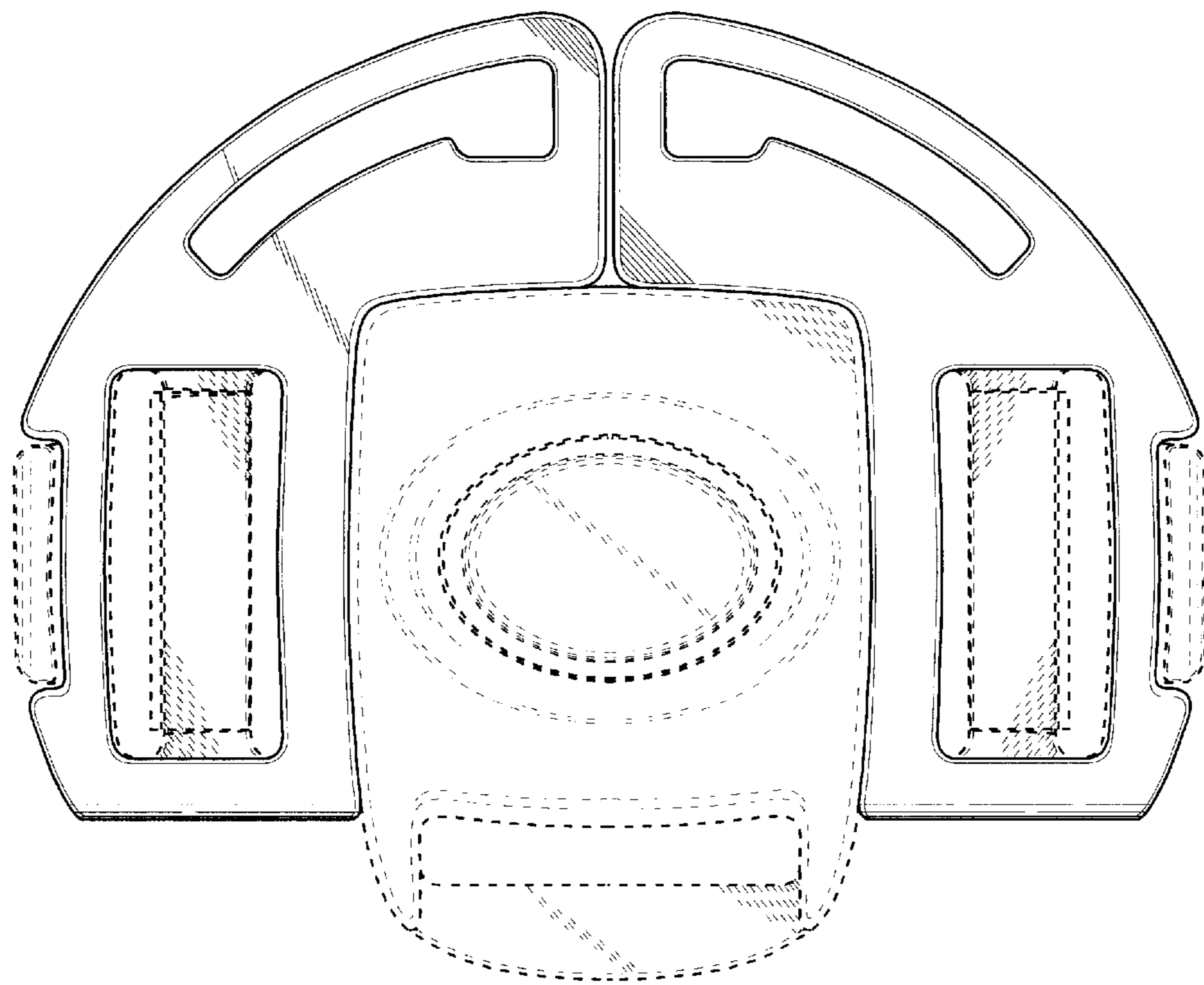


Fig. 9

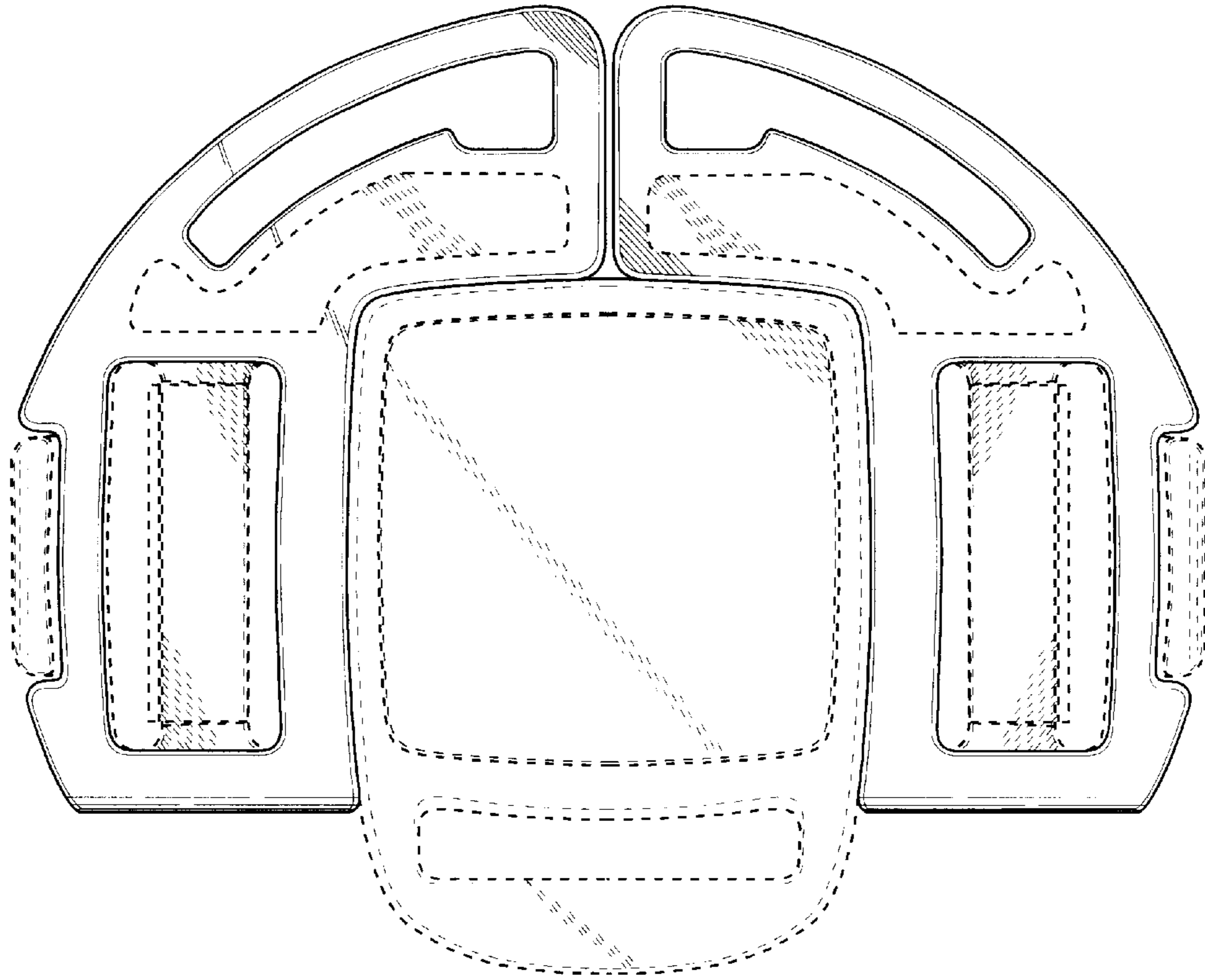


Fig. 10

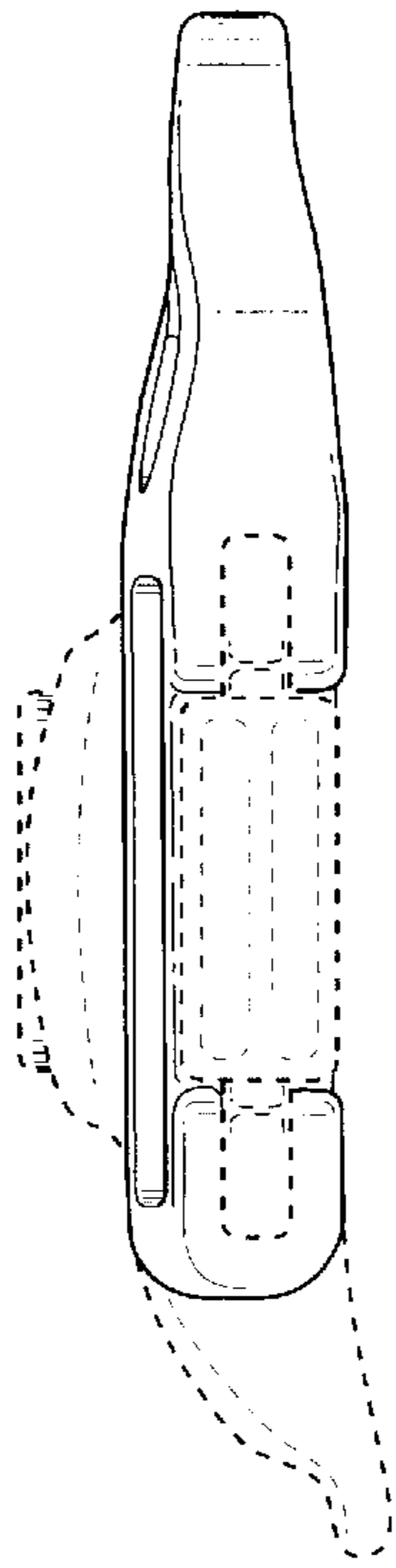


Fig. 11

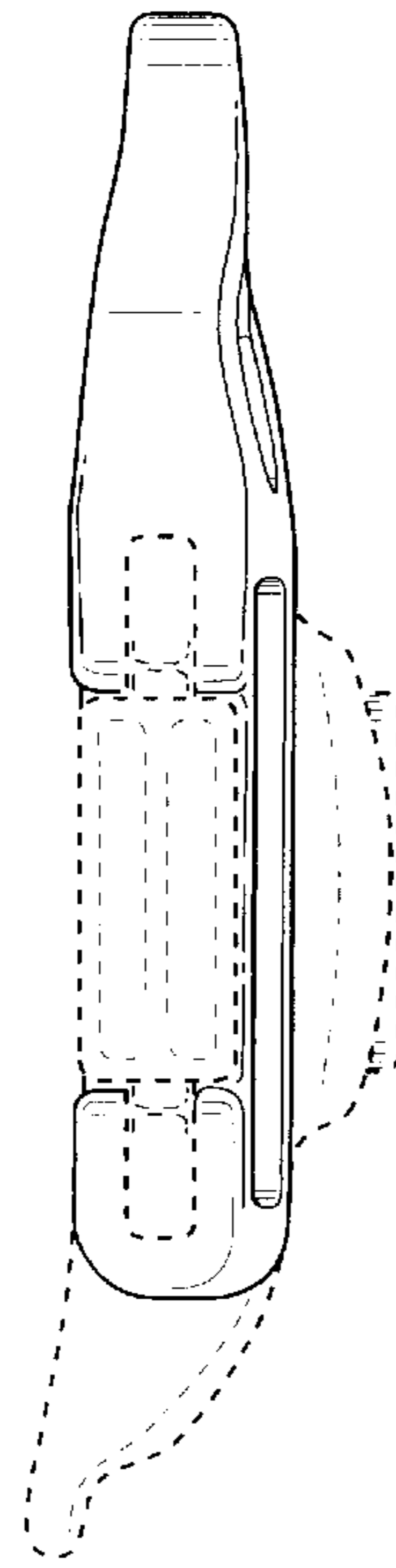


Fig. 12

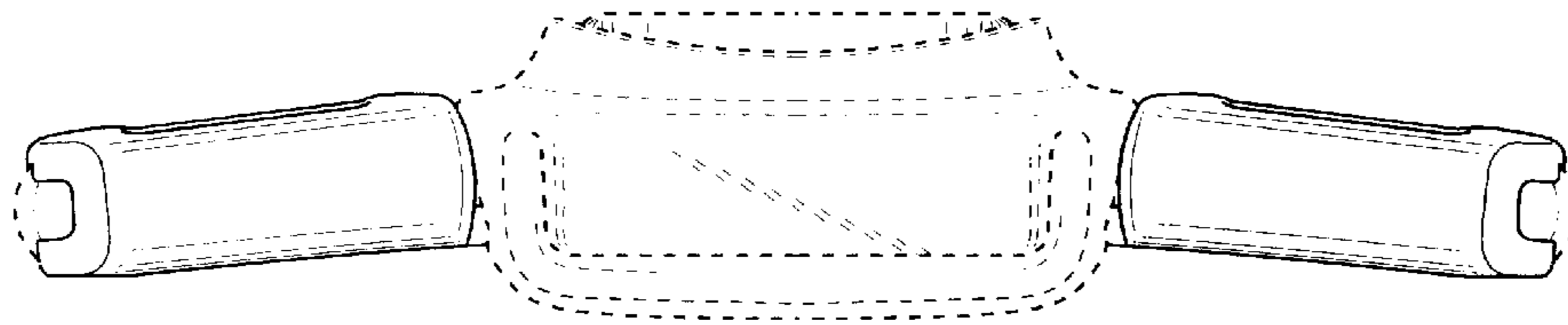


Fig. 13

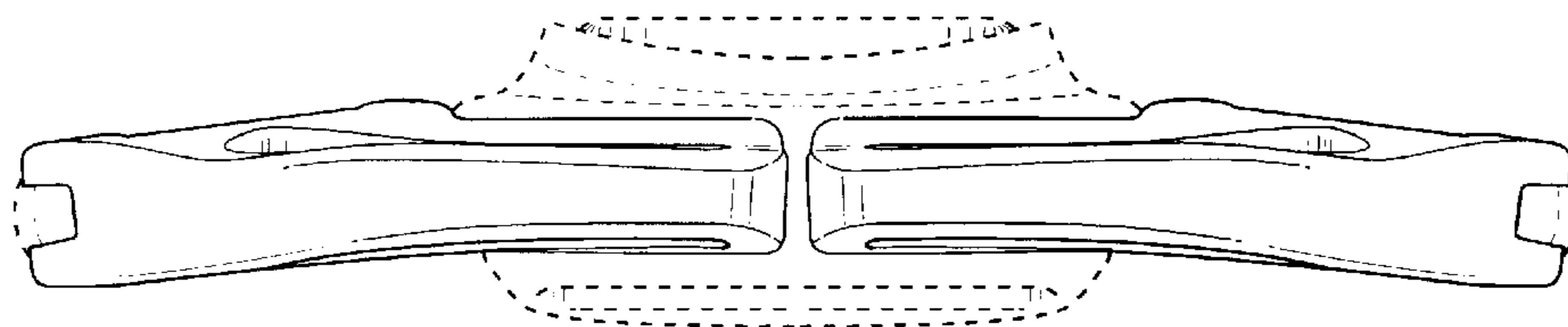


Fig. 14