



US00D535210S

(12) **United States Design Patent**  
**Park**

(10) **Patent No.:** **US D535,210 S**

(45) **Date of Patent:** **\*\* Jan. 16, 2007**

(54) **FINGER RING**

D459,674 S \* 7/2002 Razza ..... D11/39

(76) Inventor: **Andrew Q. Park**, 500 W. Algonguon Rd., Mt. Prospect, IL (US) 60656

\* cited by examiner

(\*\*) Term: **14 Years**

*Primary Examiner*—Ian Simmons  
*Assistant Examiner*—Melanie Levy  
(74) *Attorney, Agent, or Firm*—Welsh & Katz

(21) Appl. No.: **29/255,447**

(22) Filed: **Mar. 8, 2006**

(57) **CLAIM**

The finger ring, as shown and described.

(51) **LOC (8) Cl.** ..... **11-01**

**DESCRIPTION**

(52) **U.S. Cl.** ..... **D11/27**

(58) **Field of Classification Search** ..... D11/3,  
D11/26–39, 91–93; 63/15, 15.1–15.4, 15.45,  
63/15.5, 15.6, 15.65, 15.7, 26–28  
See application file for complete search history.

FIG. 1 is a perspective view of the finger ring of the claimed design;

FIG. 2 is a top view of the finger ring of FIG. 1 of the claimed design;

FIG. 3 is a left side elevational view of the finger ring of FIG. 1 of the claimed design, which is identical to a right side elevational view;

FIG. 4 is a front elevational view of the finger ring of FIG. 1 of the claimed design, which is identical to a rear elevational view; and,

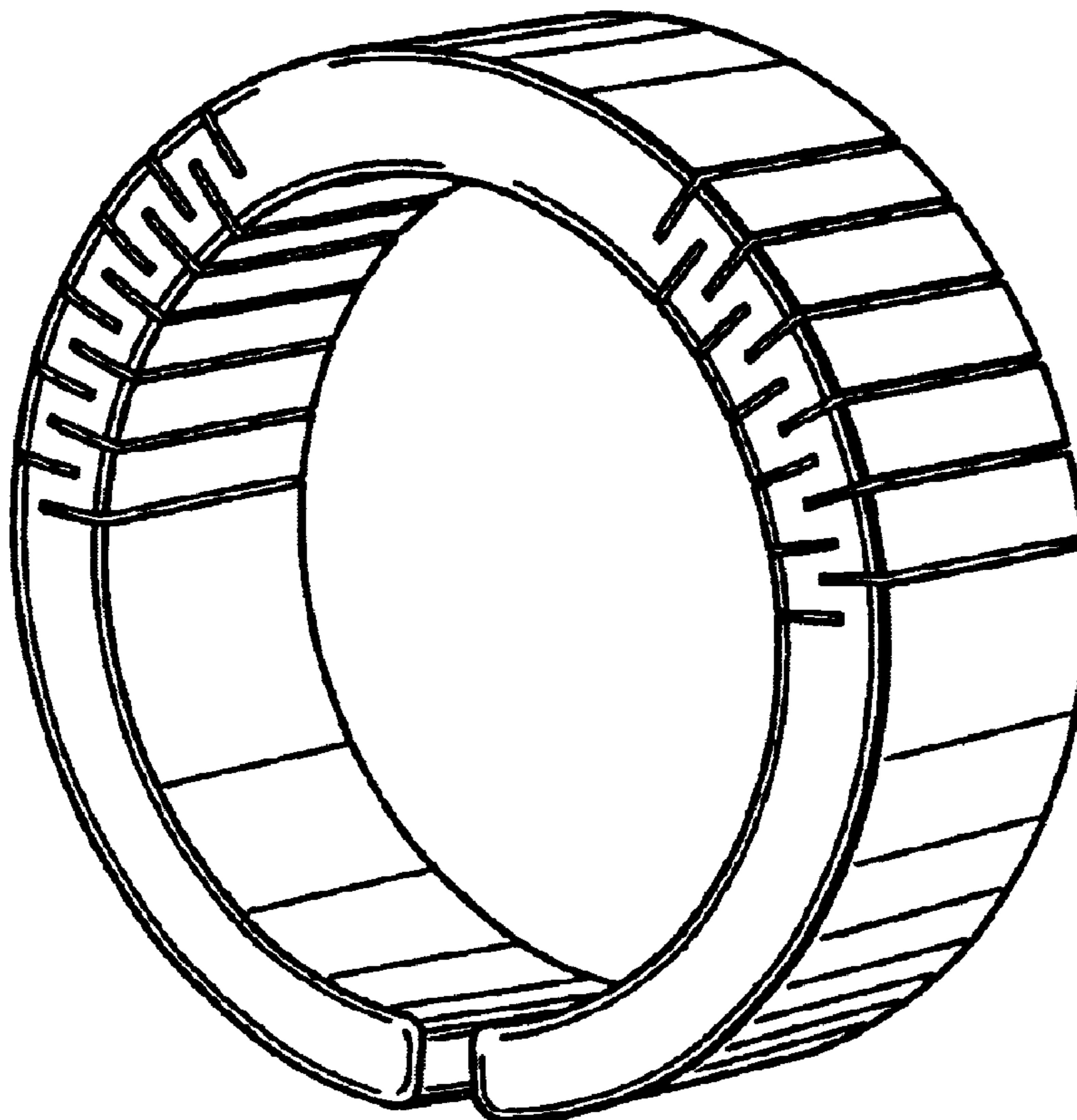
FIG. 5 is a bottom view of the finger ring of FIG. 1 of the claimed design.

(56) **References Cited**

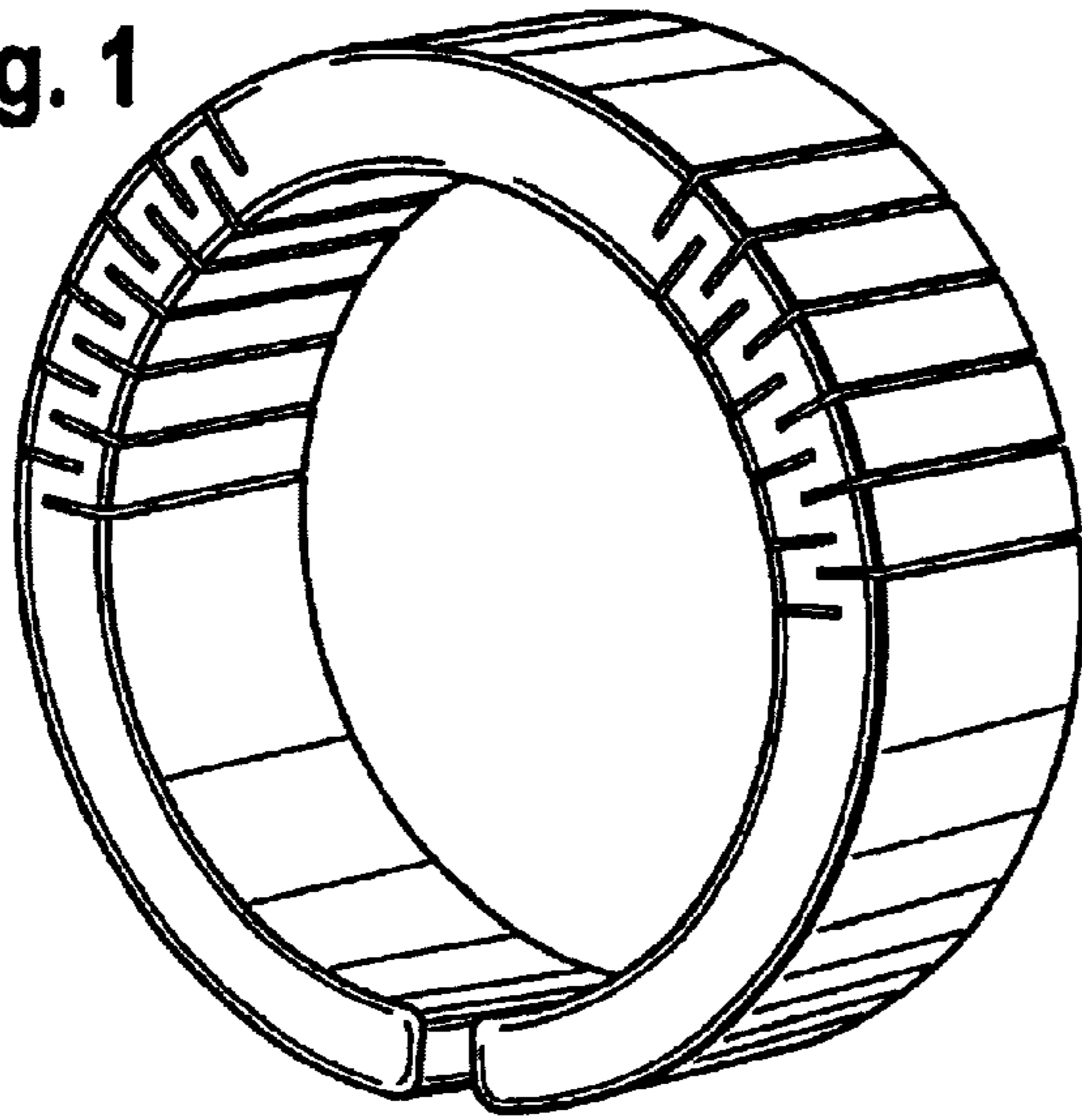
**U.S. PATENT DOCUMENTS**

D312,593 S \* 12/1990 Bulgari ..... D11/38  
D319,035 S \* 8/1991 Kruse ..... D11/27  
D379,600 S \* 6/1997 Gardner ..... D11/27  
D447,079 S \* 8/2001 Haquet ..... D11/27

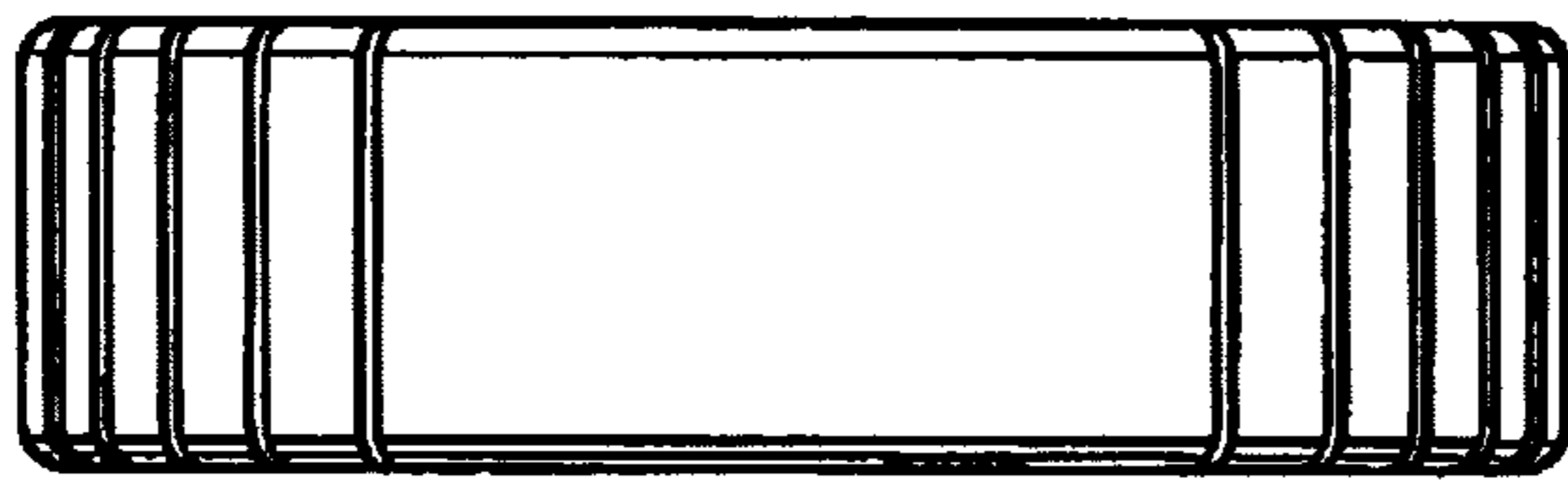
**1 Claim, 1 Drawing Sheet**



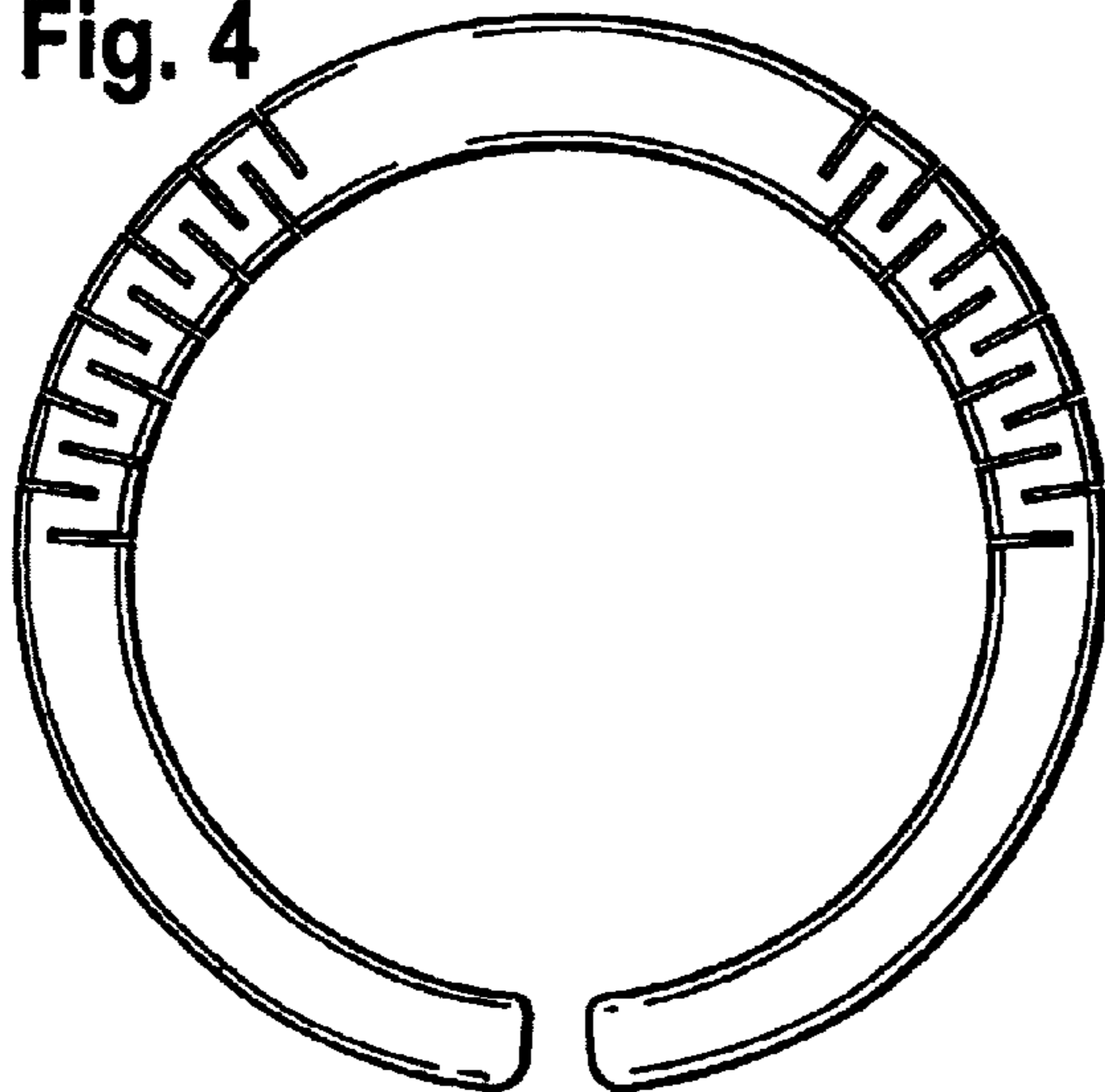
**Fig. 1**



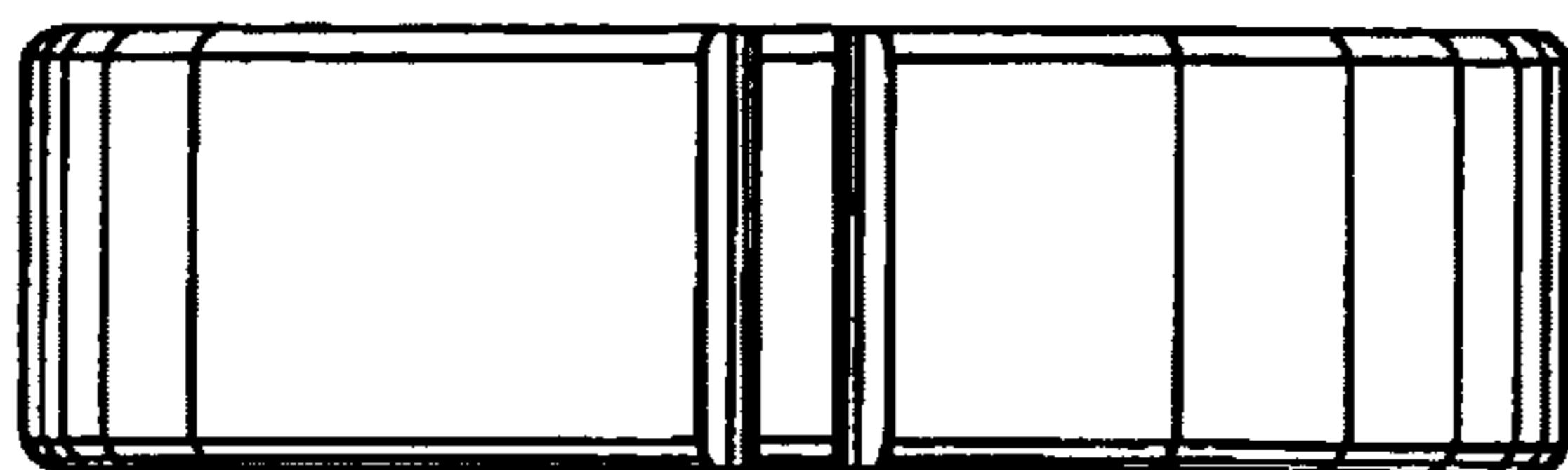
**Fig. 2**



**Fig. 4**



**Fig. 5**



**Fig. 3**

