



US00D535207S

(12) **United States Design Patent**
Skaggs

(10) **Patent No.:** **US D535,207 S**

(45) **Date of Patent:** **** Jan. 16, 2007**

(54) **FACE DISPLAY FOR A TIMEPIECE**

(76) **Inventor:** **James R. Skaggs**, 616 S. Main St.,
Wauconda, IL (US) 60084

(**) **Term:** **14 Years**

(21) **Appl. No.:** **29/233,389**

(22) **Filed:** **Jul. 1, 2005**

(51) **LOC (8) Cl.** **10-07**

(52) **U.S. Cl.** **D10/126**

(58) **Field of Classification Search** D10/30-39,
D10/123-126, 1-29; 368/276-278, 281-283,
368/285, 21, 28-30, 223, 228, 232, 80, 239-242,
368/82-84

See application file for complete search history.

(56) **References Cited**

U.S. PATENT DOCUMENTS

| | | | | | | |
|-----------|---|---|---------|----------|-------|---------|
| 1,454,322 | A | * | 5/1923 | Loeb | | 368/277 |
| D151,634 | S | * | 11/1948 | Hanna | | D10/126 |
| D230,052 | S | * | 1/1974 | Fukumoto | | D10/126 |
| D237,706 | S | * | 11/1975 | Burgess | | D10/123 |
| 4,041,692 | A | * | 8/1977 | Marshino | | 368/82 |
| D250,749 | S | * | 1/1979 | Perrin | | D10/39 |
| D278,686 | S | * | 5/1985 | Mathez | | D10/39 |
| 4,702,615 | A | * | 10/1987 | Havel | | 368/82 |
| 4,920,524 | A | * | 4/1990 | Kotob | | 368/240 |
| 5,410,520 | A | * | 4/1995 | Stampfer | | 368/240 |
| D375,276 | S | * | 11/1996 | Svast | | D10/126 |
| D377,626 | S | * | 1/1997 | Svast | | D10/126 |
| D377,627 | S | * | 1/1997 | Svast | | D10/126 |
| 5,896,348 | A | * | 4/1999 | Lyon | | 368/223 |

| | | | | | | |
|-----------|----|---|---------|--------------|-------|---------|
| D415,695 | S | * | 10/1999 | Perkins | | D10/30 |
| D483,283 | S | * | 12/2003 | Vierra | | D10/126 |
| D483,684 | S | | 12/2003 | Kahil et al. | | |
| 6,683,822 | B1 | * | 1/2004 | Cheng | | 368/240 |
| D495,966 | S | | 9/2004 | Kahil et al. | | |
| D496,297 | S | | 9/2004 | Kahil et al. | | |
| D496,298 | S | | 9/2004 | Kahil et al. | | |
| D515,961 | S | * | 2/2006 | Demas | | D10/123 |
| D517,929 | S | * | 3/2006 | Rabassa | | D10/39 |

* cited by examiner

Primary Examiner—Lucy Lieberman

(74) *Attorney, Agent, or Firm*—IP Focus Law Group, Ltd.

(57) **CLAIM**

The ornamental design for a face display for a timepiece, substantially as shown and described.

DESCRIPTION

FIG. 1 is a front elevational view of the face display for a timepiece showing a typical time indication of 5:45.

FIG. 2 is a front elevational view of a face display for a timepiece shown in a wrist watch case, an environment in which the design is used, and showing a typical time of 5:45; and,

FIG. 3 is a front elevational view of another embodiment of the face display for a timepiece.

The broken lines showing of a watch is for illustrative purposes and is not a part of the claimed design.

The face display for a timepiece is conventionally of no appreciable thickness, and the rear is flat and unornamented.

1 Claim, 1 Drawing Sheet

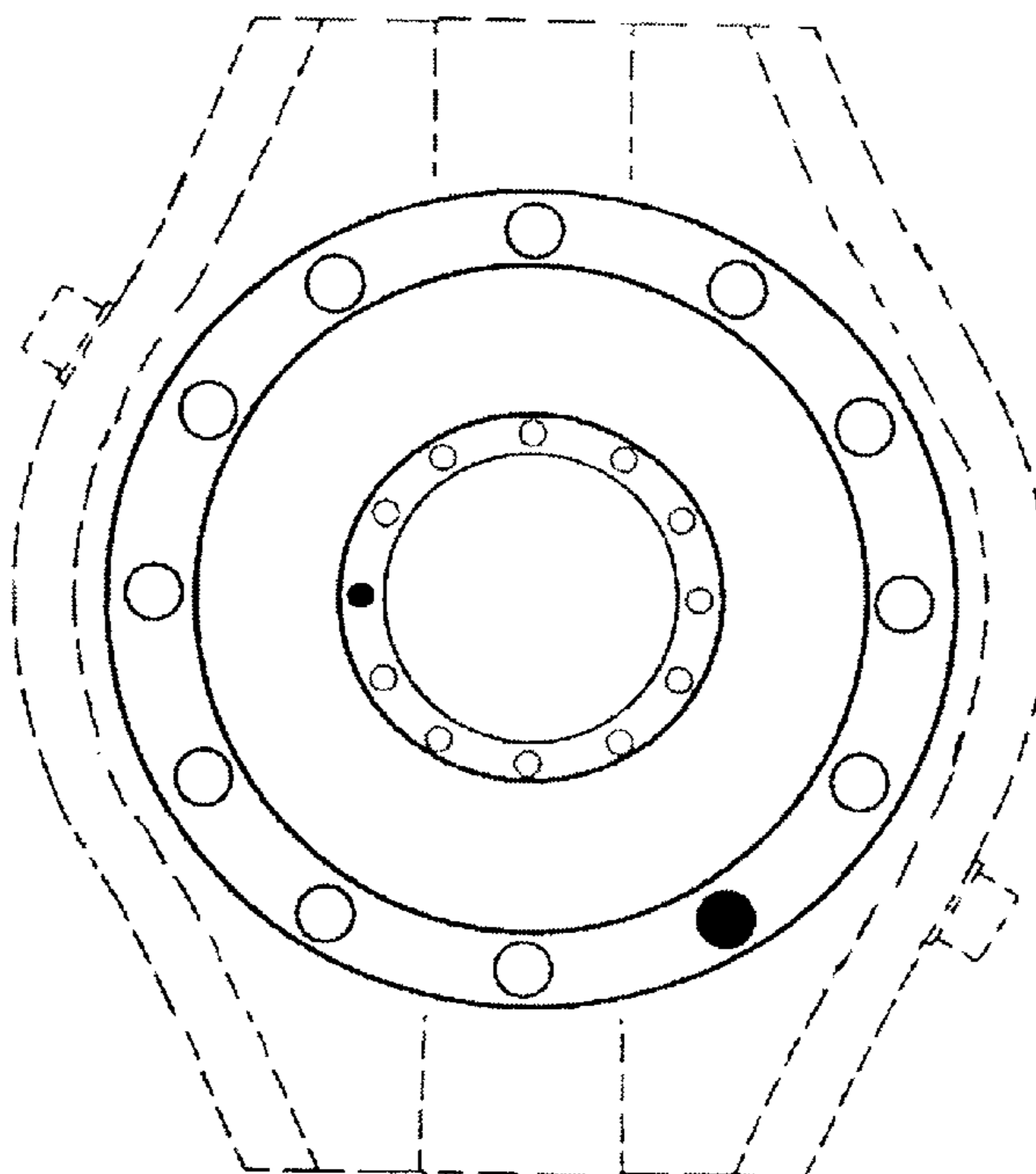


FIG. 1

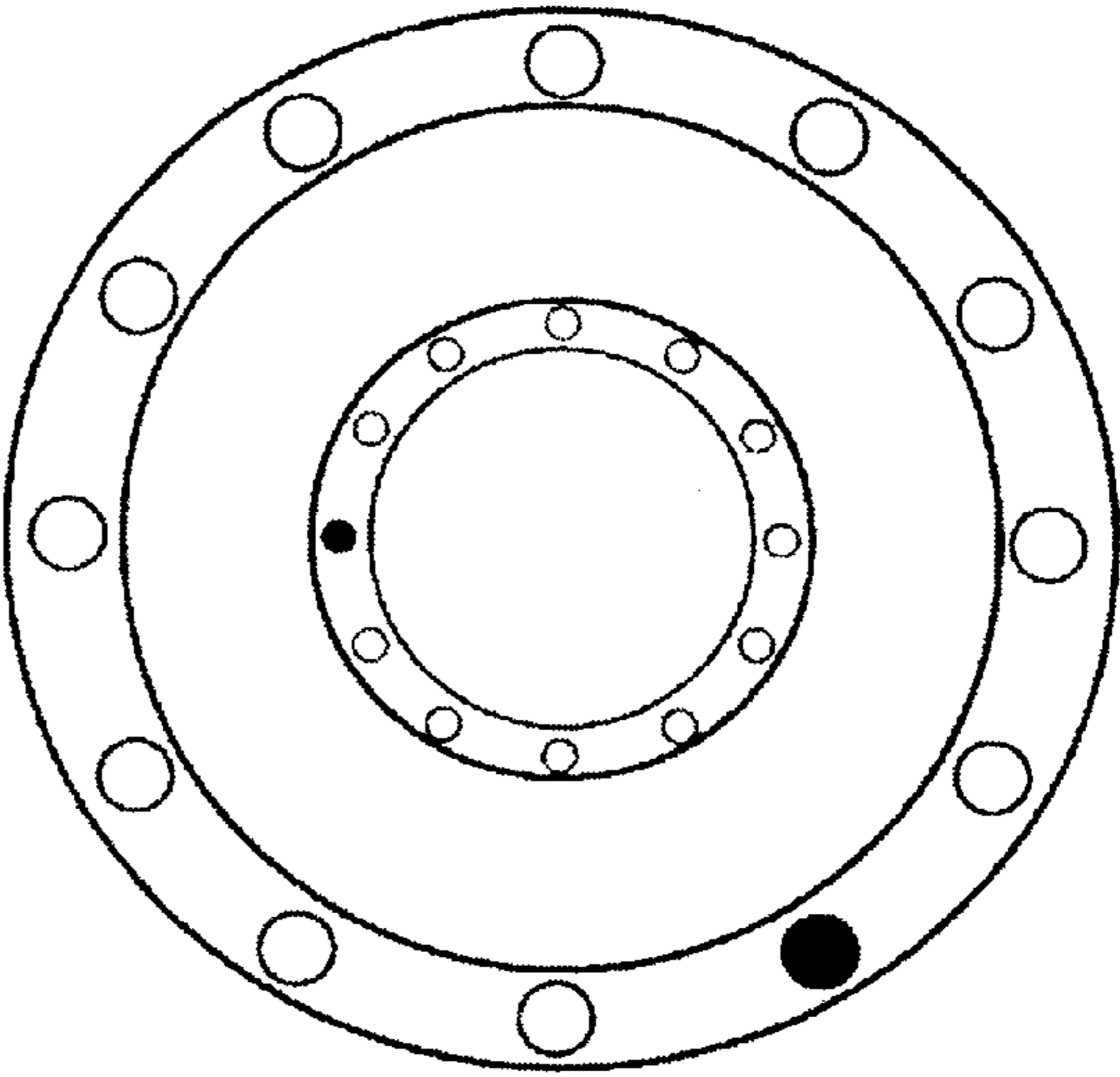


FIG. 2

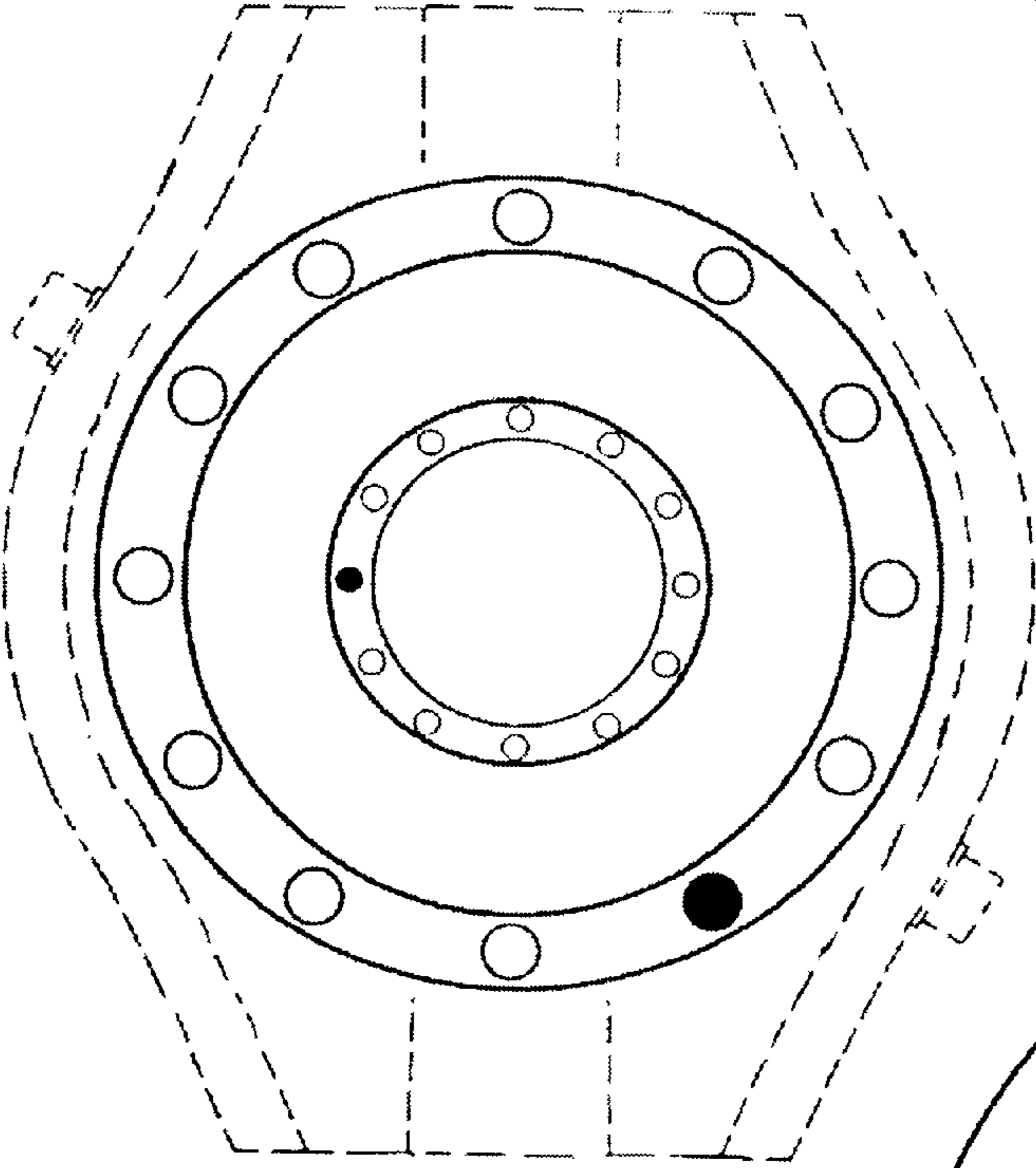


FIG. 3

