



US00D535205S

(12) **United States Design Patent**
Frederick et al.

(10) **Patent No.: US D535,205 S**

(45) **Date of Patent: ** Jan. 16, 2007**

(54) **MONITORING BRACELET**

(75) Inventors: **Walter H. Frederick**, Quaker City, OH (US); **Christina M. Miller**, Copley, OH (US)

(73) Assignee: **Ohio House Monitoring Systems, Inc.**

(**) Term: **14 Years**

(21) Appl. No.: **29/234,869**

(22) Filed: **Jul. 21, 2005**

(51) **LOC (8) Cl.** **10-05**

(52) **U.S. Cl.** **D10/104; D10/32**

(58) **Field of Classification Search** D14/158, D14/140, 240, 223, 346, 137, 138, 144, 147, D14/341, 344; D10/38, 106, 128, 33, 35, D10/39; D3/208; D13/168; D30/152; 340/573.4, 340/539.13, 573.3, 573.1; 368/140, 72; 342/357.06
See application file for complete search history.

(56) **References Cited**

U.S. PATENT DOCUMENTS

D287,403 S	*	12/1986	Kiiski et al.	D24/167
D300,514 S	*	4/1989	Morishima	D10/31
4,847,818 A	*	7/1989	Olsen	368/10
D310,332 S	*	9/1990	Wong	D10/32
D317,730 S	*	6/1991	Mo	D11/5
D359,700 S	*	6/1995	Abrams	D10/106
D383,985 S	*	9/1997	Davenport	D10/31
D389,077 S	*	1/1998	Miranda, Jr.	D10/106
D390,487 S	*	2/1998	Thun	D10/106
5,731,757 A		3/1998	Layson, Jr.	
D394,819 S	*	6/1998	Maser et al.	D10/106
5,944,661 A		8/1999	Swette et al.	

5,959,533 A		9/1999	Layson, Jr. et al.	
6,014,080 A		1/2000	Layson, Jr.	
6,031,460 A	*	2/2000	Banks	340/573.1
D423,389 S	*	4/2000	Boyd	D10/104
D431,201 S	*	9/2000	Robinson et al.	D10/106
6,774,799 B1		8/2004	Defant et al.	
6,881,582 B1		4/2005	Ratogi et al.	
6,885,304 B1	*	4/2005	Cliff et al.	340/573.1
D505,353 S	*	5/2005	Del Valle	D11/3
6,886,653 B1		5/2005	Bellehumeur	
D520,393 S	*	5/2006	Darby	D10/104
2002/0135487 A1	*	9/2002	Bowling	340/573.3
2003/0222781 A1		12/2003	Defant et al.	
2005/0088296 A1	*	4/2005	Lee	340/539.12

* cited by examiner

Primary Examiner—Cathron C. Brooks

Assistant Examiner—Austin Murphy

(74) *Attorney, Agent, or Firm*—Forrest L. Collins Law Offices, LLC; Forrest L. Collins

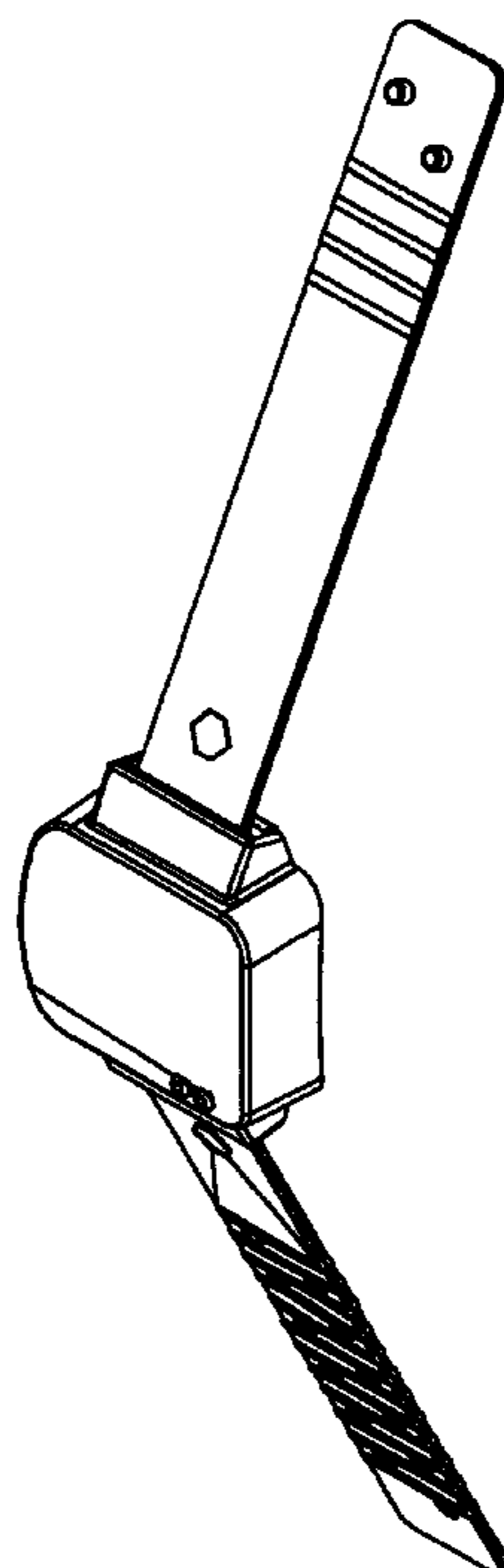
(57) **CLAIM**

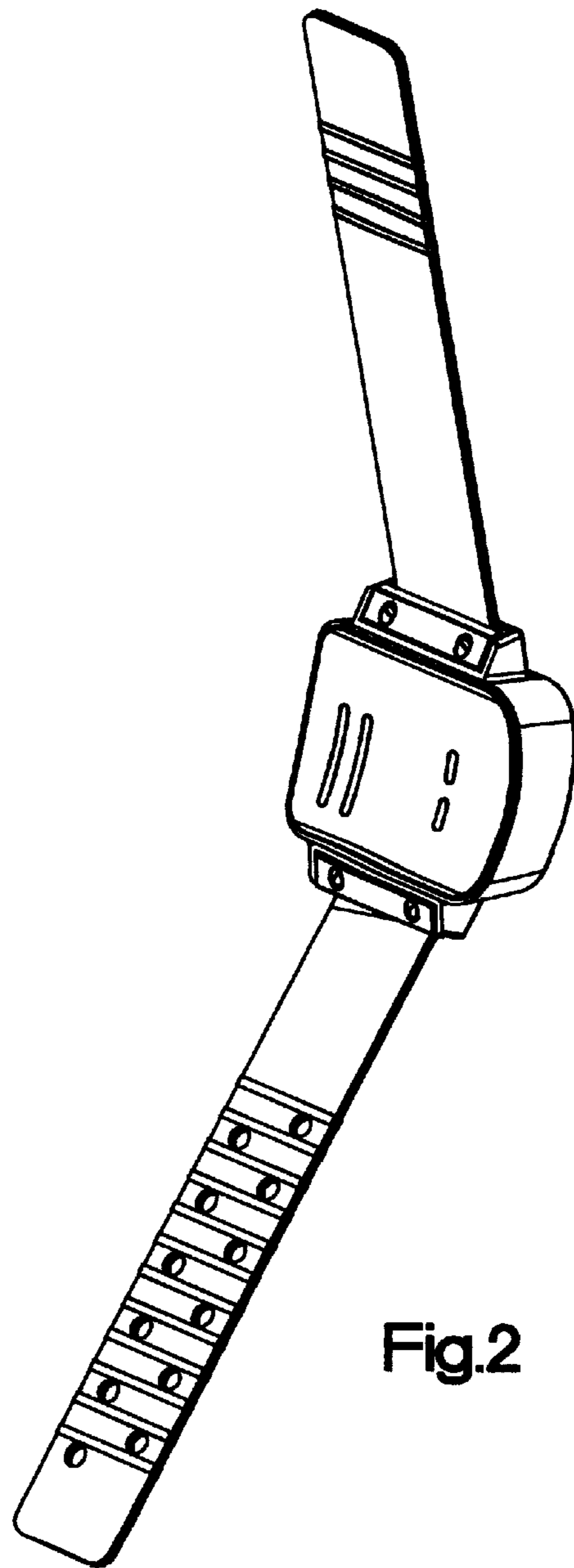
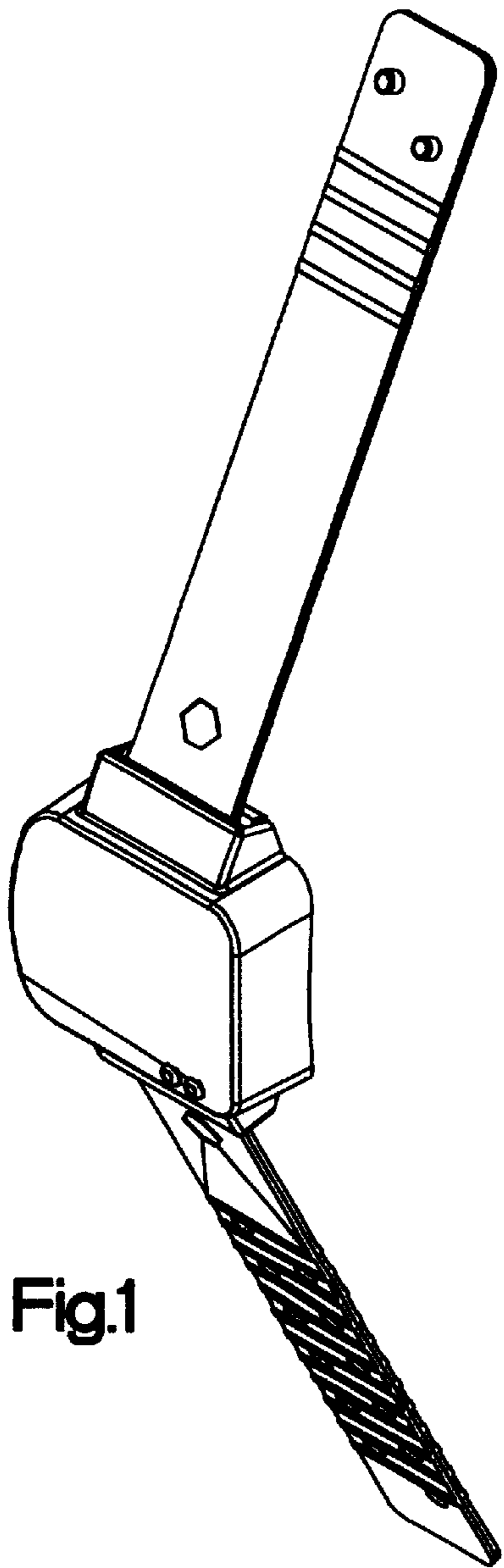
The ornamental design for the monitoring bracelet, as shown and described.

DESCRIPTION

FIG. 1 is a front perspective view of the monitoring bracelet; FIG. 2 is a rear perspective view thereof; FIG. 3 is a top plan view thereof; FIG. 4 is a bottom plan view thereof; FIG. 5 is a first side view thereof; FIG. 6 is a second side view thereof; FIG. 7 is an enlarged first side view thereof; and, FIG. 8 is an enlarged second side view thereof.

1 Claim, 4 Drawing Sheets





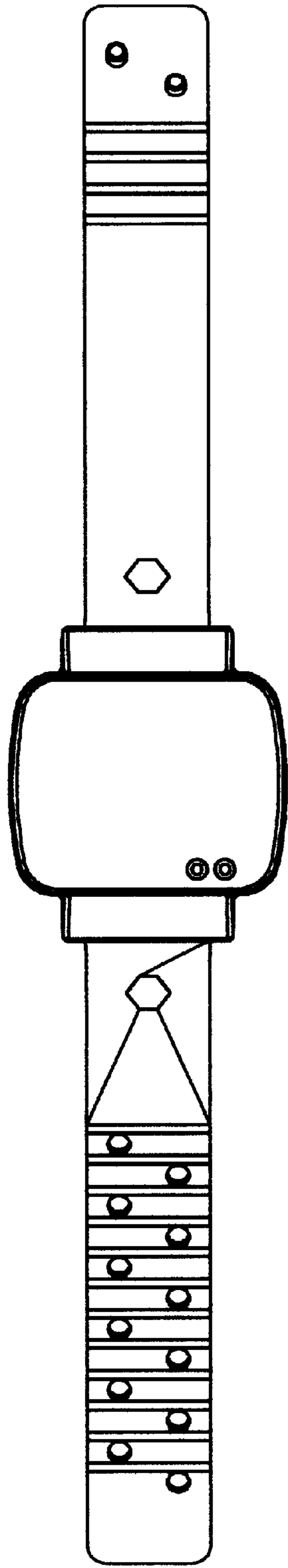


Fig.3

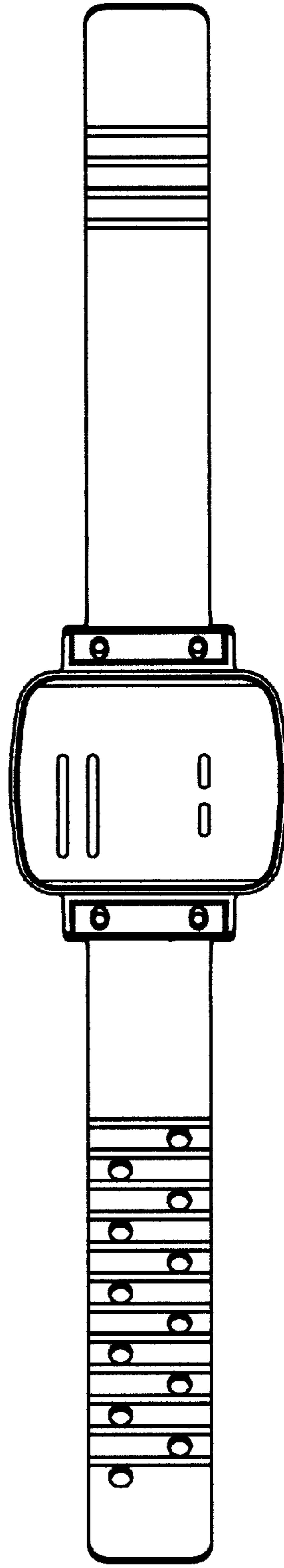


Fig.4

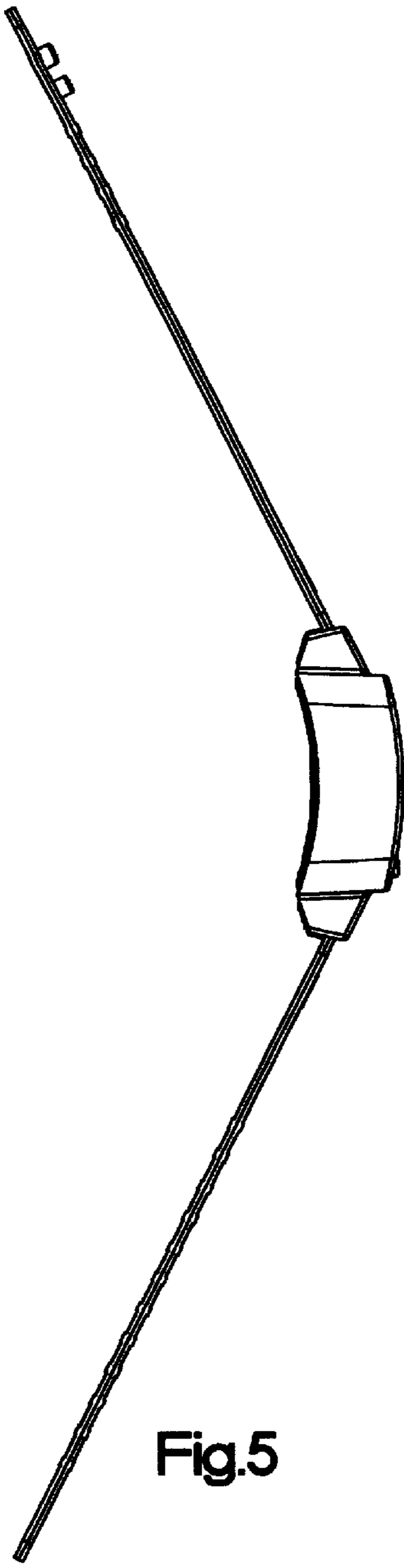


Fig.5

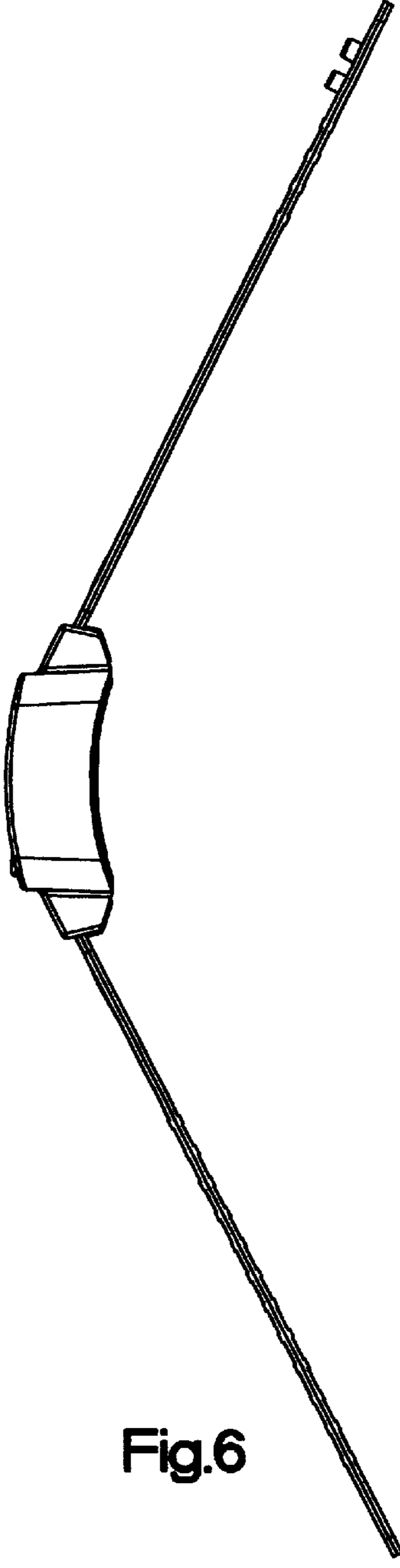


Fig.6

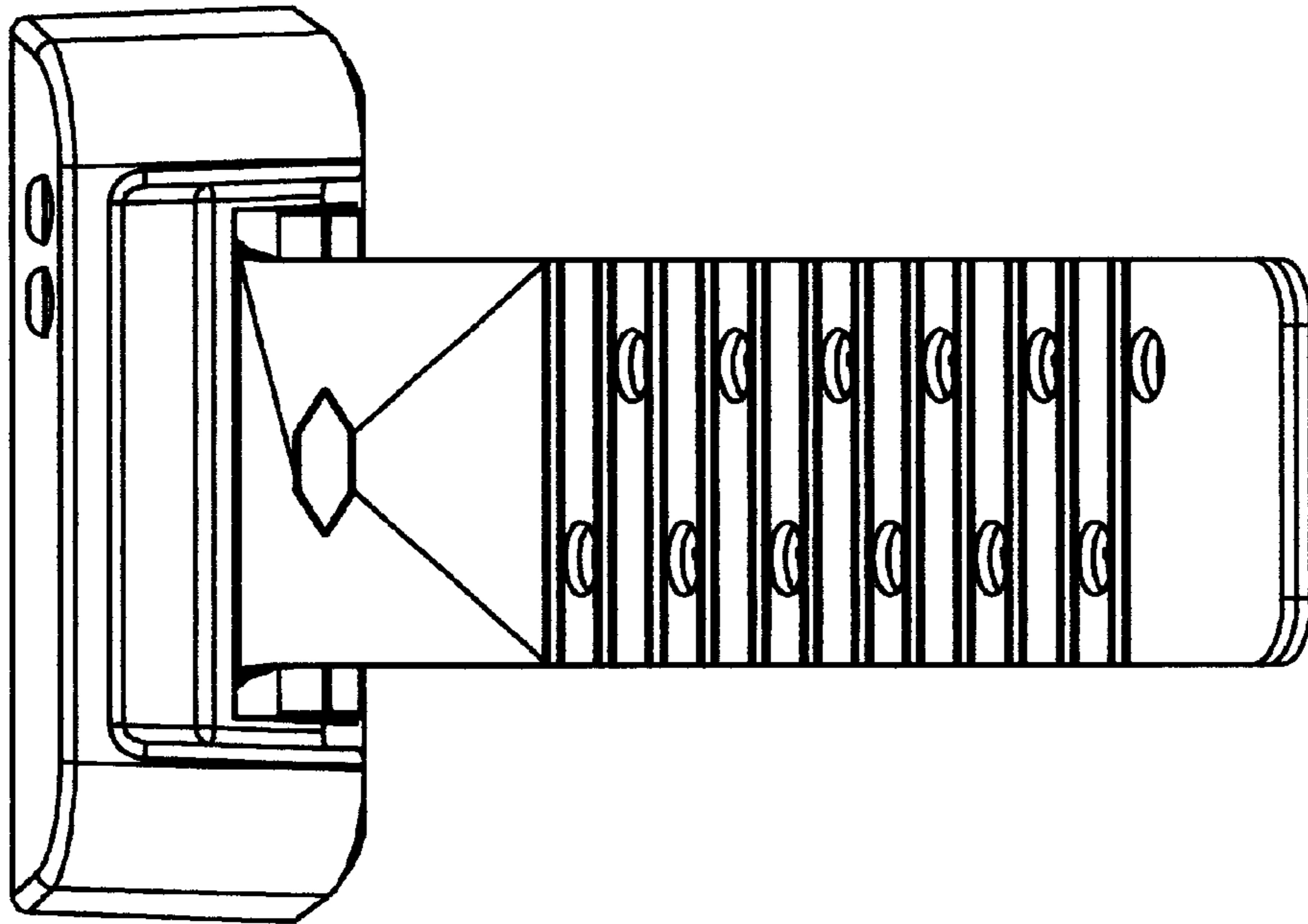


Fig.7

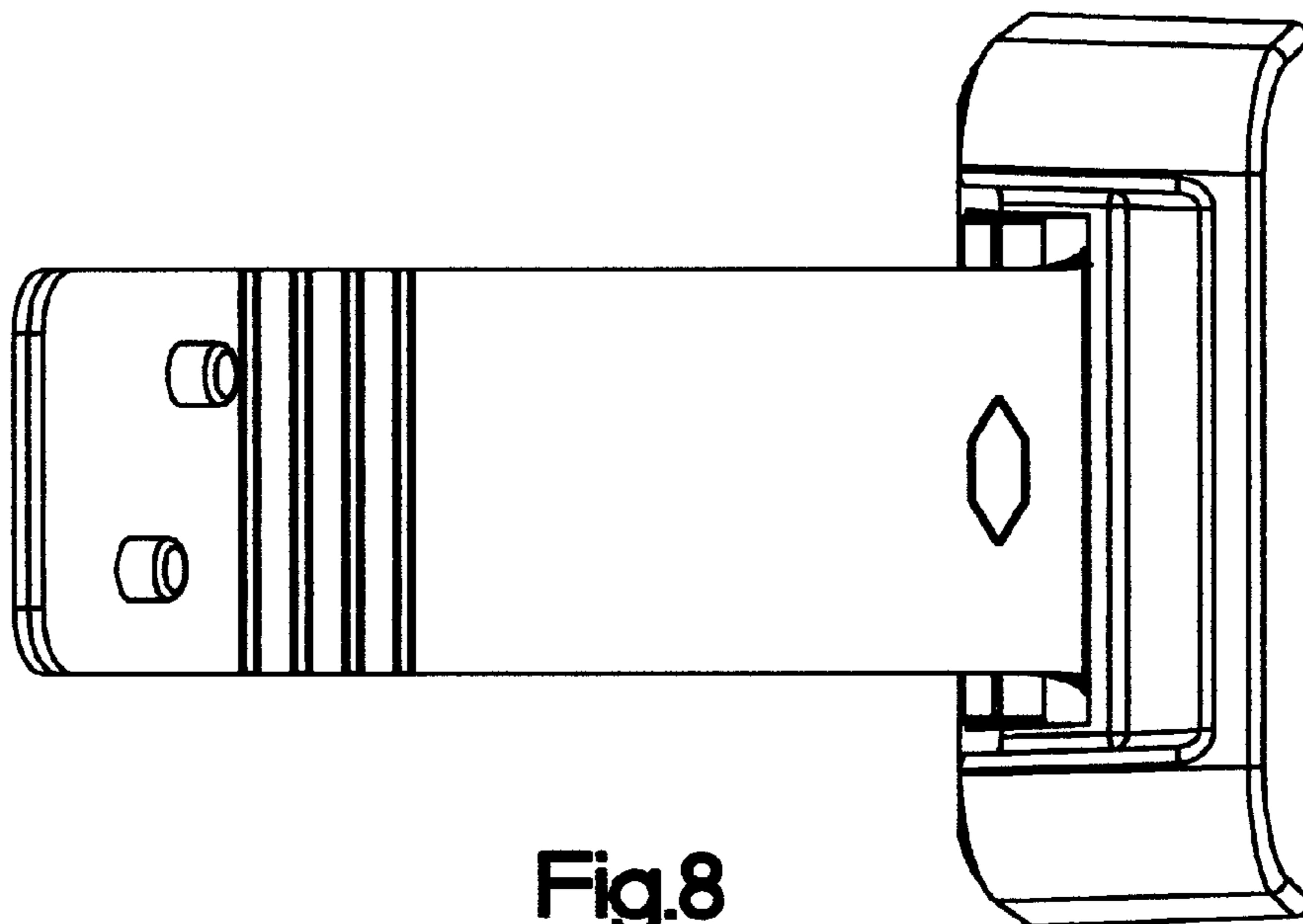


Fig.8