

US00D535195S

(12) **United States Design Patent**
Schwab

(10) **Patent No.: US D535,195 S**
(45) **Date of Patent: ** Jan. 16, 2007**

(54) **MULTIPLE CONTAINER PACK**

D505,335 S * 5/2005 Grenda D9/737

(75) Inventor: **Dominique Schwab**, Les Ulis (FR)

FOREIGN PATENT DOCUMENTS

(73) Assignee: **Grupo Industrial Lala. S.A. de C.V.**,
Durango (MX)

MX	2472	9/1984
WO	DM/030 760	9/1994
WO	DM/034 079	9/1995

(**) Term: **14 Years**

OTHER PUBLICATIONS

(21) Appl. No.: **29/219,632**

Mexican Trademark Registration No. 618463 (Aug. 1999).
French Trademark No. 98 729 752 (Apr. 1998).
French Trademark No. 95 586 154 (Aug. 1995).
French Trademark No. 96 613 713 (Mar. 1996).
French Trademark No. 96 606 096 (Jan. 1996).

(22) Filed: **Dec. 21, 2004**

(30) **Foreign Application Priority Data**

Sep. 3, 2004 (MX) PA/F/2004/0001326

* cited by examiner

(51) **LOC (8) Cl.** **09-03**

Primary Examiner—Stella Reid

(52) **U.S. Cl.** **D9/756; D9/761**

Assistant Examiner—Mark Goodwin

(58) **Field of Classification Search** D9/737,
D9/760, 761, 756, 758, 424, 425; D7/614;
D24/226; 229/120.011, 406, 407, 904, 238,
229/203, 123.1, 4.5, 5.5, 93; 206/427, 148,
206/429, 820, 485.1, 512, 588, 549; 220/23.8,
220/674, 675, 659, 657, 500, 507, 501, DIG. 12,
220/DIG. 13

(74) *Attorney, Agent, or Firm*—Buchanan Ingersoll &
Rooney PC

See application file for complete search history.

(57) **CLAIM**

The ornamental design for a multiple container pack, as
shown and described.

(56) **References Cited**

DESCRIPTION

U.S. PATENT DOCUMENTS

3,530,917 A	*	9/1970	Donovan	220/359.1
D219,263 S	*	11/1970	Castelli et al.	D9/757
3,545,934 A	*	12/1970	Johnston et al.	422/61
D241,622 S	*	9/1976	Smith	D9/760
D264,244 S	*	5/1982	Olsen	D24/226
D273,842 S	*	5/1984	Jeannin	D9/758
4,566,591 A		1/1986	Turtschan et al.	
D284,727 S	*	7/1986	Gerber	D7/546
4,875,620 A	*	10/1989	Lane, Sr.	229/404
D417,785 S	*	12/1999	Daniels	D3/313
6,068,114 A		5/2000	Zimmerman et al.	
RE36,867 E	*	9/2000	Rozzano	426/87

FIG. 1 is a bottom plan view of a multiple container pack
showing my new design.

FIG. 2 is a top plan view thereof.

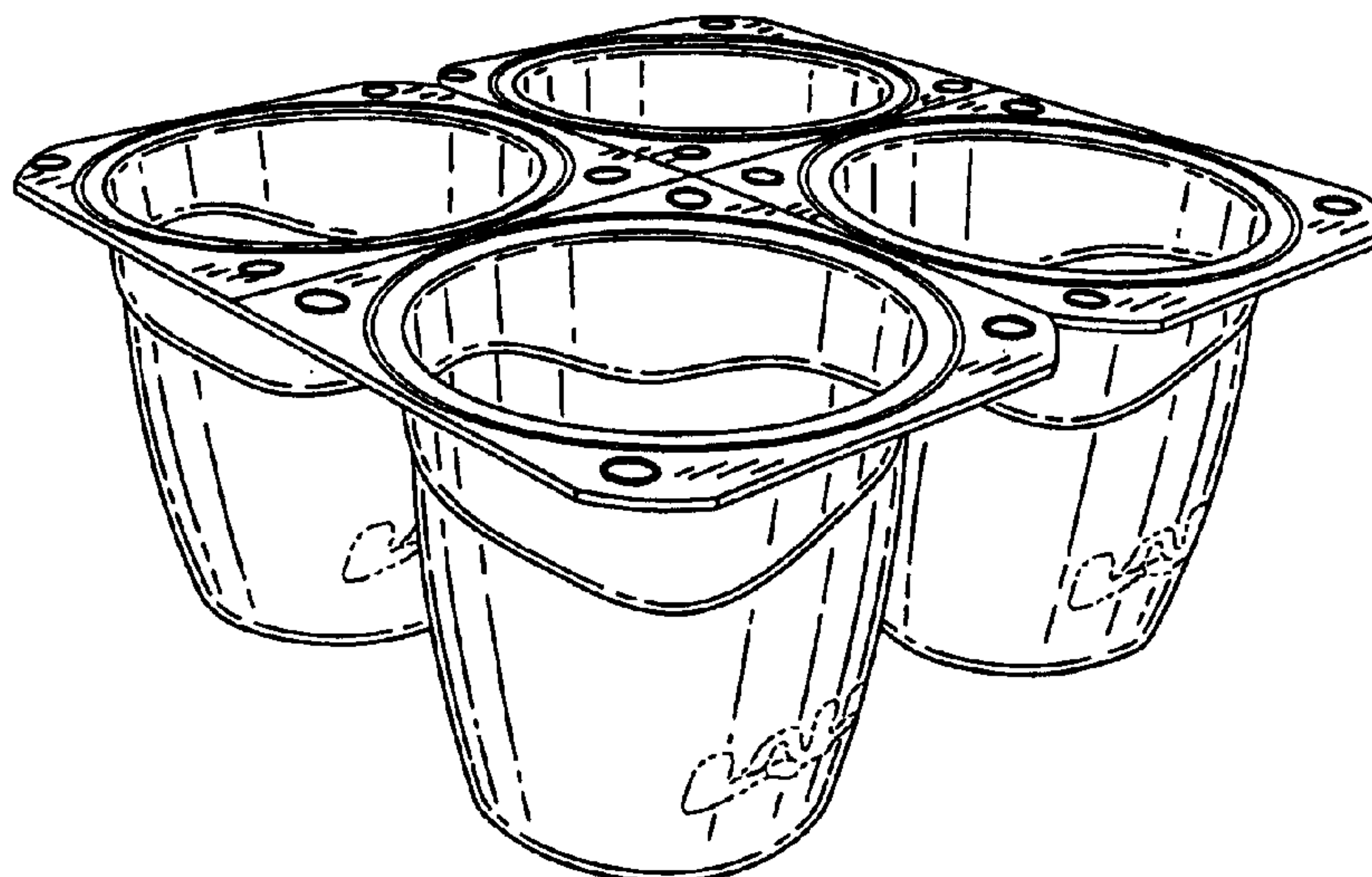
FIG. 3 is a side elevational view, the other side being a
mirror image thereof.

FIG. 4 is a front elevational view, the rear being a mirror
image thereof.

FIG. 5 is a top, front and side perspective view thereof; and,
FIG. 6 is a bottom, rear and side perspective view thereof.

The broken line showing of the stylized logo in FIGS. 3–6
is for illustrative purposes only and forms no part of the
claimed design.

1 Claim, 6 Drawing Sheets



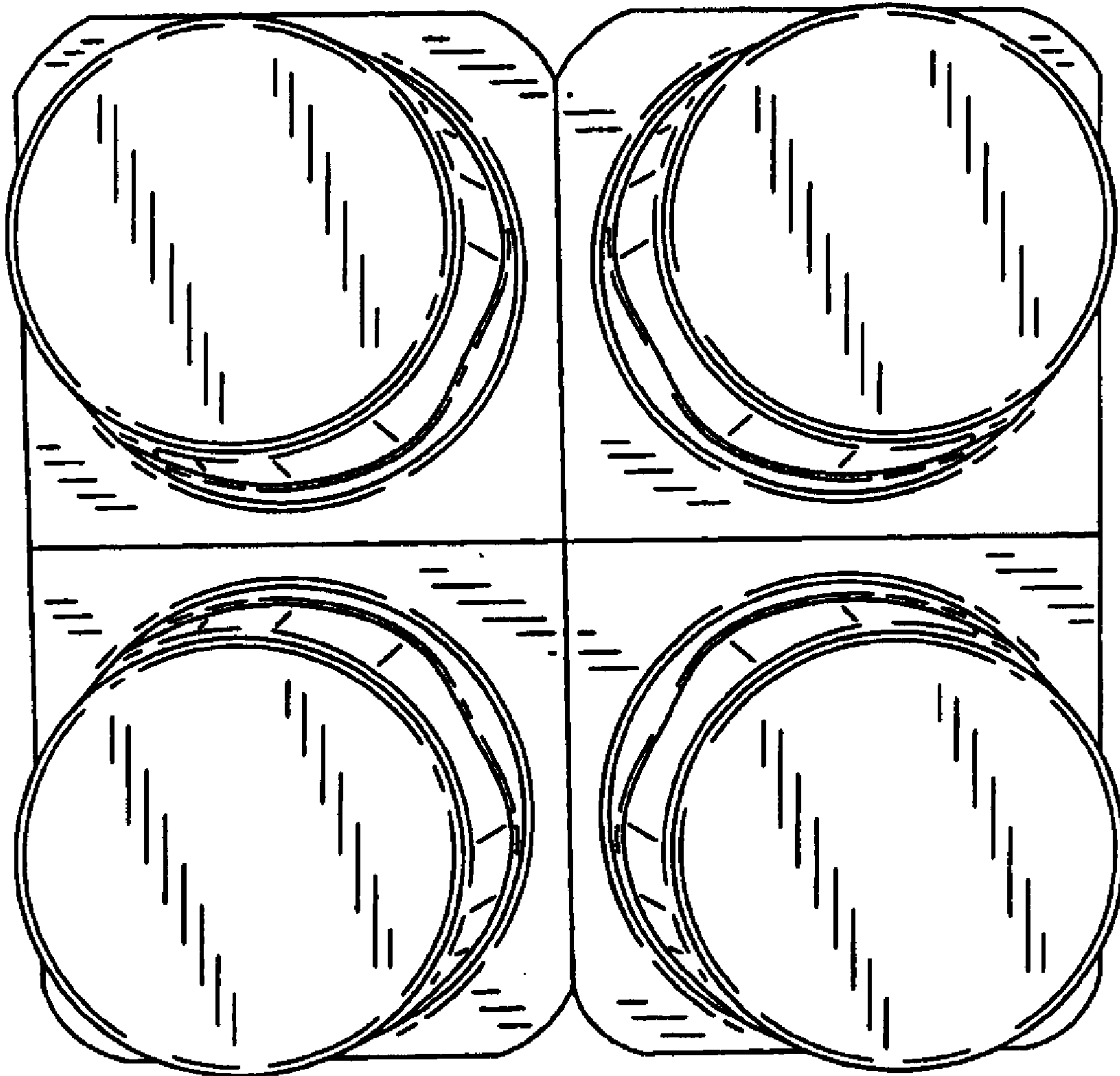


FIG. 1

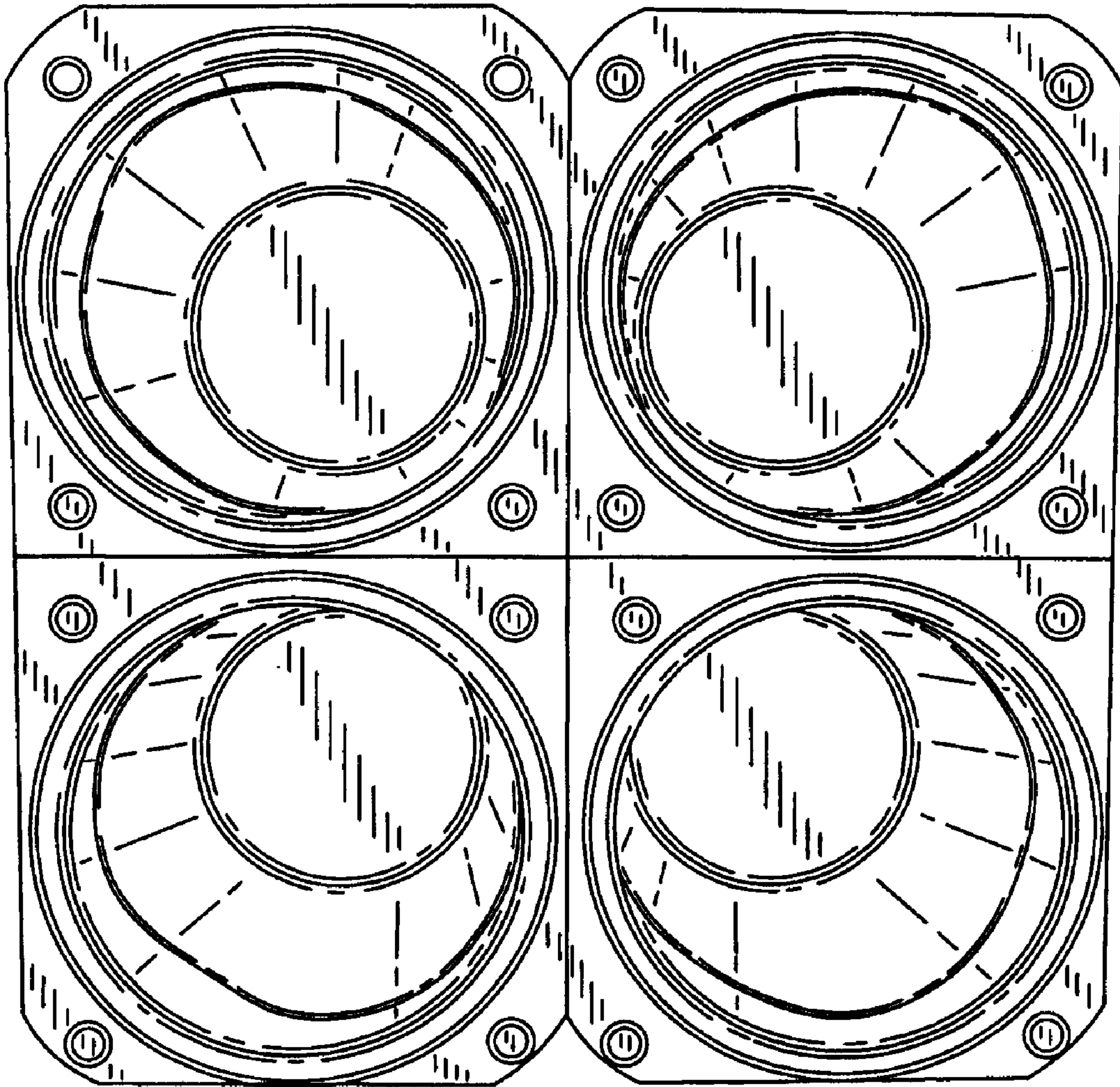


FIG. 2

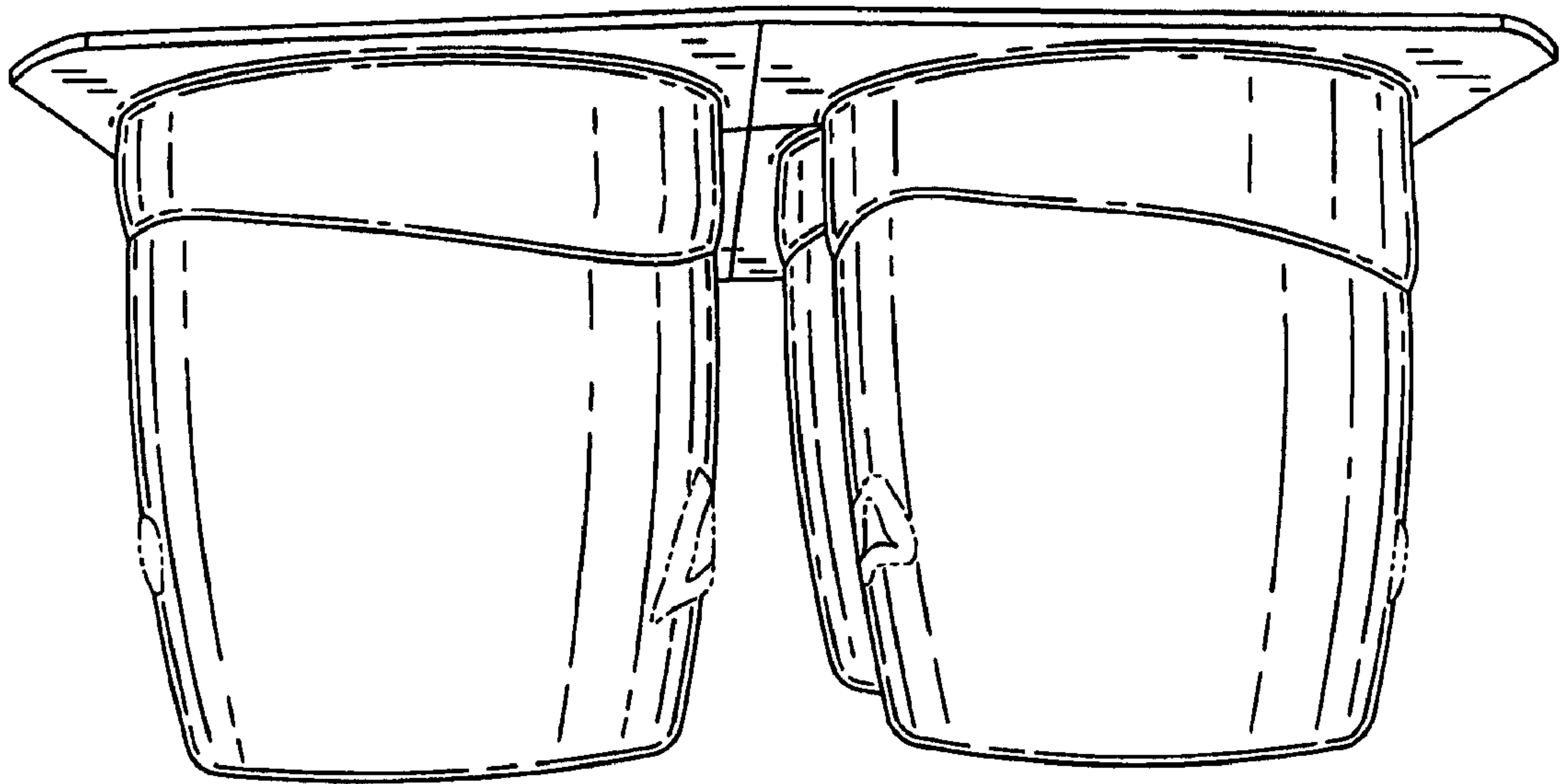


FIG. 3

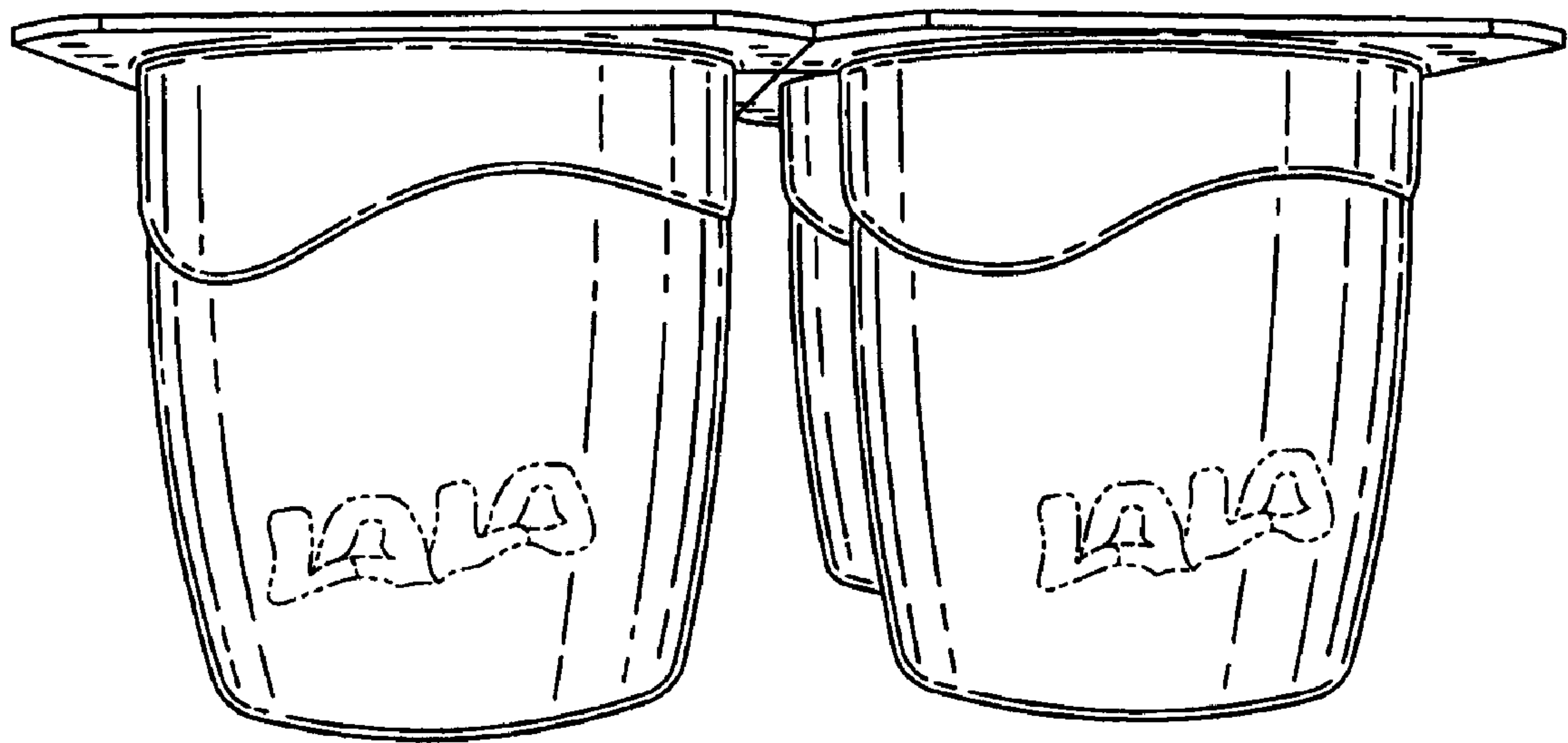


FIG. 4

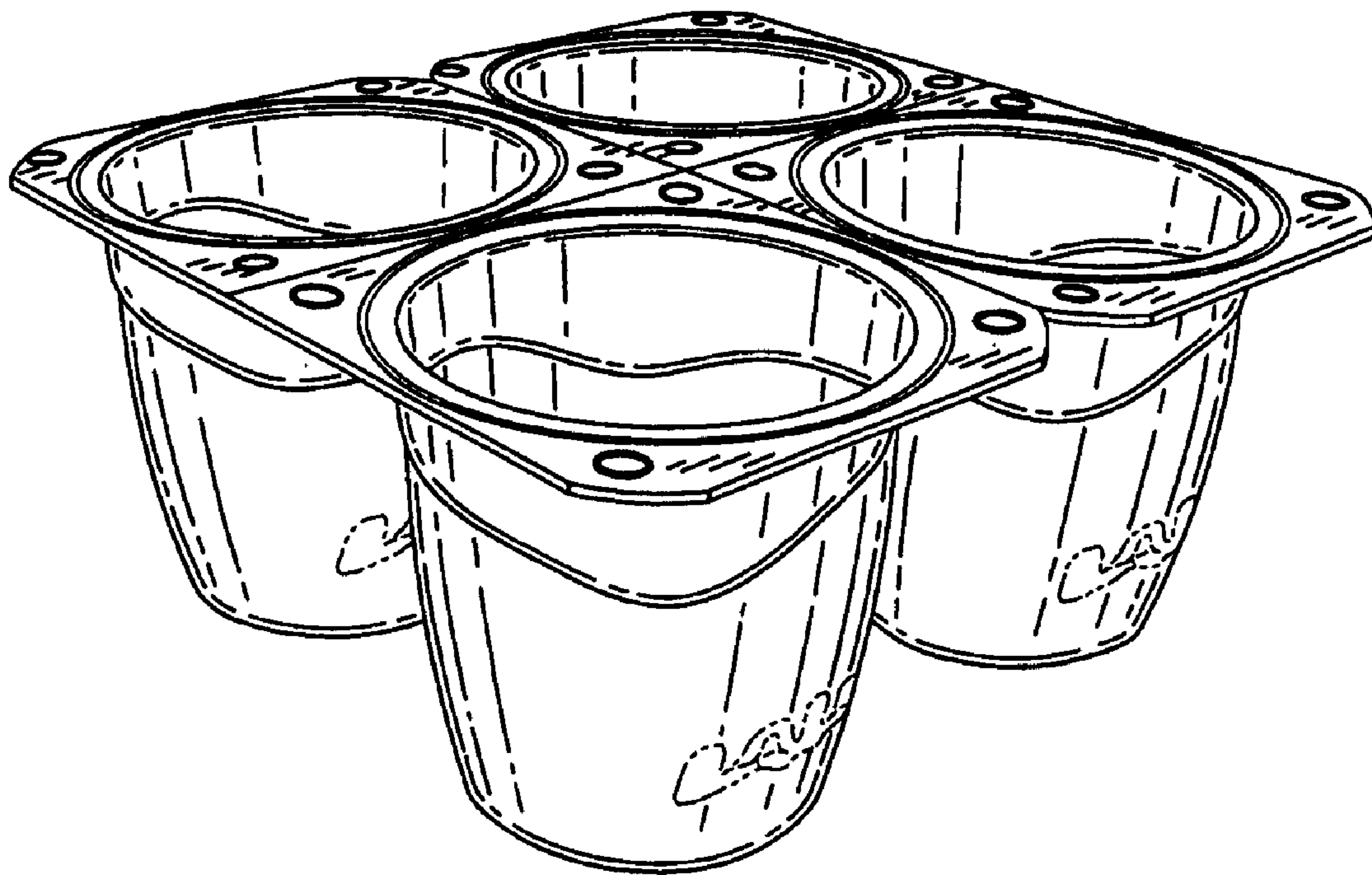


FIG. 5

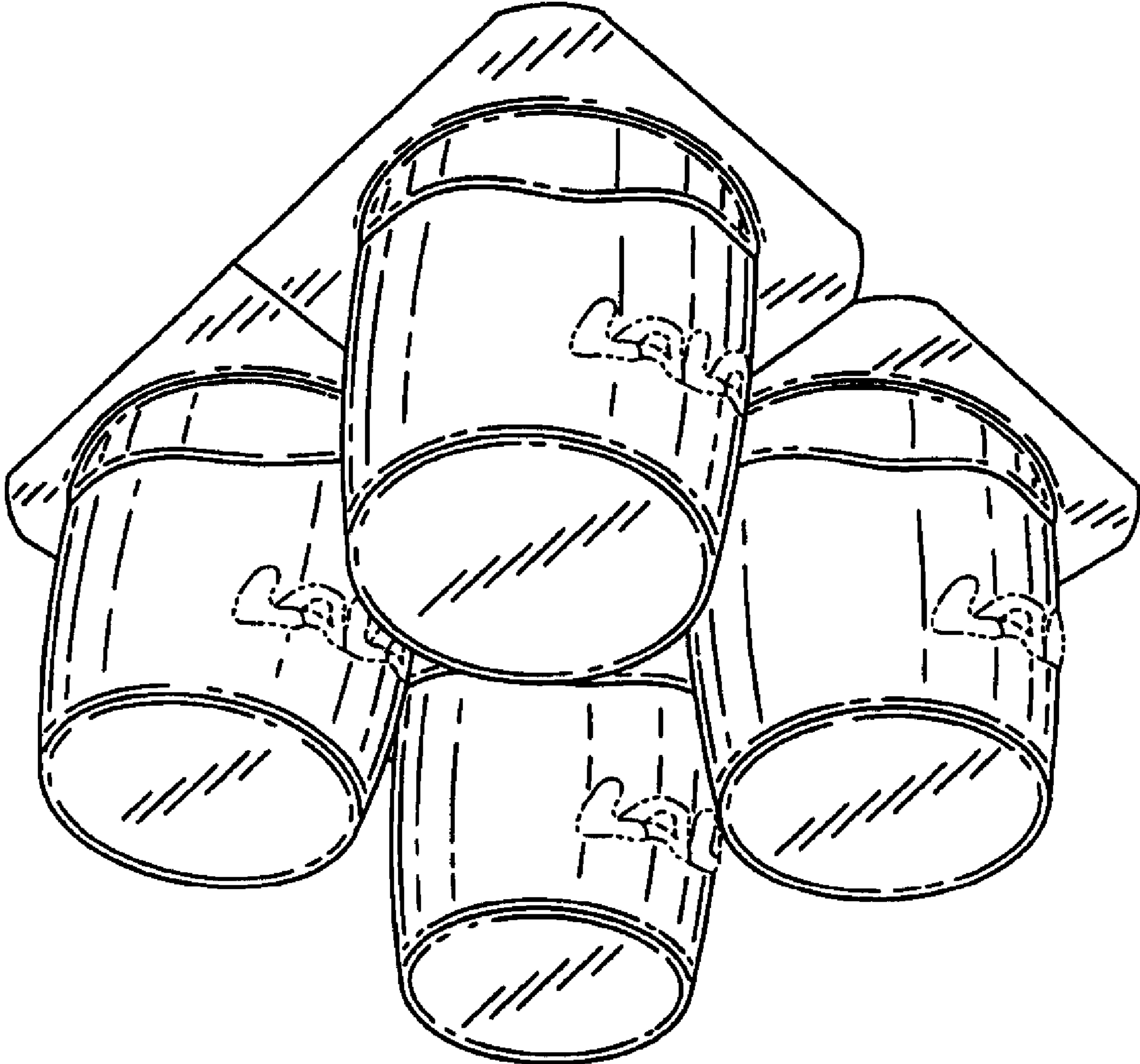


FIG. 6