



US00D535193S

(12) **United States Design Patent**  
**Rutledge**

(10) **Patent No.:** **US D535,193 S**

(45) **Date of Patent:** **\*\* Jan. 16, 2007**

(54) **PAPERBOARD PACKAGE WITH DISPOSABLE CONTAINER**

(75) Inventor: **Lynda Rutledge**, Richmond, IN (US)

(73) Assignee: **Fort James Corporation**, Atlanta, GA (US)

(\*\*) Term: **14 Years**

(21) Appl. No.: **29/252,809**

(22) Filed: **Jan. 27, 2006**

(51) **LOC (8) Cl.** ..... **09-01**

(52) **U.S. Cl.** ..... **D9/721**

(58) **Field of Classification Search** ..... D9/715,  
D9/719, 721, 414, 418, 430, 432, 433; D7/500,  
D7/586, 587; 206/242, 449; 220/62  
See application file for complete search history.

(56) **References Cited**

U.S. PATENT DOCUMENTS

D98,690	S	*	2/1936	Pomerantz	.....	D9/721
D111,709	S	*	10/1938	Levy	.....	D9/721
3,930,698	A		1/1976	Colgan		
D244,355	S	*	5/1977	Mazie et al.	.....	D9/432
D244,430	S	*	5/1977	Larkin	.....	D9/432
D306,697	S	*	3/1990	Fonas	.....	D9/432
4,930,662	A		6/1990	Carrillo		
5,074,431	A		12/1991	Sendelbach		
D409,049	S		5/1999	Millard		
D414,079	S		9/1999	Groom, II		
D452,118	S	*	12/2001	Benson	.....	D7/586
D461,125	S	*	8/2002	Decello et al.	.....	D9/432
D494,420	S	*	8/2004	Wellner	.....	D7/587

D506,133	S	*	6/2005	Goodfellow et al.	.....	D9/433
D521,377	S	*	5/2006	Jones	.....	D9/432
2005/0092625	A1	*	5/2005	Brizzi et al.	.....	206/242

\* cited by examiner

*Primary Examiner*—Mitchell Siegel

*Assistant Examiner*—Shanda C. Hill

(74) *Attorney, Agent, or Firm*—Georgia-Pacific Corp.;  
Jacqueline M. Hutter

(57) **CLAIM**

The ornamental design for a paperboard package with disposable container, as shown and described.

**DESCRIPTION**

FIG. 1 is a front perspective view of the paperboard package with disposable container of this invention;  
FIG. 2 is a left side view in elevation of the paperboard package with disposable container of FIG. 1;  
FIG. 3 is a right side view in elevation of the paperboard package with disposable container of FIG. 1;  
FIG. 4 is a top view of the paperboard package with disposable container of FIG. 1;  
FIG. 5 is a back view in elevation of the paperboard package with disposable container of FIG. 1;  
FIG. 6 is a front view in elevation of the paperboard package with disposable container of FIG. 1; and,  
FIG. 7 is a bottom view of the paperboard package with disposable container of FIG. 1.

The broken lines shown in the drawing disclosure are for illustrative purposes only and form no part of the claimed design.

**1 Claim, 4 Drawing Sheets**

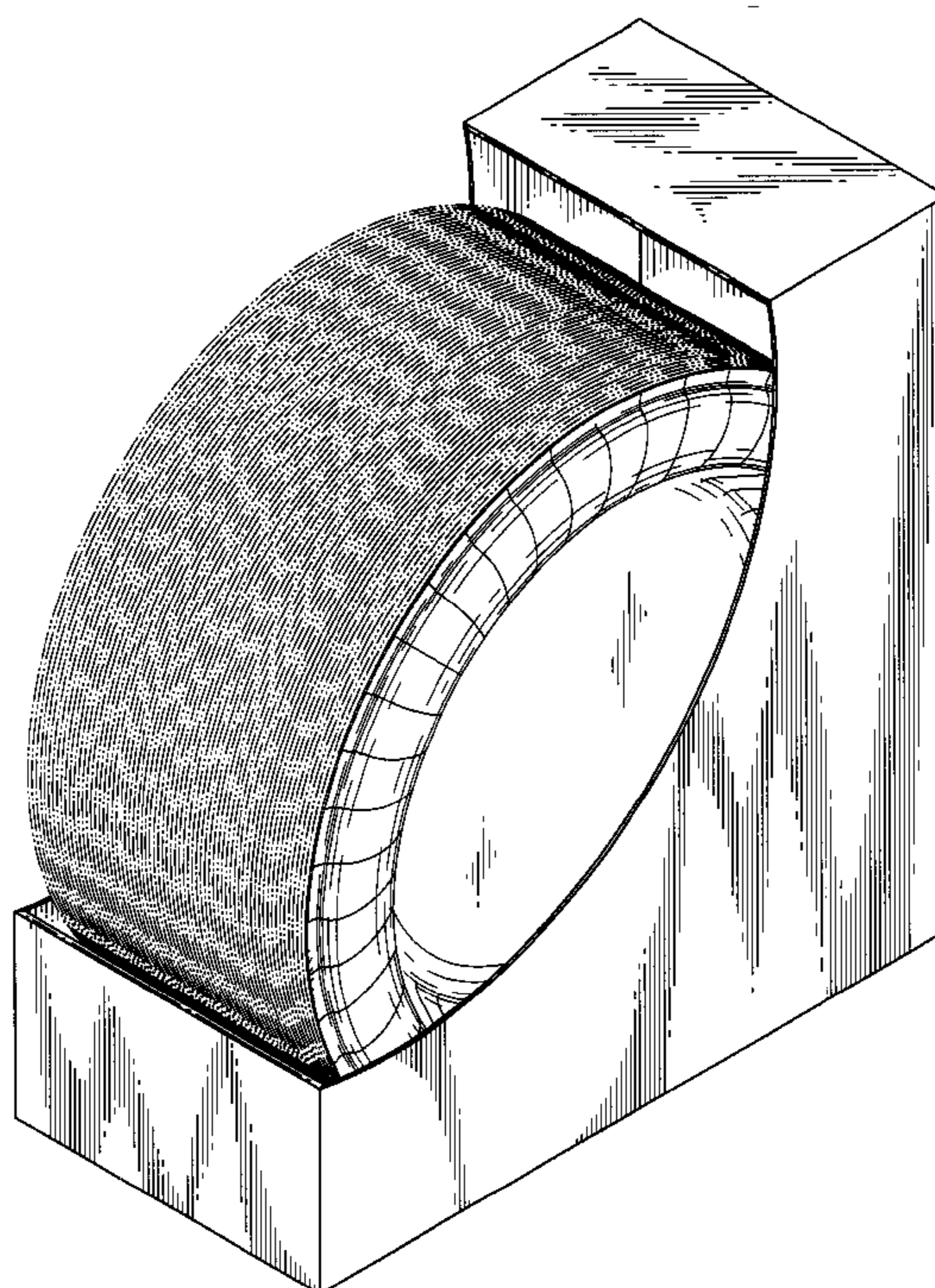


FIG. 1

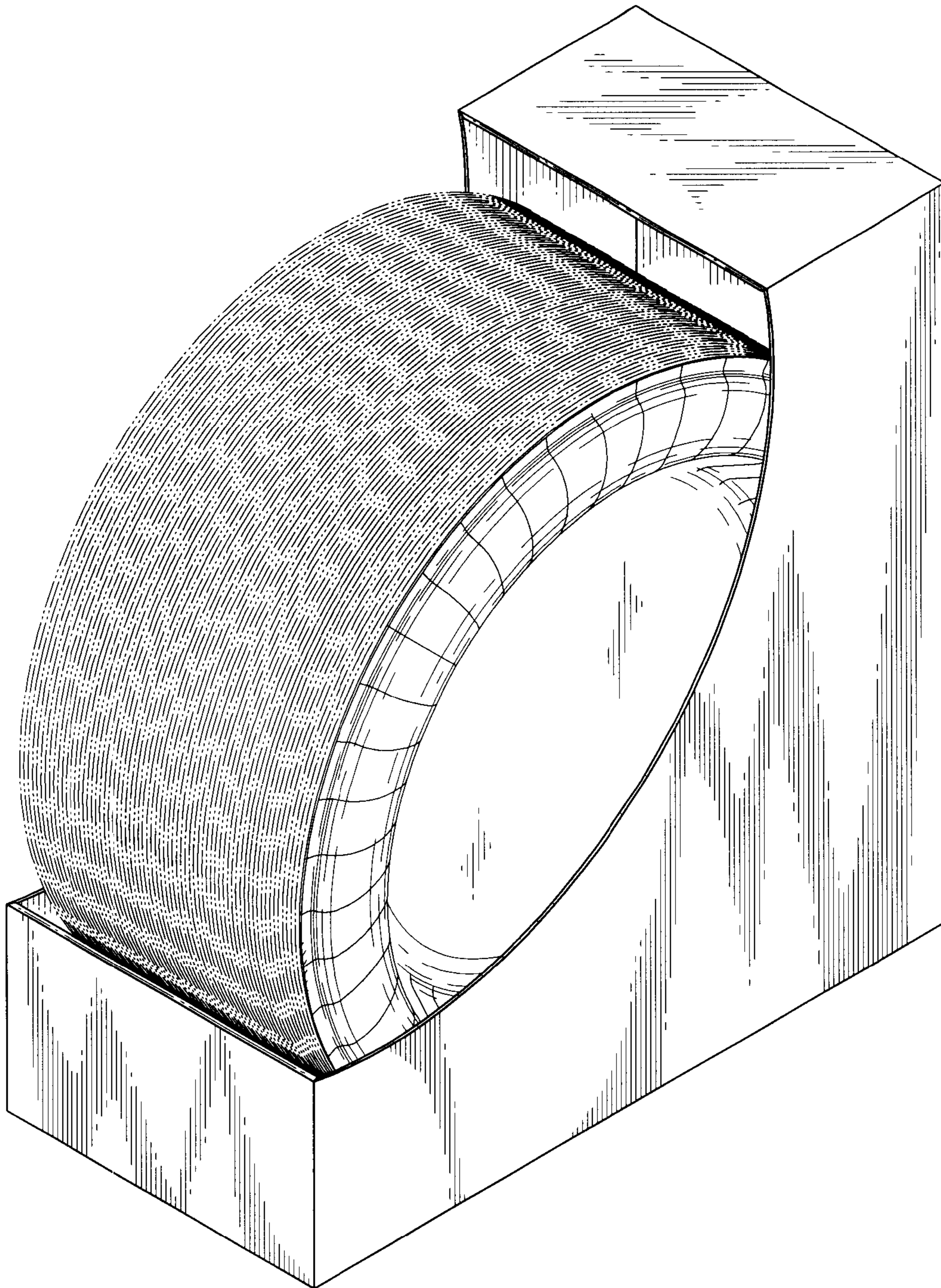


FIG. 2

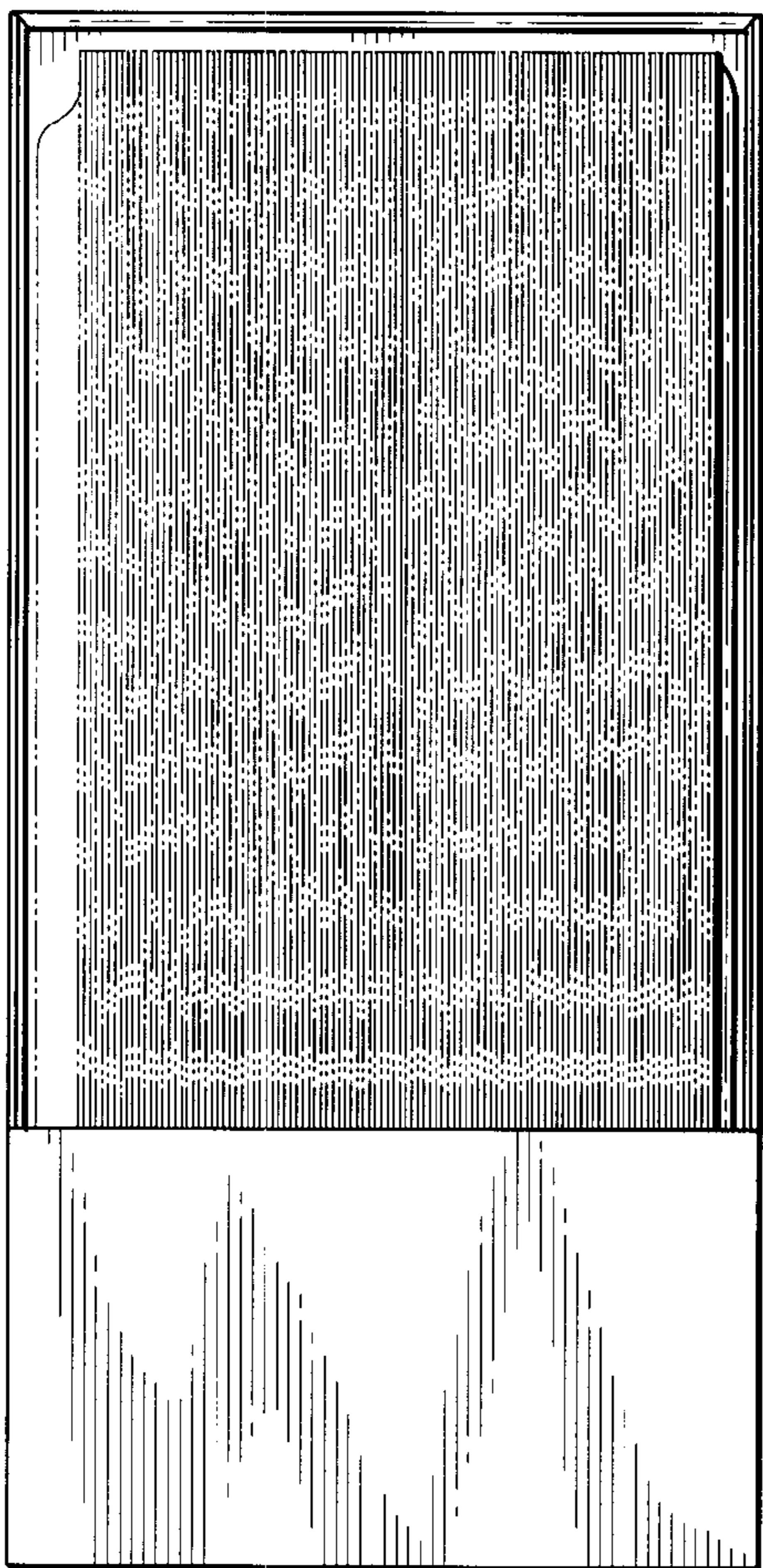


FIG. 3

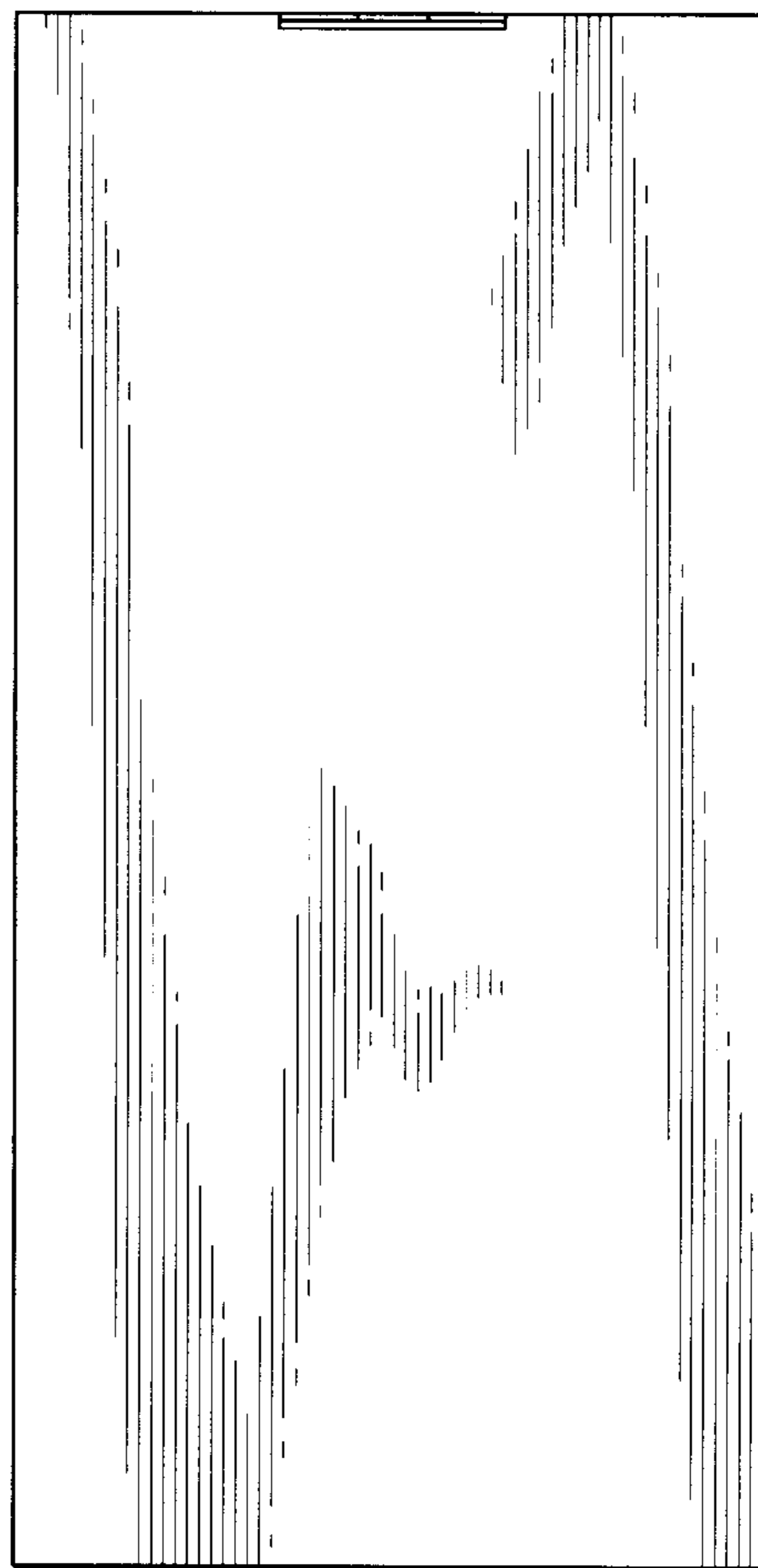


FIG. 4

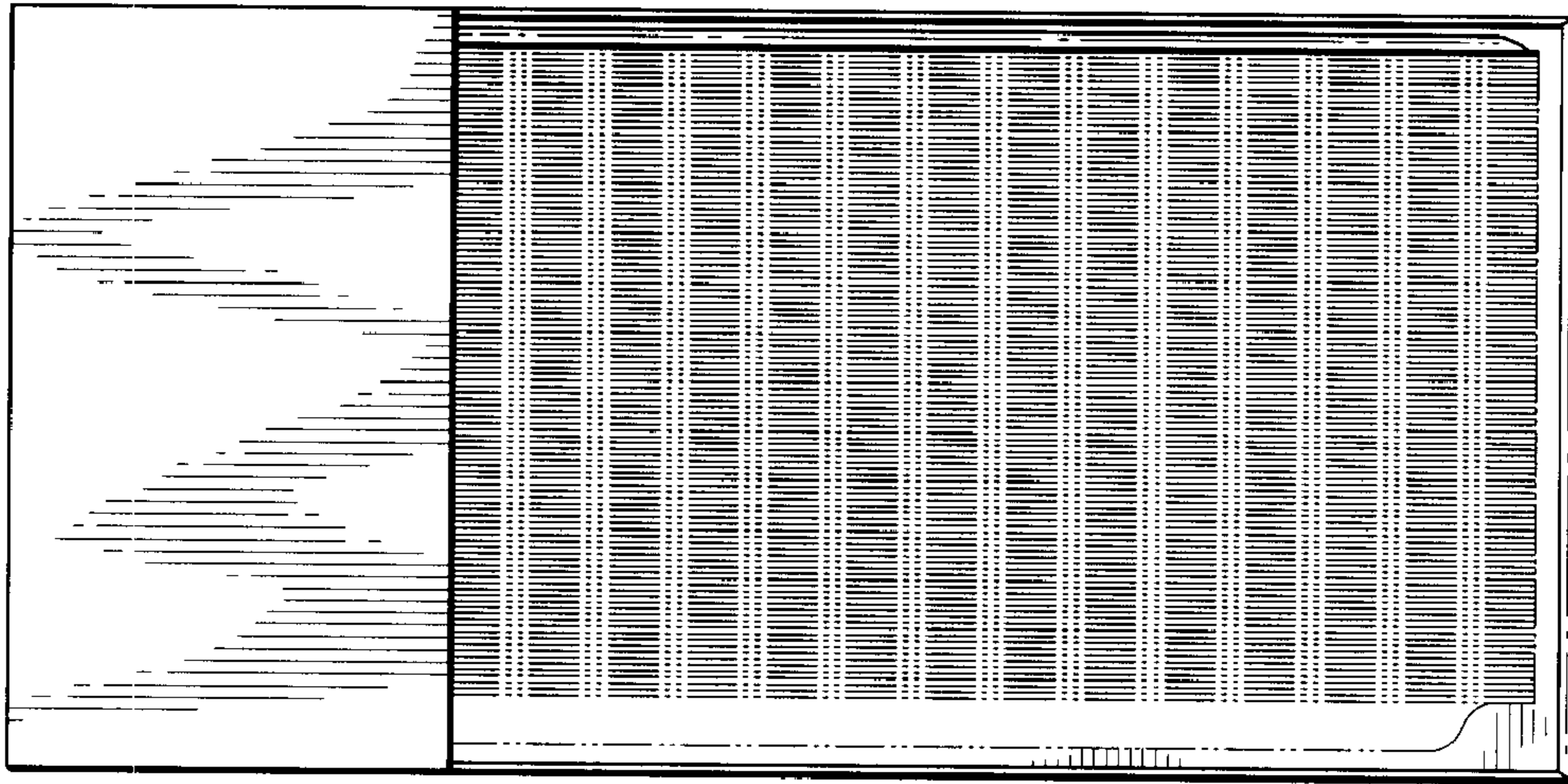


FIG. 5

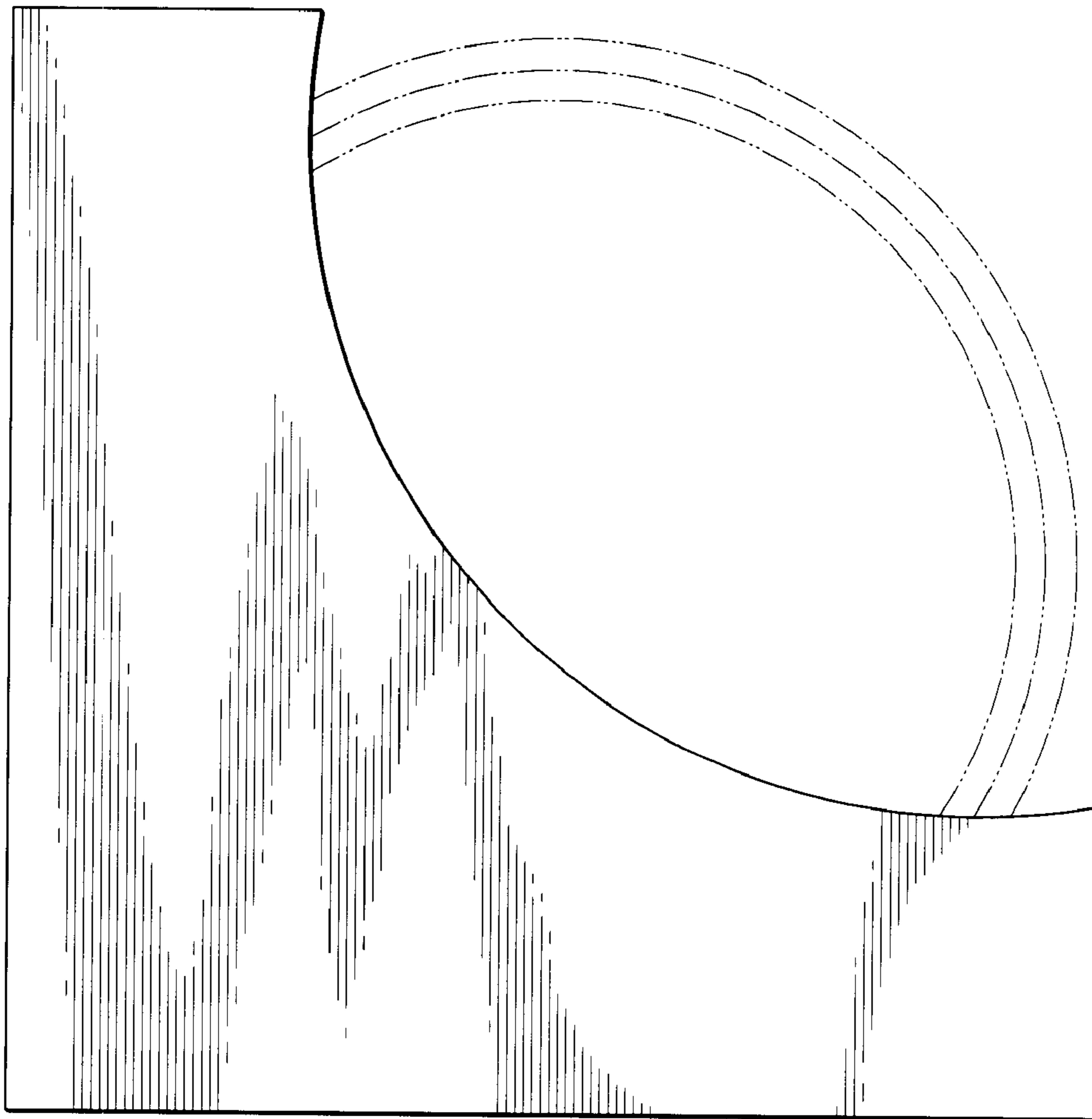


FIG. 6

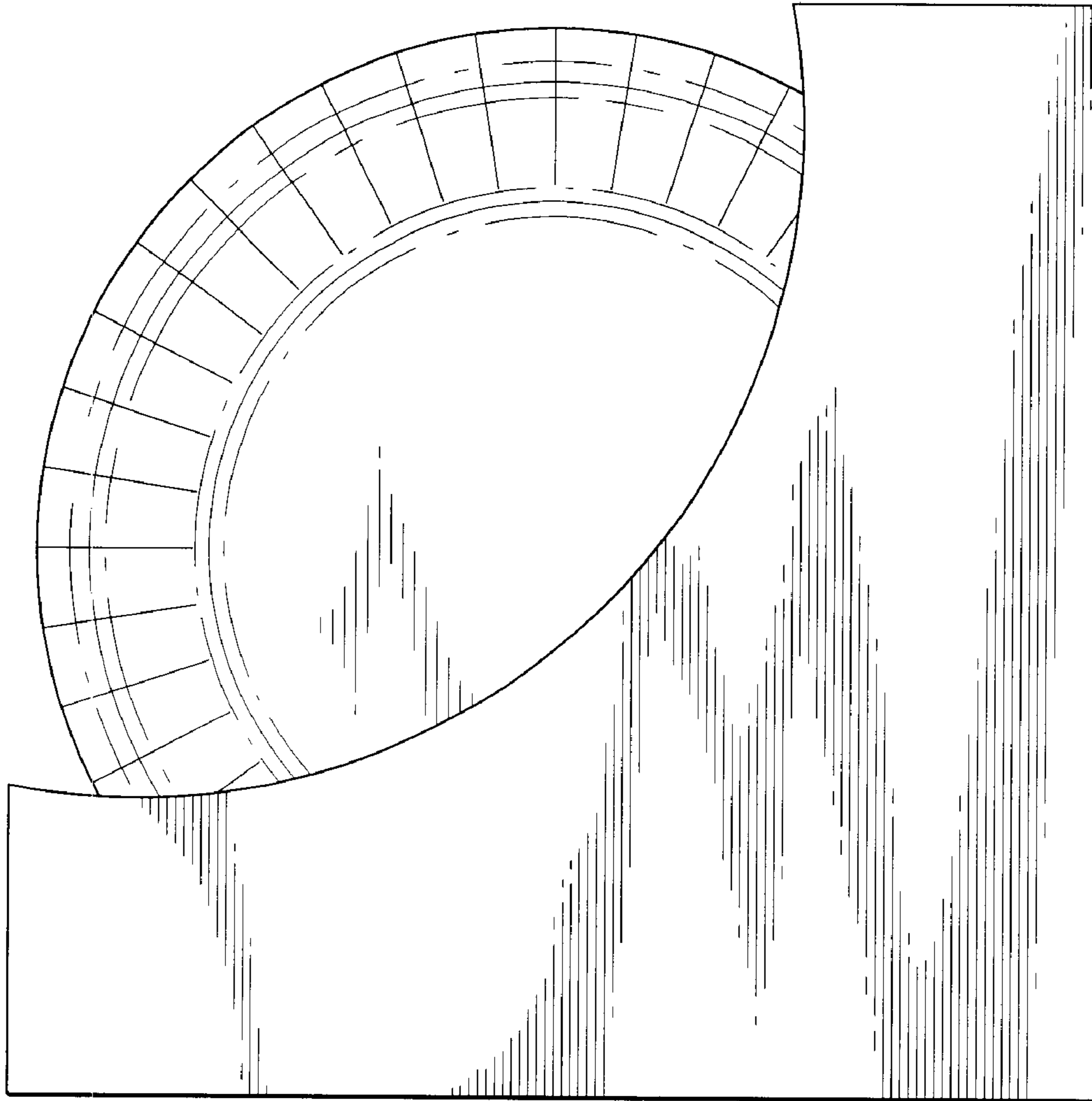


FIG. 7

