



US00D535192S

(12) **United States Design Patent** (10) **Patent No.:** **US D535,192 S**
Yashima et al. (45) **Date of Patent:** **** Jan. 16, 2007**

- (54) **PACKAGING BAG**
- (75) Inventors: **Hiroshi Yashima**, Utsunomiya (JP);
Tomoaki Shimazu, Yachiyo (JP)
- (73) Assignee: **Kao Corporation**, Tokyo (JP)
- (**) Term: **14 Years**
- (21) Appl. No.: **29/253,128**
- (22) Filed: **Feb. 2, 2006**

- D349,451 S 8/1994 Sagnard
- 5,392,589 A * 2/1995 Buchanan 53/412
- D385,487 S * 10/1997 Gonthier D9/704
- 5,758,473 A 6/1998 Patelli
- 6,213,645 B1 4/2001 Beer
- 6,461,043 B1 10/2002 Healy et al.
- 6,533,456 B1 3/2003 Buchman
- 6,743,492 B1 6/2004 Bray et al.
- D501,134 S 1/2005 Takahashi et al.
- D504,622 S 5/2005 Takahashi et al.
- 2004/0013325 A1 1/2004 Cook
- 2004/0091186 A1 * 5/2004 Shibata 383/210
- 2004/0131283 A1 * 7/2004 Sprague et al. 383/61.2
- 2004/0218839 A1 * 11/2004 Olin 383/61.2

Related U.S. Application Data

- (62) Division of application No. 29/214,477, filed on Oct. 5, 2004.

(30) **Foreign Application Priority Data**

- Apr. 14, 2004 (JP) 2004-011470
- Apr. 14, 2004 (JP) 2004-011471
- Apr. 14, 2004 (JP) 2004-011472
- Apr. 14, 2004 (JP) 2004-011473
- Apr. 14, 2004 (JP) 2004-011474

- (51) **LOC (8) Cl.** **09-05**
- (52) **U.S. Cl.** **D9/702**
- (58) **Field of Classification Search** D9/702,
D9/703-711, 713-714, 720, 722; D28/118,
D28/207, 224; 383/61.2, 104, 200
See application file for complete search history.

(56) **References Cited**

U.S. PATENT DOCUMENTS

- 1,955,310 A * 4/1934 Powell et al. 383/59
- 2,619,801 A 12/1952 Evans
- 3,067,926 A * 12/1962 Brady 383/114
- 3,462,067 A 8/1969 Shore
- 3,508,374 A 4/1970 Bertoglio
- 3,595,467 A * 7/1971 Goglio 383/103
- 3,741,778 A * 6/1973 Goglio 426/107
- D278,974 S * 5/1985 Ray D9/704
- 4,603,537 A * 8/1986 Pace 53/415
- 4,902,140 A * 2/1990 Branson 383/25

* cited by examiner

Primary Examiner—Stella Reid

Assistant Examiner—Rashida C. McCoy

(74) *Attorney, Agent, or Firm*—Oblon, Spivak, McClelland,
Maier & Neustadt, P.C.

(57) **CLAIM**

The ornamental design for a packaging bag, as shown and described.

DESCRIPTION

FIG. 1 is a perspective view of the packaging bag showing our new design;
 FIG. 2 is a front view thereof;
 FIG. 3 is a left side view thereof;
 FIG. 4 is a right side view thereof;
 FIG. 5 is a top plan view thereof;
 FIG. 6 is a bottom view thereof;
 FIG. 7 is a sectional view taken along line 7—7 of FIG. 2;
 FIG. 8 is an enlarged sectional view of area 8 in FIG. 7; and,
 FIG. 9 is a perspective view thereof in use.

The broken lines shown in the views are for illustrative purpose only and form no part of claimed design. The lines consisting of long lines and dots indicate the conceptual border lines between the claimed portions and the remaining portion.

1 Claim, 4 Drawing Sheets

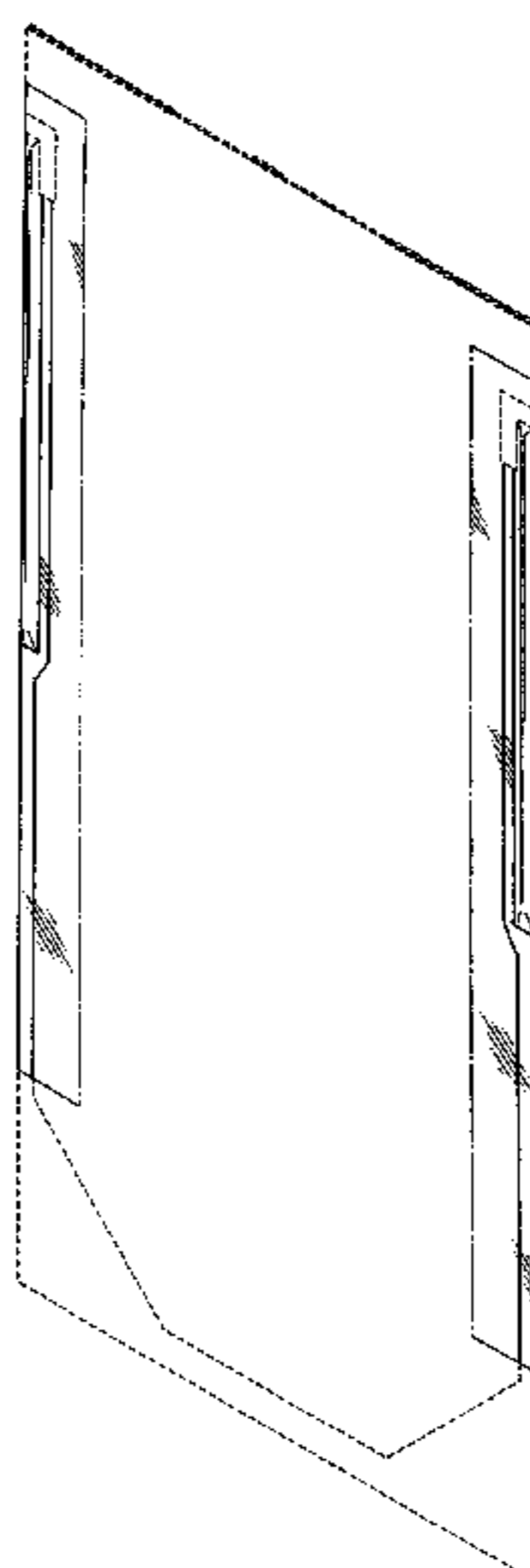


Fig. 1

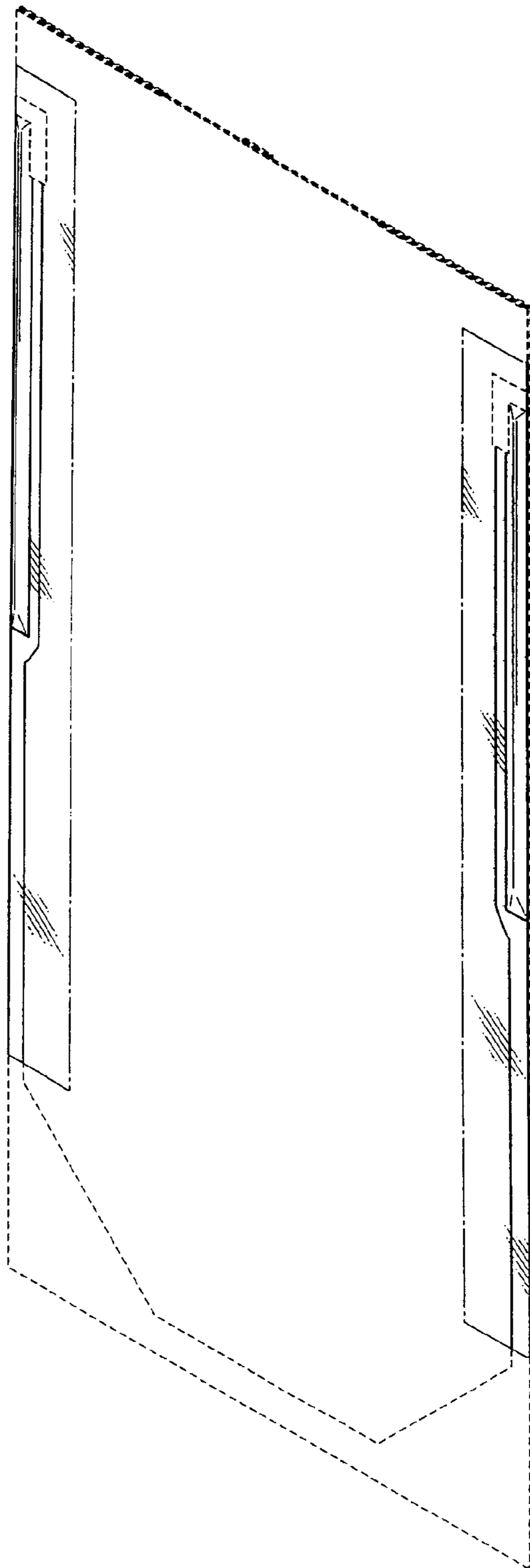


Fig. 2

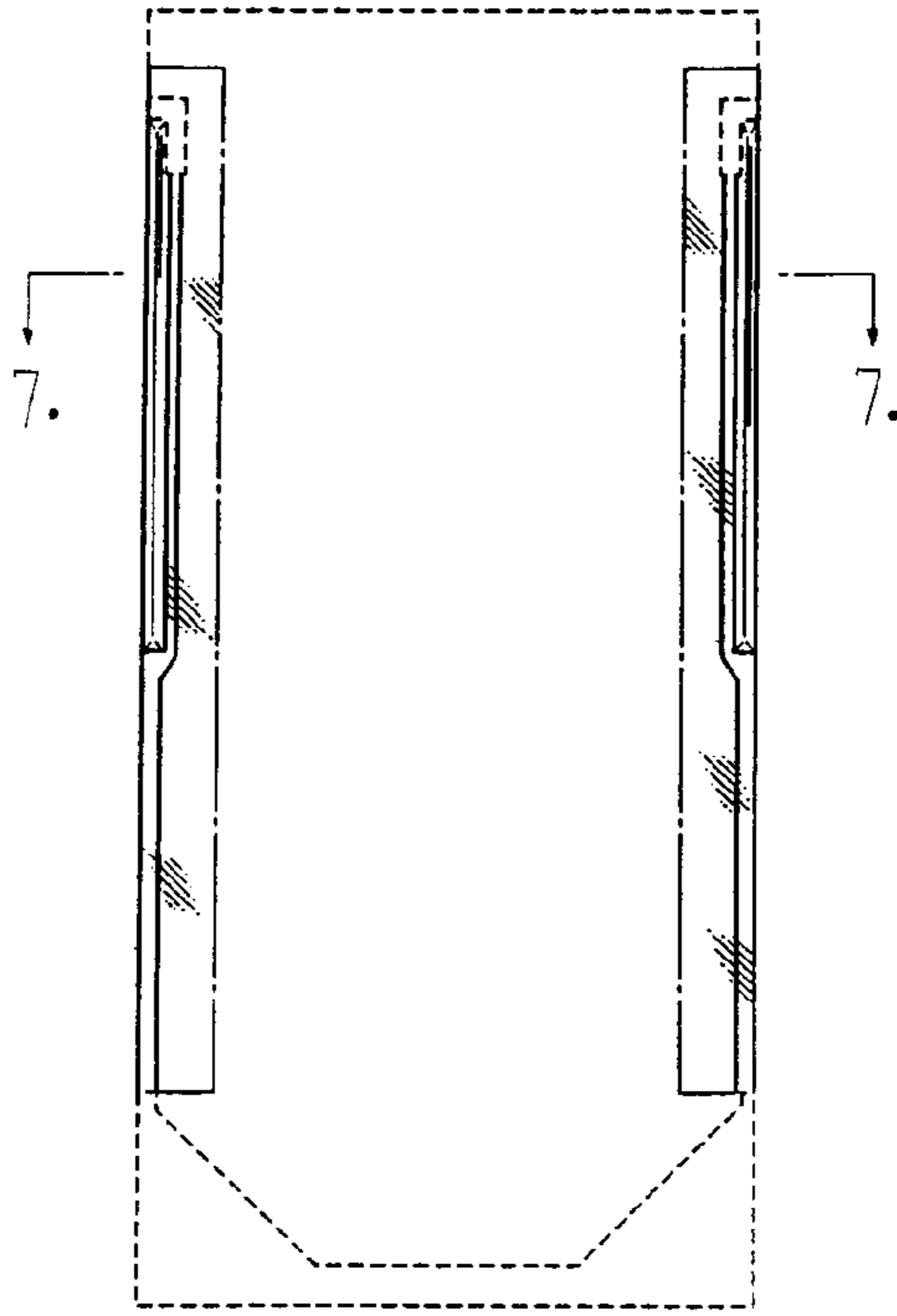


Fig. 3



Fig. 4



Fig. 5



Fig. 6



Fig. 7

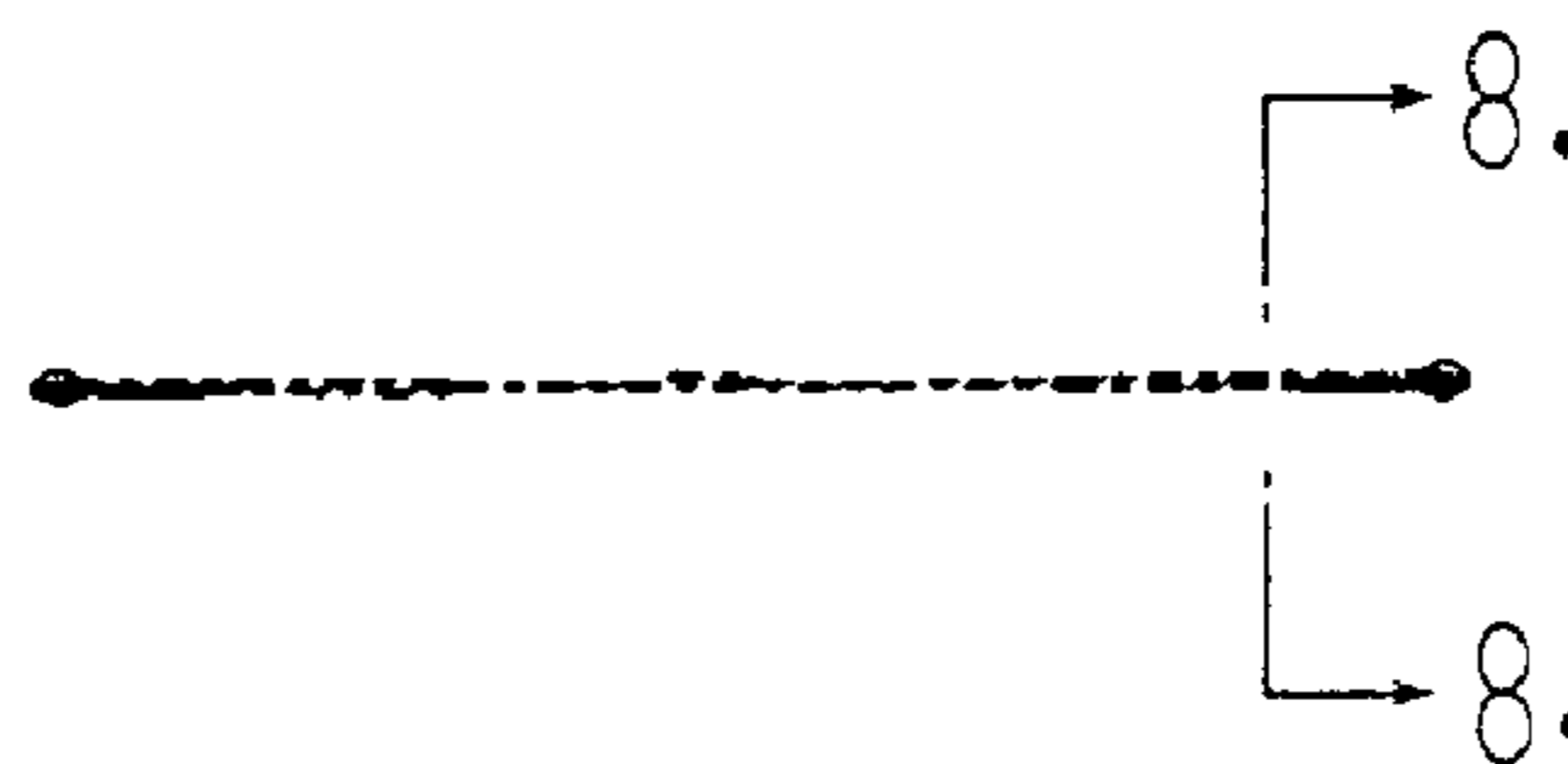


Fig. 8

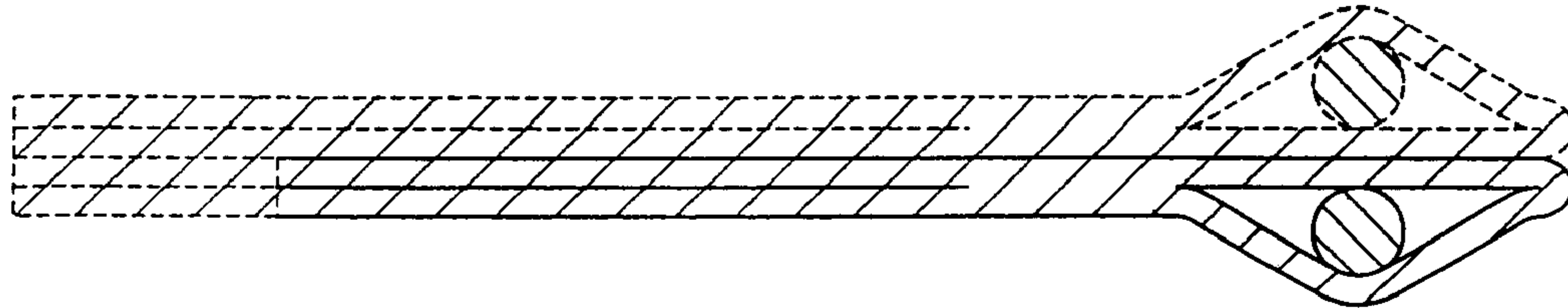


Fig. 9

