



US00D535186S

(12) **United States Design Patent**  
**Tanner**

(10) **Patent No.:** **US D535,186 S**

(45) **Date of Patent:** **\*\* \*Jan. 16, 2007**

(54) **CONTAINER**

(75) **Inventor:** **Roger Geoffrey Tanner**, Great Dunmow (GB)

(73) **Assignee:** **Crown Packaging Technology, Inc.**, Alsip, IL (US)

(\*) **Notice:** This patent is subject to a terminal disclaimer.

(\*\*) **Term:** **14 Years**

(21) **Appl. No.:** **29/238,372**

(22) **Filed:** **Sep. 14, 2005**

(51) **LOC (8) Cl.** ..... **09-03**

(52) **U.S. Cl.** ..... **D9/422; D9/424; D9/420**

(58) **Field of Classification Search** ..... D9/424, D9/417, 419, 420, 422, 423–426, 428; D3/20, D3/203.2; D18/17; D28/73, 76–79, 82, 83; 132/293, 294, 305, 315; 206/39, 235, 527, 206/581, 815, 823

See application file for complete search history.

(56) **References Cited**

**U.S. PATENT DOCUMENTS**

2,295,747 A	9/1942	Mills	
2,722,309 A	11/1955	Waterman	
D199,819 S	12/1964	Palson	
D200,000 S	1/1965	Richards	
D267,983 S	2/1983	Cheung	
D277,420 S	1/1985	Bakic	
D278,207 S	4/1985	McLaughlin	
D280,852 S	10/1985	Bakic	
D281,827 S	12/1985	Bakic	
D285,177 S	8/1986	Goetz	
D285,414 S	9/1986	Goetz et al.	
D303,581 S	9/1989	Bakic	
D305,947 S	2/1990	Chevassus	
D309,431 S	7/1990	Sheehan	
D311,684 S	* 10/1990	Newell et al.	..... D9/418
D323,293 S	1/1992	Gutkowski	
D328,710 S	8/1992	Deflander	
D339,286 S	9/1993	Kelsey et al.	
D349,644 S	8/1994	Miyairi et al.	

D350,836 S	9/1994	Chevassus	
D351,789 S	10/1994	Lee	
D357,274 S	* 4/1995	Sato	..... D18/12
D369,282 S	4/1996	Arduini	
D375,258 S	11/1996	Weder et al.	
D375,620 S	11/1996	Chan	
D383,062 S	9/1997	Gilels et al.	
D389,174 S	* 1/1998	Yasoshima	..... D18/17
D394,131 S	5/1998	Litton	
D401,017 S	11/1998	Thorpe	
D407,855 S	4/1999	Orsomando	
D407,972 S	4/1999	Hilton	
D424,245 S	* 5/2000	Stoecker	..... D28/78
D431,881 S	10/2000	Gavin	
D432,911 S	10/2000	Clarke et al.	
D433,940 S	11/2000	Lindsay et al.	
6,240,989 B1	6/2001	Masoud	
D446,718 S	8/2001	Anderson	
D448,295 S	9/2001	Mozes	
D449,165 S	10/2001	van der Hulst	
D450,593 S	11/2001	Jebb et al.	
D452,373 S	12/2001	Horntrich	
6,341,710 B1	1/2002	Danielson et al.	
D455,235 S	* 4/2002	Braaten et al.	..... D28/78

(Continued)

*Primary Examiner*—Prabhakar Deshmukh  
*Assistant Examiner*—Derrick Holland  
(74) *Attorney, Agent, or Firm*—Knoble Yoshida & Dunleavy, LLC

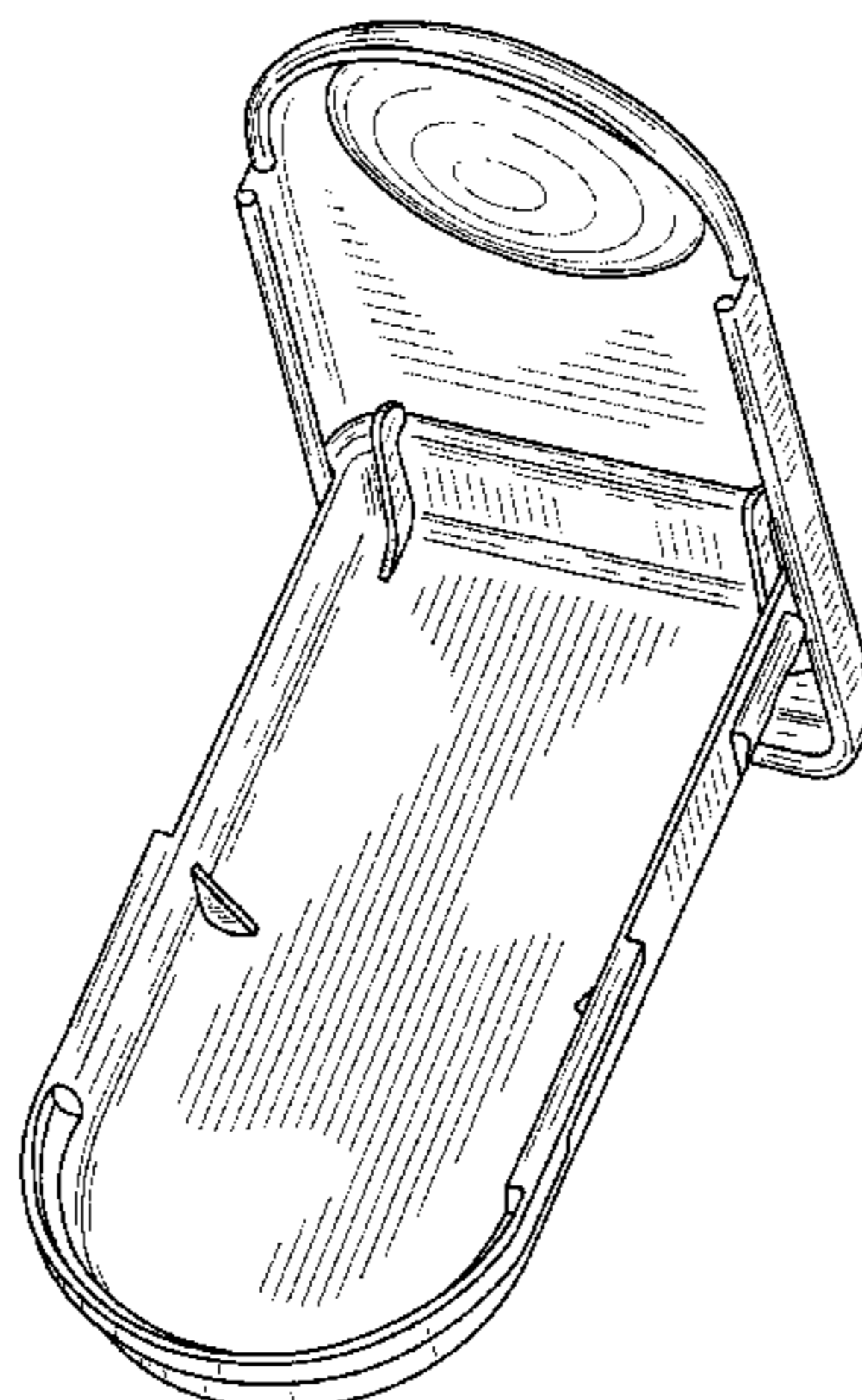
(57) **CLAIM**

The ornamental design for a “container,” as shown and described.

**DESCRIPTION**

FIG. 1 is a perspective view of a container, showing my new design;  
FIG. 2 is a first side elevational view;  
FIG. 3 is a second side elevational view;  
FIG. 4; is a rear elevational view;  
FIG. 5; is a front elevational view;  
FIG. 6 is a top plan view; and,  
FIG. 7 is a bottom plan view.

**1 Claim, 4 Drawing Sheets**



# US D535,186 S

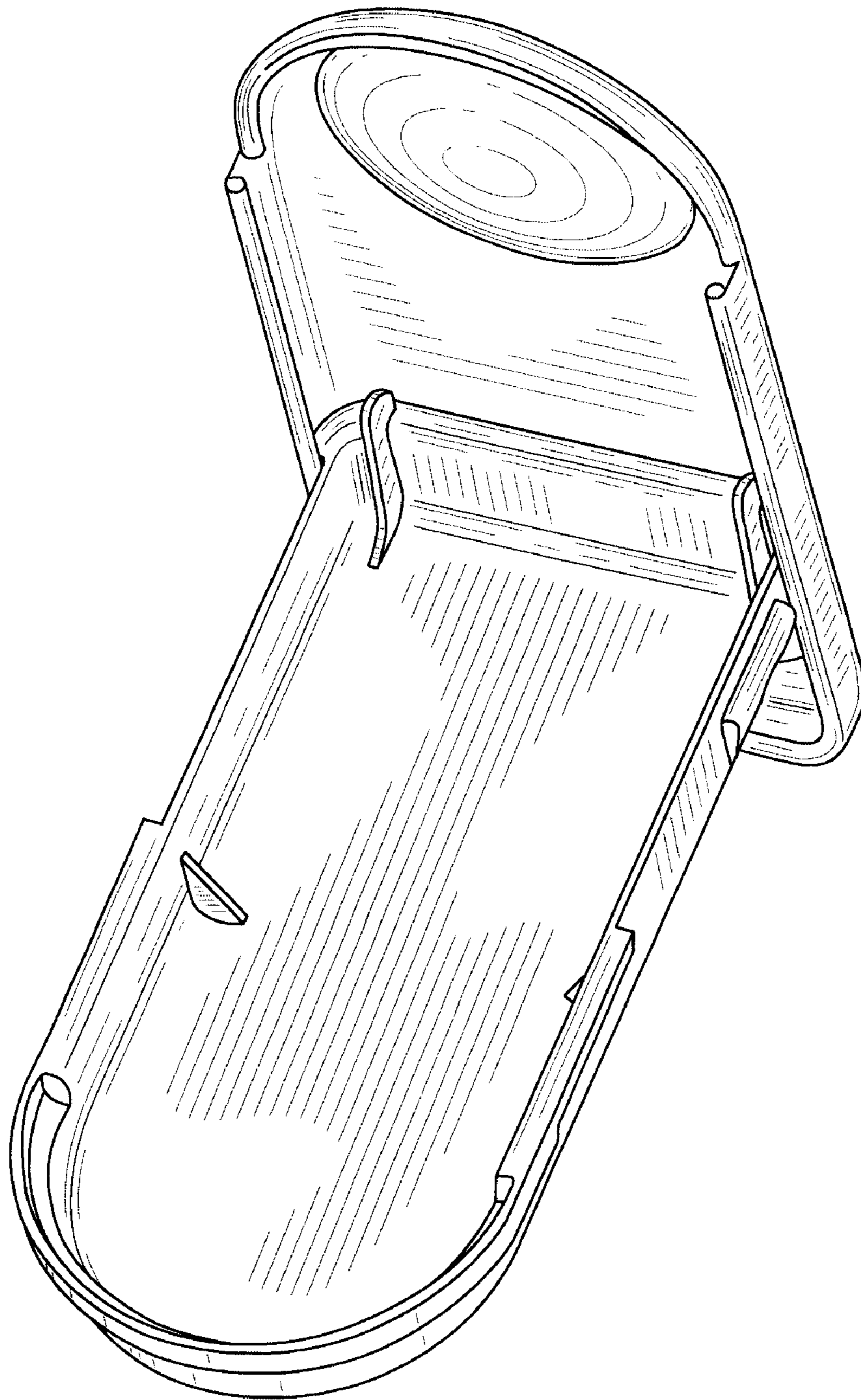
Page 2

---

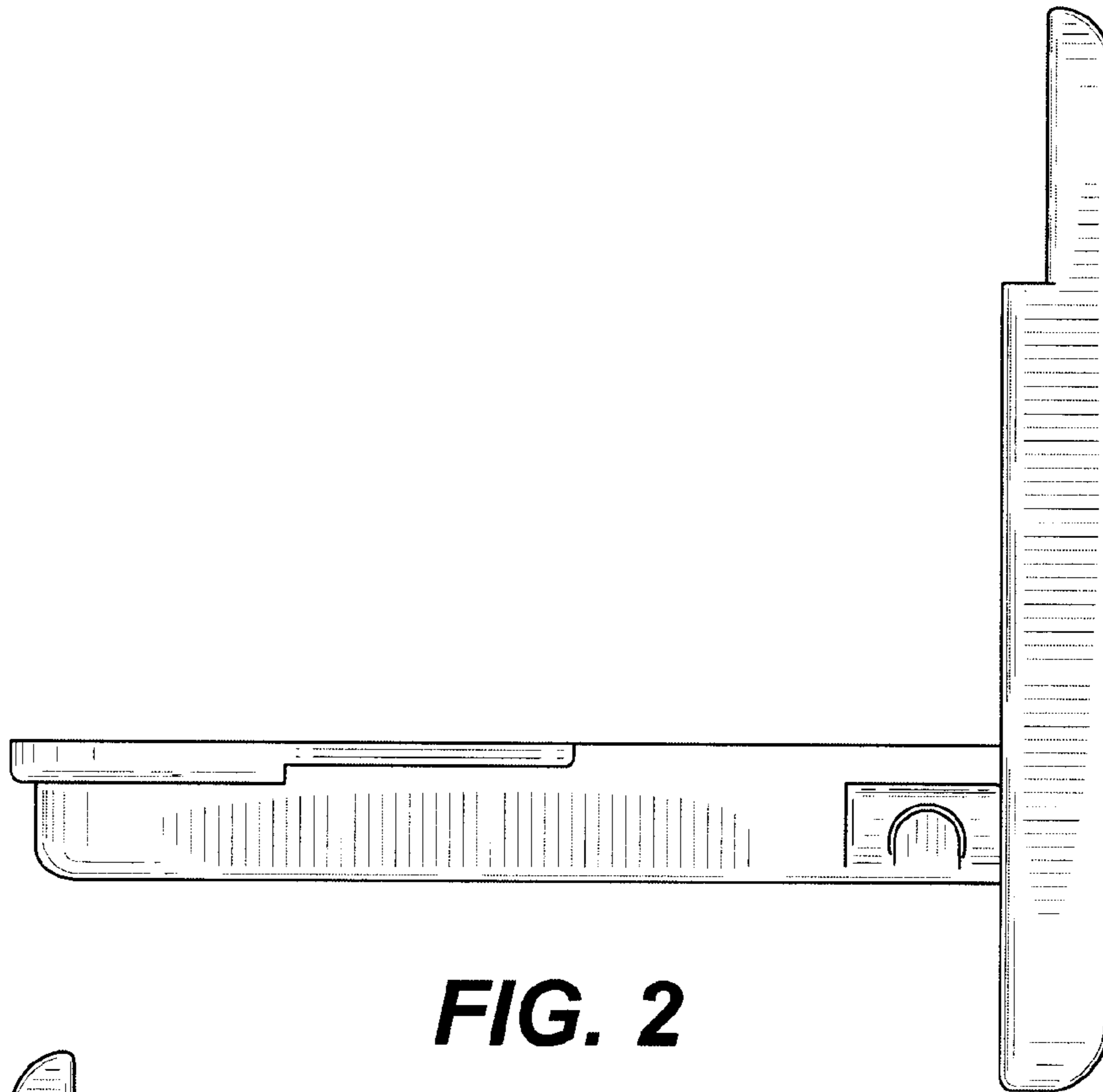
## U.S. PATENT DOCUMENTS

D460,690 S	7/2002	Doerschlag	D479,016 S	8/2003	Sgariboldi
D464,173 S	10/2002	Orsomando	D479,462 S	9/2003	Chan
D464,567 S	10/2002	Baerenwald et al.	D480,634 S	10/2003	Caroen
D465,729 S	11/2002	Nishimura	D484,409 S	12/2003	Haggerty et al.
D471,820 S	3/2003	Faillant-Dumas	D502,095 S	2/2005	Tucker et al.
D472,803 S	4/2003	Saunders	D509,732 S	9/2005	Staples
D473,680 S	4/2003	Saunders et al.	2001/0023595 A1	9/2001	Kaposi
D475,282 S	6/2003	Snaith et al.	2002/0005044 A1	1/2002	Mahajan
D478,689 S	8/2003	Thorpe			

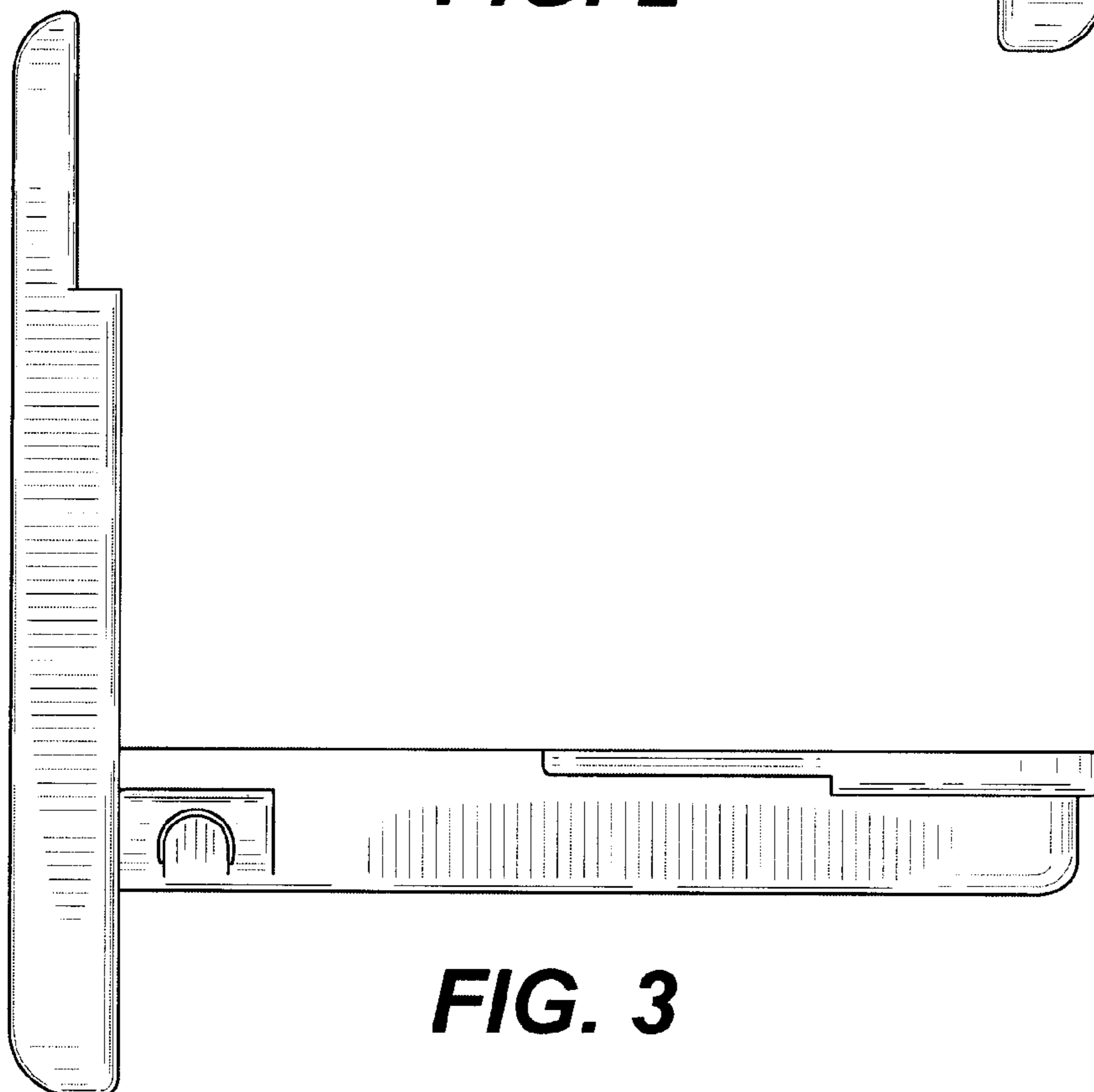
\* cited by examiner



**FIG. 1**

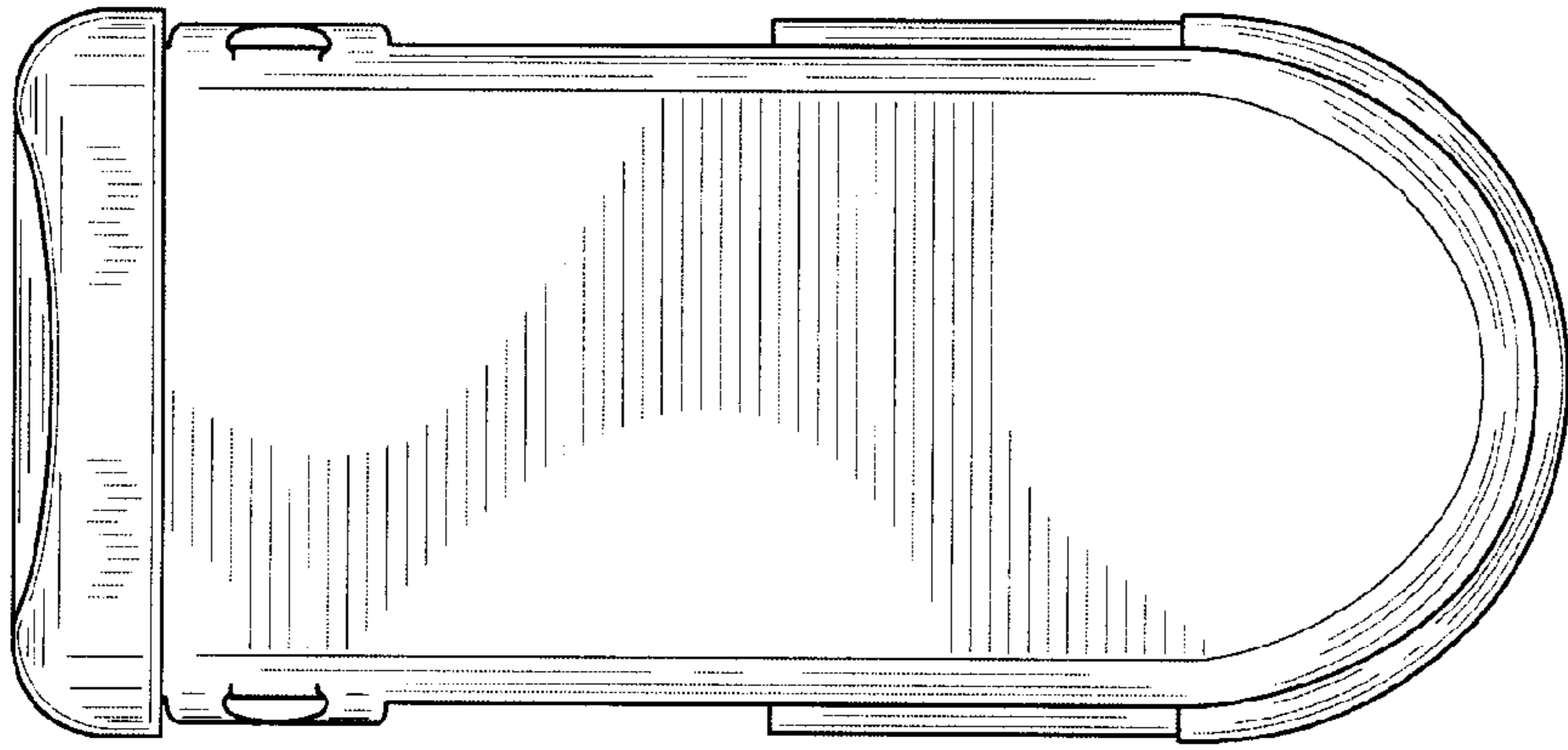


**FIG. 2**

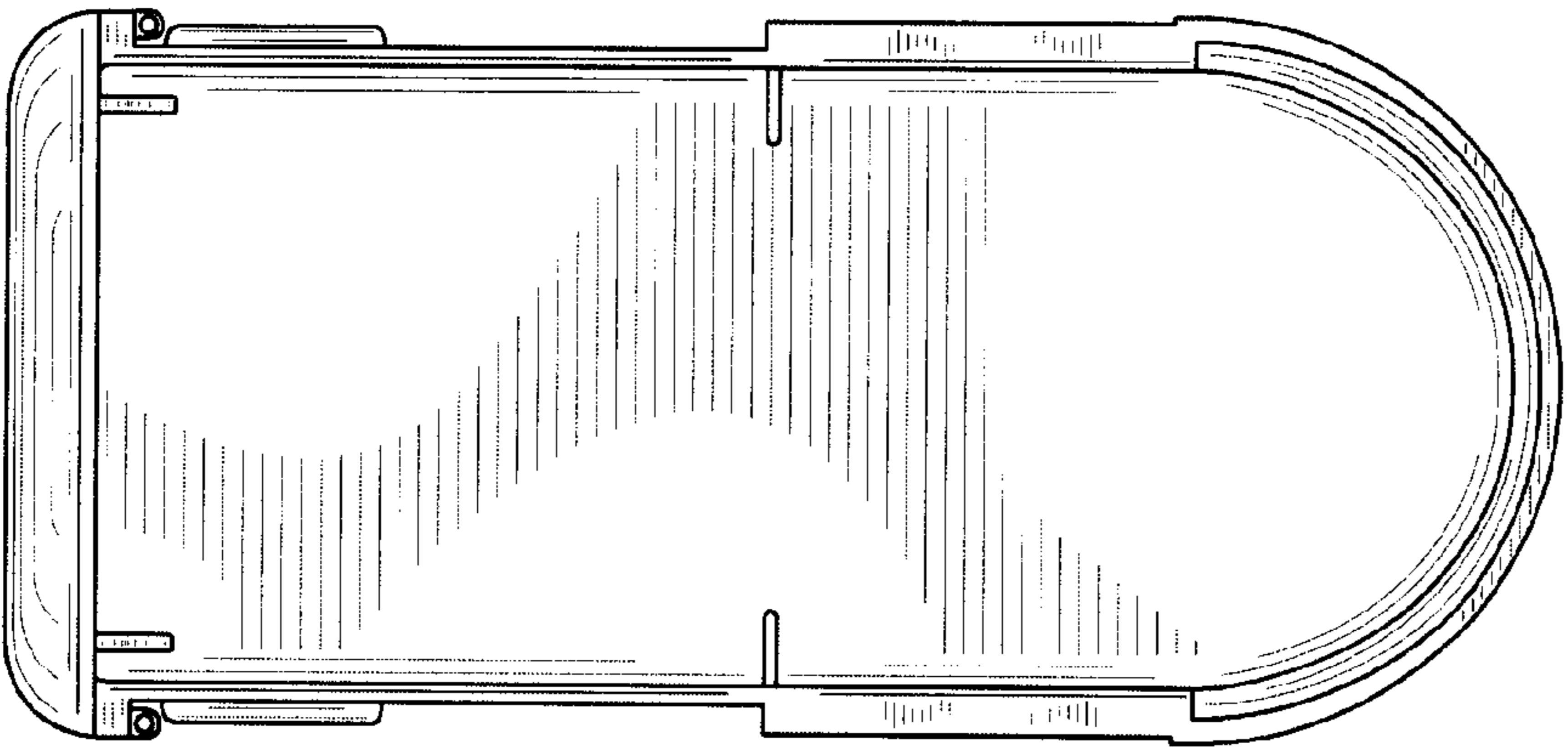


**FIG. 3**

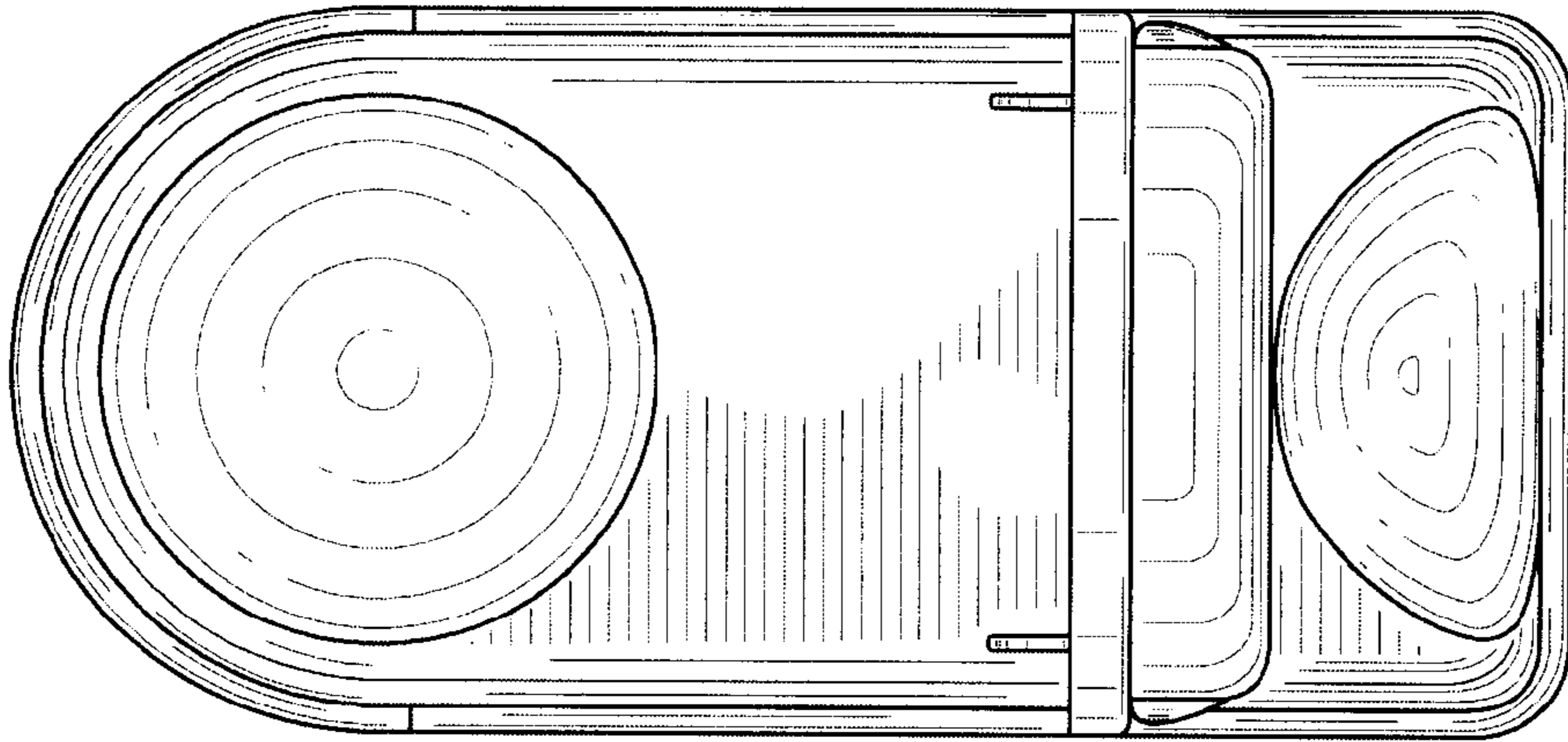




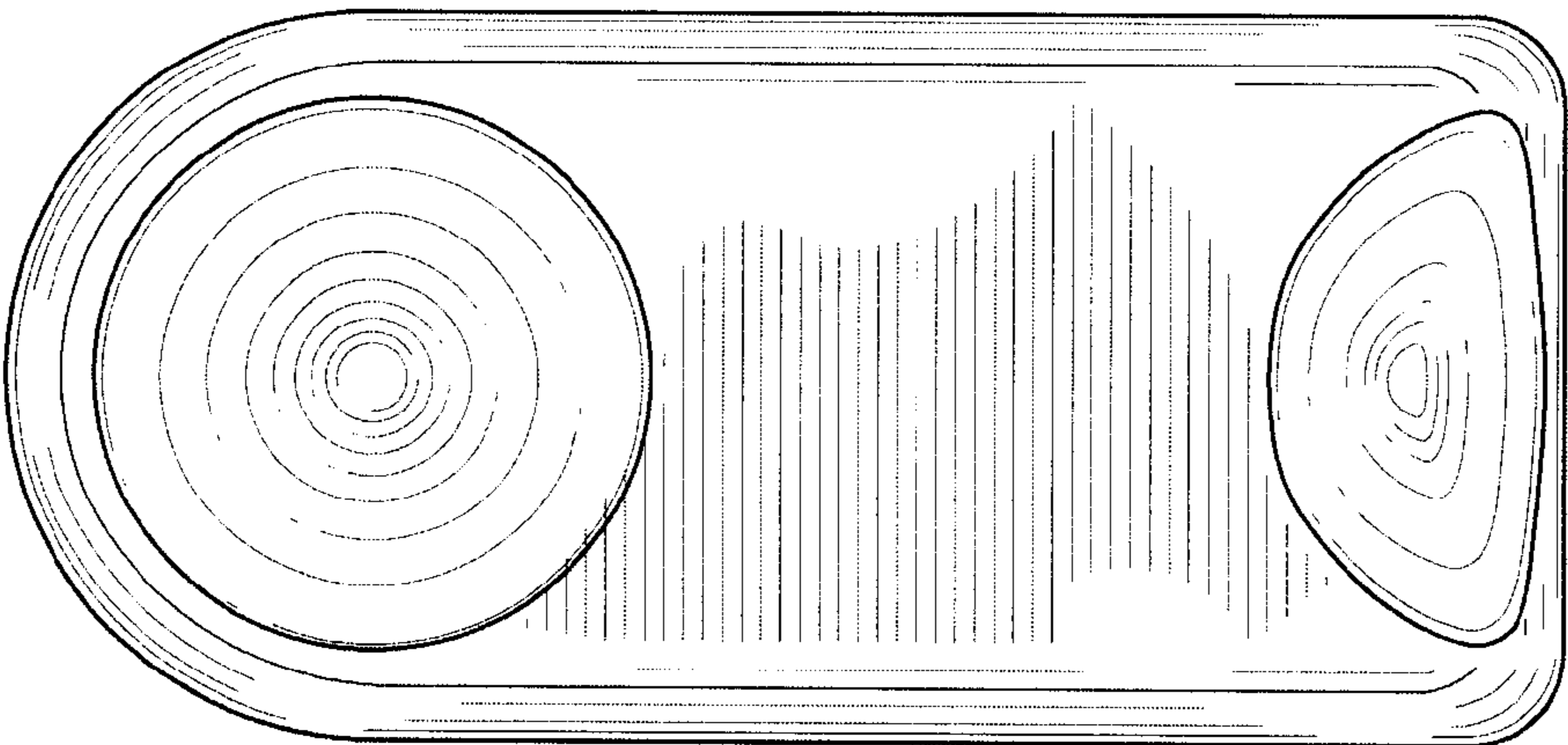
**FIG. 5**



**FIG. 4**



**FIG. 7**



**FIG. 6**