



US00D535183S

(12) **United States Design Patent**
Diaz et al.

(10) **Patent No.:** **US D535,183 S**

(45) **Date of Patent:** **** Jan. 16, 2007**

(54) **WORK TOOL ATTACHMENT COUPLER
FOR A MACHINE**

(75) Inventors: **Alberto Diaz**, Apex, NC (US); **Michael
S Sekulich**, Raleigh, NC (US)

(73) Assignee: **Caterpillar Inc**, Peoria, IL (US)

(**) Term: **14 Years**

(21) Appl. No.: **29/228,683**

(22) Filed: **Apr. 27, 2005**

(51) **LOC (8) Cl.** **10-06**

(52) **U.S. Cl.** **D8/401**

(58) **Field of Classification Search** D15/32,
D15/29; 414/723; 37/468; 403/322.4, 326;
74/571.1

See application file for complete search history.

(56) **References Cited**

U.S. PATENT DOCUMENTS

4,204,794	A	*	5/1980	Aoshiba	414/723
D274,251	S		6/1984	Hustveit		
4,480,955	A		11/1984	Andrews et al.		
4,663,866	A		5/1987	Karlsson et al.		
4,963,071	A	*	10/1990	Larwin et al.	414/723
5,088,882	A		2/1992	Lovitt, Jr.		
5,107,610	A		4/1992	Fusco		
5,147,173	A		9/1992	Fauber et al.		

5,301,972	A	*	4/1994	Lee	280/278
5,382,110	A		1/1995	Perotto et al.		
5,494,396	A		2/1996	Geier et al.		
5,549,440	A	*	8/1996	Cholakon et al.	414/723
6,074,120	A	*	6/2000	Williams	403/326
6,108,951	A	*	8/2000	Renfrow et al.	37/468
6,350,079	B1	*	2/2002	Williams	403/326
6,662,681	B1	*	12/2003	Crane et al.	74/571.1
6,691,438	B1	*	2/2004	Fatemi	37/468

* cited by examiner

Primary Examiner—Alan P. Douglas

Assistant Examiner—Barbara Fox

(74) *Attorney, Agent, or Firm*—Michael L. Woods

(57) **CLAIM**

The ornamental design for a work tool attachment coupler for a machine, as shown.

DESCRIPTION

FIG. 1 is a left perspective view of a work tool attachment coupler for a machine, showing my new design; FIG. 2 is a right perspective view thereof; FIG. 3 is a front view thereof; FIG. 4 is a rear view thereof; FIG. 5 is a top view thereof; FIG. 6 is a bottom view thereof; FIG. 7 is a right side view thereof; and, FIG. 8 is a left side view thereof.

1 Claim, 7 Drawing Sheets

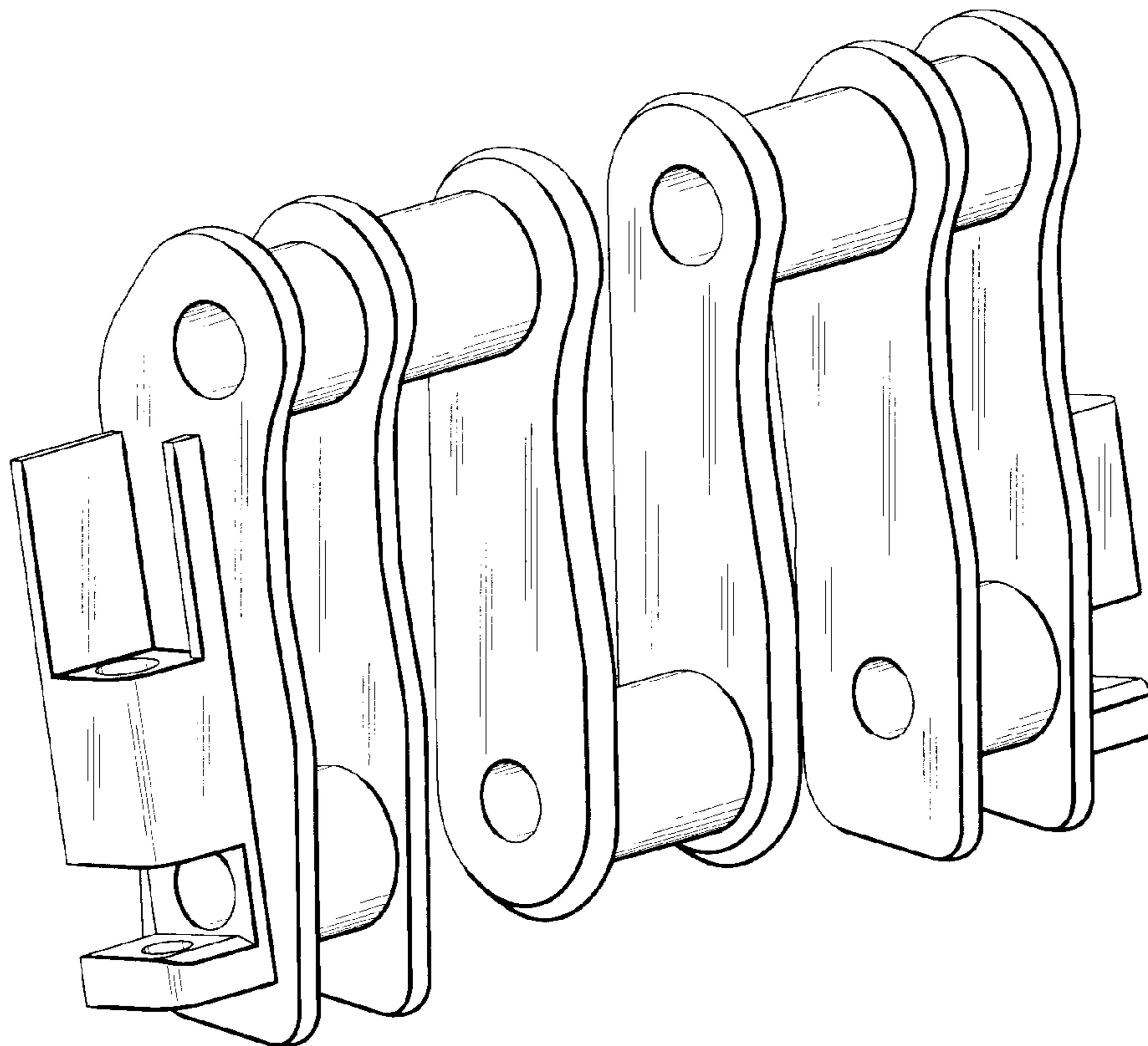


FIG. 1

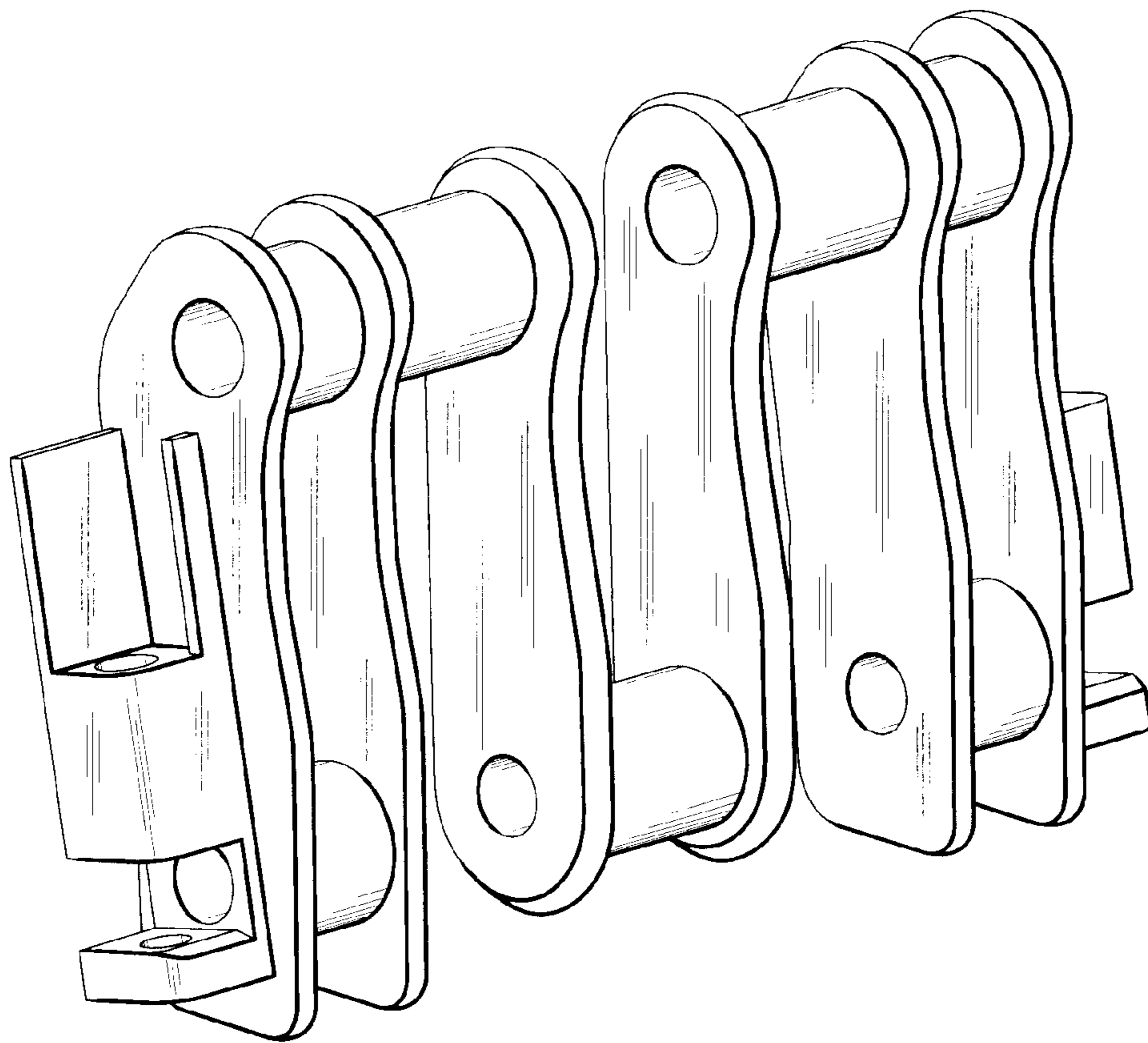


FIG. 2.

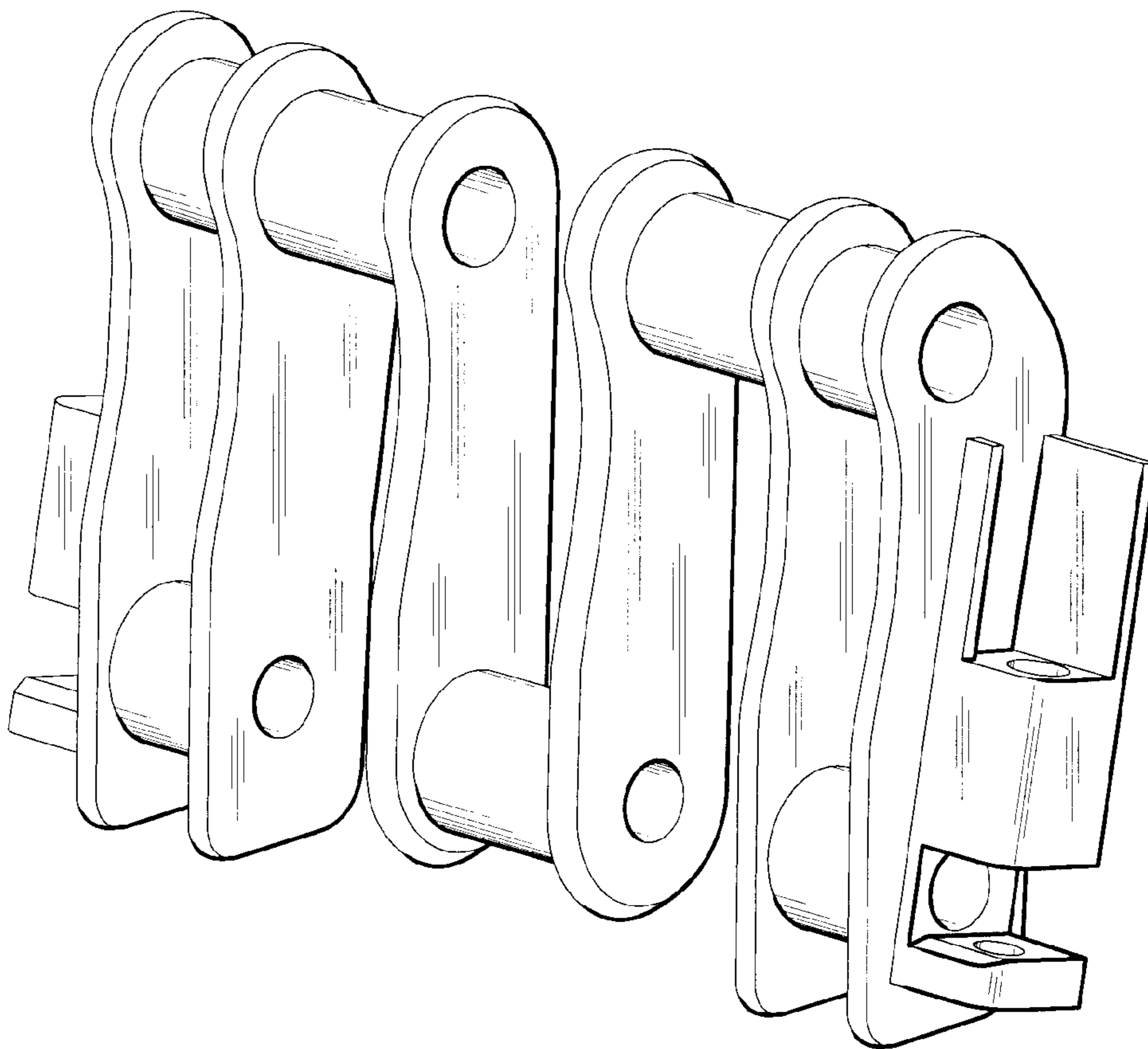


FIG. 3.

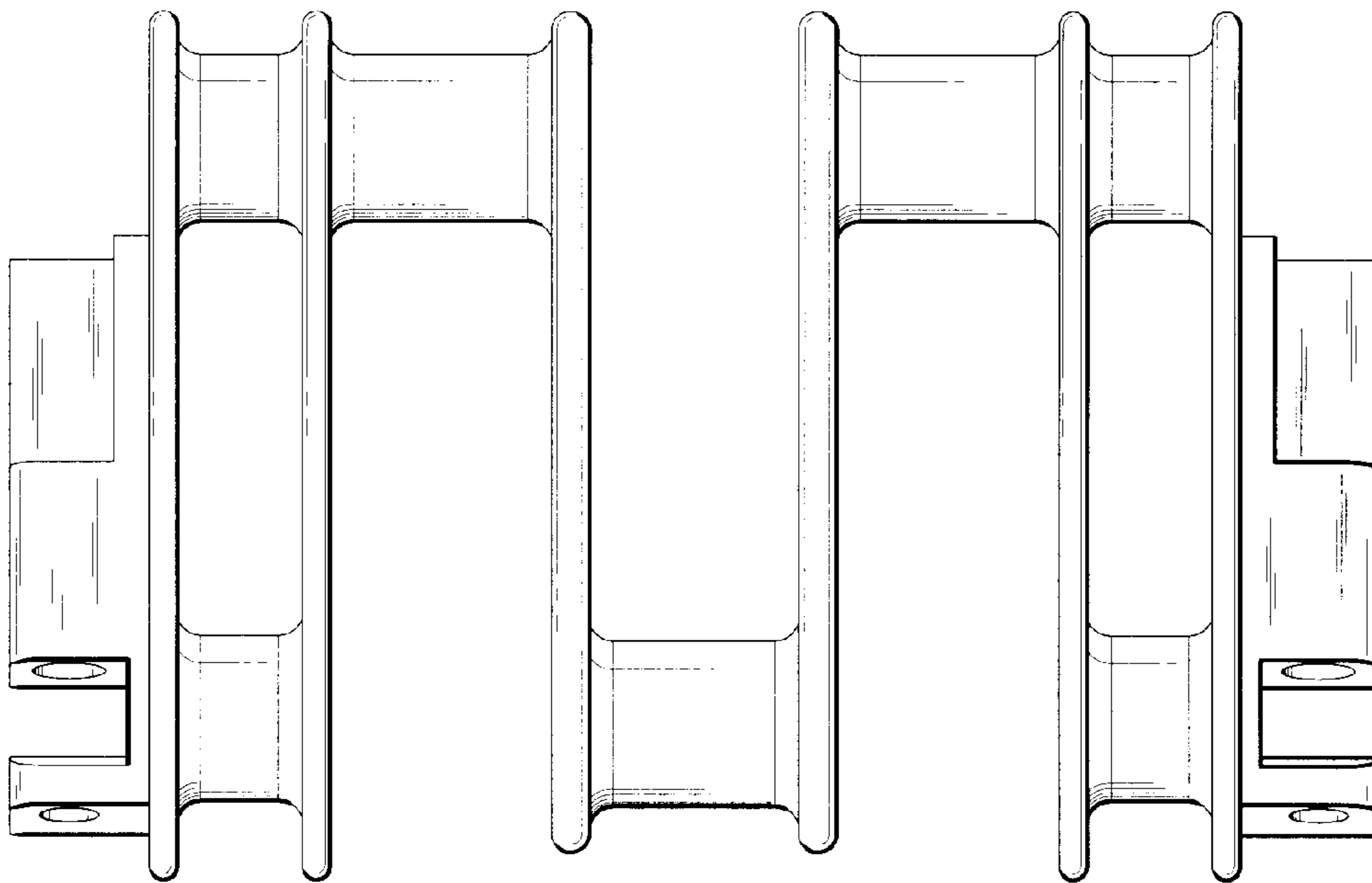


FIG - 4 -

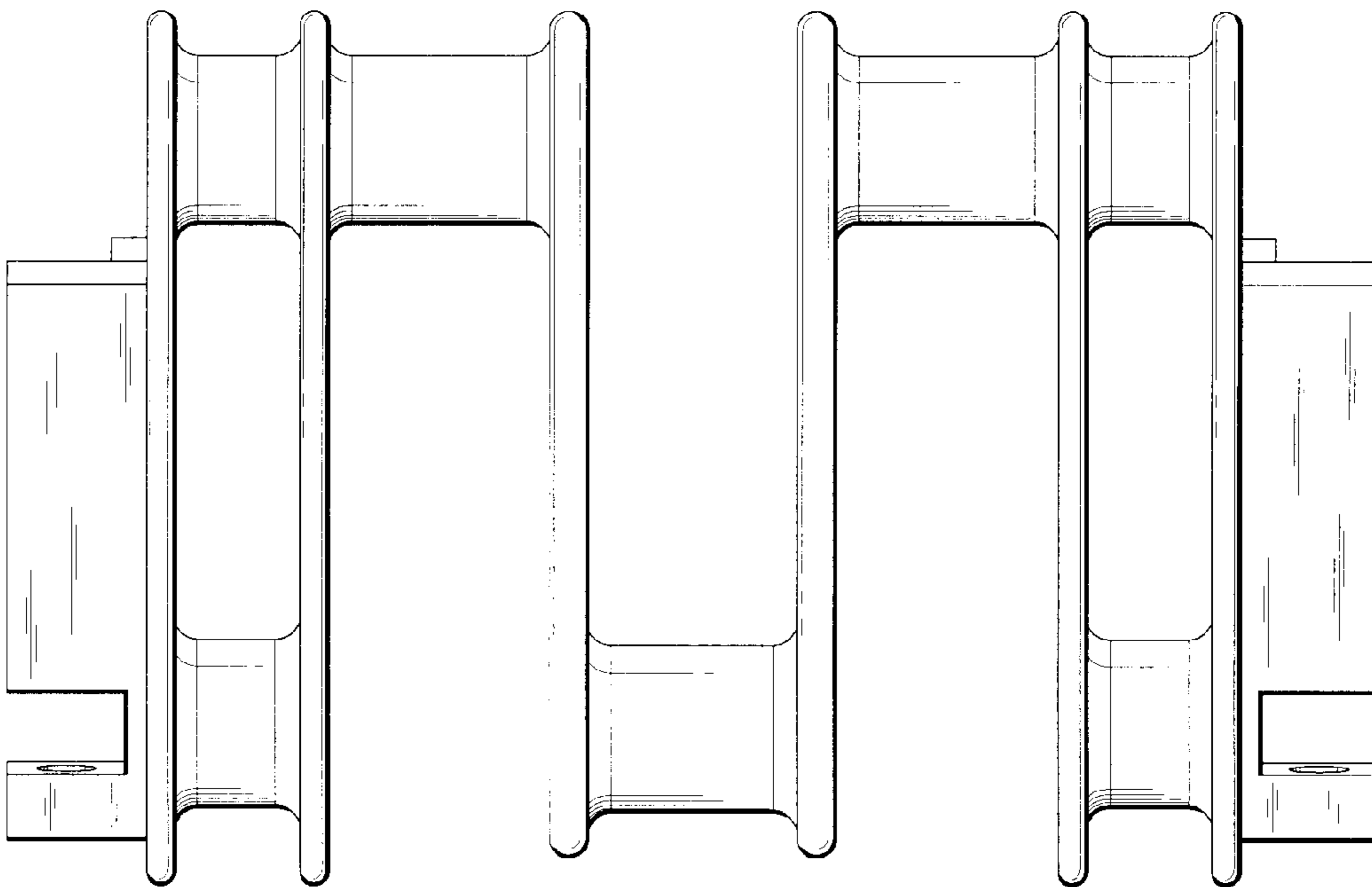


FIG. 5.

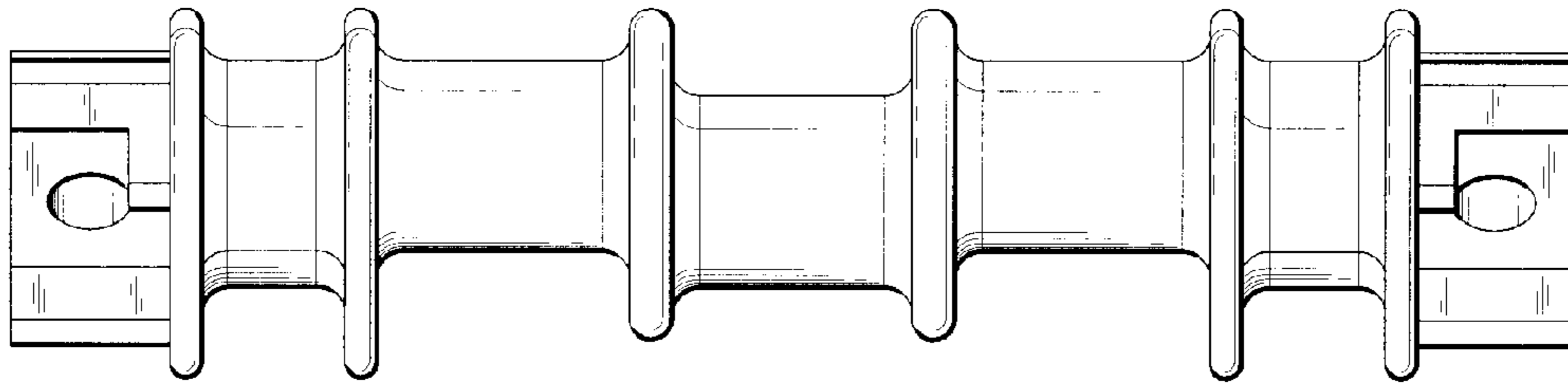


FIG. 6.

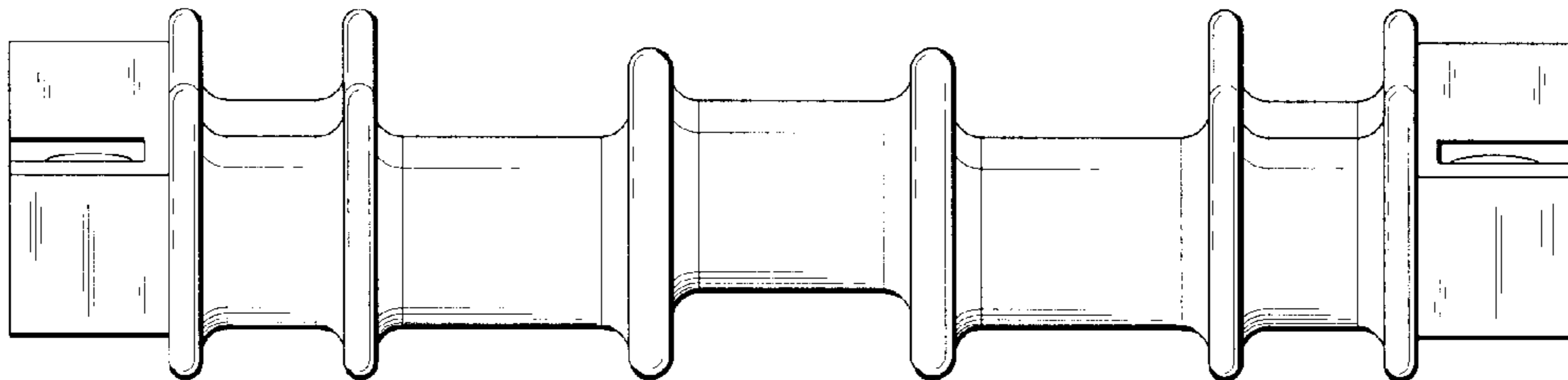


FIG. 7.

