



US00D535180S

(12) **United States Design Patent**
Tibbenham et al.

(10) **Patent No.:** **US D535,180 S**
(45) **Date of Patent:** **** Jan. 16, 2007**

- (54) **INSERT STUD FOR MOLDED PLASTIC COMPONENTS**
- (75) Inventors: **Patricia Tibbenham**, West Bloomfield, MI (US); **David Dean**, Commerce Township, MI (US); **Wieslaw Zaydel**, Rochester, MI (US); **Michelle Winowski-Zaydel**, Oxford, MI (US)

5,674,037 A	10/1997	Lu	
5,713,705 A	2/1998	Grunbichler	
6,302,632 B1	10/2001	Lin	
D451,789 S	* 12/2001	Hsieh D8/382
D456,699 S	* 5/2002	Nakanishi D8/382
D471,084 S	* 3/2003	Nemoto D8/382
D477,771 S	* 7/2003	Nemoto D8/382
6,682,283 B1	1/2004	Mann	
D486,060 S	* 2/2004	Lanz D8/382

(73) Assignee: **Ford Global Technologies, LLC**, Dearborn, MI (US)

* cited by examiner

(**) Term: **14 Years**

Primary Examiner—Holly H. Baynham

Assistant Examiner—Cynthia M. Chin

(21) Appl. No.: **29/215,913**

(74) *Attorney, Agent, or Firm*—Ford Global Technologies LLC

(22) Filed: **Oct. 27, 2004**

(57) **CLAIM**

(51) **LOC (8) Cl.** **08-08**

The ornamental design for a insert stud for molded plastic components, as shown and described.

(52) **U.S. Cl.** **D8/382**

(58) **Field of Classification Search** D8/349, D8/382, 385–388, 391; 411/439–441, 446, 411/448–449, 480, 481, 491

DESCRIPTION

See application file for complete search history.

FIG. 1 is a top plan view of an insert fastener showing my new design;

FIG. 2 is a cross-sectional view of the fastener taken along lines 2—2 of FIG. 1;

FIG. 3 is a bottom plan view of the insert fastener;

FIG. 4 is an elevational view of the insert stud;

FIG. 5 is a top perspective view of the insert fastener; and,

FIG. 6 is a bottom perspective view of the insert fastener.

(56) **References Cited**

U.S. PATENT DOCUMENTS

1,910,182 A	5/1933	Robertson	
2,556,155 A	5/1951	Stellin	
5,358,368 A	10/1994	Conlan	
D374,610 S	* 10/1996	Shimazu D8/382
5,569,008 A	10/1996	Chapkovich	

1 Claim, 3 Drawing Sheets

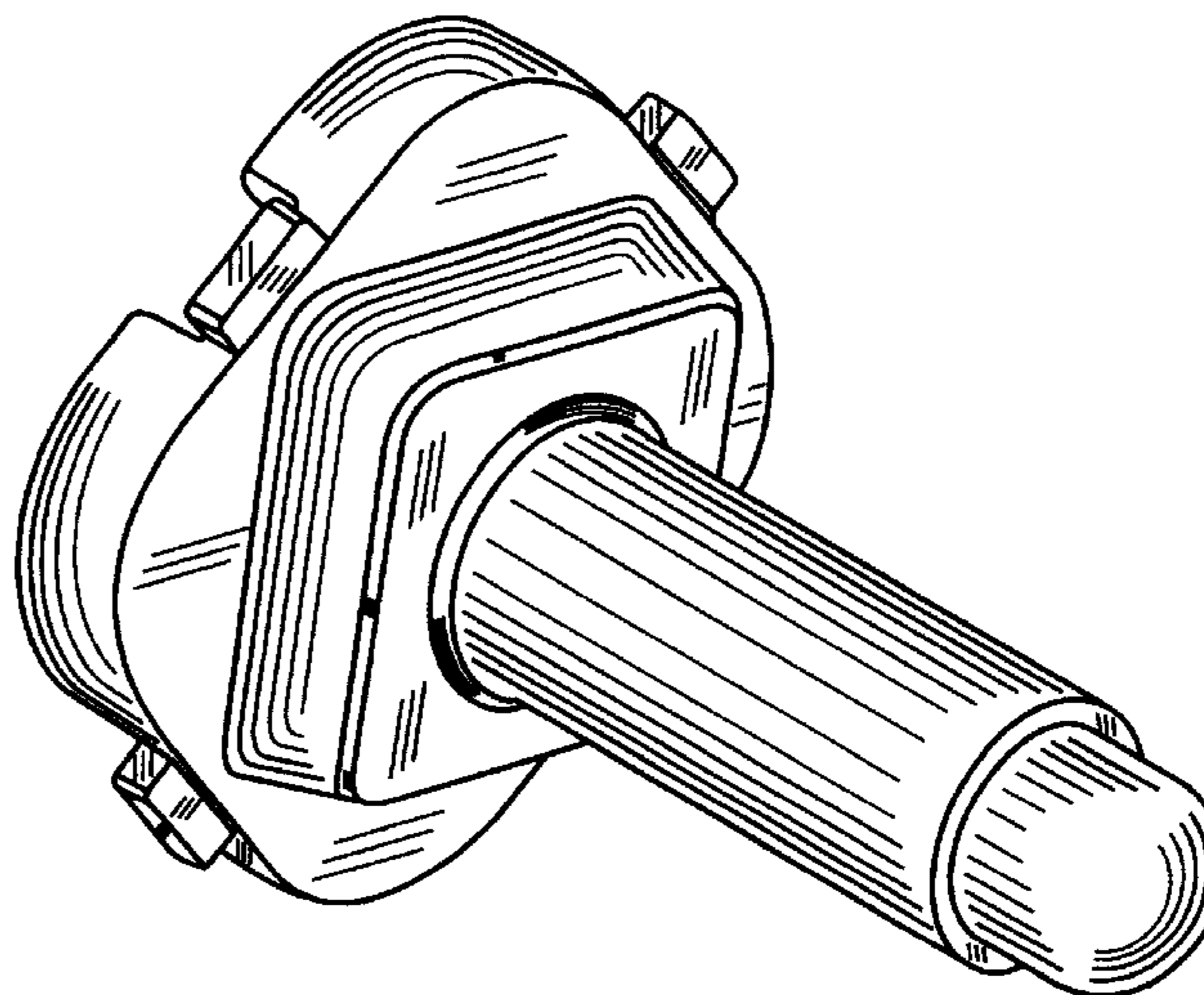
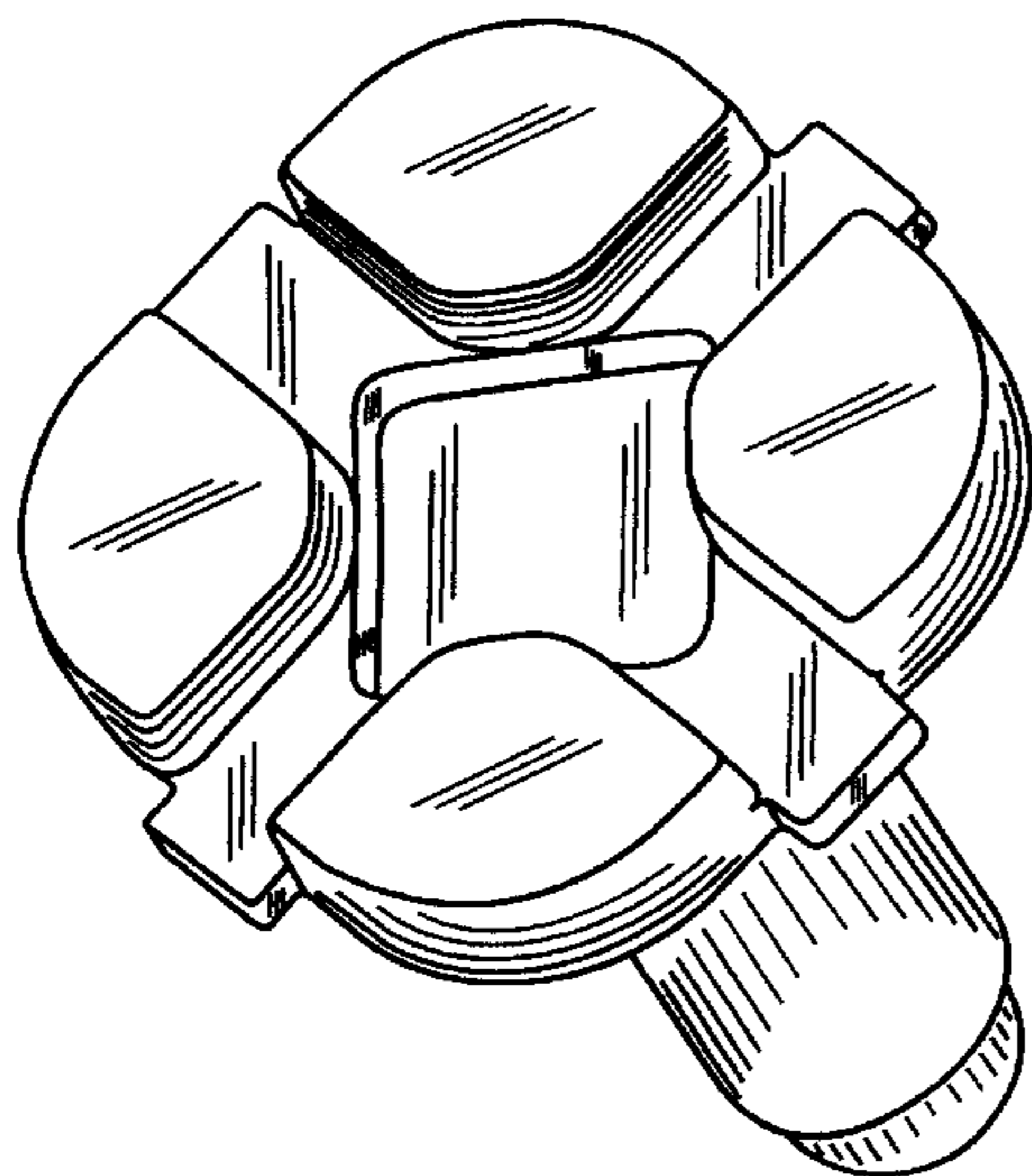


Fig. 1

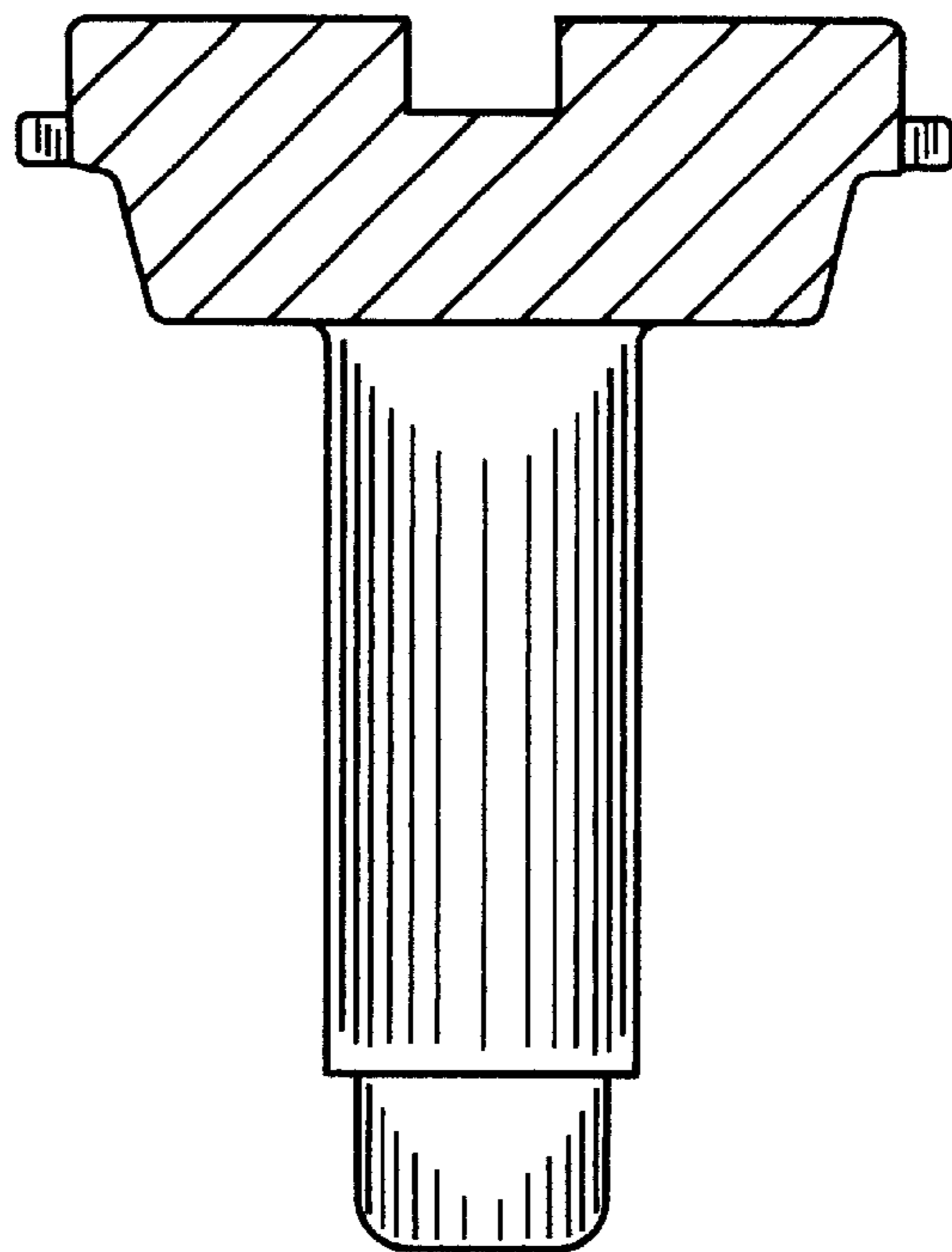
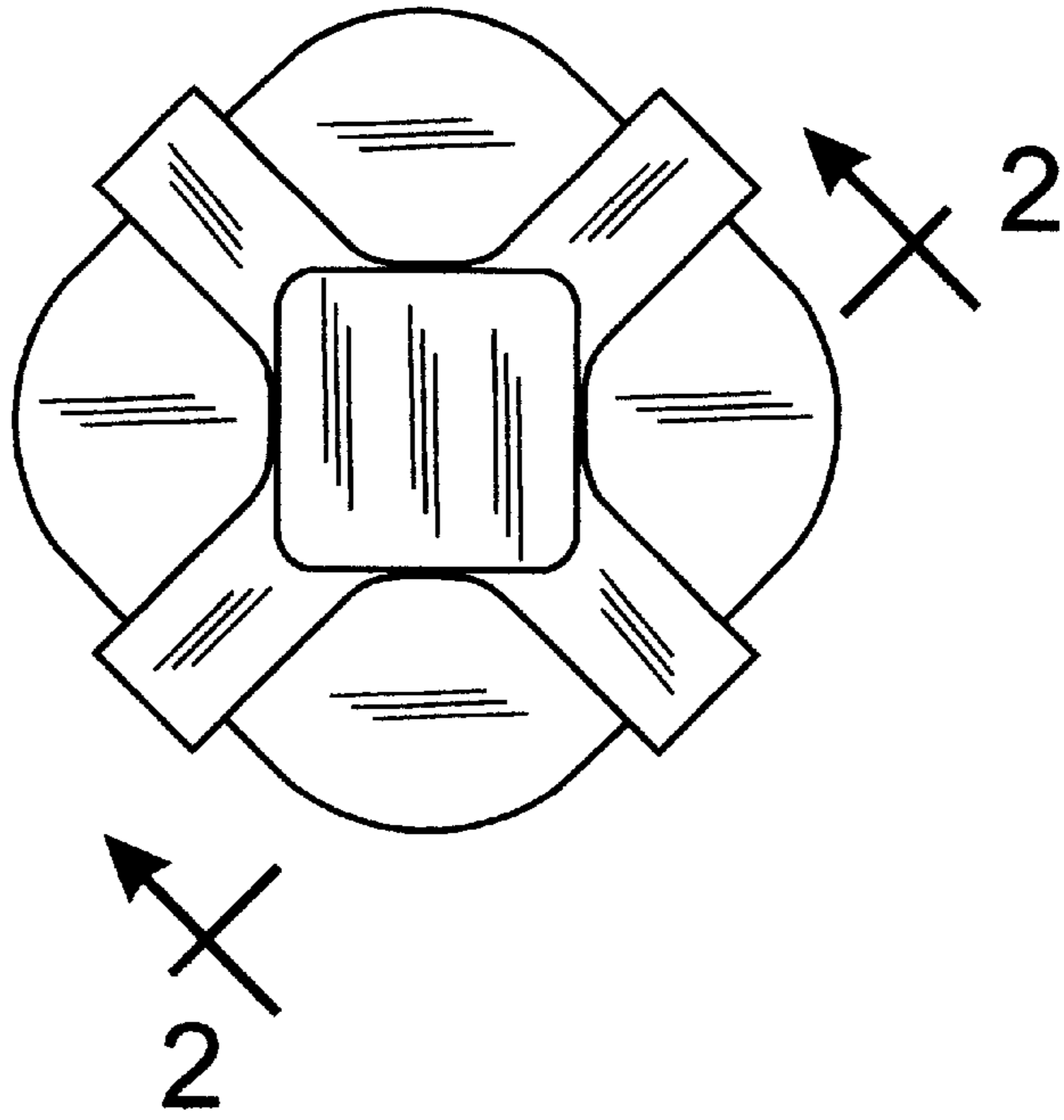


Fig. 2

Fig. 3

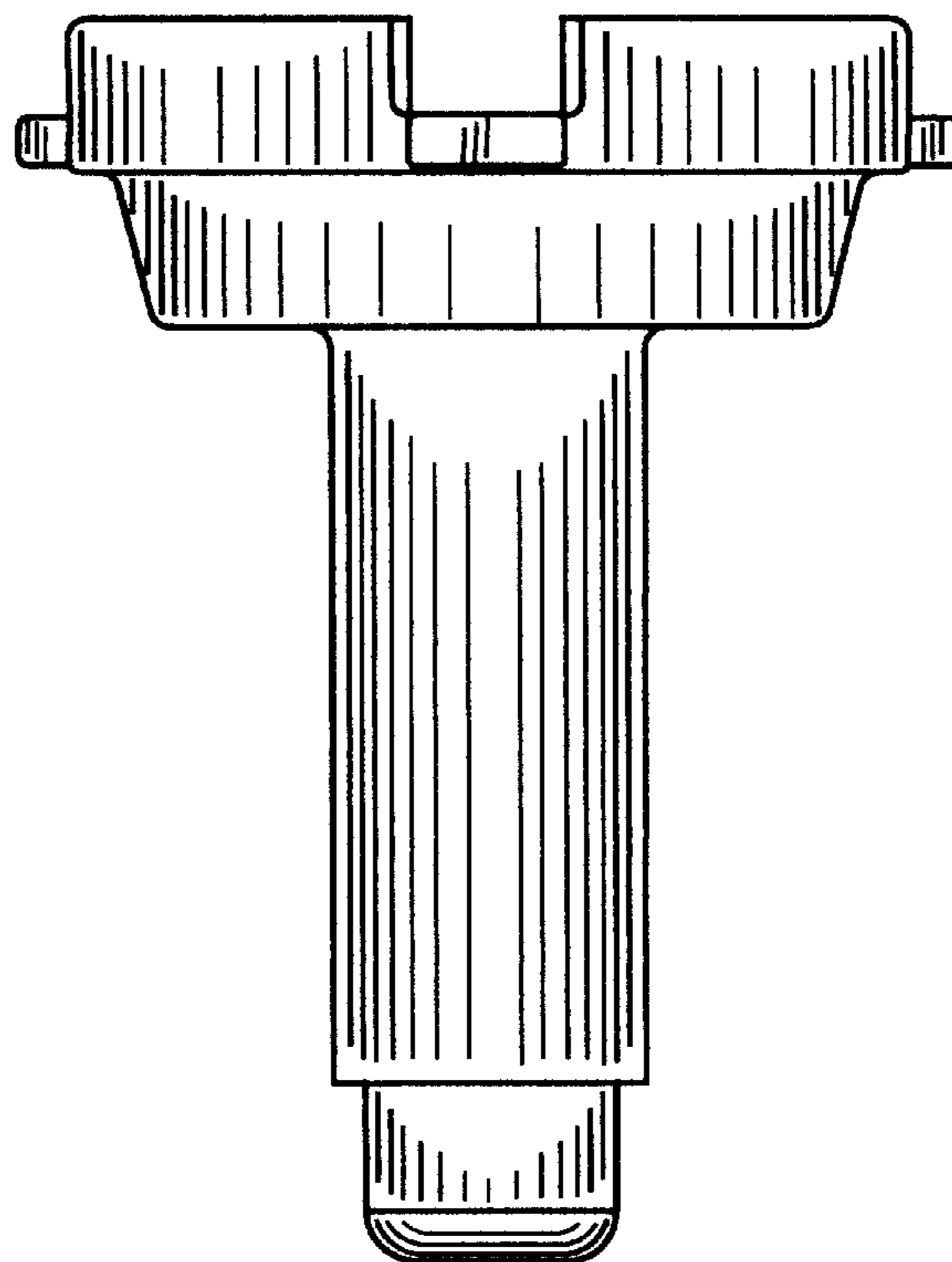
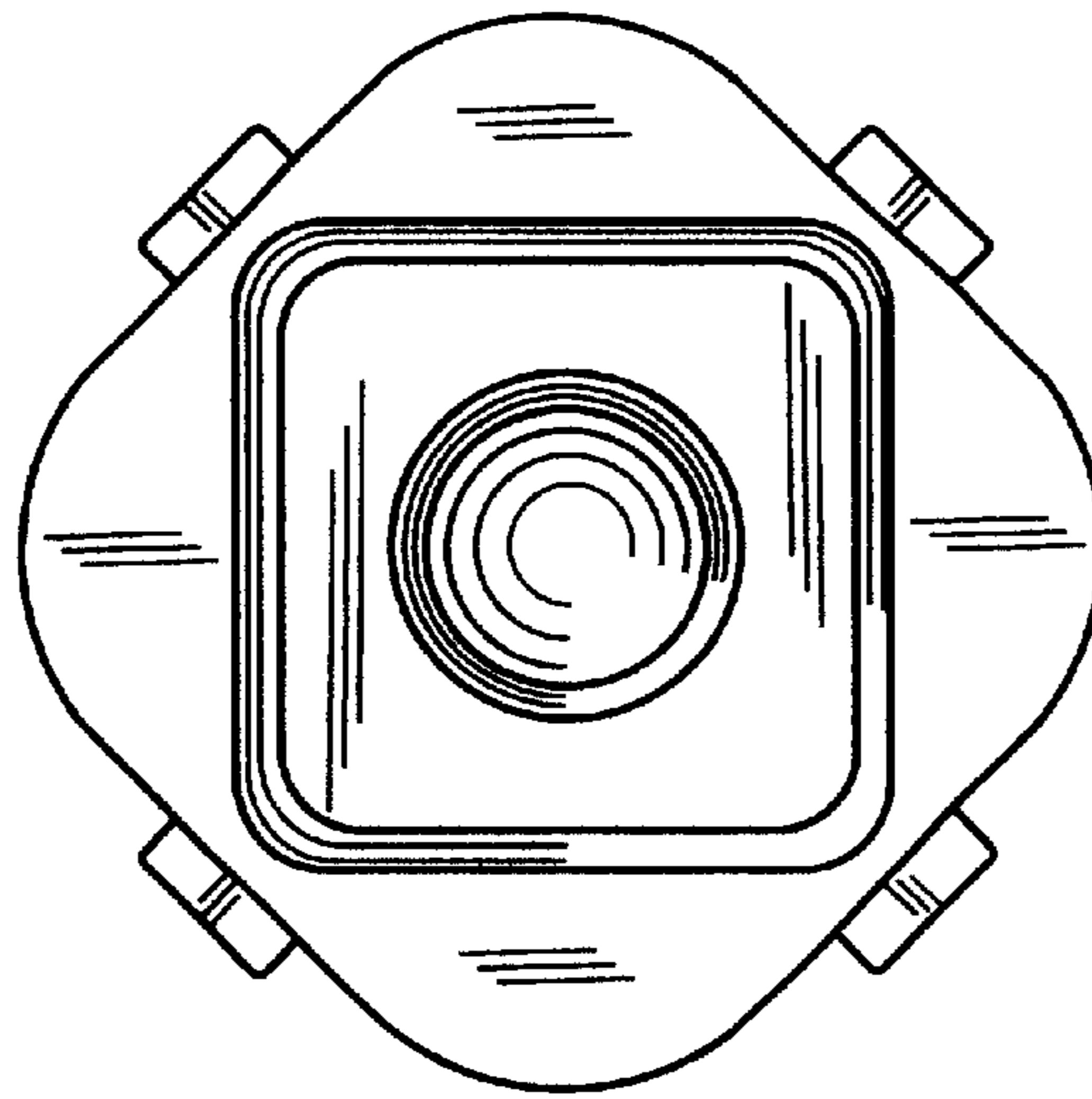


Fig. 4

Fig. 5

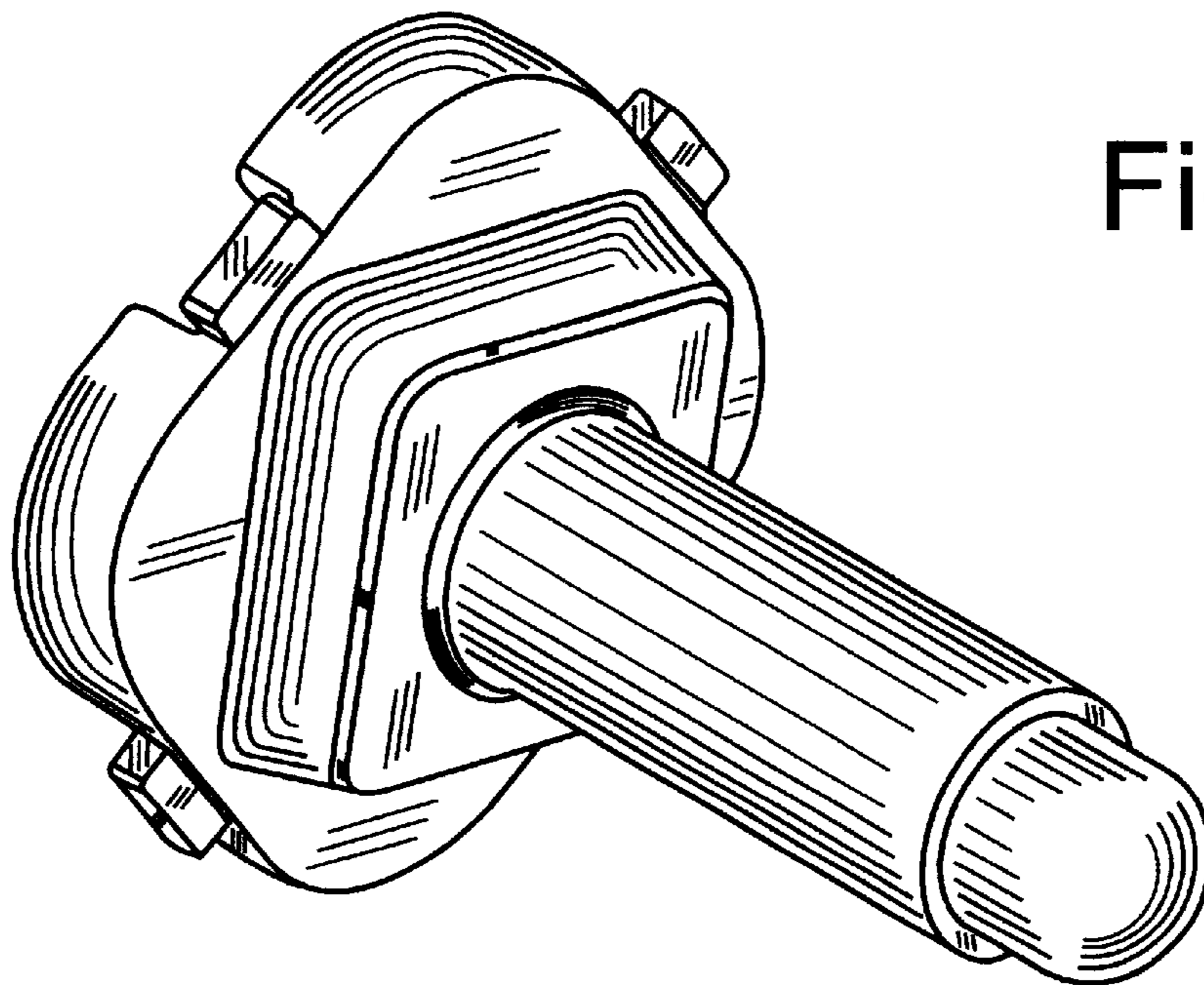
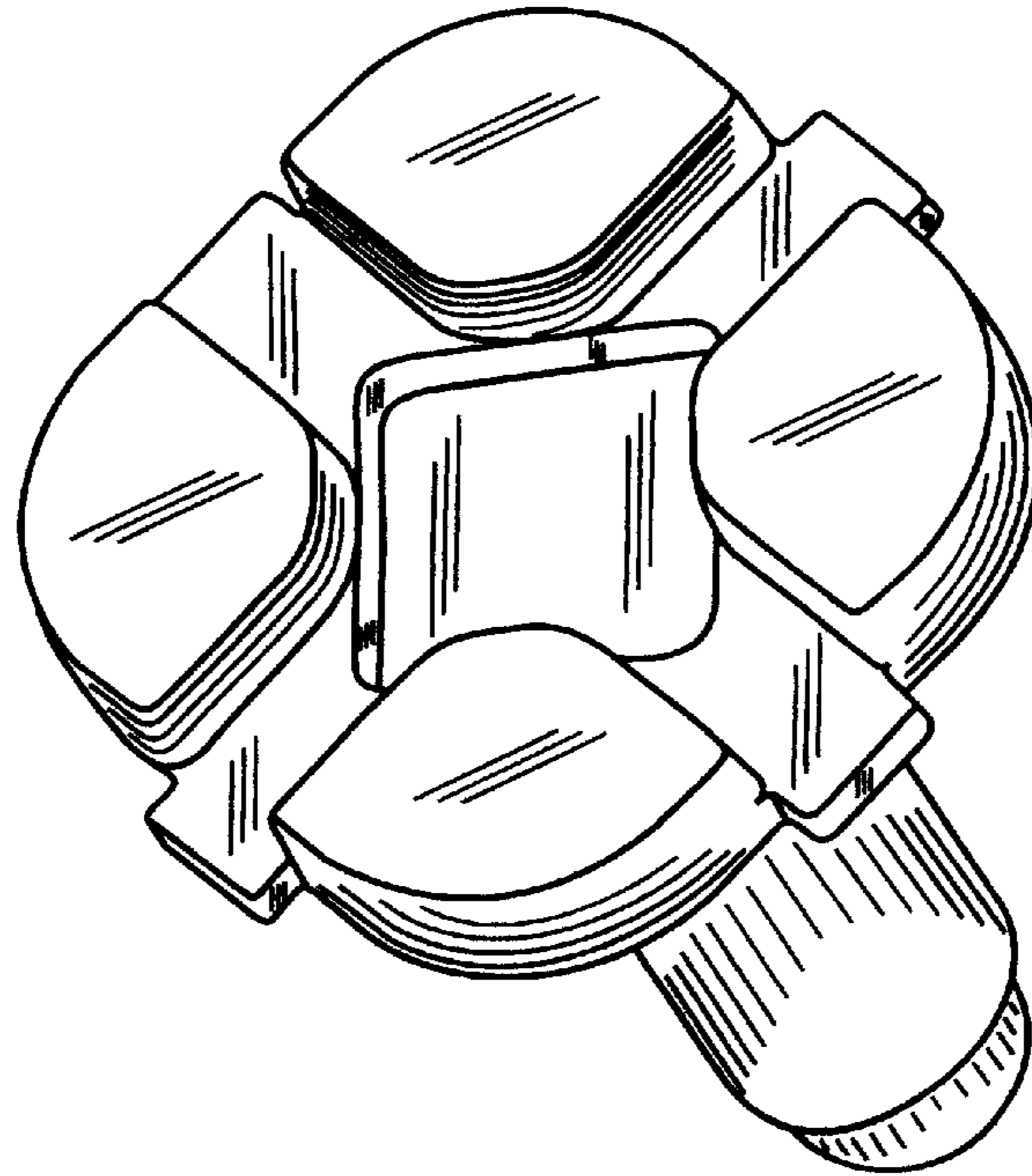


Fig. 6