



US00D535177S

(12) **United States Design Patent**
Hsieh

(10) **Patent No.:** **US D535,177 S**

(45) **Date of Patent:** **** Jan. 16, 2007**

(54) **CABLE LOCK**

(76) **Inventor:** **Hui-Hua Hsieh**, P.O. Box 90, Tainan
City 70499 (TW)

(**) **Term:** **14 Years**

(21) **Appl. No.:** **29/239,421**

(22) **Filed:** **Sep. 30, 2005**

(51) **LOC (8) Cl.** **08-07**

(52) **U.S. Cl.** **D8/333**

(58) **Field of Classification Search** D8/330,
D8/331, 333, 334, 342, 343; 70/14, 20-23,
70/30, 31, 49, 50-52, 58, 38 A, 233
See application file for complete search history.

(56) **References Cited**

U.S. PATENT DOCUMENTS

3,841,118	A	*	10/1974	Stone	70/33
3,987,653	A	*	10/1976	Lyon et al.	70/19
D434,965	S	*	12/2000	Ling	D8/333
D435,428	S	*	12/2000	Ling	D8/333
D436,015	S	*	1/2001	Yu	D8/333
D437,769	S	*	2/2001	Yang	D8/335

6,192,720	B1	*	2/2001	Kan	70/49
6,227,016	B1	*	5/2001	Yu	70/30
D450,560	S	*	11/2001	Yu	D8/333
6,389,854	B1	*	5/2002	Huang	70/58
D460,341	S	*	7/2002	Ling	D8/330
6,609,399	B1	*	8/2003	Daniels, Jr.	70/49

* cited by examiner

Primary Examiner—Prabhakar Deshmukh

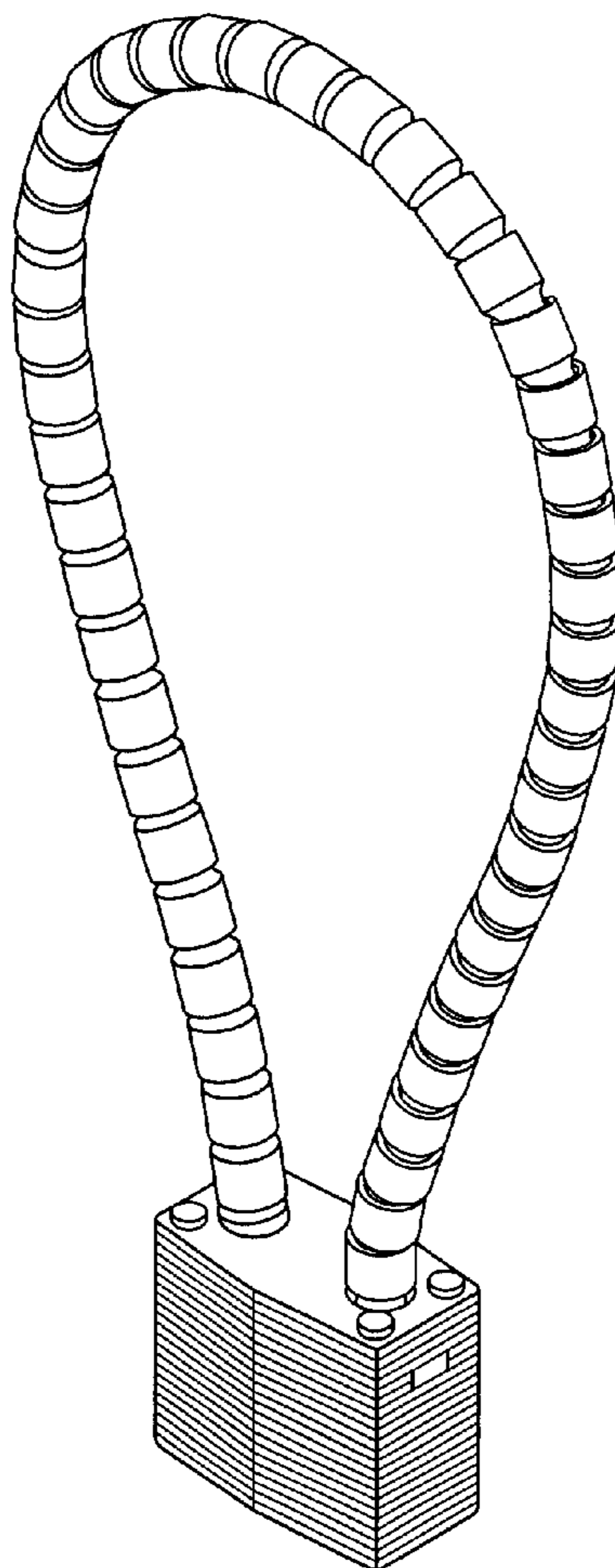
(57) **CLAIM**

The ornamental design for a cable lock, as shown as described.

DESCRIPTION

FIG. 1 is a perspective view of a cable lock showing my design;
FIG. 2 is a front elevational view thereof;
FIG. 3 is a rear elevational view thereof;
FIG. 4 is a left side elevational view thereof;
FIG. 5 is a right side elevational view thereof;
FIG. 6 is a top plan view thereof; and,
FIG. 7 is a bottom plan view thereof.

1 Claim, 5 Drawing Sheets



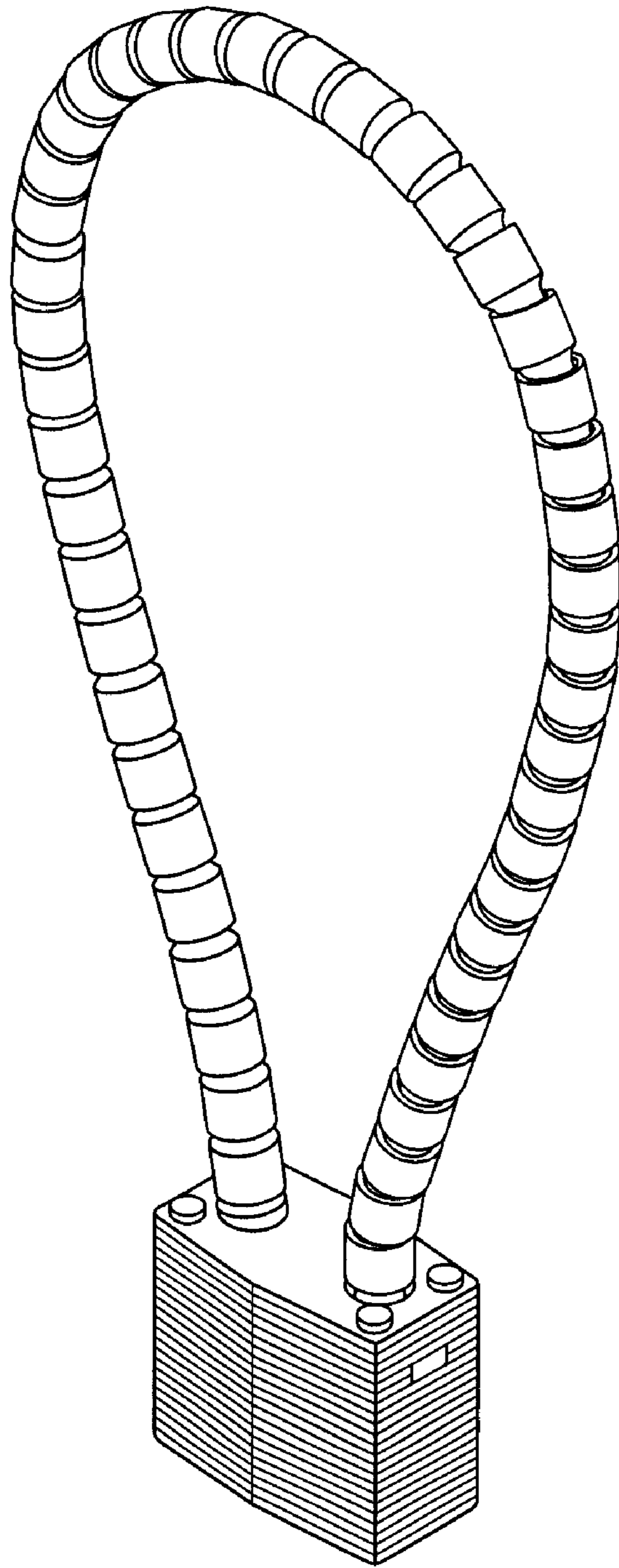


FIG. 1

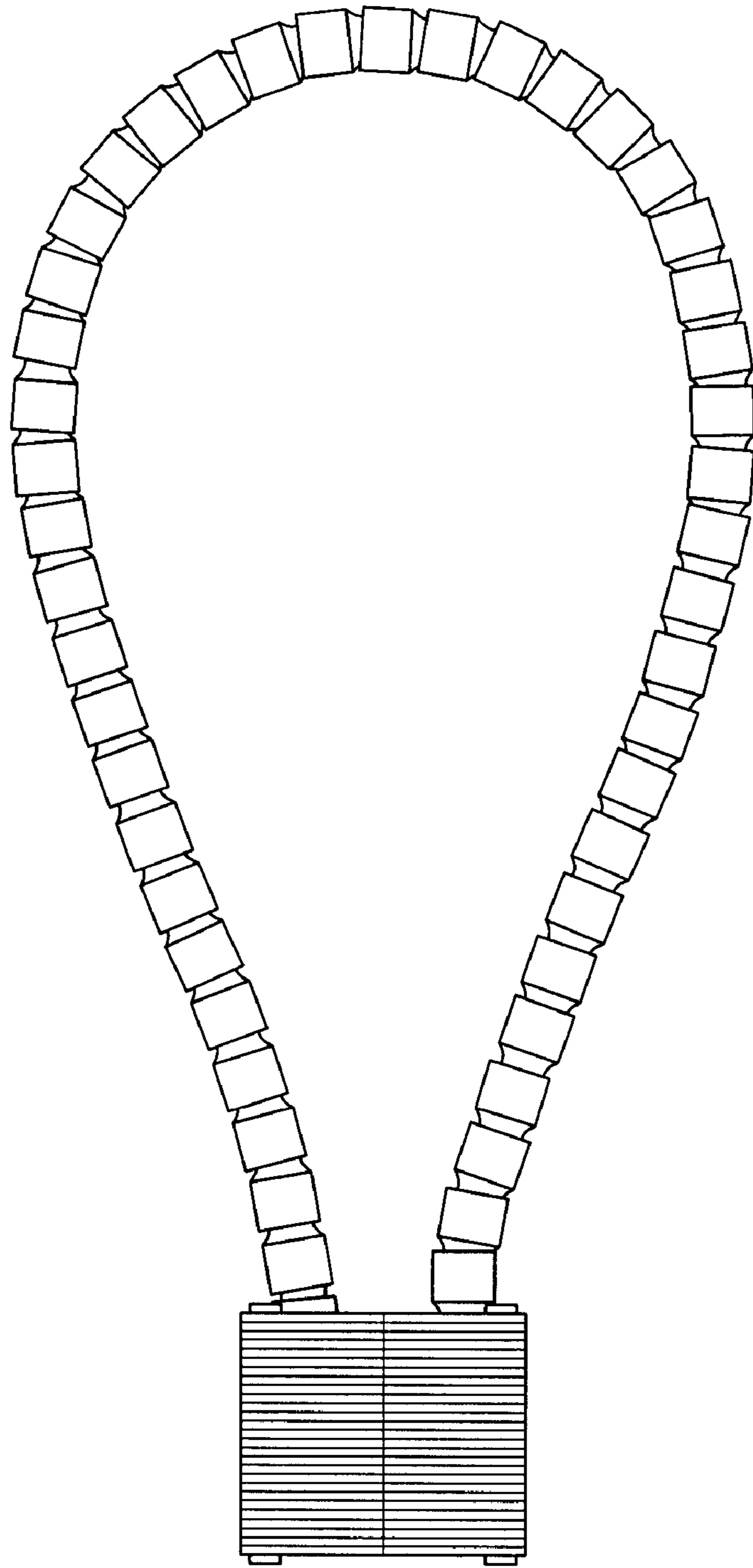


FIG.2

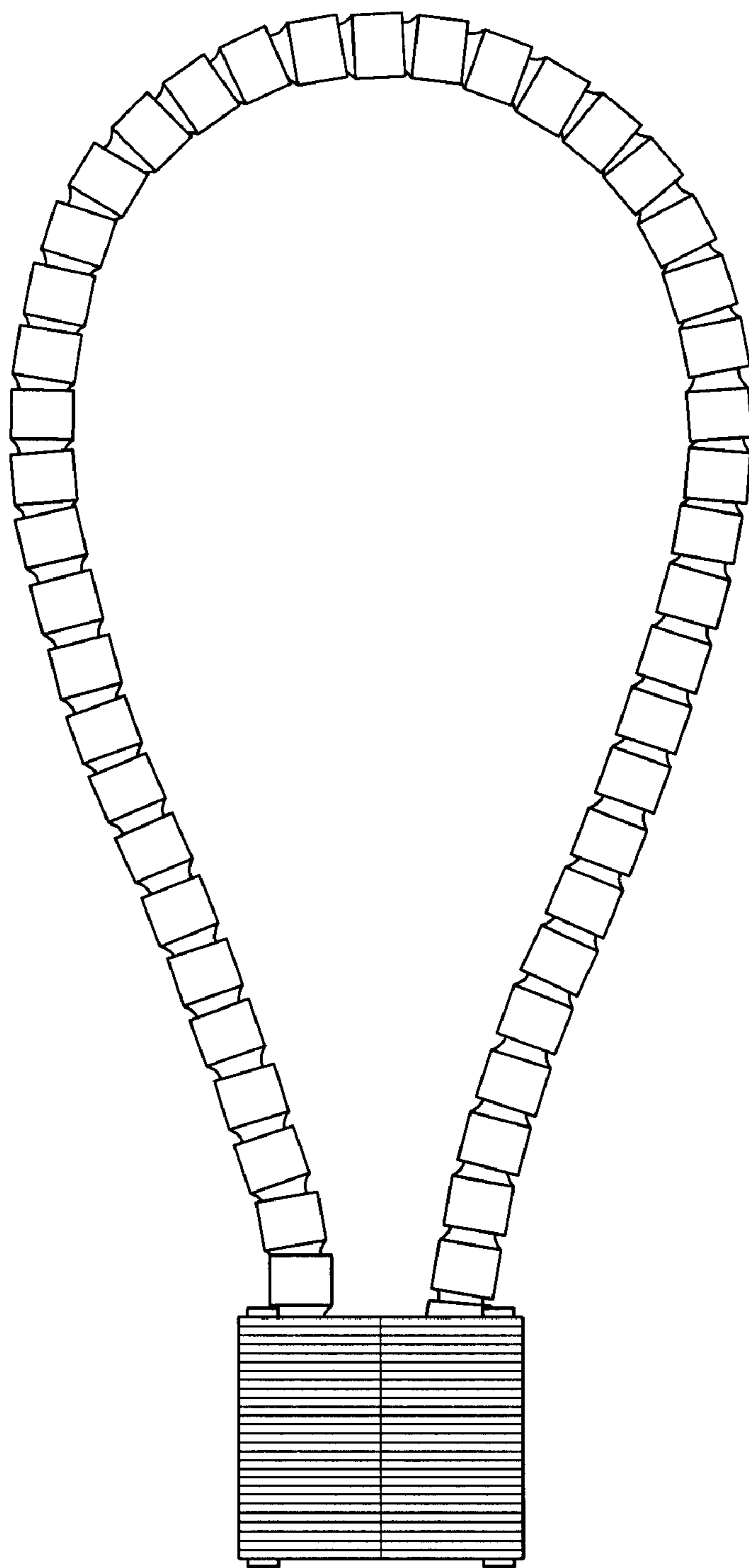


FIG.3

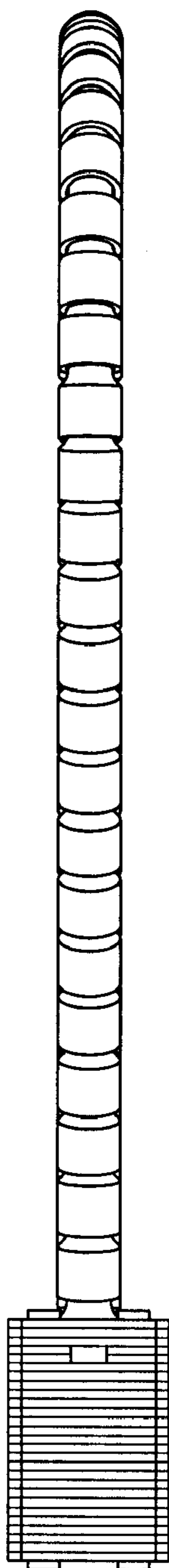


FIG. 4

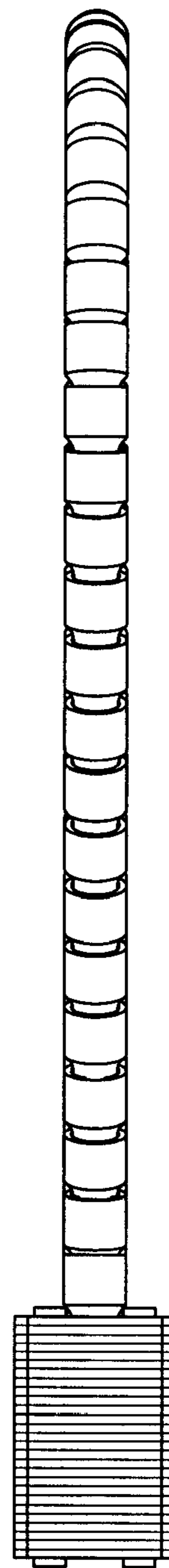


FIG. 5

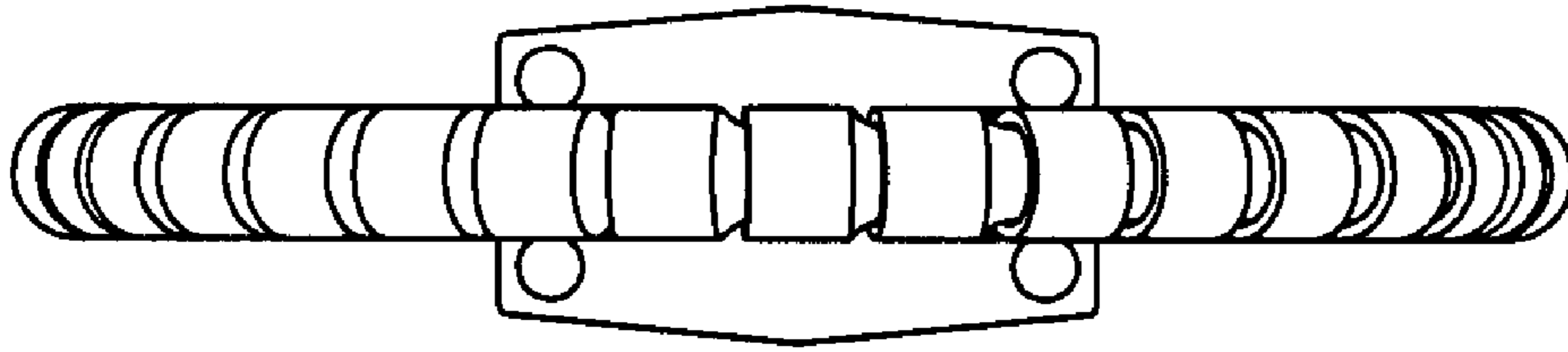


FIG. 6

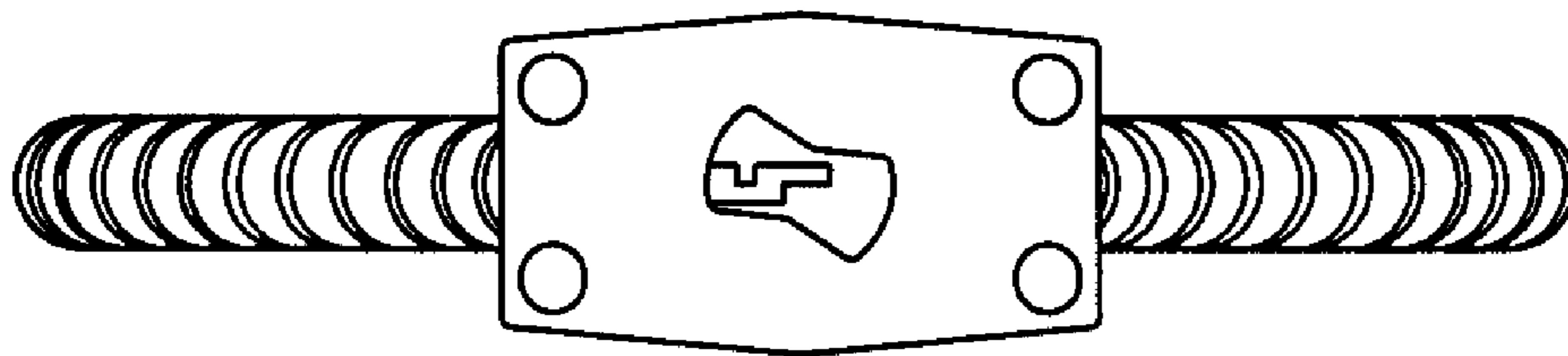


FIG. 7