



US00D535176S

(12) **United States Design Patent**
Joiner et al.

(10) **Patent No.:** **US D535,176 S**
(45) **Date of Patent:** **** Jan. 16, 2007**

(54) **WHEEL LOCKING DEVICE FOR TANDEM WHEEL TRAILER**

(75) Inventors: **Robert Lee Joiner**, Huntington Beach, CA (US); **Kerry Joiner**, Huntington Beach, CA (US)

(73) Assignee: **Tiburon Marketing**, Huntington Beach, CA (US)

(**) Term: **14 Years**

(21) Appl. No.: **29/232,759**

(22) Filed: **Jun. 22, 2005**

(51) **LOC (8) Cl.** **08-07**

(52) **U.S. Cl.** **D8/330; D8/343**

(58) **Field of Classification Search** D8/330, D8/331, 343, 344, 349; 70/259, 260, 14, 70/57.1, 51, 49, 54, 141, 225-228, 19; D12/217; 188/2 R, 32, 74, 77 R, 77 W, 382
See application file for complete search history.

(56) **References Cited**

U.S. PATENT DOCUMENTS

1,843,072	A	*	1/1932	Stone	70/231
2,239,592	A	*	4/1941	Conner	188/125
3,059,728	A	*	10/1962	McKuskie	188/2 R
3,318,419	A	*	5/1967	Chastain	188/32
3,548,975	A	*	12/1970	Herndon	188/74
3,695,394	A	*	10/1972	Carpenter	188/32
4,148,378	A		4/1979	Alford		
4,715,480	A		12/1987	Anderson		
4,828,076	A		5/1989	Fox		

4,913,265	A	*	4/1990	Richards	188/32
4,934,489	A	*	6/1990	Jackson	188/2 R
D347,821	S		6/1994	Few		
5,381,680	A	*	1/1995	Rauch, Jr.	70/226
5,689,981	A	*	11/1997	DeLuca et al.	70/226
5,975,497	A		11/1999	Few et al.		
6,116,062	A	*	9/2000	Markegard et al.	70/19
6,125,672	A	*	10/2000	Diez	70/226
6,375,161	B1		4/2002	Garceau		
6,997,022	B1	*	2/2006	DeMange	70/19
2002/0096402	A1		7/2002	Tallman et al.		

* cited by examiner

Primary Examiner—Prabhakar Deshmukh

(74) *Attorney, Agent, or Firm*—Fulwider Patton LLP

(57) **CLAIM**

The ornamental design for a wheel locking device for tandem wheel trailer, as shown and described.

DESCRIPTION

FIG. 1 is a perspective view showing my new design of a wheel locking device for tandem wheel trailer;
FIG. 2 is a top view thereof;
FIG. 3 is a bottom view thereof;
FIG. 4 is a left hand side view, the right side view being a mirror image thereof;
FIG. 5 is a back view thereof; and,
FIG. 6 is a front view thereof.
The broken lines showing of wheels and lock are for illustrative purpose only and form no part of the claimed design.

1 Claim, 2 Drawing Sheets

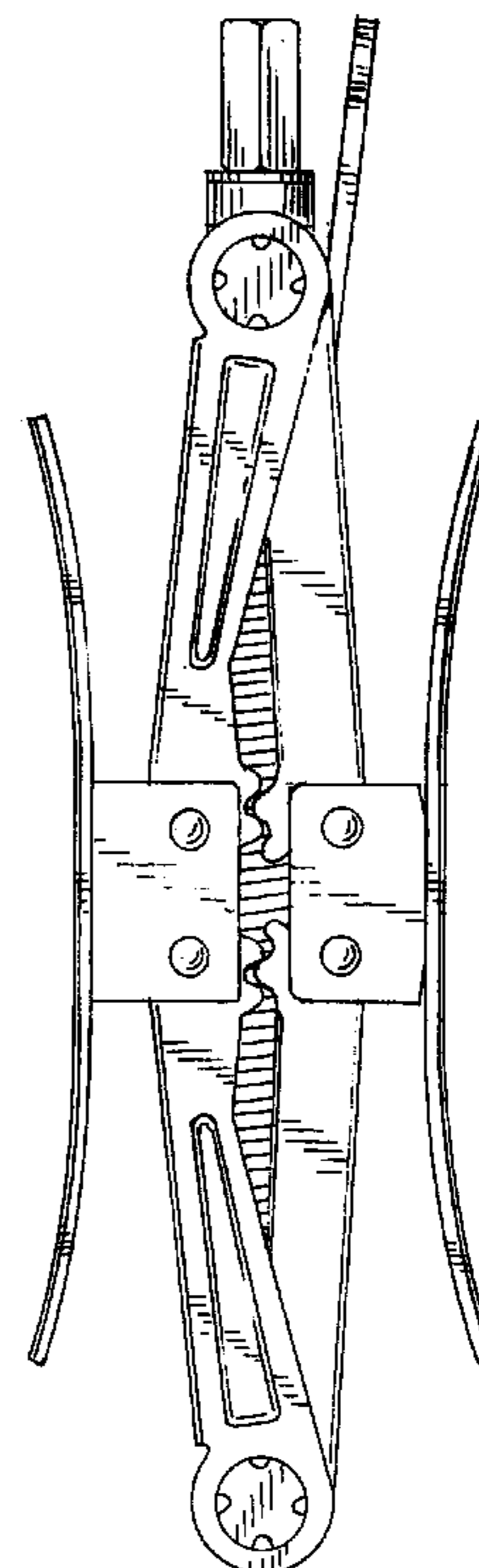
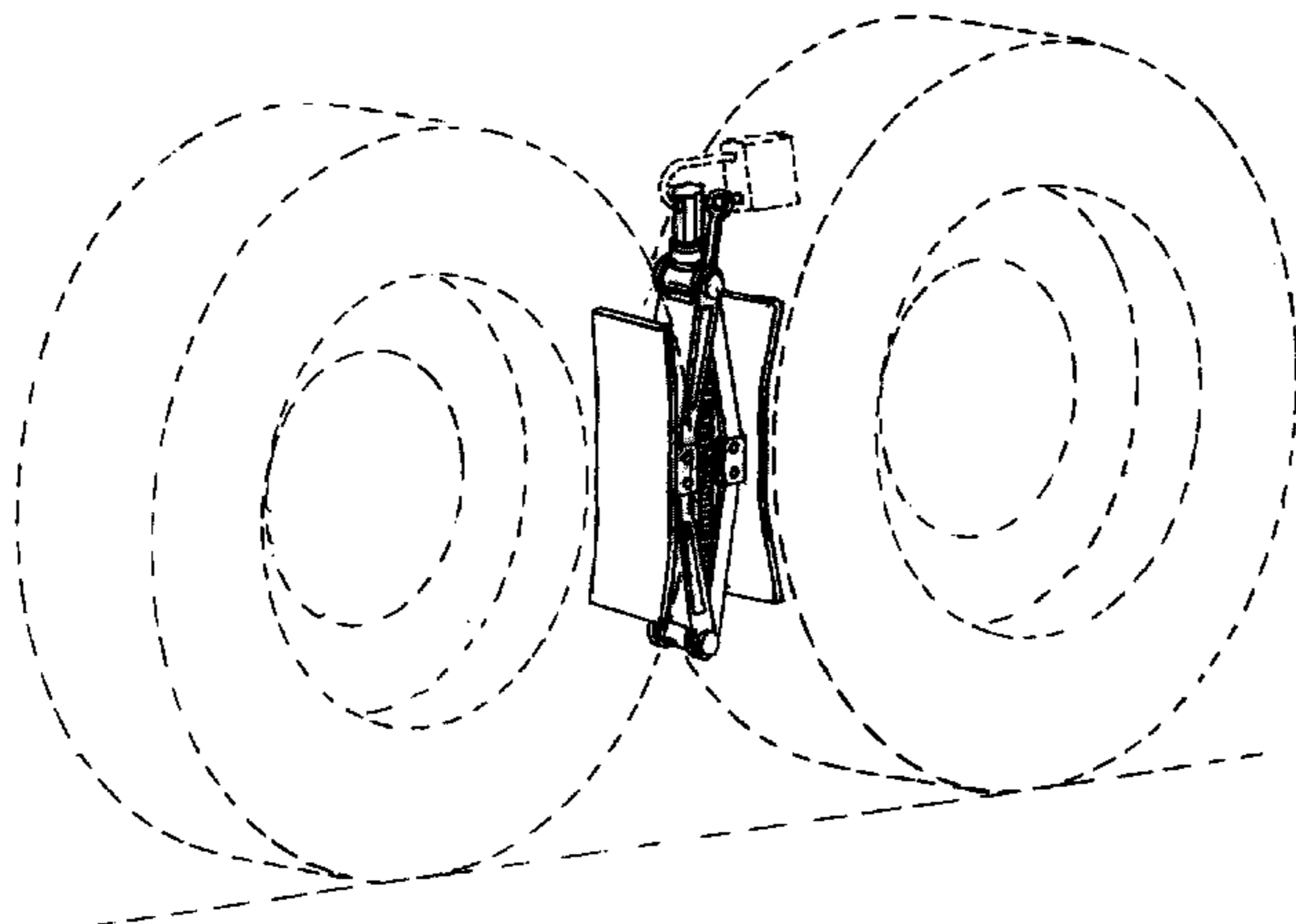


FIG. 1

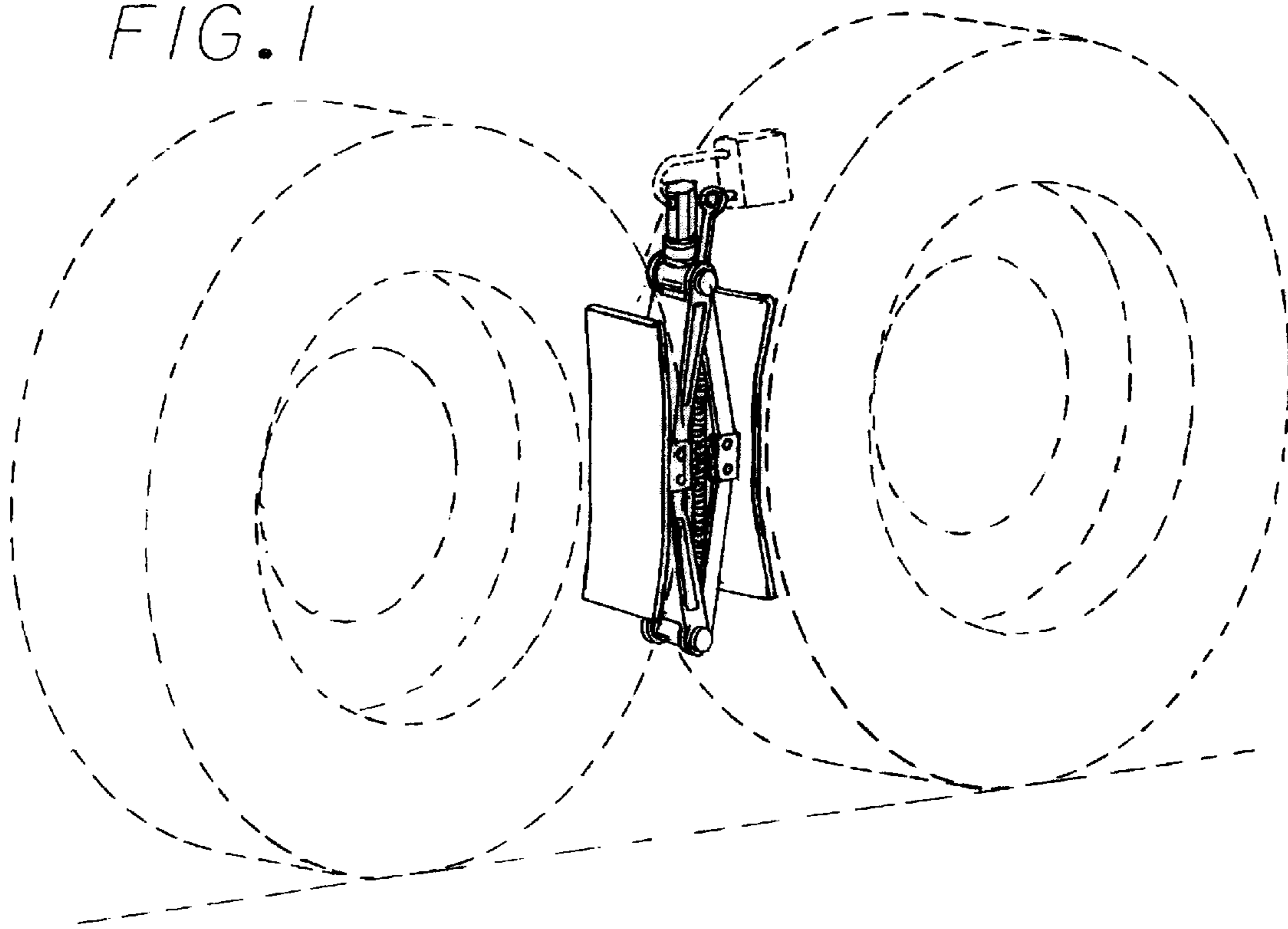


FIG. 2

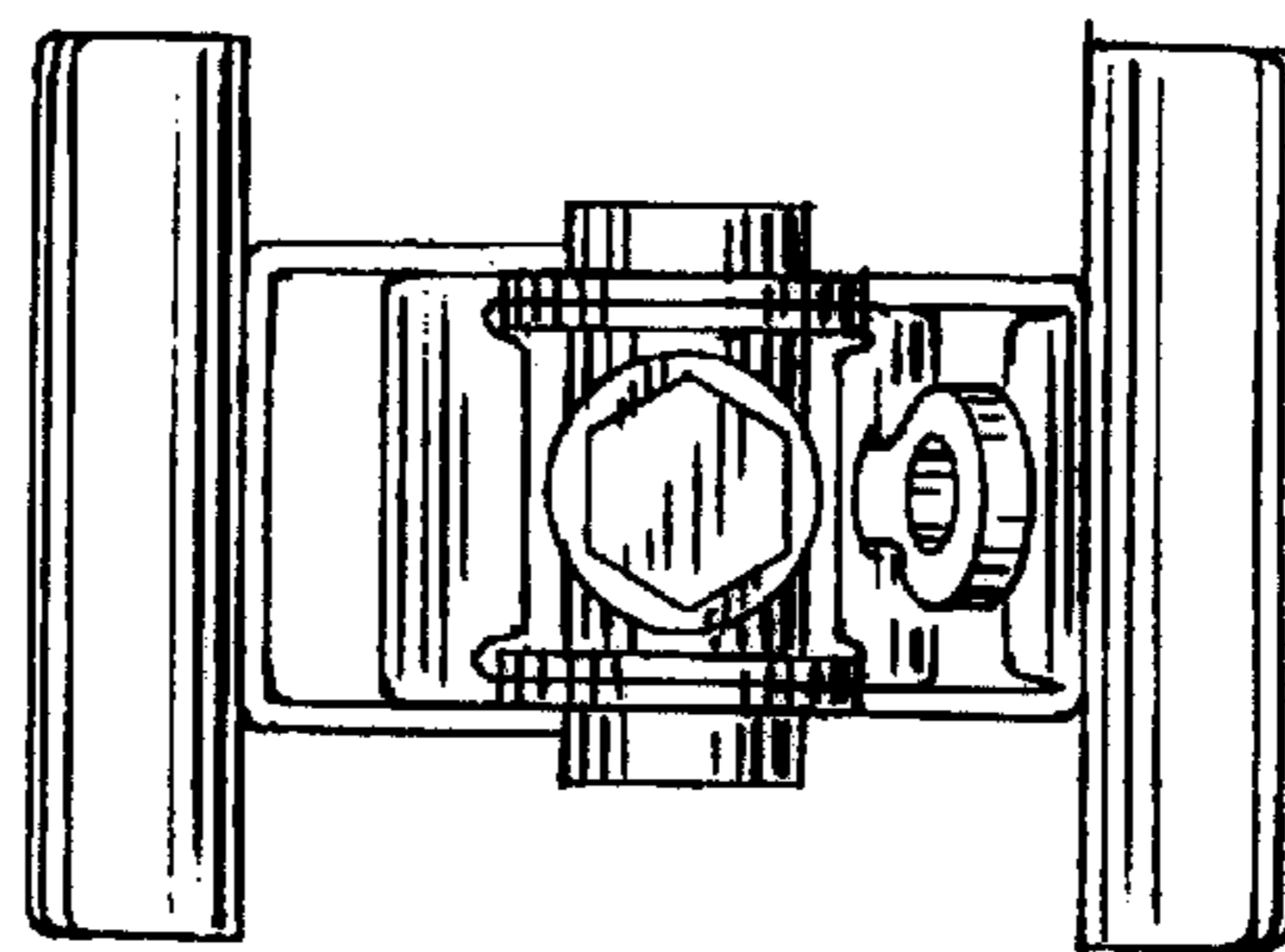


FIG. 3

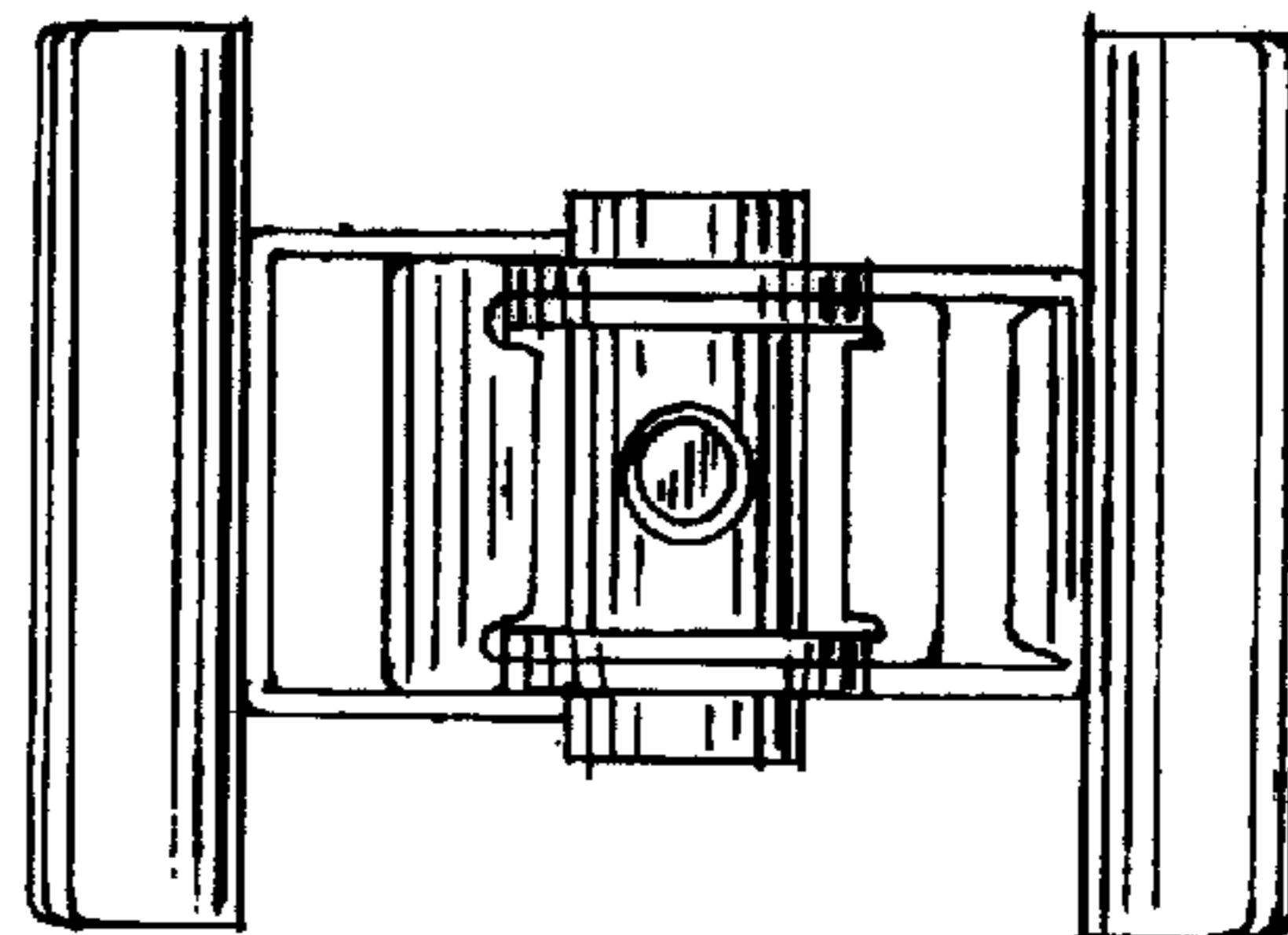


FIG. 4

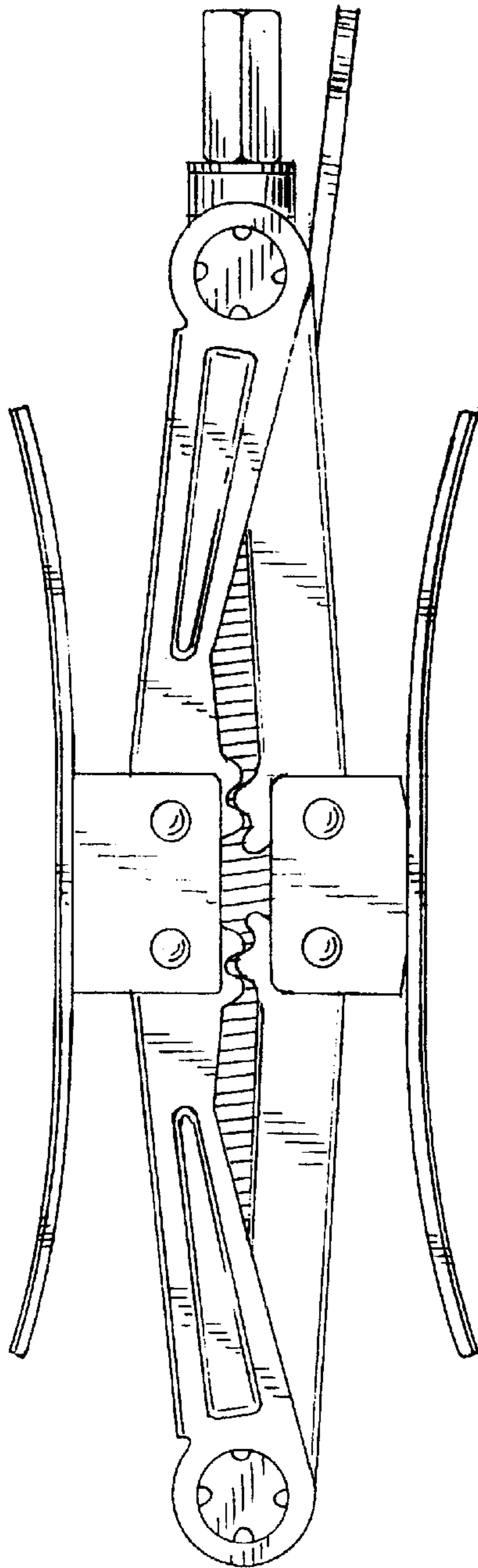


FIG. 5

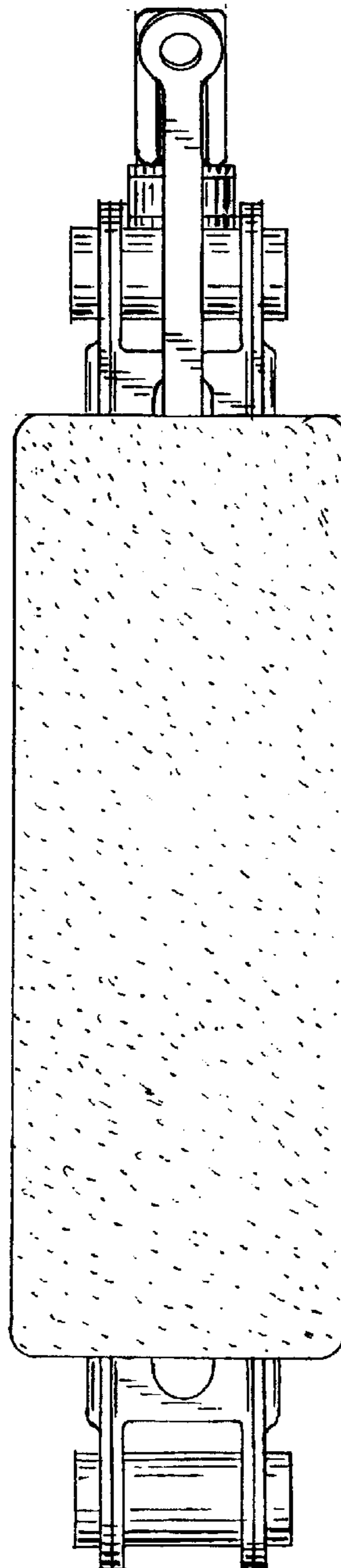


FIG. 6

