



US00D535175S

(12) **United States Design Patent**  
**Pido et al.**

(10) **Patent No.: US D535,175 S**

(45) **Date of Patent: \*\* Jan. 16, 2007**

(54) **TOILET ATTACHMENT**

(76) Inventors: **Pedro Q. Pido**, 1519-D Tunney Ct.,  
Key West, FL (US) 33040; **Ruth S.**  
**Pido**, 1519-D Tunney Ct., Key West,  
FL (US) 33040

(\*\*) Term: **14 Years**

(21) Appl. No.: **29/244,728**

(22) Filed: **Dec. 14, 2005**

(51) **LOC (8) Cl.** ..... **08-06**

(52) **U.S. Cl.** ..... **D8/307**

(58) **Field of Classification Search** ..... D8/300,  
D8/305, 307, 311; D23/311; 4/246.1, 231,  
4/237

See application file for complete search history.

(56) **References Cited**

**U.S. PATENT DOCUMENTS**

4,519,105	A	*	5/1985	Blanck	.....	4/246.1
D295,604	S	*	5/1988	Purdy	.....	D8/307
4,805,246	A	*	2/1989	De Vargas et al.	.....	4/246.1
D314,322	S	*	2/1991	Burghoff	.....	D8/307
D325,510	S		4/1992	Slye		
D326,599	S		6/1992	Callahan		
D329,186	S	*	9/1992	Sorensen	.....	D8/307
D369,085	S	*	4/1996	Barnett	.....	D8/307
5,553,332	A	*	9/1996	Hazard	.....	4/246.1

D406,884 S \* 3/1999 Goss ..... D23/311  
D440,642 S \* 4/2001 English et al. .... D8/307

\* cited by examiner

*Primary Examiner*—Paula A. Greene

(74) *Attorney, Agent, or Firm*—Richard C. Litman

(57) **CLAIM**

The ornamental design for a toilet attachment, as shown and described.

**DESCRIPTION**

FIG. 1 is a top plan view of a toilet attachment showing my new design;

FIG. 2 is a right side elevational view with the left side being a mirror image thereof;

FIG. 3 is a front elevational view thereof;

FIG. 4 is a rear elevational view thereof;

FIG. 5 is a reduced perspective view drawn for ease of illustration thereof,

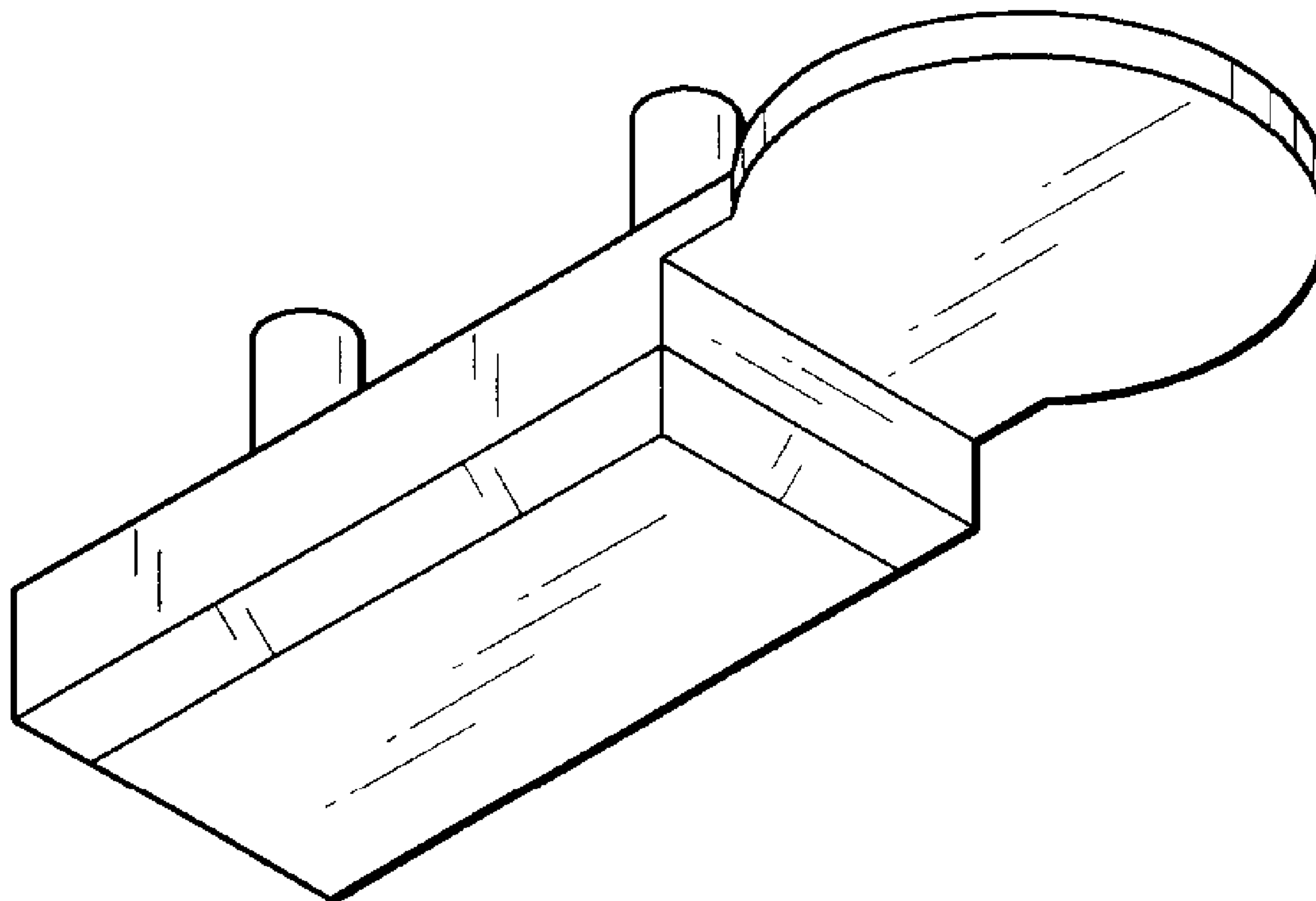
FIG. 6 is a top perspective view thereof; and,

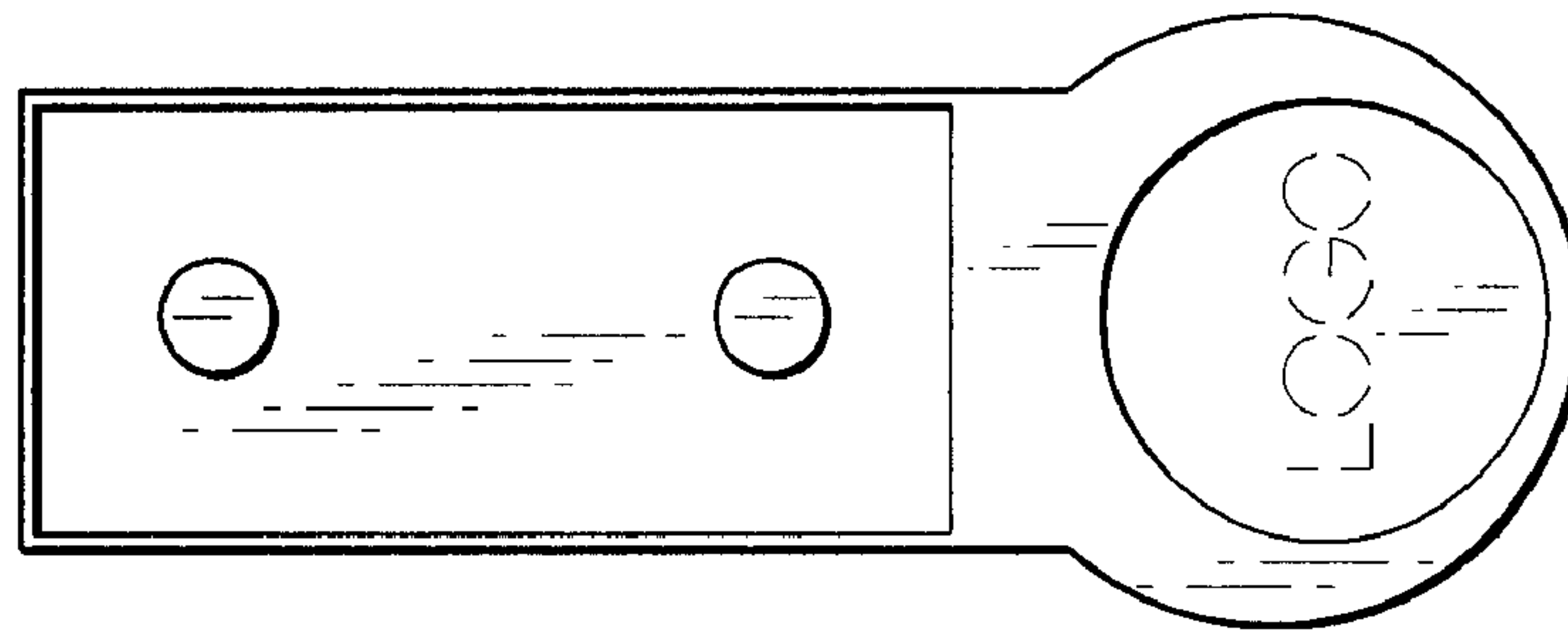
FIG. 7 is a bottom perspective view thereof.

The broken line showing of the toilet is for illustrative purposes only and forms no part of the claimed design. FIG. 5 is shown on a smaller scale for ease of illustration.

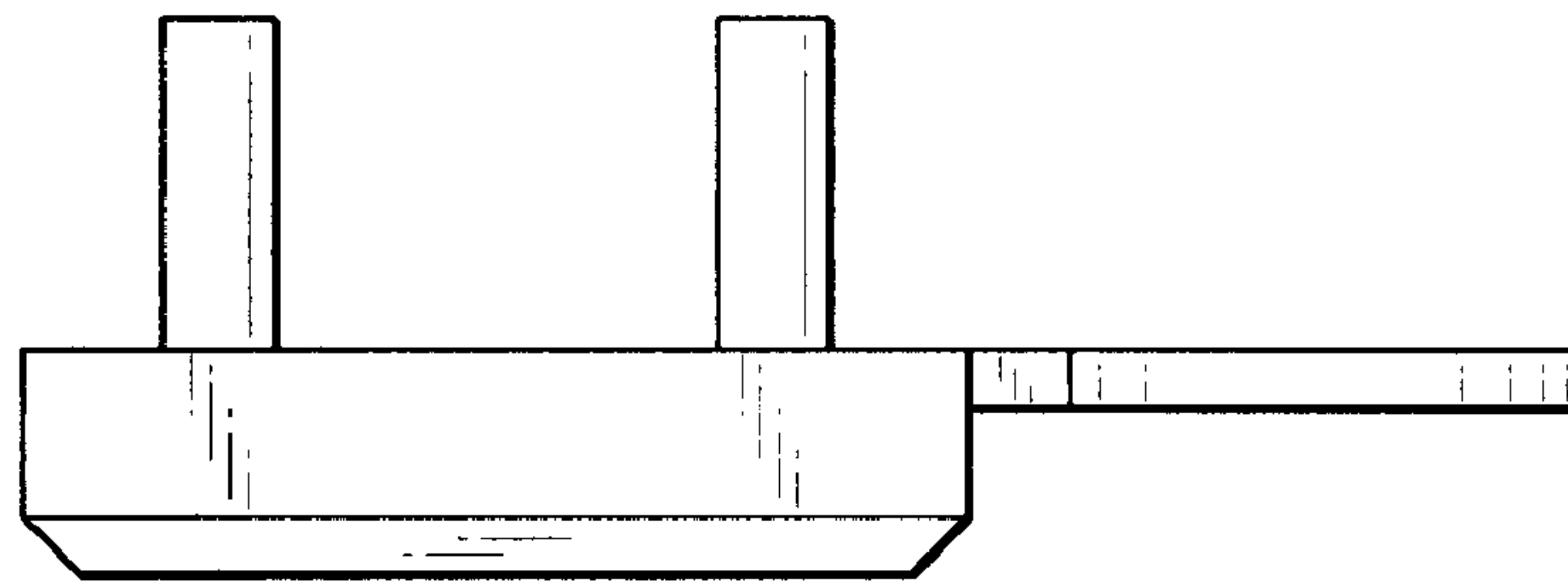
The broken line showing of the toilet in FIG. 5 and the word “logo” in FIGS. 1 and 6 is for illustrative purposes only and forms no part of the claimed design.

**1 Claim, 3 Drawing Sheets**

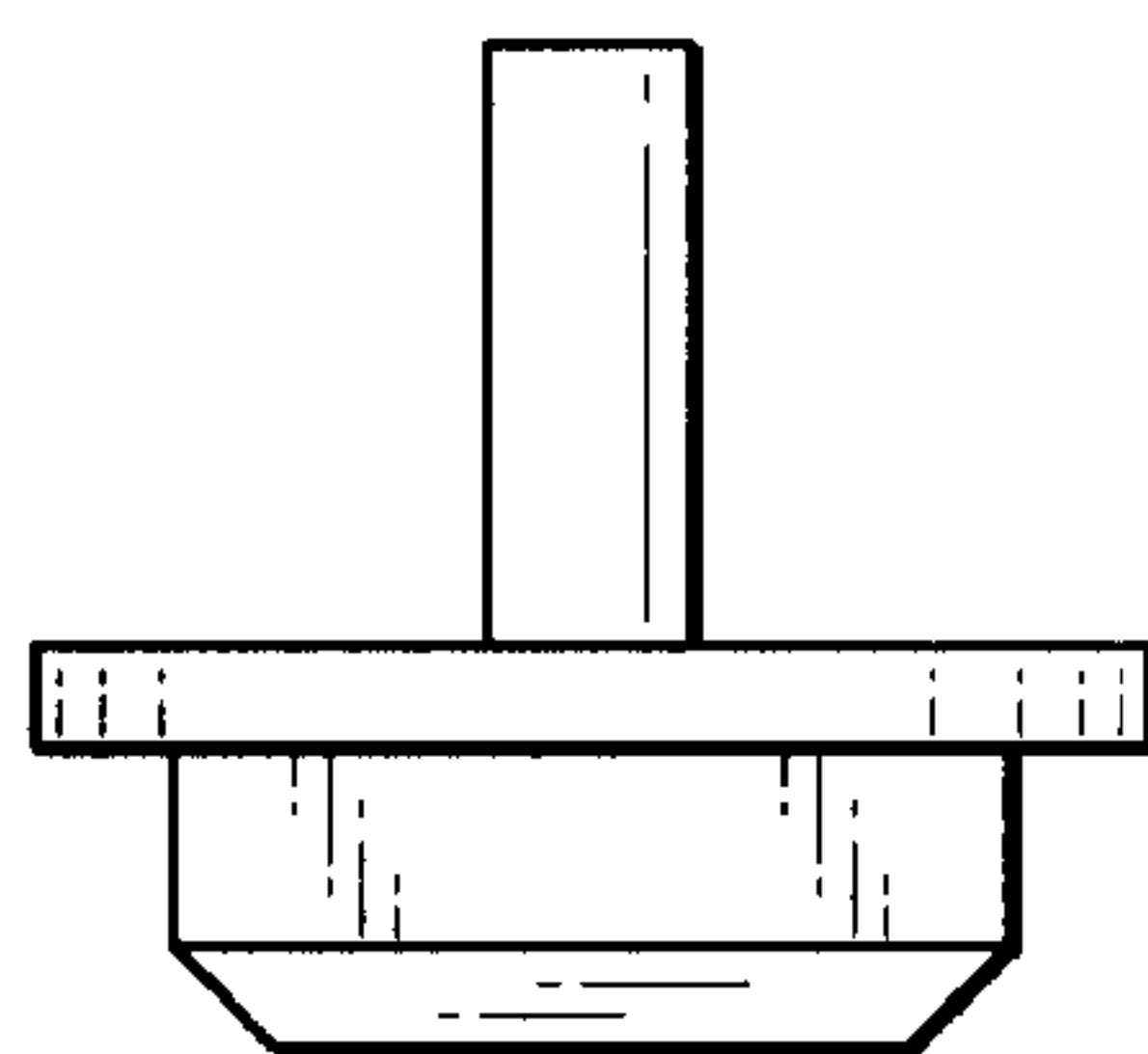




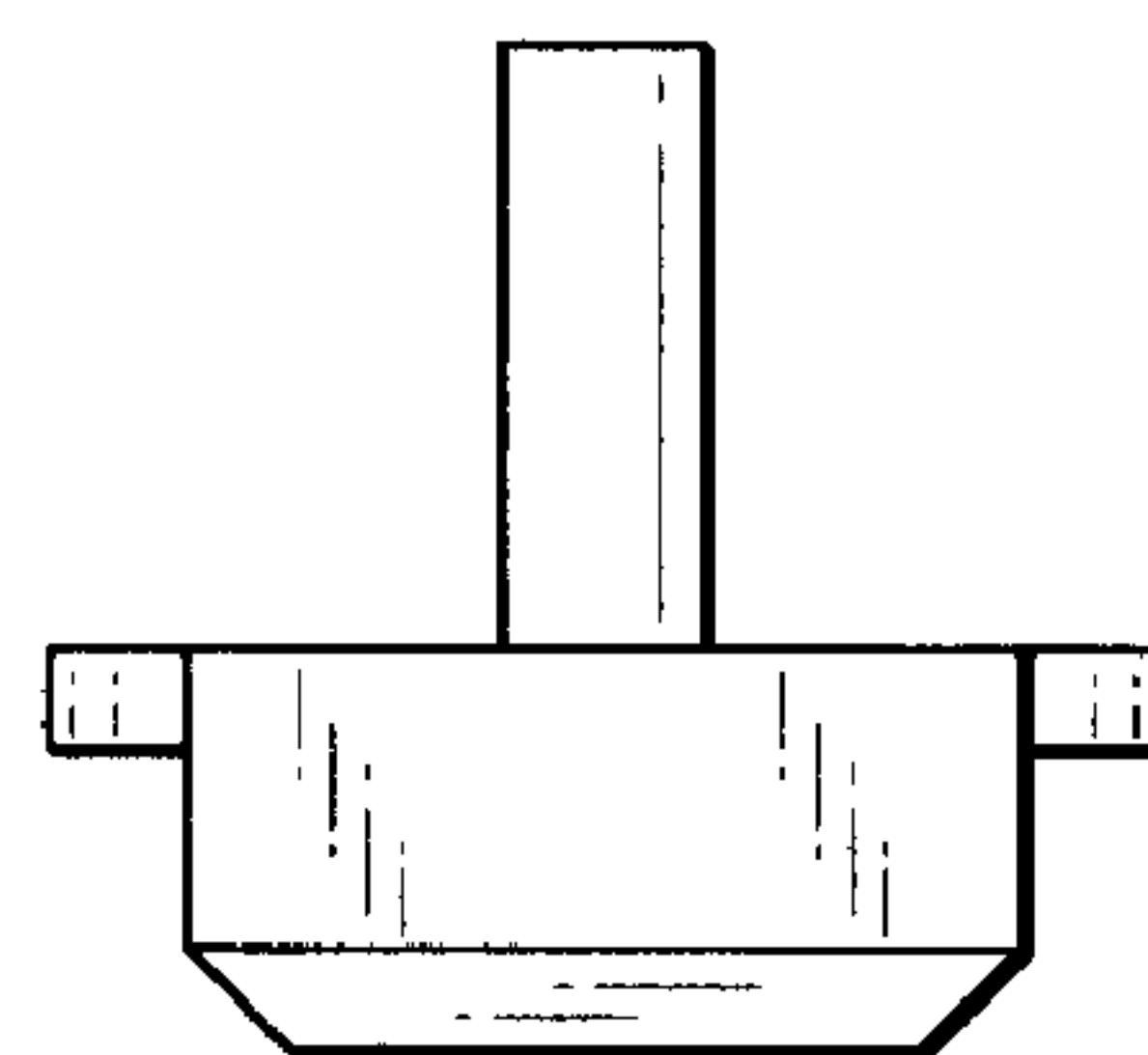
*Fig. 1*



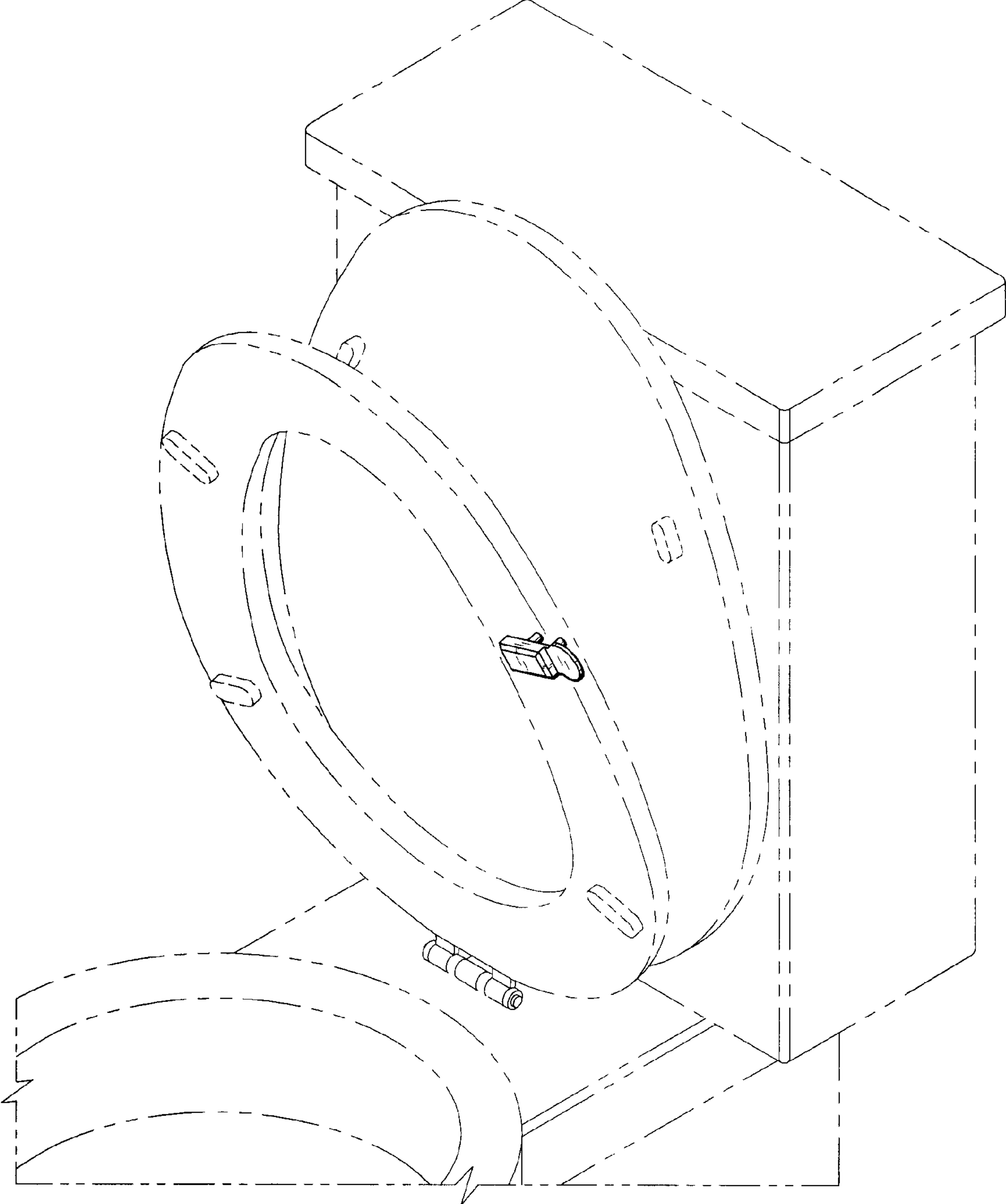
*Fig. 2*



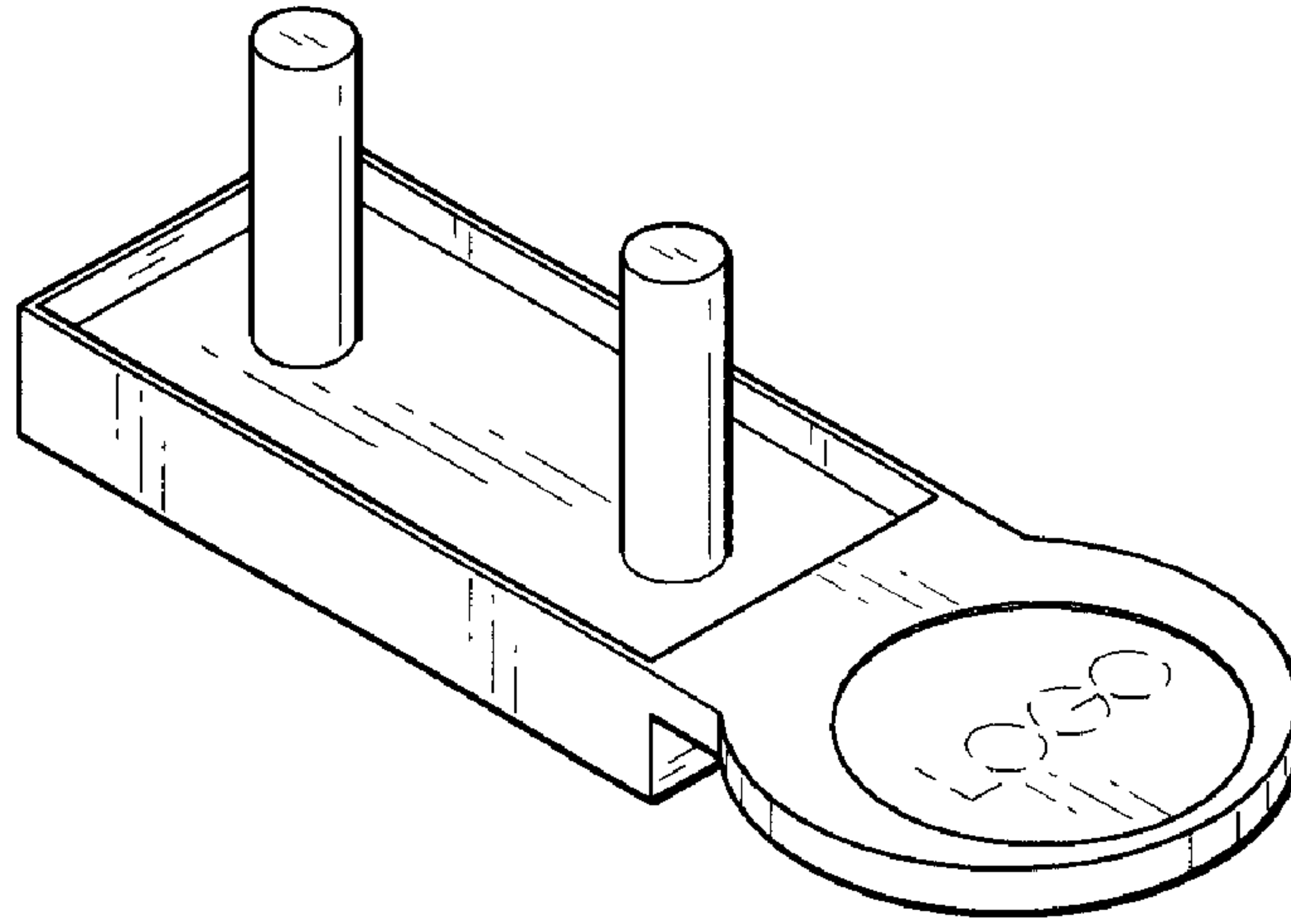
*Fig. 3*



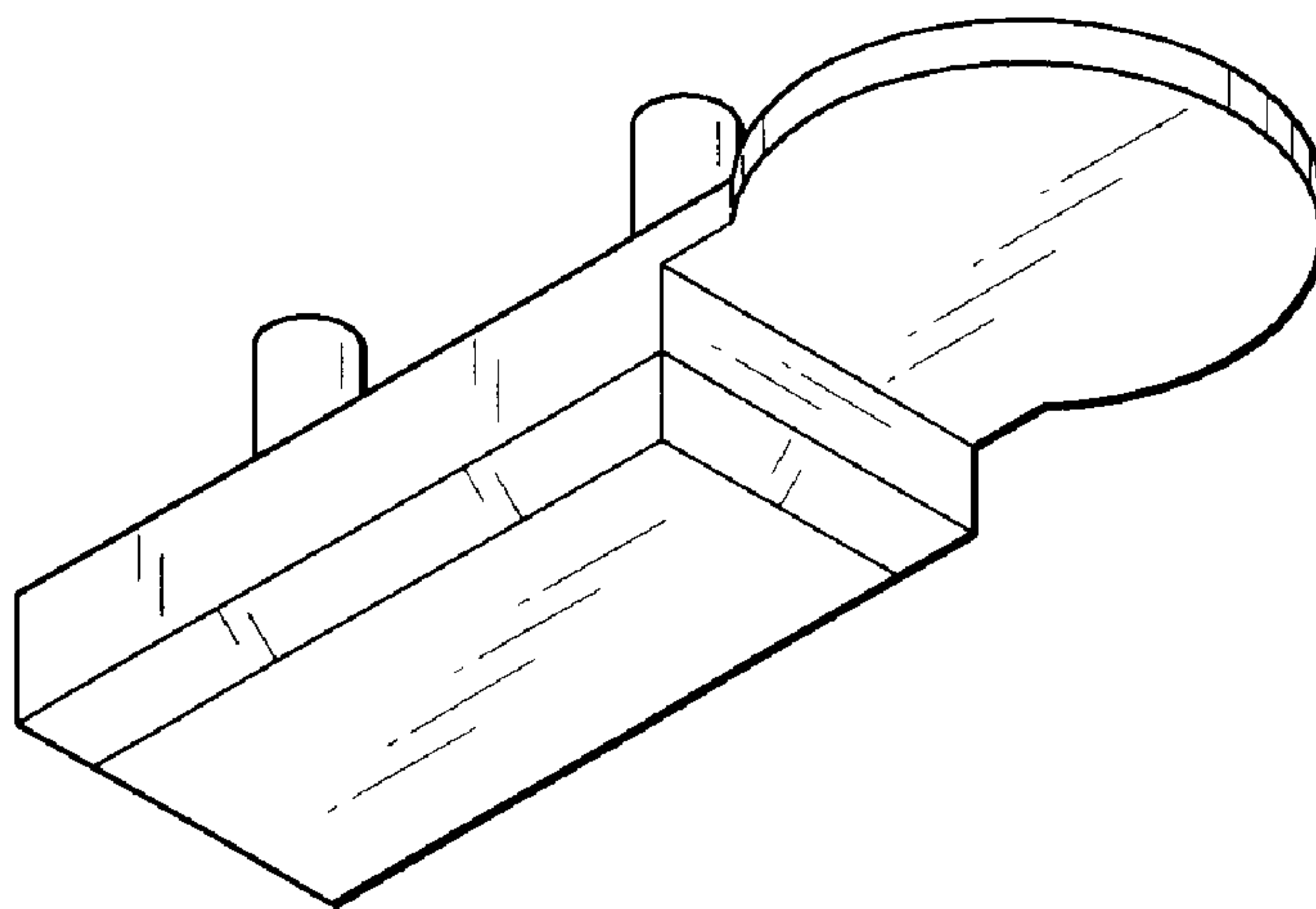
*Fig. 4*



*Fig. 5*



*Fig. 6*



*Fig. 7*