



US00D535168S

(12) **United States Design Patent**
Hattori

(10) **Patent No.:** **US D535,168 S**

(45) **Date of Patent:** **** Jan. 16, 2007**

(54) **STAPLER**

(75) Inventor: **Takeo Hattori**, Tokyo (JP)

(73) Assignee: **Max Co., Ltd.**, Tokyo (JP)

(**) Term: **14 Years**

(21) Appl. No.: **29/243,211**

(22) Filed: **Nov. 22, 2005**

(30) **Foreign Application Priority Data**

Jun. 21, 2005 (JP) 2005-017966

(51) **LOC (8) Cl.** **08-01**

(52) **U.S. Cl.** **D8/50**

(58) **Field of Classification Search** D8/49,
D8/50, 61; D19/72; 227/120, 127, 128, 131,
227/132, 134, 156, 7

See application file for complete search history.

(56) **References Cited**

U.S. PATENT DOCUMENTS

D101,889 S	*	11/1936	Rix	D8/98
D219,725 S	*	1/1971	Sano	D8/49
D319,377 S	*	8/1991	Sadashima et al.	D8/49
D331,000 S	*	11/1992	Doorley	D8/50
D332,732 S	*	1/1993	Matsuno	D8/50
D336,838 S	*	6/1993	Ishii	D8/50
5,222,645 A	*	6/1993	Sueda	227/7

6,068,173 A	*	5/2000	Sueda	227/7
D445,323 S	*	7/2001	Arns	D8/50
6,547,119 B1	*	4/2003	Huang	227/7
D475,905 S	*	6/2003	Kroger	D8/50
D503,321 S	*	3/2005	Harris	D8/50
2002/0166884 A1	*	11/2002	Luo	227/131

FOREIGN PATENT DOCUMENTS

JP 938170 10/1995

* cited by examiner

Primary Examiner—Cathron C. Brooks

Assistant Examiner—Austin Murphy

(74) *Attorney, Agent, or Firm*—Morgan, Lewis & Bockius LLP

(57) **CLAIM**

The ornamental design for a stapler, as shown and described.

DESCRIPTION

FIG. 1 is a perspective view of the front, left and top of a stapler showing my new design;

FIG. 2 is a front view thereof;

FIG. 3 is a rear view thereof;

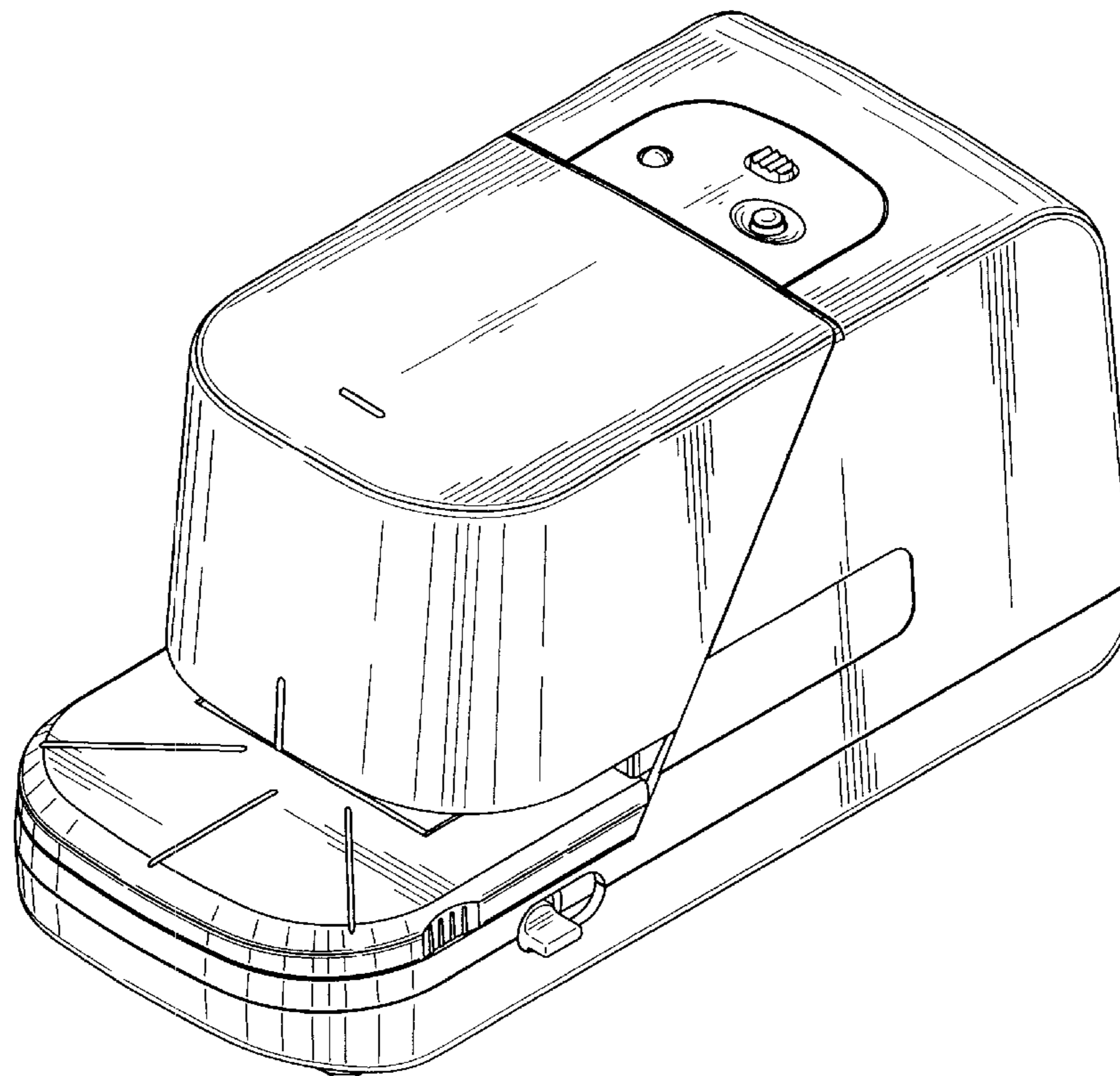
FIG. 4 is a right side view thereof;

FIG. 5 is a left side view thereof;

FIG. 6 is a top plan view thereof; and,

FIG. 7 is a bottom view thereof.

1 Claim, 4 Drawing Sheets



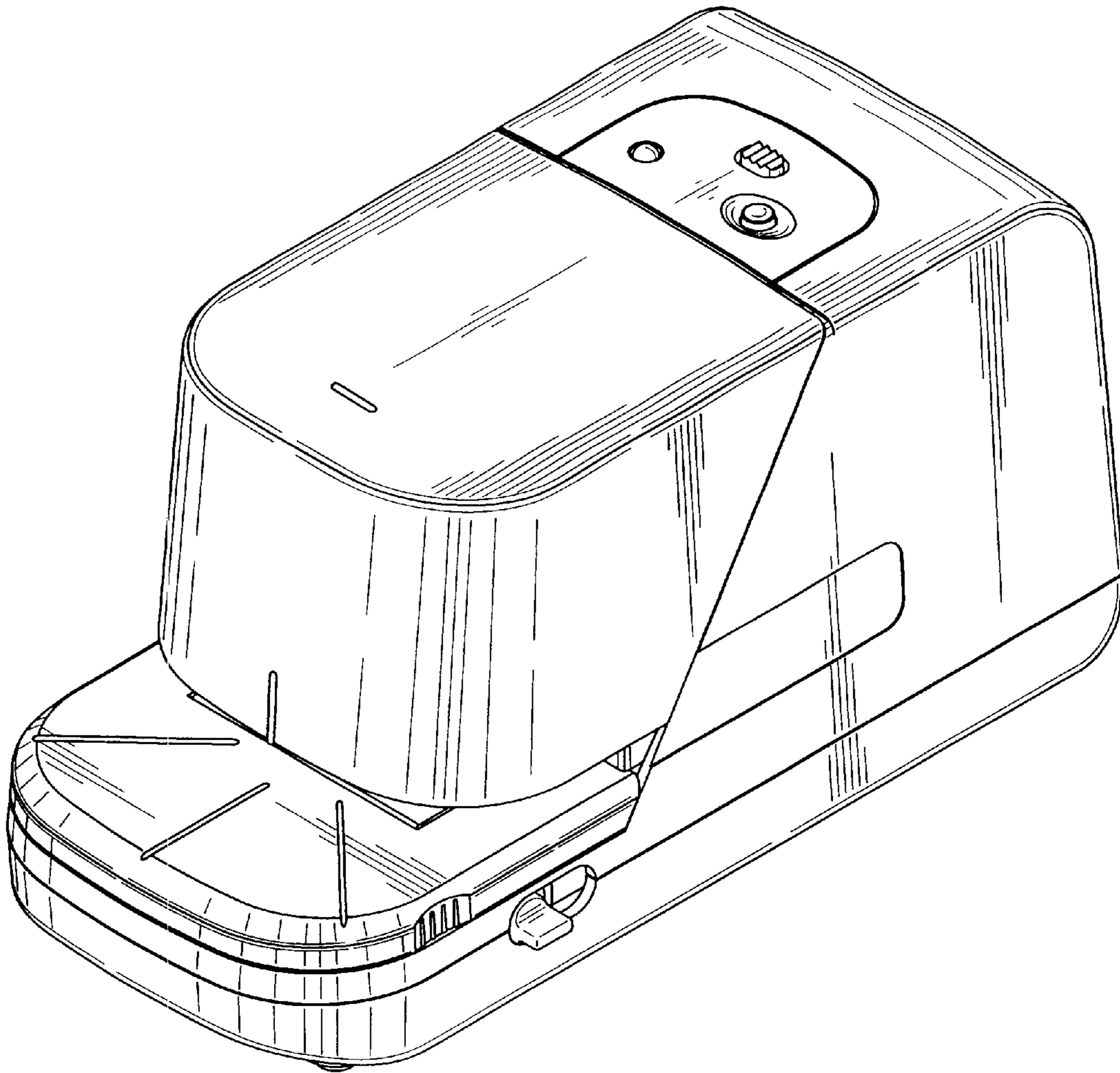


FIG. 1

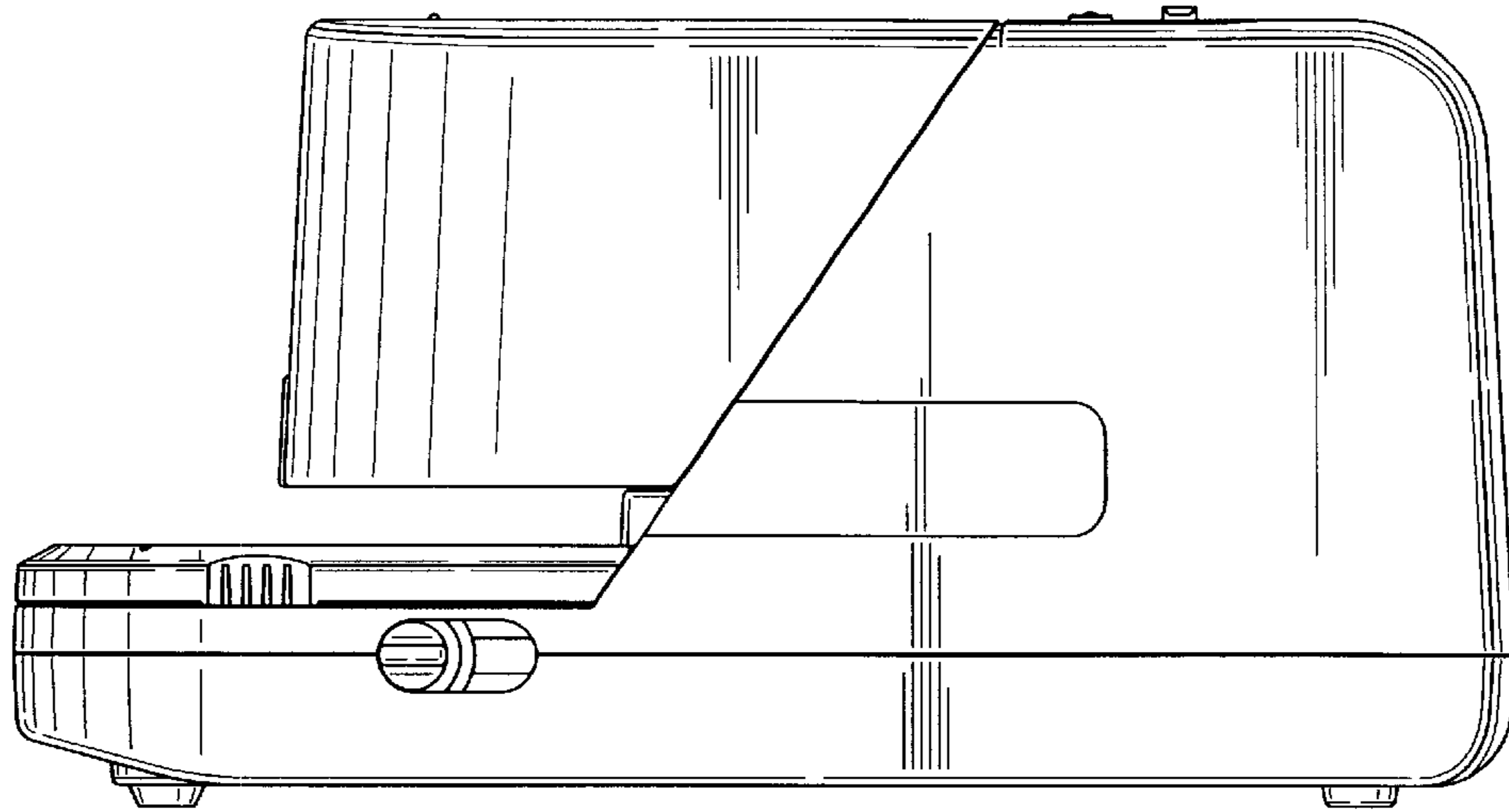


FIG. 2

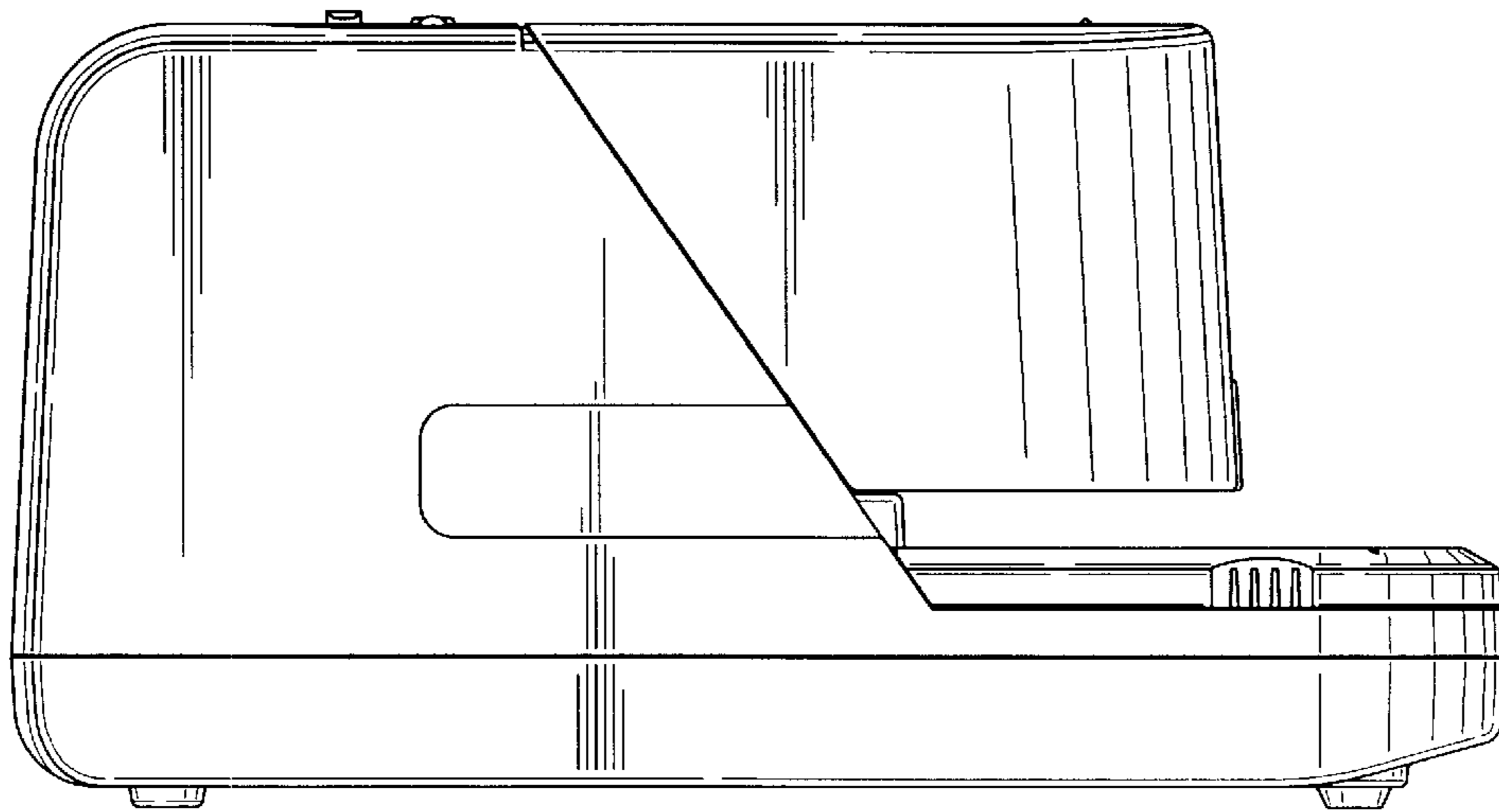


FIG. 3

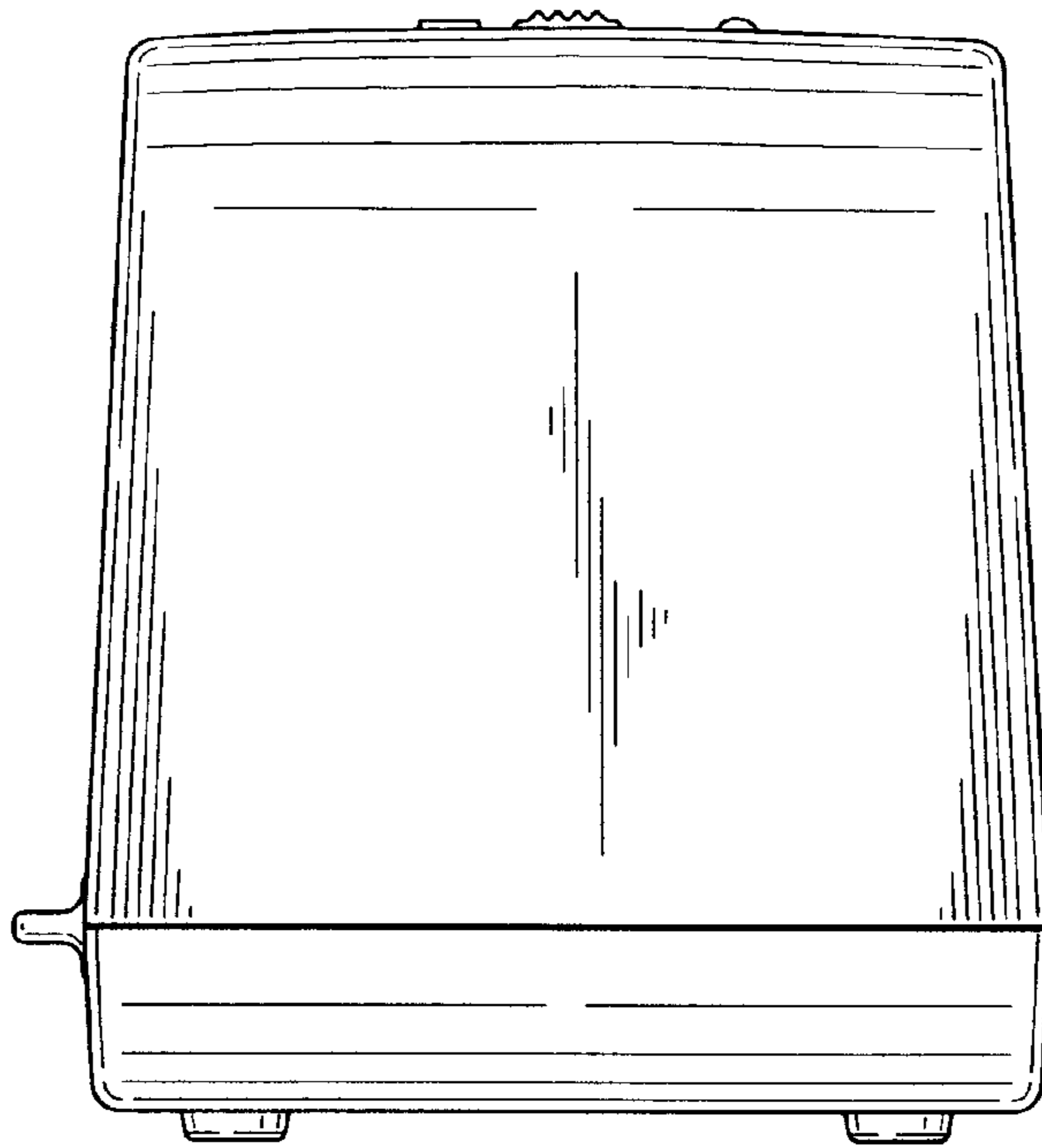


FIG. 4

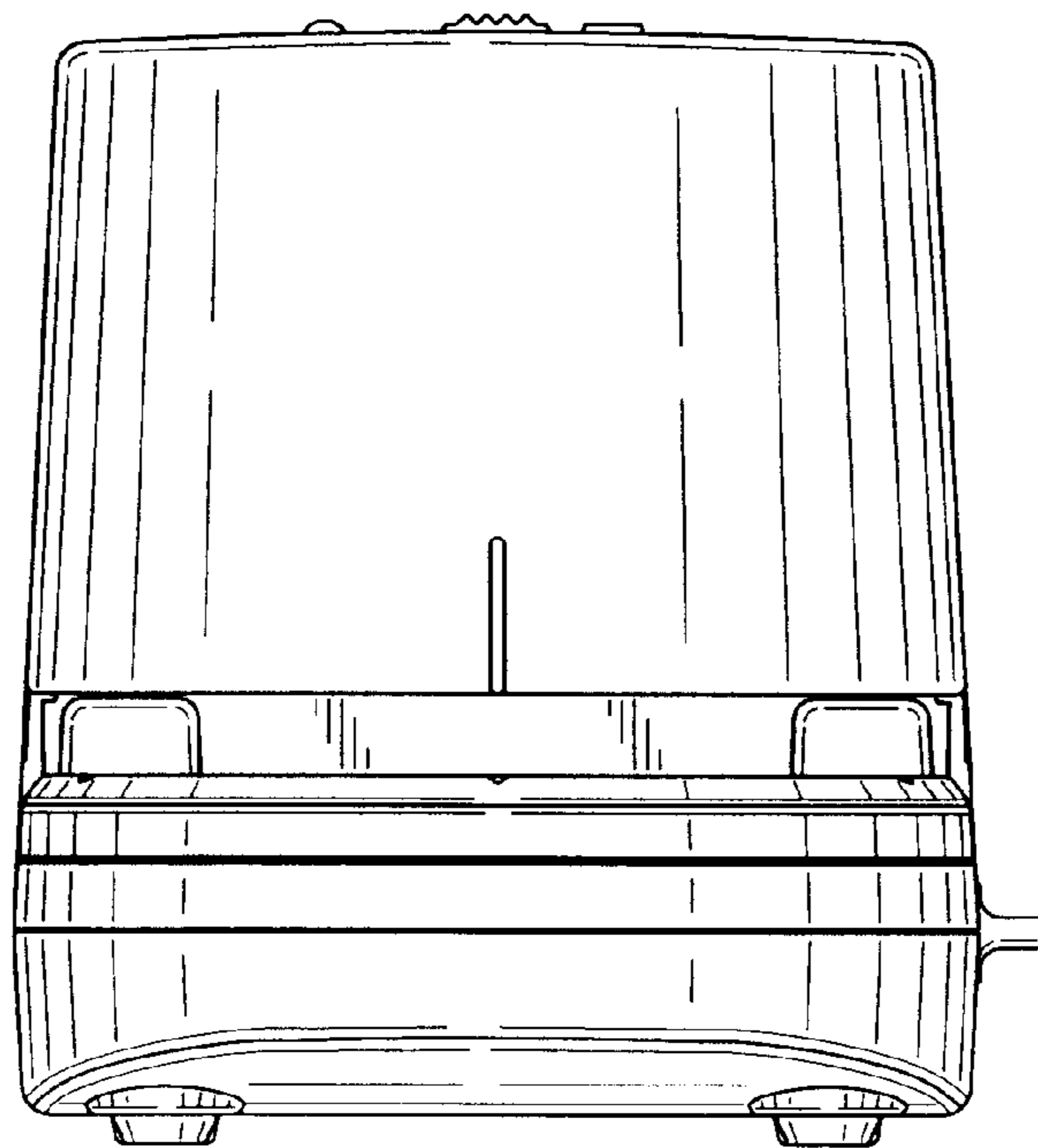


FIG. 5

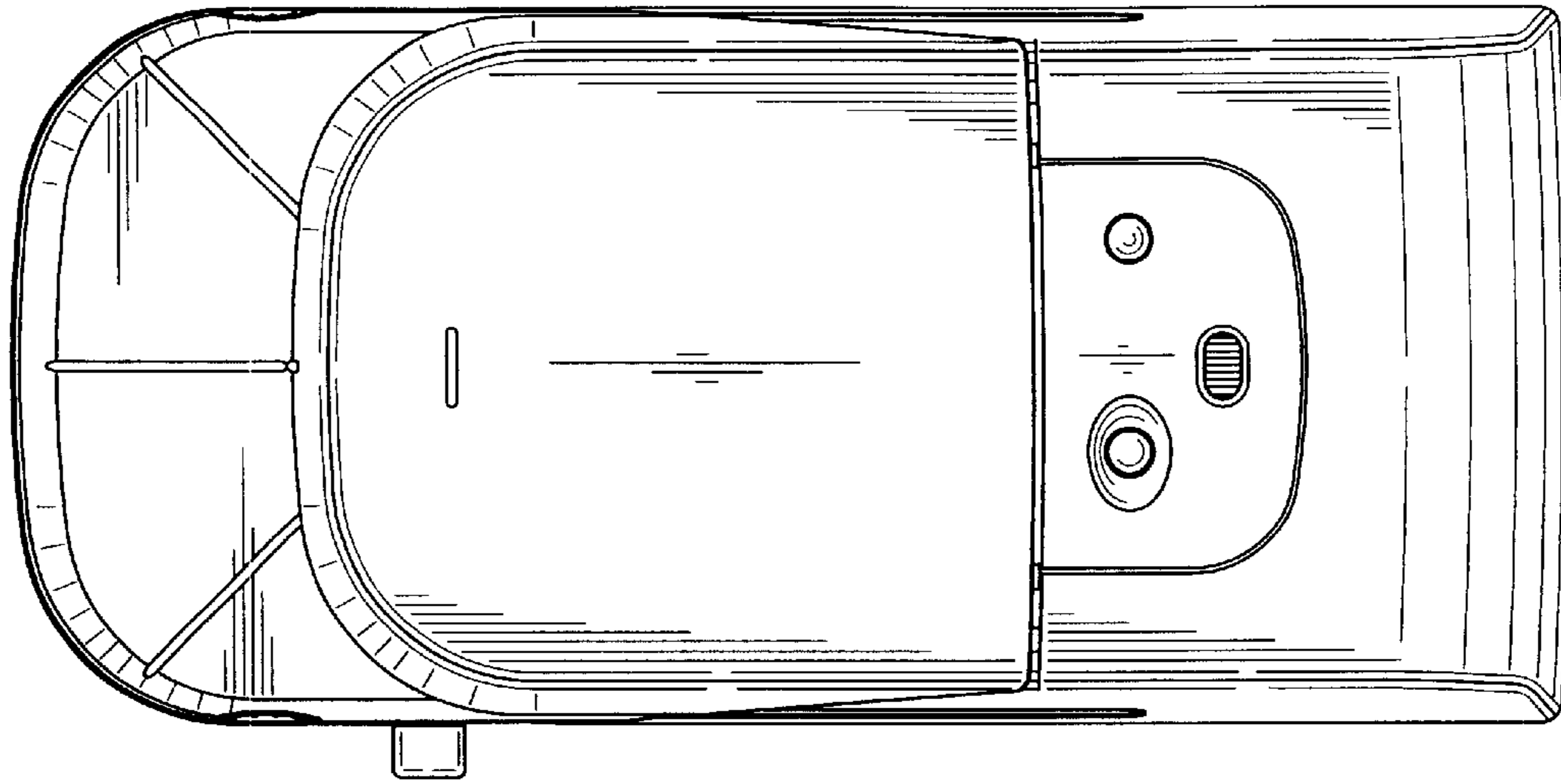


FIG. 6

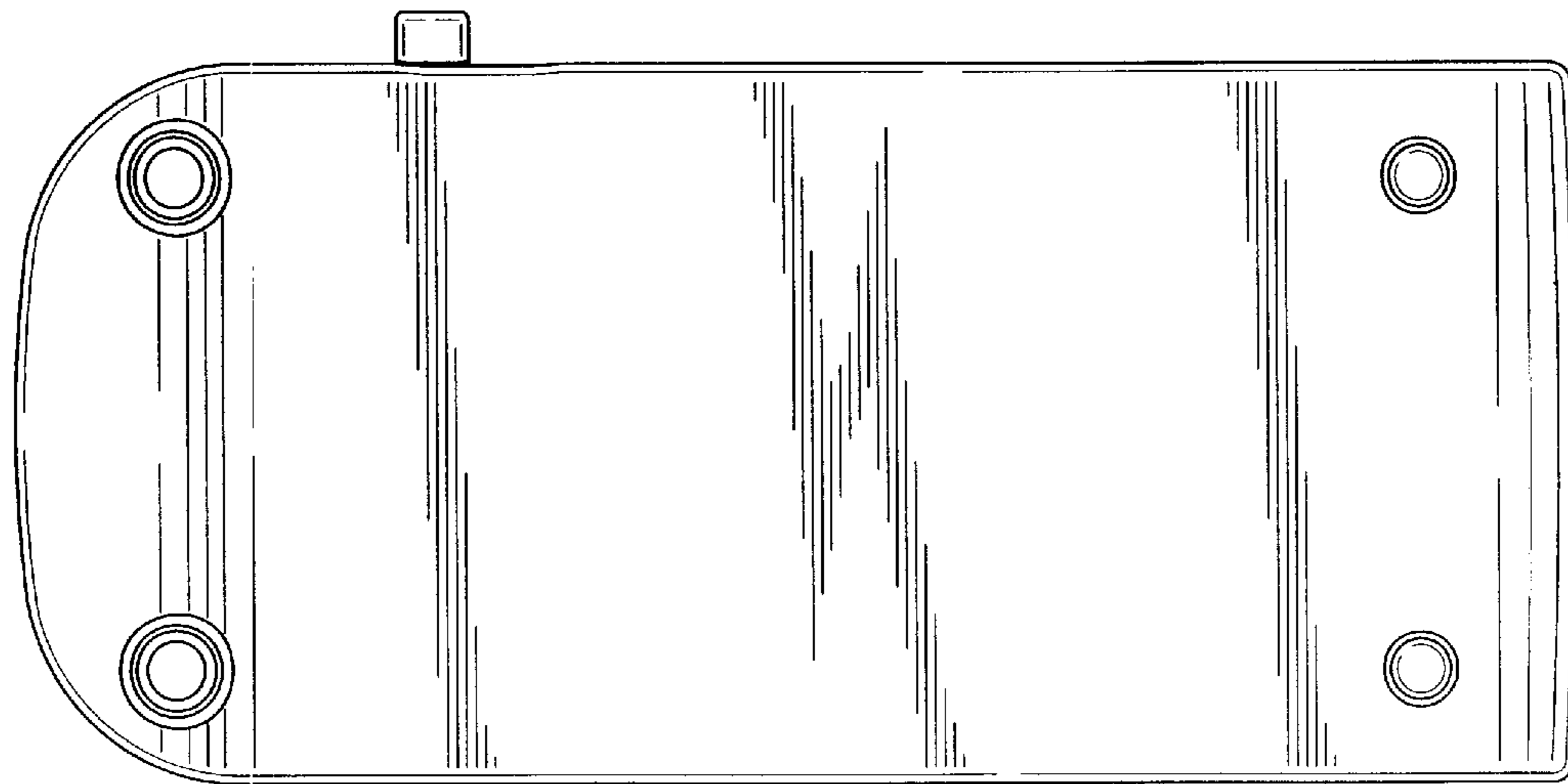


FIG. 7