



US00D535165S

(12) **United States Design Patent**
McAnally

(10) **Patent No.:** **US D535,165 S**

(45) **Date of Patent:** **** Jan. 16, 2007**

(54) **HANDLE FOR ADJUSTING LOUVERS**

(76) Inventor: **David Keith McAnally**, 810 E. 8th St.,
Rector, AR (US) 72461

(**) Term: **14 Years**

(21) Appl. No.: **29/231,048**

(22) Filed: **Jun. 1, 2005**

Related U.S. Application Data

(63) Continuation-in-part of application No. 29/193,389, filed on
Nov. 10, 2003, now Pat. No. Des. 510,241.

(51) **LOC (8) Cl.** **08-05**

(52) **U.S. Cl.** **D8/14**

(58) **Field of Classification Search** D8/14;
81/53.11, 53.1, 53.12

See application file for complete search history.

(56) **References Cited**

U.S. PATENT DOCUMENTS

4,911,039 A * 3/1990 Lubbock et al. 81/53.1

D320,336 S * 10/1991 Johansson D8/311

5,983,455 A * 11/1999 Polzin et al. 16/429

6,009,779 A * 1/2000 Mastroni 81/438

6,461,074 B1 * 10/2002 Taylor 403/378

D498,657 S * 11/2004 Milrud et al. D8/311

* cited by examiner

Primary Examiner—Holly H. Baynham

(74) *Attorney, Agent, or Firm*—Stephen D. Carver

(57) **CLAIM**

The ornamental design for a handle for adjusting louvers, as
shown and described.

DESCRIPTION

FIG. 1 is a front elevational view of my handle, with
portions thereof broken away to indicate indeterminate
length;

FIG. 2 is a right side elevational view, with portions thereof
broken away to indicate indeterminate length;

FIG. 3 is a left side elevational view, with portions thereof
broken away to indicate indeterminate length;

FIG. 4 is an enlarged, bottom plan view; and,

FIG. 5 is an enlarged top plan view.

1 Claim, 5 Drawing Sheets

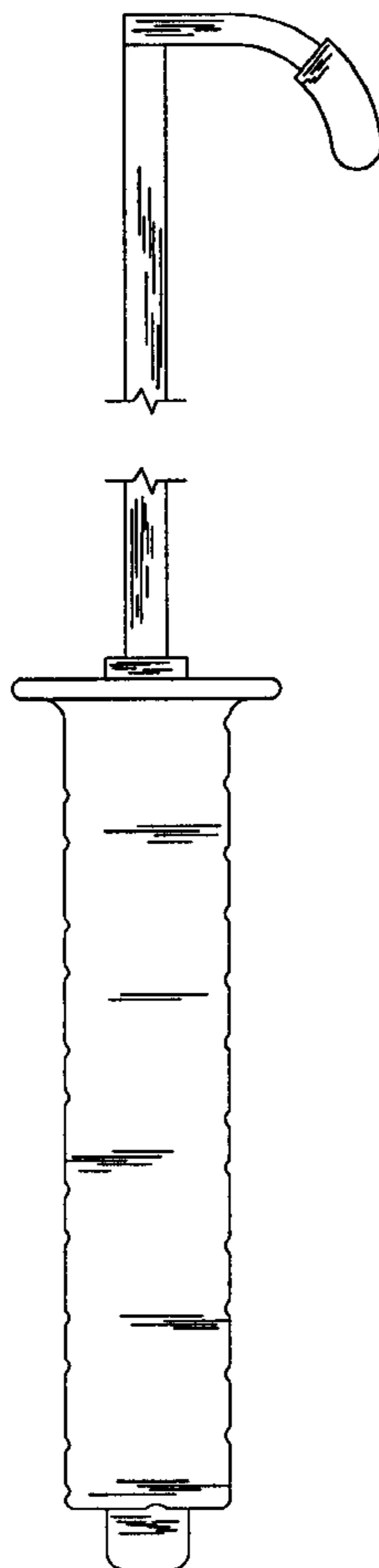


Fig. 1

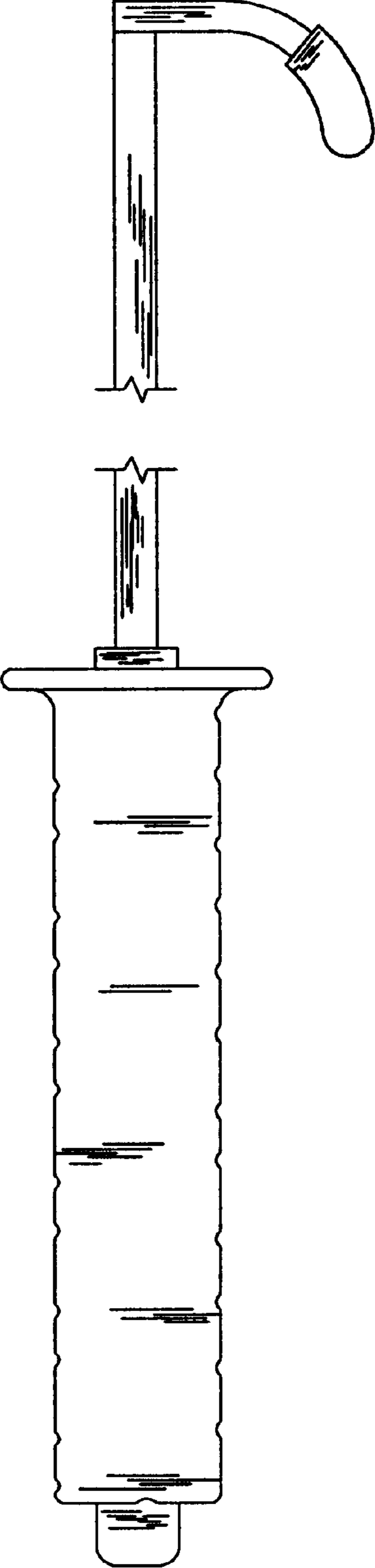


Fig. 2

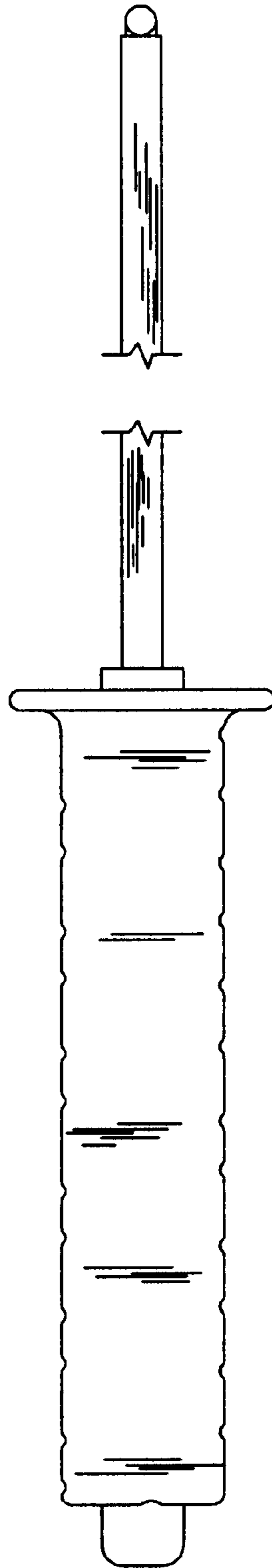


Fig. 3

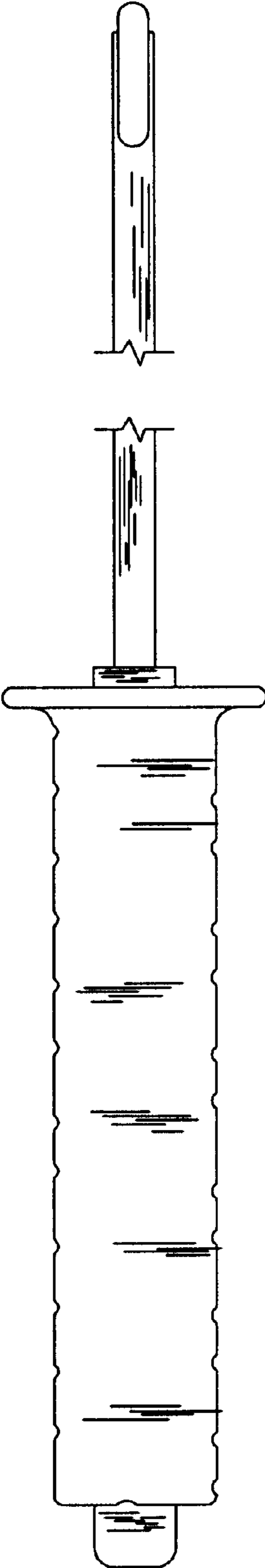


Fig. 4

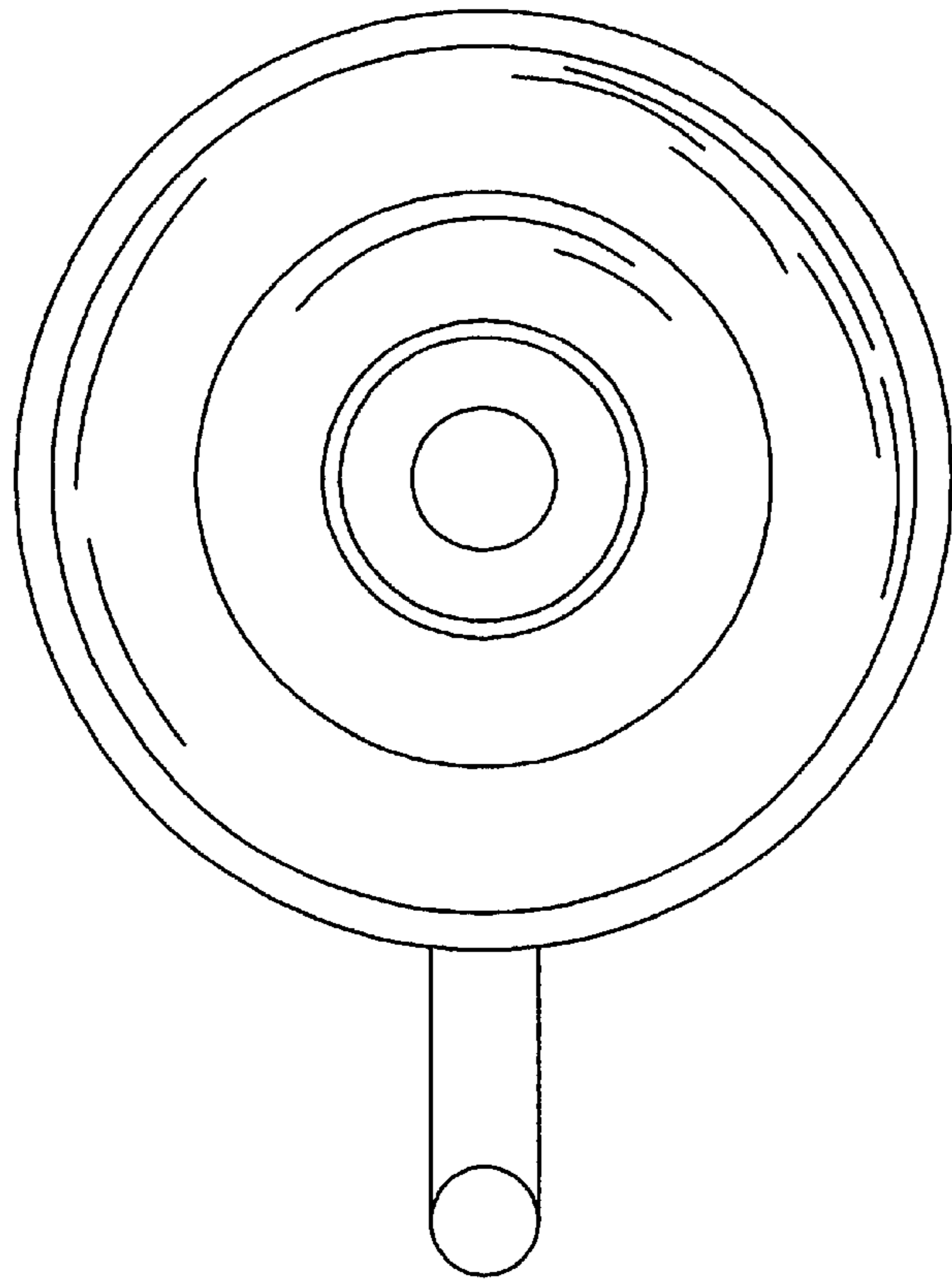


Fig. 5

